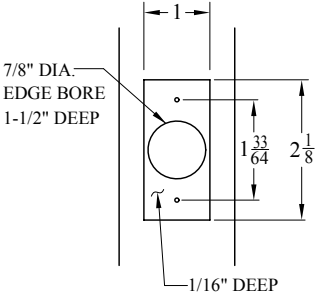
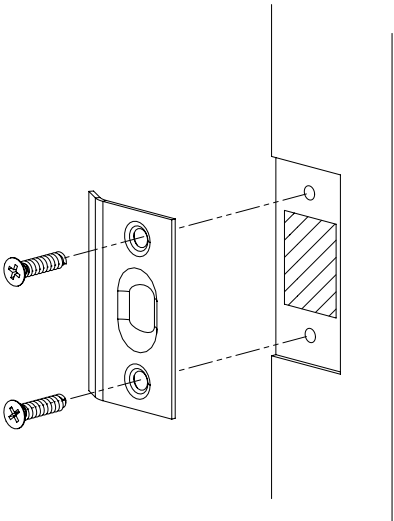
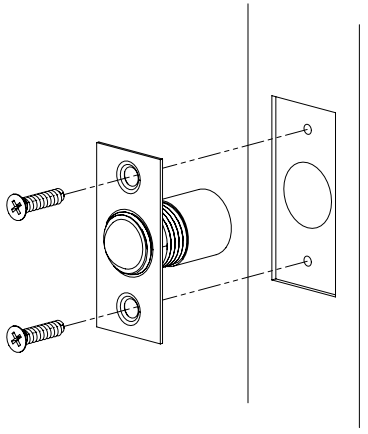
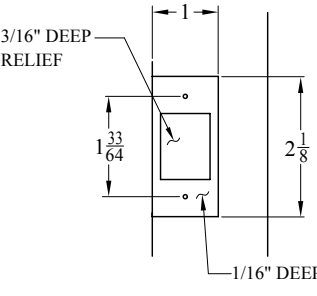


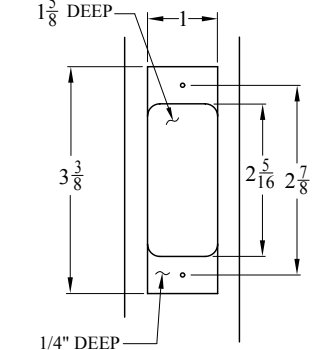
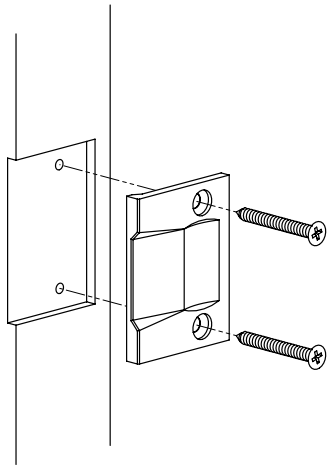
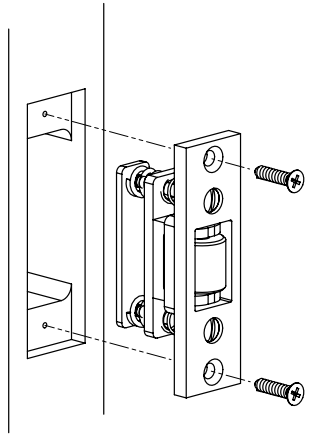
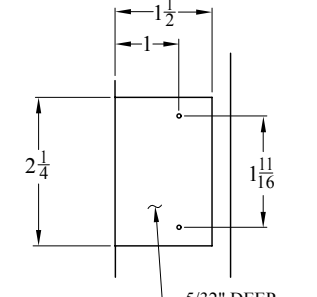
# Installation Guide - Ball Catch

EMTEK®

Door Prep	Install Strike Plate	Install Ball Catch
 <p>7/8" DIA. EDGE BORE 1-1/2" DEEP</p> <p>1"    2 1/8"</p> <p>1 33/64"</p> <p>1/16" DEEP</p>	<p data-bbox="602 275 899 306">Install Strike Plate</p> 	<p data-bbox="1159 275 1430 306">Install Ball Catch</p> 
Door Jamb Prep		
 <p>3/16" DEEP RELIEF</p> <p>1"    2 1/8"</p> <p>1 33/64"</p> <p>1/16" DEEP</p>		

# Installation Instructions - Roller Catch

EMTEK®

Door Prep	Install Strike Plate	Install Roller Catch
 <p>1 5/8" DEEP</p> <p>1"    2 7/8"</p> <p>3 3/8"</p> <p>2 5/16"</p> <p>1/4" DEEP</p>	<p data-bbox="493 1205 790 1236">Install Strike Plate</p> 	<p data-bbox="1057 1205 1354 1236">Install Roller Catch</p> 
Door Jamb Prep		
 <p>1 1/2"    1"</p> <p>2 1/4"    1 1/16"</p> <p>5/32" DEEP</p>		