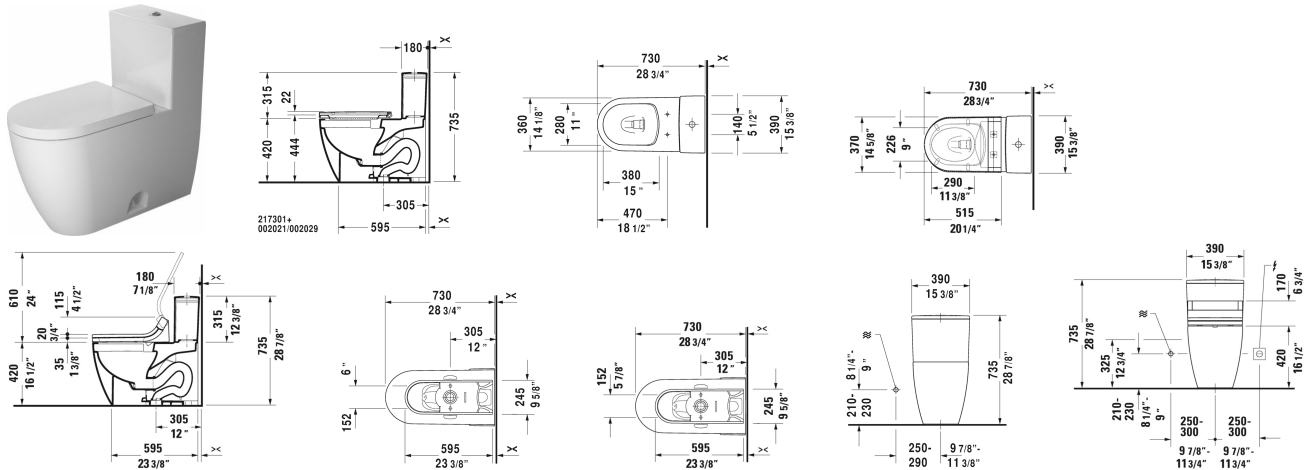


ME by Starck One-Piece toilet Duravit Rimless® # 217301..01 / 217301..01 / 217301..85 / 217301..85

< 14 1/8" Inch >



One-Piece toilet Duravit Rimless®	Dimension	Weight	Order number
rimless, syphonic, 12" rough-in, suitable for SensoWash Starck, vertical outlet, WaterSense® listed, cUPC® listed*			
Colors			
00 White 20 HygieneGlaze (an antibacterial ceramic glaze that provides almost indefinite effectiveness)			
Variant			
◆ 1.32/0.92 gpf, ADA height, with dual flush piston valve, top flush	14 1/8" x 28 3/4" Inch	141 lb	217301..01
◆ 1.32/0.92 gpf, ADA height, with dual flush piston valve, top flush	14 1/8" x 28 3/4" Inch	141 lb	217301..01
◆ 1.28 gpf, with single flush piston valve, top flush, ADA height	14 1/8" x 28 3/4" Inch	141 lb	217301..85
◆ 1.28 gpf, with single flush piston valve, top flush, ADA height	14 1/8" x 28 3/4" Inch	141 lb	217301..85
Infobox			
For suitable SensoWash® shower-toilet seats, please see matrix on page xxx, * Complies with following standards: ASME A112.19.2/CSA B45.1			
Mounting set for One-Piece and Two-Piece toilets, outlet 3/8" - male thread, wall connection 1/2" - female thread, 1/2", North American version	17 3/4" Inch	1.1 lb	001417
Suitable products			

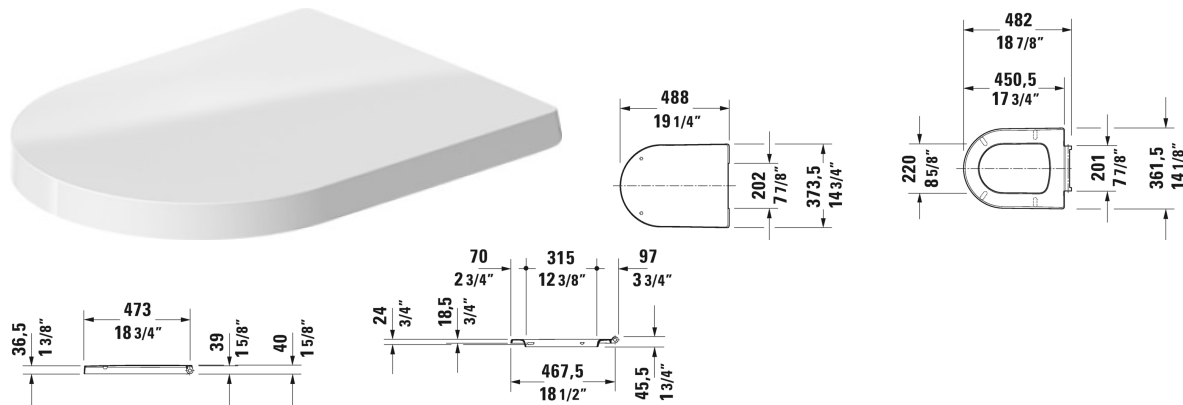
ME by Starck One-Piece toilet Duravit Rimless® # 217301..01 / 217301..01 / 217301..85 / 217301..85

|< 14 1/8" Inch >|

<p>SensoWash® Starck shower-toilet seat for Starck 2, Starck 3 and Darling New* Rear-, Lady- and Comfortwash, individual adjustment of water-, air- and seat surface temperature as well as nozzle position and jet strength, power actuated lid and seat, night light, 2 individually programmable user profiles, remote control included, self-cleaning wand, on / off-button, Quick release: easy seat unit removal and attachment, 14 5/8" x 20 1/4" Inch</p>	14 5/8" x 20 1/4" Inch	610000
<p>Toilet seat ring elongated, open front, hinges plastic, without slow close,</p>		006431
<p>Toilet seat ring elongated, open front, hinges plastic, with slow close,</p>		006439
<p>Toilet seat and cover elongated, hinges stainless steel, without slow close,</p>		002021
<p>Toilet seat and cover elongated, hinges stainless steel, removable, with slow close,</p>		002029

All drawings contain the necessary measurements which are subject to standard tolerances. They are stated in inch & mm and are non-binding. Exact measurements, in particular for customized installation scenarios, can only be taken from the finished ceramic piece.

ME by Starck Toilet seat and cover # 0020290000



Toilet seat and cover	Dimension	Weight	Order number
elongated, hinges stainless steel, removable, with slow close			
Colors			
00 White			
Variant			
		4.9 lb	0020290000
Suitable products			
Two-Piece toilet (without tank), vertical outlet, 12" rough-in, cUPC® listed*, WaterSense® listed, syphonic, 14 1/8" x 28" Inch	14 1/8" x 28" Inch		217101
One-Piece toilet Duravit Rimless® rimless, syphonic, 12" rough-in, suitable for SensoWash Starck, vertical outlet, WaterSense® listed, cUPC® listed*, 14 1/8" x 28 3/4" Inch	14 1/8" x 28 3/4" Inch		217301
One-Piece toilet Duravit Rimless® rimless, syphonic, 12" rough-in, vertical outlet, cUPC® listed*, WaterSense® listed, 14 1/8" x 28 3/4" Inch	14 1/8" x 28 3/4" Inch		218501
One-Piece toilet Duravit Rimless® rimless, syphonic, 12" rough-in, vertical outlet, 14 1/8" x 28 3/4" Inch	14 1/8" x 28 3/4" Inch		201301

All drawings contain the necessary measurements which are subject to standard tolerances. They are stated in inch & mm and are non-binding. Exact measurements, in particular for customized installation scenarios, can only be taken from the finished ceramic piece.