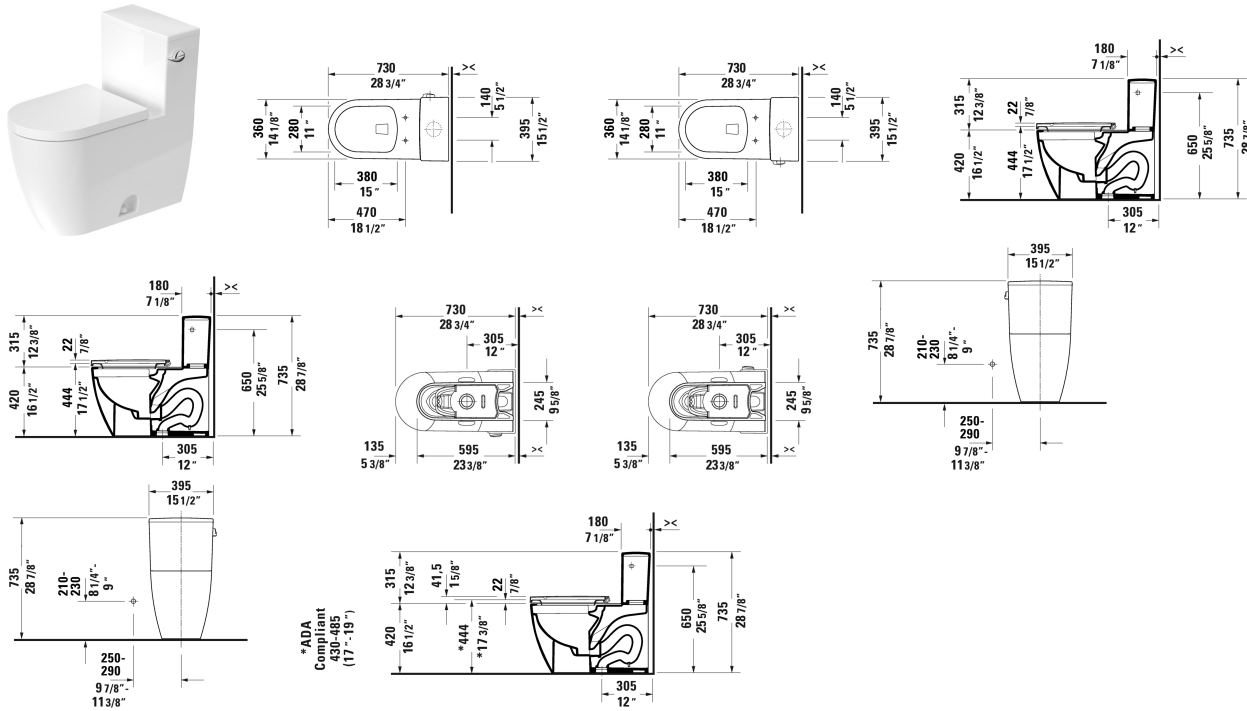



ME by Starck One-Piece toilet Duravit Rimless® # 218501..02
/ 218501..02 / 218501..82 / 218501..82

< 14 1/8" Inch >



One-Piece toilet Duravit Rimless®	Dimension	Weight	Order number
rimless, syphonic, 12" rough-in, vertical outlet, cUPC® listed*, WaterSense® listed			
Colors			
00 White 20 HygieneGlaze (an antibacterial ceramic glaze that provides almost indefinite effectiveness)			
Variant			
◆ 1.28 gpf, with single flush mechanism with side lever left	14 1/8" x 28 3/4 Inch	147.7 lb	218501..02
◆ 1.28 gpf, with single flush mechanism with side lever left	14 1/8" x 28 3/4 Inch	147.7 lb	218501..02
◆ 1.28 gpf, with single flush mechanism with side lever right	14 1/8" x 28 3/4 Inch	147.7 lb	218501..82
◆ 1.28 gpf, with single flush mechanism with side lever right	14 1/8" x 28 3/4 Inch	147.7 lb	218501..82
Infobox			
* Complies with following standards: ASME A112.19.2/CSA B45.1			
Mounting set for One-Piece and Two-Piece toilets, outlet 3/8" - male thread, wall connection 1/2" - female thread, 1/2", North American version	17 3/4 Inch	1.1 lb	001417

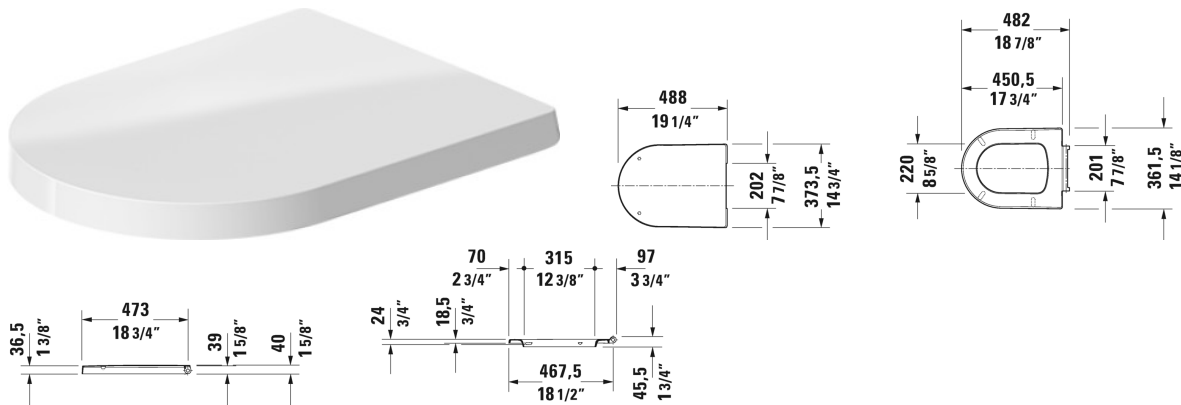
ME by Starck One-Piece toilet Duravit Rimless®  # 218501..02
/ 218501..02 / 218501..82 / 218501..82

|< 14 1/8" Inch >|

Suitable products	
Toilet seat ring elongated, open front, hinges plastic, without slow close,	006431
Toilet seat ring elongated, open front, hinges plastic, with slow close,	006439
Toilet seat and cover elongated, hinges stainless steel, without slow close,	002021
Toilet seat and cover elongated, hinges stainless steel, removable, with slow close,	002029

All drawings contain the necessary measurements which are subject to standard tolerances. They are stated in inch & mm and are non-binding. Exact measurements, in particular for customized installation scenarios, can only be taken from the finished ceramic piece.

ME by Starck Toilet seat and cover # 0020290000



Toilet seat and cover	Dimension	Weight	Order number
elongated, hinges stainless steel, removable, with slow close			
Colors			
00 White			
Variant			
		4.9 lb	0020290000
Suitable products			
Two-Piece toilet (without tank), vertical outlet, 12" rough-in, cUPC® listed*, WaterSense® listed, syphonic, 14 1/8" x 28" Inch	14 1/8" x 28" Inch		217101
One-Piece toilet Duravit Rimless® rimless, syphonic, 12" rough-in, suitable for SensoWash Starck, vertical outlet, WaterSense® listed, cUPC® listed*, 14 1/8" x 28 3/4" Inch	14 1/8" x 28 3/4" Inch		217301
One-Piece toilet Duravit Rimless® rimless, syphonic, 12" rough-in, vertical outlet, cUPC® listed*, WaterSense® listed, 14 1/8" x 28 3/4" Inch	14 1/8" x 28 3/4" Inch		218501
One-Piece toilet Duravit Rimless® rimless, syphonic, 12" rough-in, vertical outlet, 14 1/8" x 28 3/4" Inch	14 1/8" x 28 3/4" Inch		201301

All drawings contain the necessary measurements which are subject to standard tolerances. They are stated in inch & mm and are non-binding. Exact measurements, in particular for customized installation scenarios, can only be taken from the finished ceramic piece.