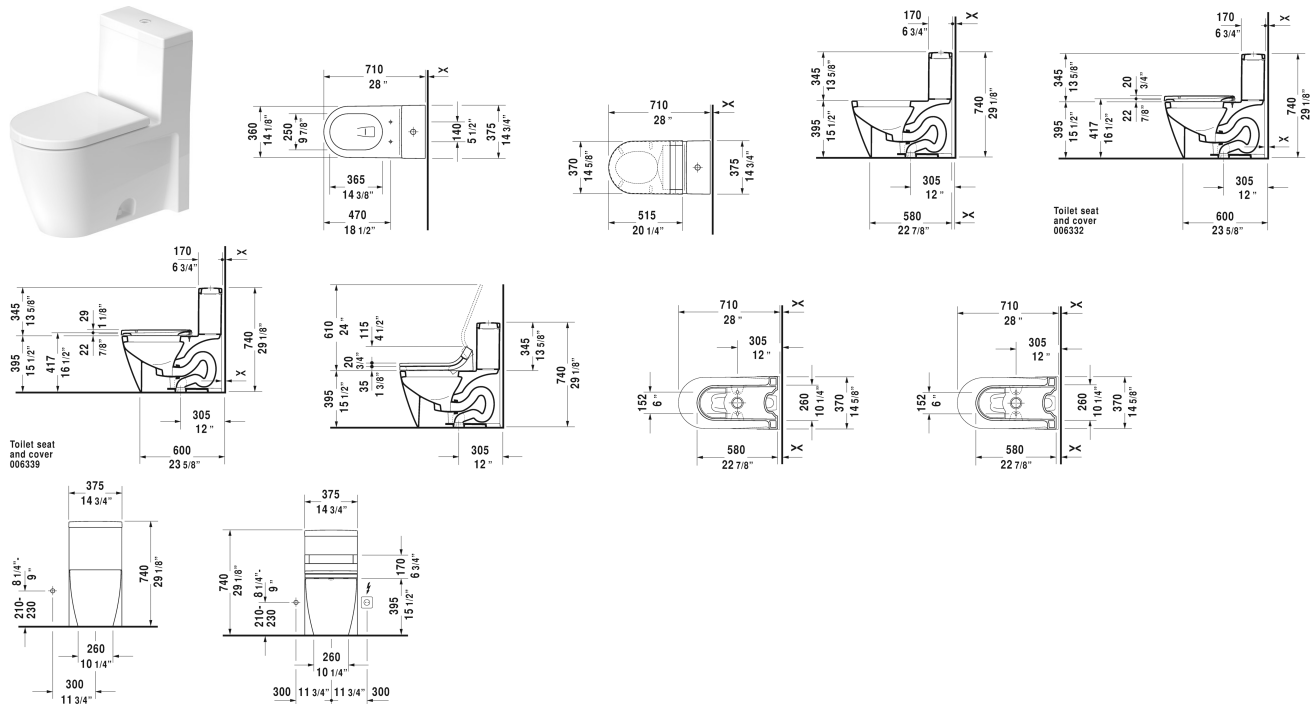


**Starck 2 One-Piece toilet # 2133010005**

**< 14 3/4" Inch >**



One-Piece toilet	Dimension	Weight	Order number
suitable for SensoWash Starck, syphonic, 12" rough-in, with single flush piston valve, top flush, vertical outlet, cUPC® listed*, WaterSense® listed, 1.28 gpf			
<b>Colors</b>			
00 White			
<b>Variant</b>			
●	14 3/4" x 28 1/8" Inch	125.7 lb	2133010005
<b>Infobox</b>			
* Complies with following standards: ASME A112.19.2/CSA B45.1, For suitable SensoWash® shower-toilet seats, please see matrix on page xxx			
Mounting set for One-Piece and Two-Piece toilets, outlet 3/8" - male thread, wall connection 1/2" - female thread, 1/2", North American version	15" Inch	1.1 lb	001431
<b>Suitable products</b>			

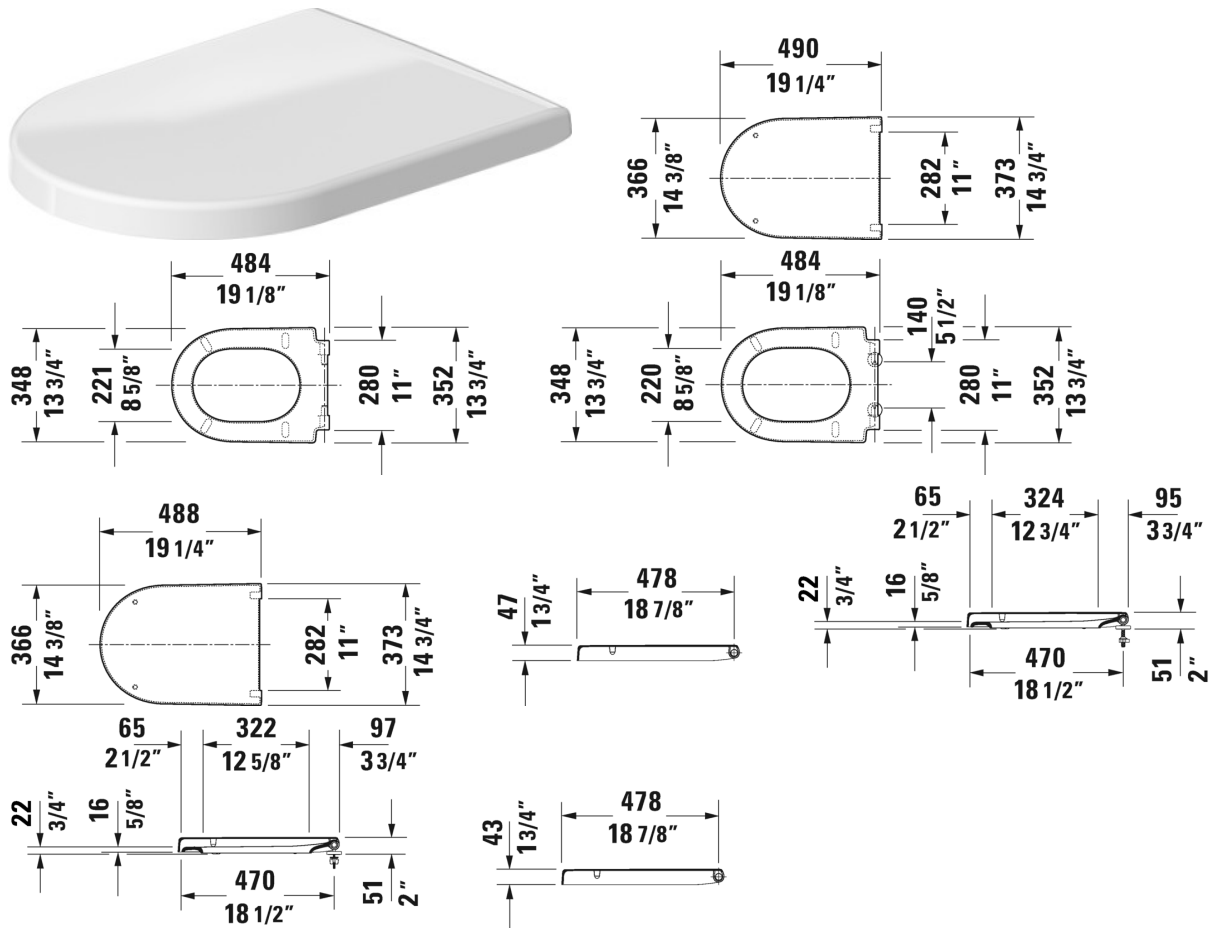
**Starck 2 One-Piece toilet # 2133010005**

| < 14 3/4" Inch > |

<p>SensoWash® Starck shower-toilet seat for Starck 2, Starck 3 and Darling New* Rear-, Lady- and Comfortwash, individual adjustment of water-, air- and seat surface temperature as well as nozzle position and jet strength, power actuated lid and seat, night light, 2 individually programmable user profiles, remote control included, self-cleaning wand, on / off-button, Quick release: easy seat unit removal and attachment, 14 5/8" x 20 1/4" Inch</p>	<p>14 5/8" x 20 1/4" Inch</p>	<p>610000</p>
<p>Toilet seat ring elongated, open front, hinges plastic, without slow close,</p>		<p>006431</p>
<p>Toilet seat ring elongated, open front, hinges plastic, with slow close,</p>		<p>006439</p>
<p>Toilet seat and cover elongated, hinges stainless steel, without slow close,</p>		<p>006332</p>
<p>Toilet seat and cover elongated, hinges stainless steel, removable, with slow close,</p>		<p>006339</p>

*All drawings contain the necessary measurements which are subject to standard tolerances. They are stated in inch & mm and are non-binding. Exact measurements, in particular for customized installation scenarios, can only be taken from the finished ceramic piece.*

Starck 2 Toilet seat and cover # 0063390000



Toilet seat and cover	Dimension	Weight	Order number
elongated, hinges stainless steel, removable, with slow close			
<b>Colors</b>			
00 White			
<b>Variant</b>			
		4.4 lb	0063390000
<b>Suitable products</b>			
Toilet wall-mounted washdown model, Durafix included, suitable for SensoWash Starck, cUPC® listed*, WaterSense® listed, 14 1/8" x 24 3/8" Inch	14 1/8" x 24 3/8" Inch		253309

## Starck 2 Toilet seat and cover # 0063390000

---

One-Piece toilet suitable for SensoWash Starck, syphonic, 12" rough-in, with single flush piston valve, top flush, vertical outlet, cUPC® listed*, WaterSense® listed, 1.28 gpf, 14 3/4" x 28 1/8" Inch	14 3/4" x 28 1/8" Inch	213301
One-Piece toilet Duravit Rimless® rimless, syphonic, 12" rough-in, vertical outlet, 14 1/8" x 28 3/4" Inch	14 1/8" x 28 3/4" Inch	201301

*All drawings contain the necessary measurements which are subject to standard tolerances. They are stated in inch & mm and are non-binding. Exact measurements, in particular for customized installation scenarios, can only be taken from the finished ceramic piece.*