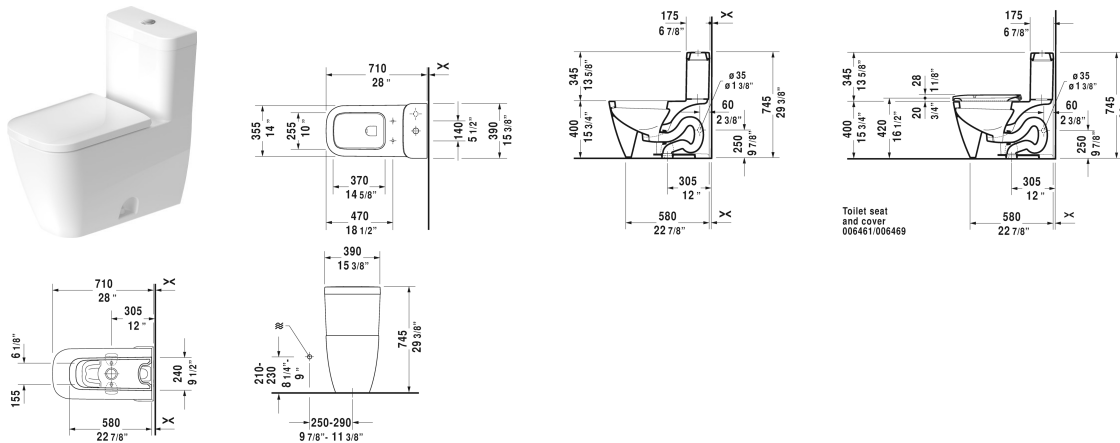


**Happy D.2 One-Piece toilet # 212101..01 / 212101..01**

**< 15 3/8" Inch >**



One-Piece toilet	Dimension	Weight	Order number
syphonic, 12" rough-in, with dual flush piston valve, top flush, vertical outlet, cUPC® listed*, WaterSense® listed, 1.32/0.92 gpf			
<b>Colors</b>			
00 White 20 HygieneGlaze (an antibacterial ceramic glaze that provides almost indefinite effectiveness)			
<b>Variant</b>			
●	15 3/8" x 28" Inch	126 lb	212101..01
●	15 3/8" x 28" Inch	126 lb	212101..01
<b>Infobox</b>			
* Complies with following standards: ASME A112.19.2/CSA B45.1 and ASME A112.19.14			
Mounting set for One-Piece and Two-Piece toilets, outlet 3/8" - male thread, wall connection 1/2" - female thread, 1/2", North American version		1.1 lb	001431
<b>Suitable products</b>			
Toilet seat and cover hinges stainless steel, elongated, removable, without slow close,			006461
Toilet seat and cover hinges stainless steel, elongated, with slow close,			006469

*All drawings contain the necessary measurements which are subject to standard tolerances. They are stated in inch & mm and are non-binding. Exact measurements, in particular for customized installation scenarios, can only be taken from the finished ceramic piece.*