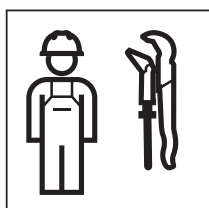


Installation Manual

Montageanleitung
Instructions de montage
Istruzioni per il montaggio





Product Data

Product Specifications

Geberit Model No. / Flush volume:

- 111.798.00.1 / 1.6/0.8 gpf (6.0/3.0 lpf)
- 111.597.00.1 / 1.28/0.8 gpf (4.8/3.0 lpf)
- For installing 2-hole stud mounted wall-hung washdown water closet fixtures with rear water inlet and waste outlet
- For installation within or in front of drywall panels
- For installation in front of solid walls
- Fits within minimum 3 1/2" (90 mm) framing wall or plumbing chase
- Adjustable for fixture seat heights from 15" to 19" (381 to 483 mm)
- For Geberit actuator plates Sigma



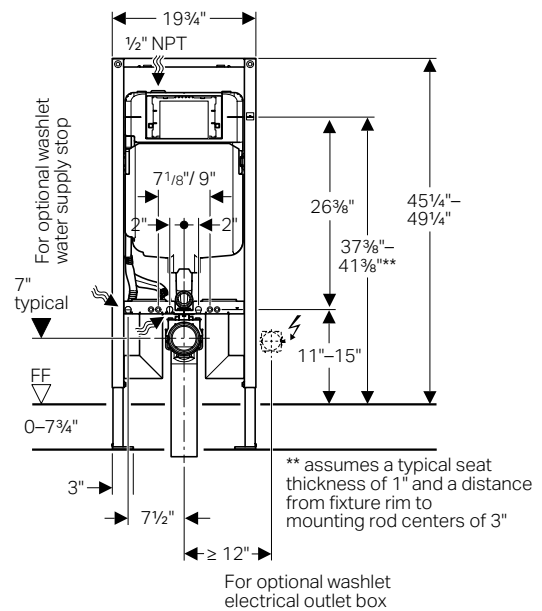
Features

- Anti-siphon fill valve
- Impact resistant high density polyethylene (HDPE) tank, insulated to prevent condensation
- 16-gauge, powder-coated, structural steel tubing rated to 880 lbs. (400 kg) without damage to finished wall or carrier unit
- Includes installation and rough-in materials

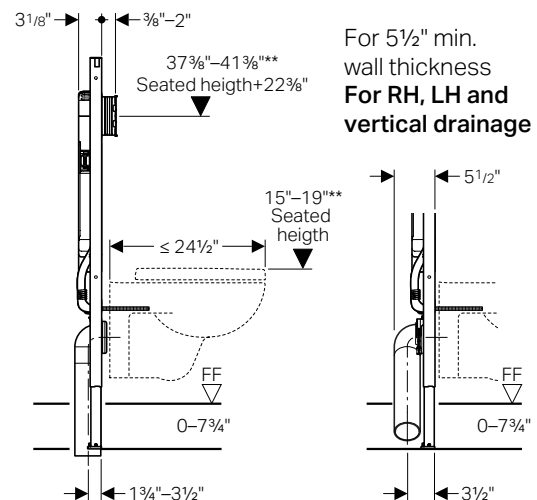
Warranty

Limited lifetime warranty on tank and carrier.
 10 year warranty on fill valve and flush valve.
 One year warranty on actuator plate.

Installation Dimensions



For 3 1/2" max.
 wall thickness
Vertical drainage only



Connection of waste outlet to drain pipe

Supplied fitting is HDPE and cannot be glued.
 Note: Supplied coupling connects to 3" plastic drainage pipes only!
 To connect supplied wast bend to other materials, purchase alternate coupling, with one end for 3" plastic.

Material Determination

Recommended material for wall surface construction:

- Gypsum / green board
- Cement board
- Tile backer board
- Ceramic tile surface

Minimum wall material thickness 3/8" (10 mm)



Installation

Installation Requirements

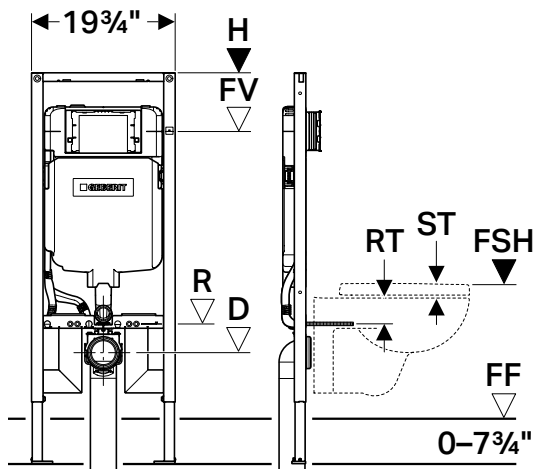
To install tank and carrier, a 2 x 4" wood frame or metal frame construction is required. Studs must be placed 19 3/4" apart (clearance) where carrier will be positioned inside the wall.

Prepare

- FF: Finished Floor Height
- FSH: Finished Seated Height
- ST: Seat thickness, based on seat model
- RT: Distance from fixture rim to mounting centers, based on ceramic model
- H: Frame Height, subject to conditions below:
 $H = FSH - RT - ST + 34\frac{1}{4}"$ (870)

These values are not needed at roughing in, but may be useful as alternate references:

- FV: Flush Valve Height (see below)
- R: Rod Height, based on ceramic model and FSH (see below)
- D: Drain outlet, based on ceramic model and FSH (see below)



For convenience, values for a "typical" situation are included in the following chart:

FOR REFERENCE

Finished Seat Height (FSH)	Frame Height (H)	Flush Valve Height (FV)	Rod Height (R)	Drain Outlet Height (D)
15	45 1/4	37 3/8	11	7
16	46 1/4	38 3/8	12	8
17	47 1/4	39 3/8	13	9
18	48 1/4	40 3/8	14	10
19	49 1/4	41 3/8	15	11

** assumes a typical seat thickness of 1" and a distance from fixture rim to mounting rod centers of 3". Always refer to the manufacturer specification sheet for the latest information!

These dimensions are used for later, after the frame is installed:

RC: Rod Center-to-Center Distance, based on ceramic model

Other calculations (for reference only)

$$FV = FSH - RT - ST + 26\frac{3}{8}"$$
 (670)

$$R = FSH - RT - ST$$

$$D = FSH - RT - ST - 4"$$
 (100)

or

$$FV = R + 26\frac{3}{8}"$$
 (670)

$$H = R + 34\frac{1}{4}"$$
 (870)

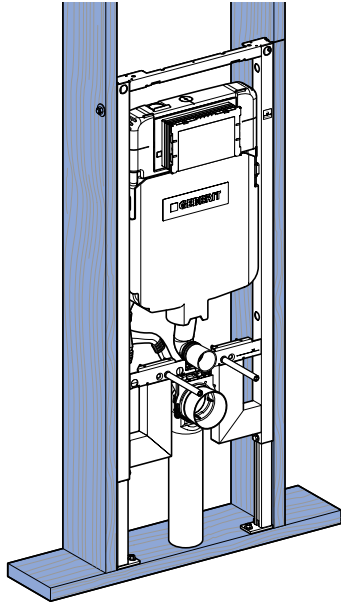
$$D = R - 4"$$
 (100)



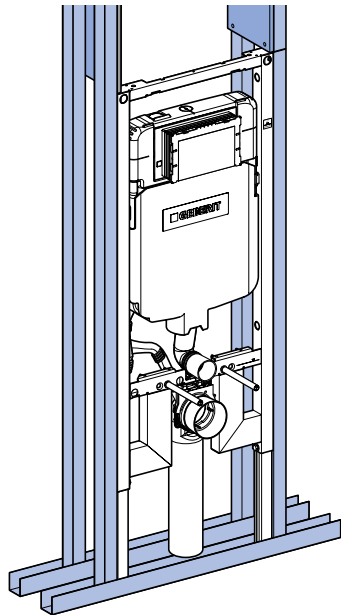
All dimensions Above Finished Floor (AFF)

1

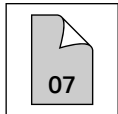
Installation Overview



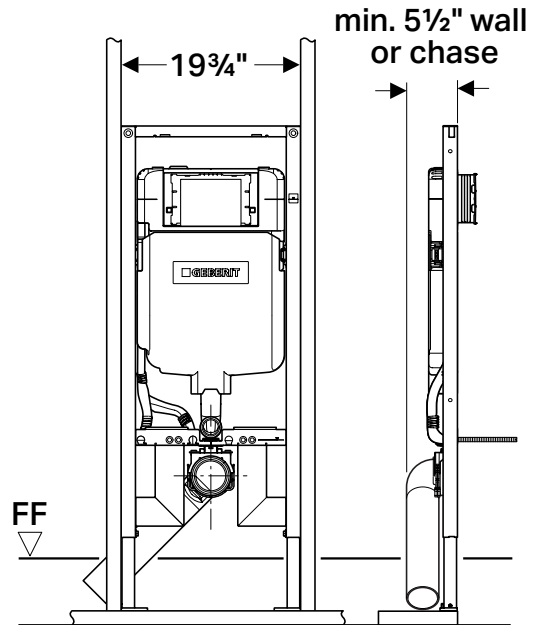
A



B

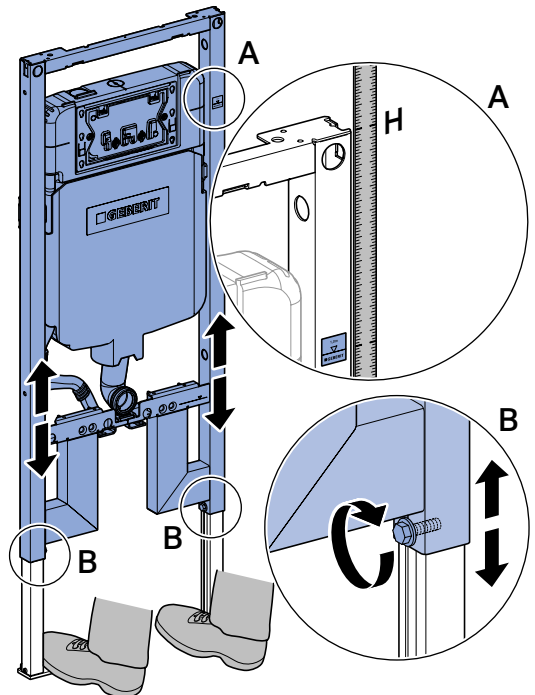
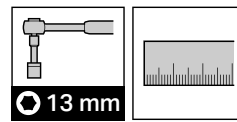


A

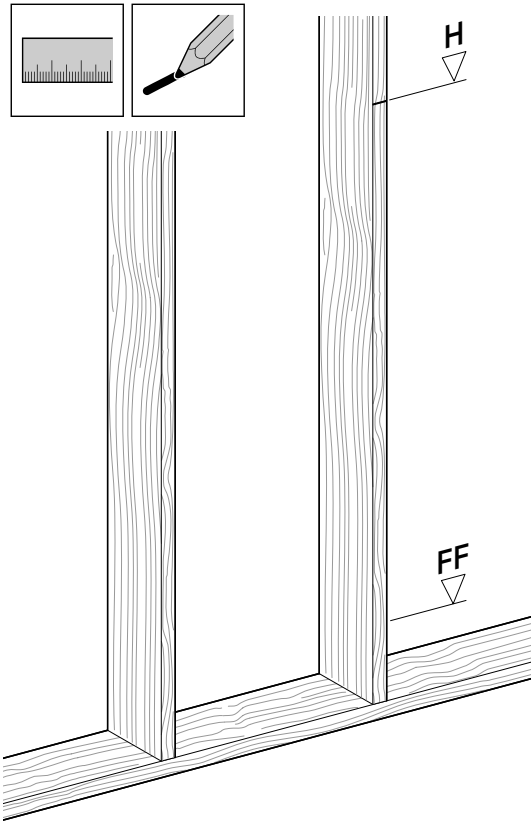


i RH, LH or vertical drainage runs allowed with 5 1/2" minimum wall thickness.
Vertical drainage run only for 3 1/2" maximum walls.

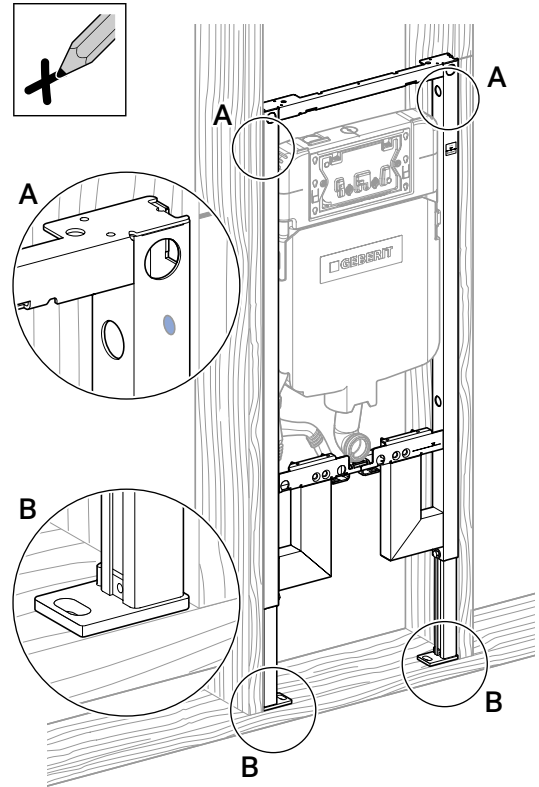
1



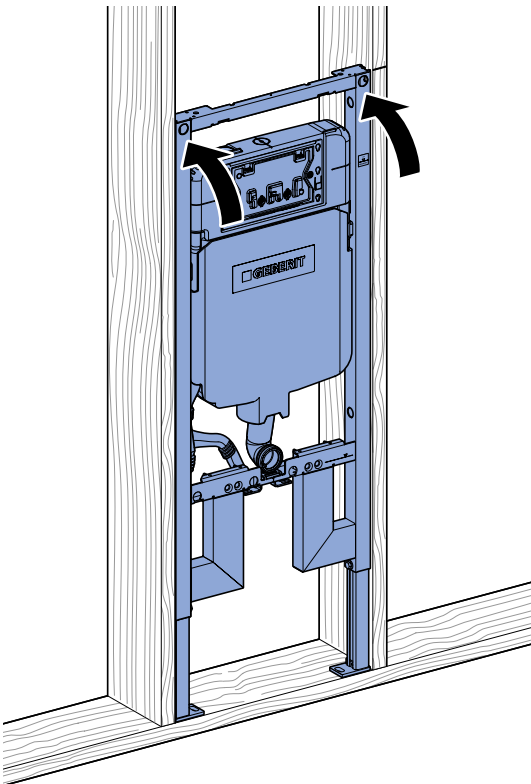
2



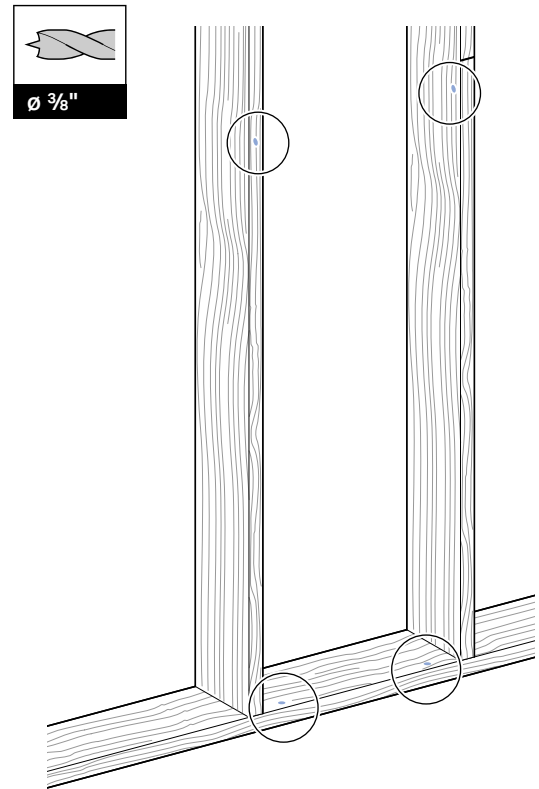
4



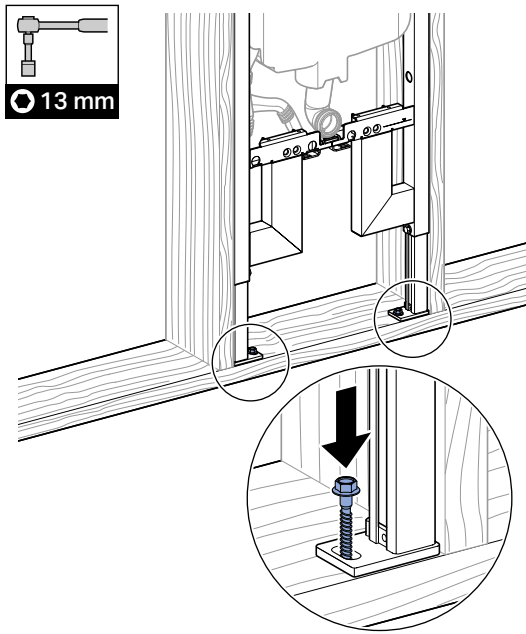
3



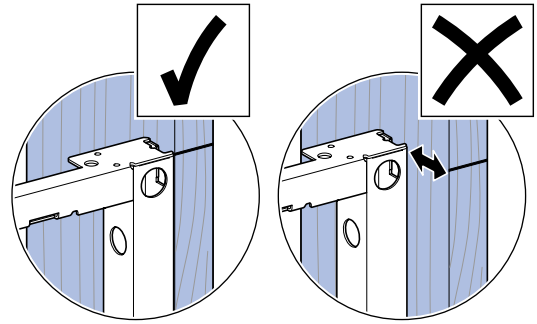
5



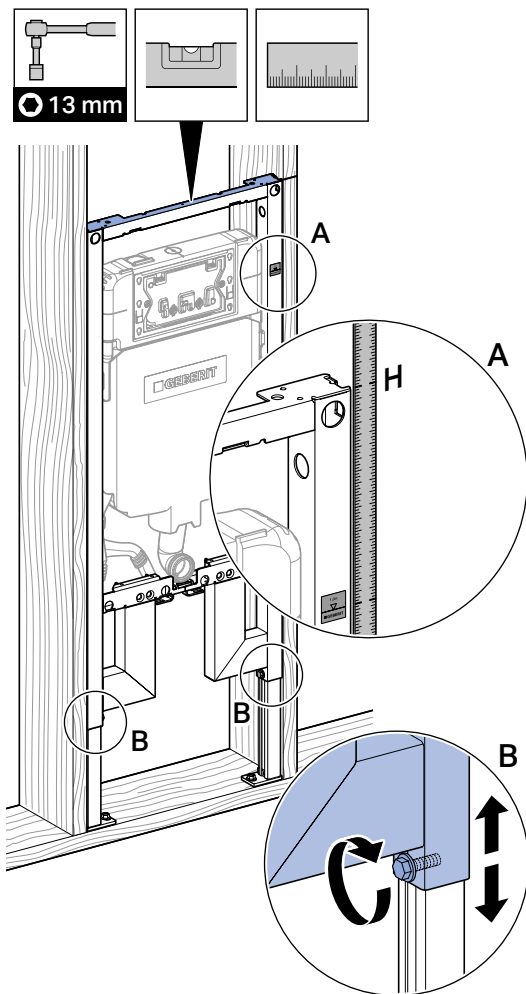
6



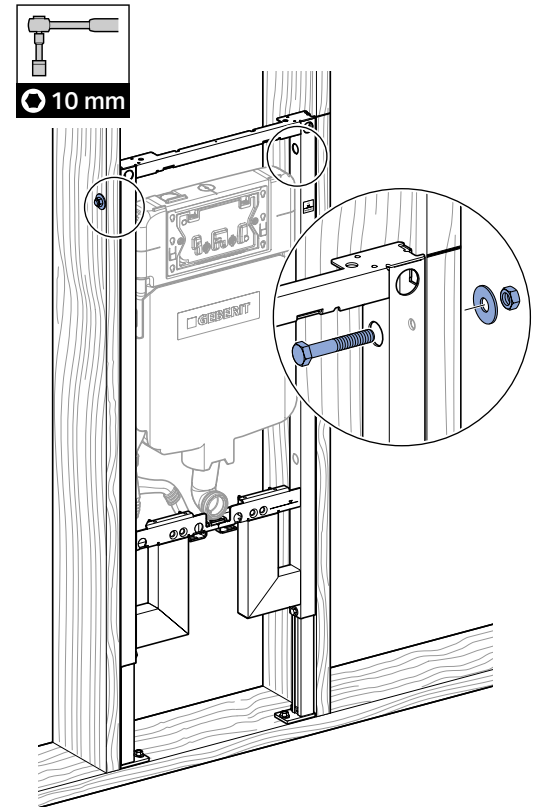
8



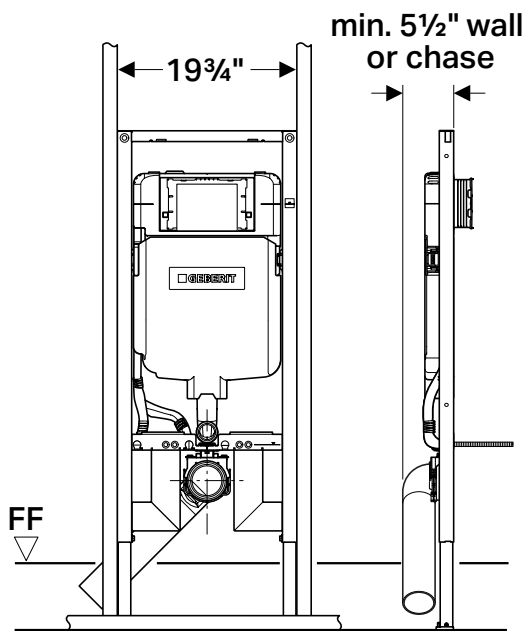
7



9

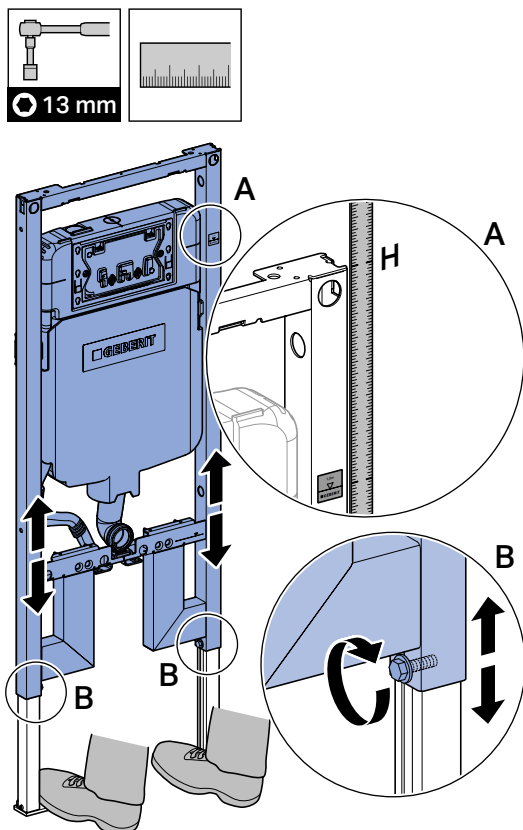


B

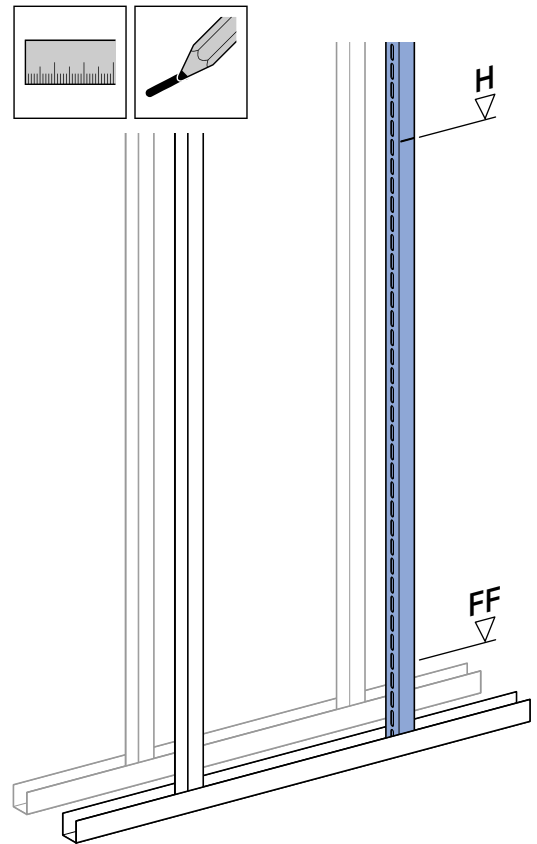


i RH, LH or vertical drainage runs allowed with 5 1/2" minimum wall thickness. Vertical drainage run only for 3 1/2" maximum walls.

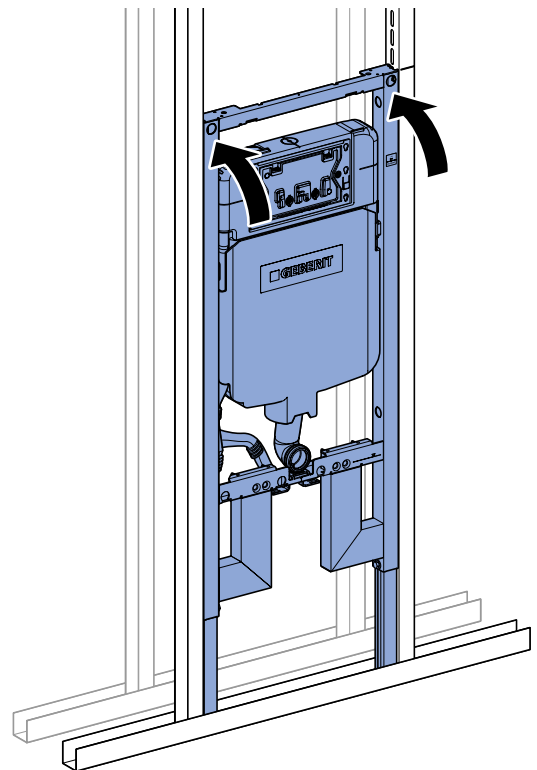
1



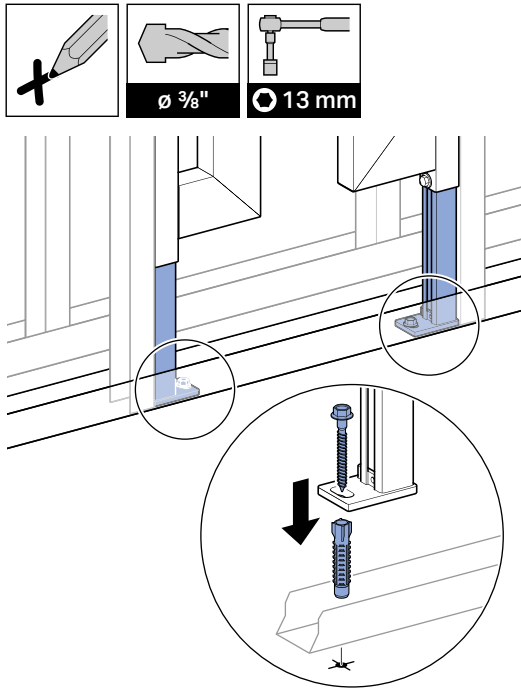
2



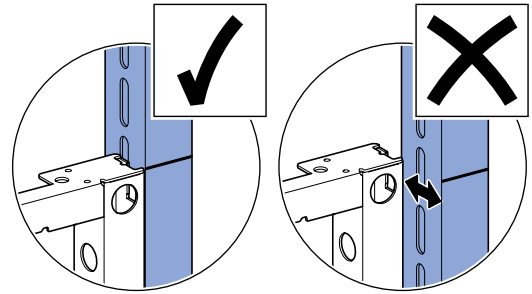
3



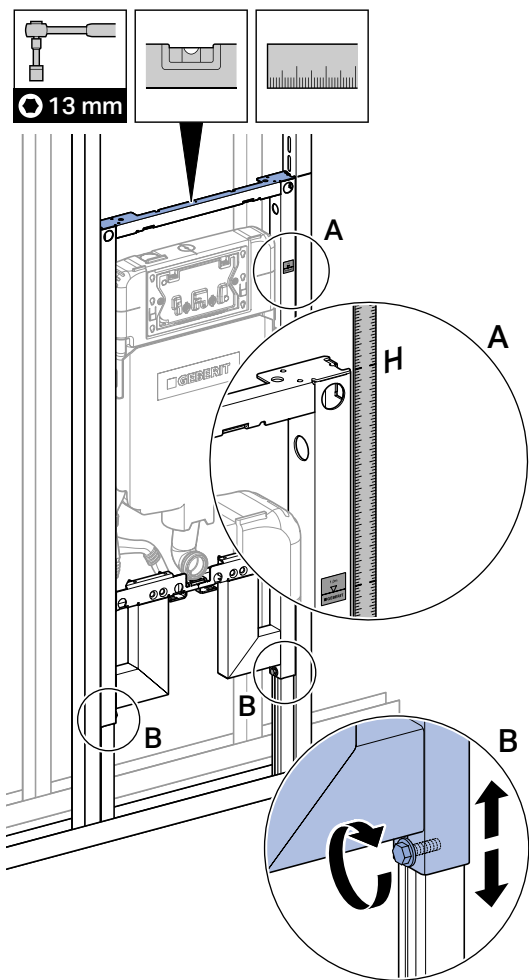
4



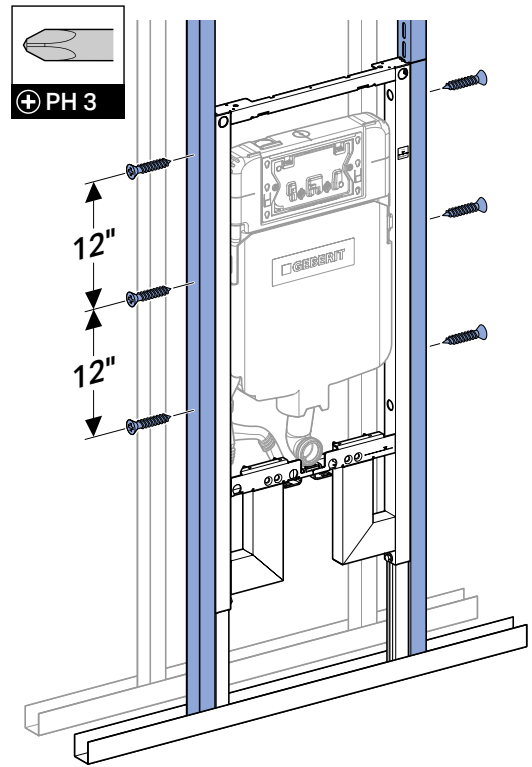
6



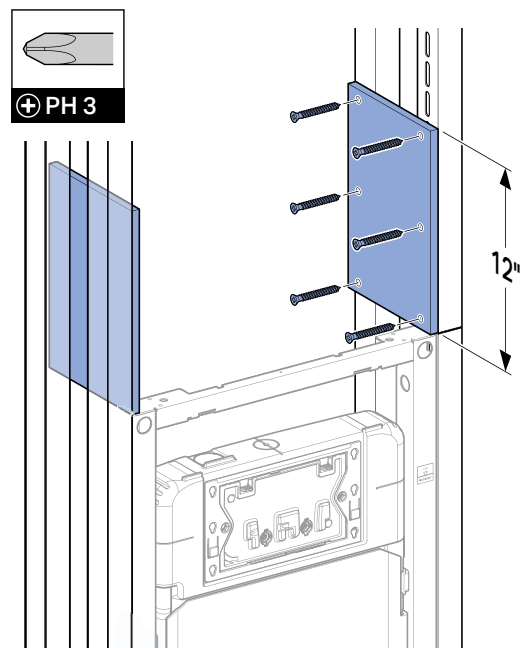
5



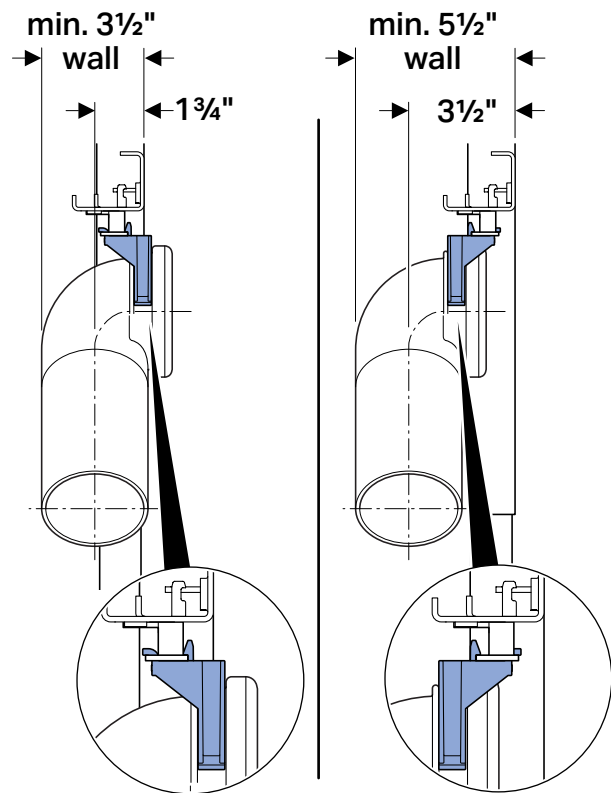
7



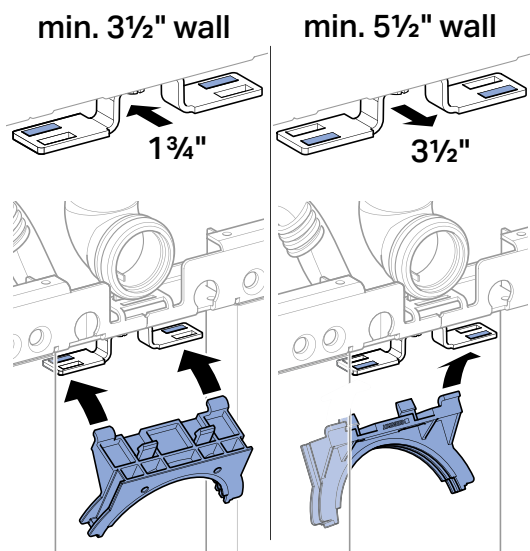
8



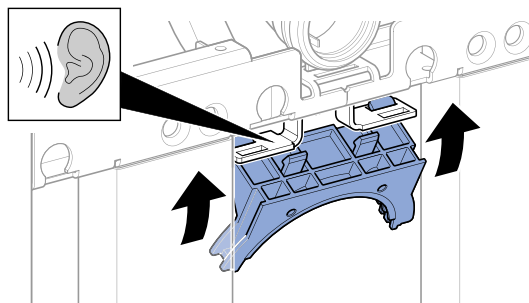
2



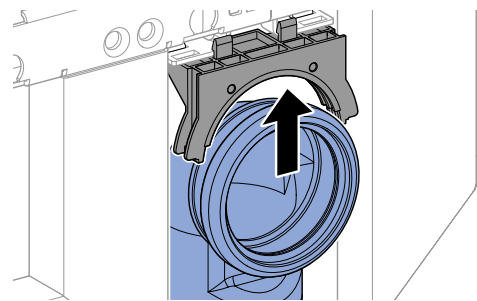
1



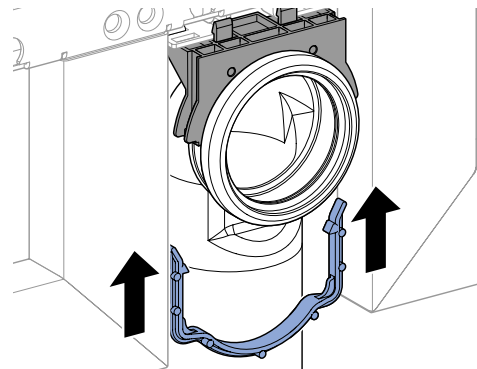
2



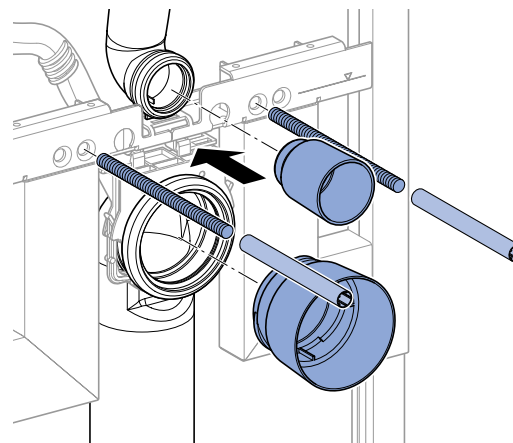
3



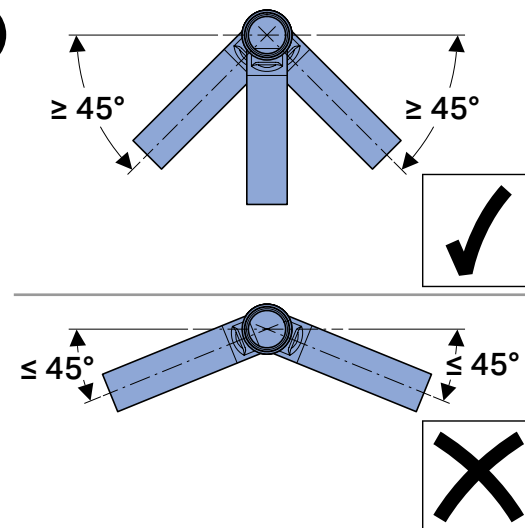
4



5

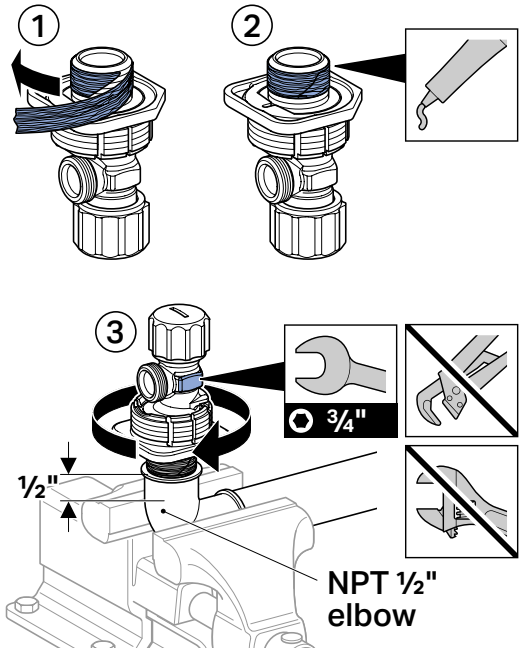


i

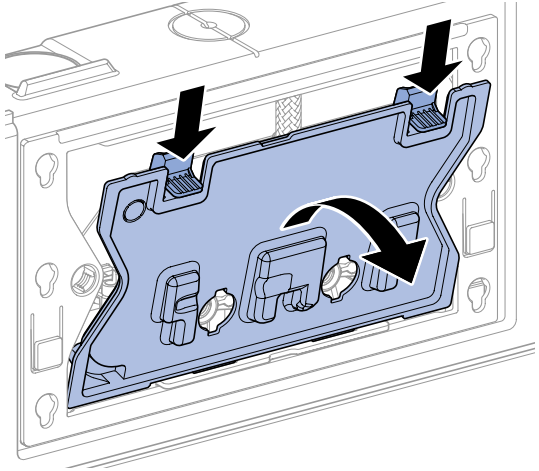


3

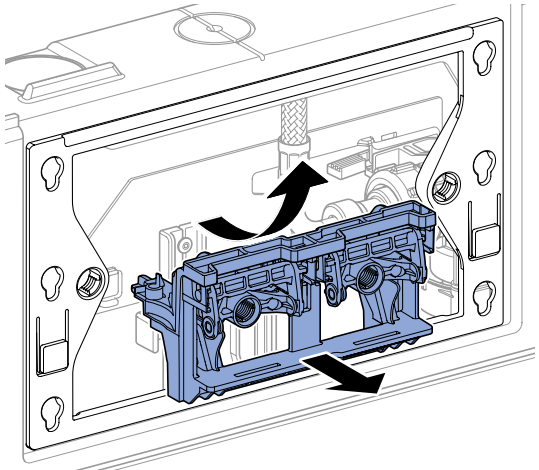
1



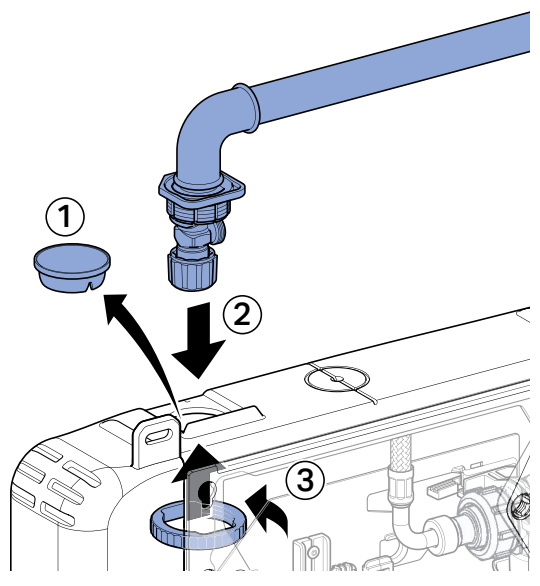
2



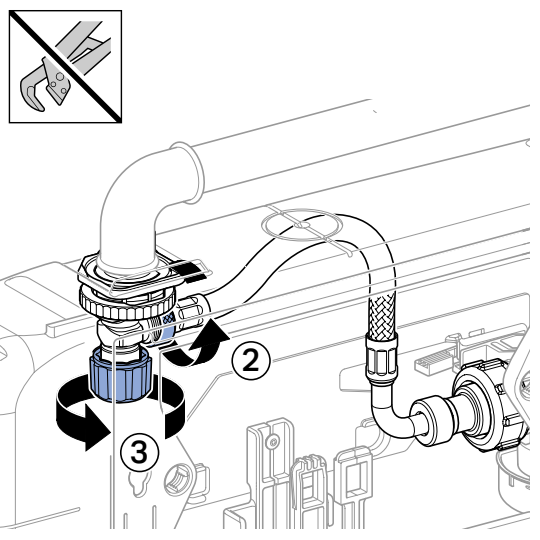
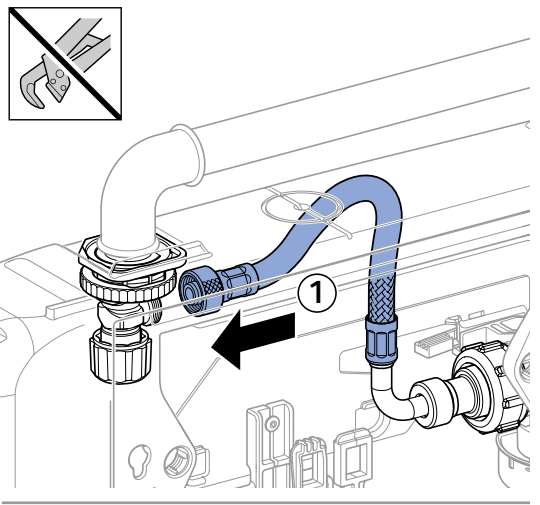
3



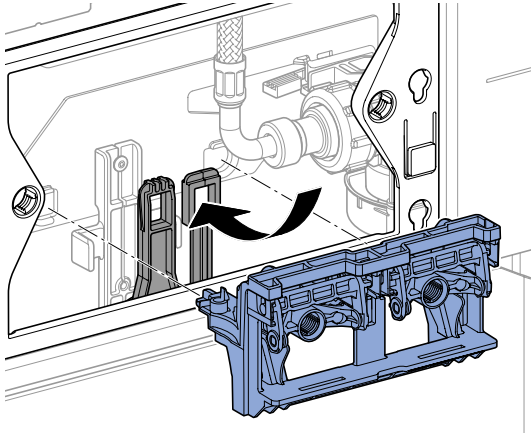
4



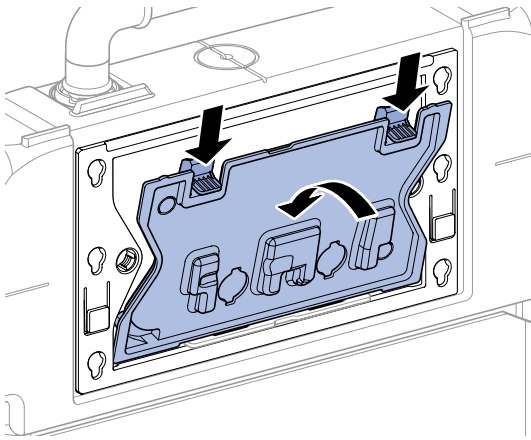
5



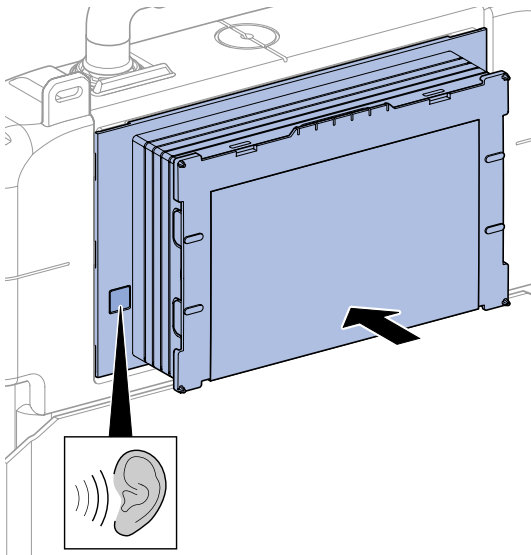
6



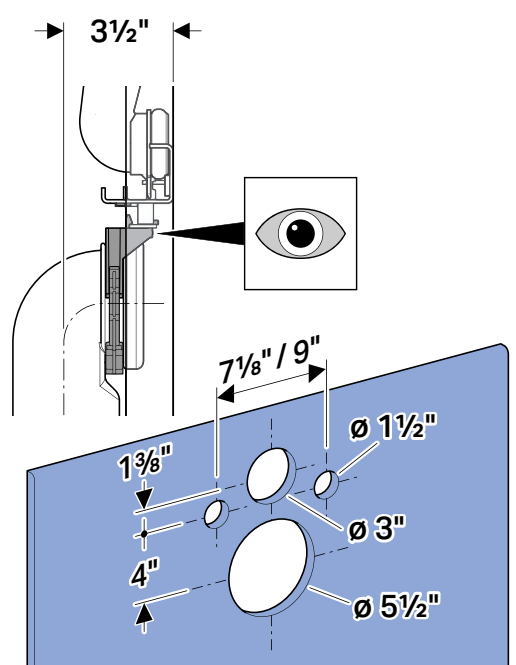
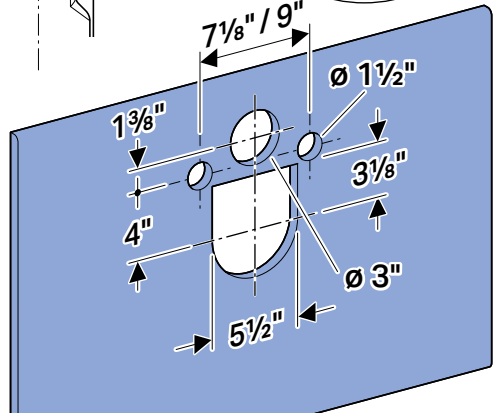
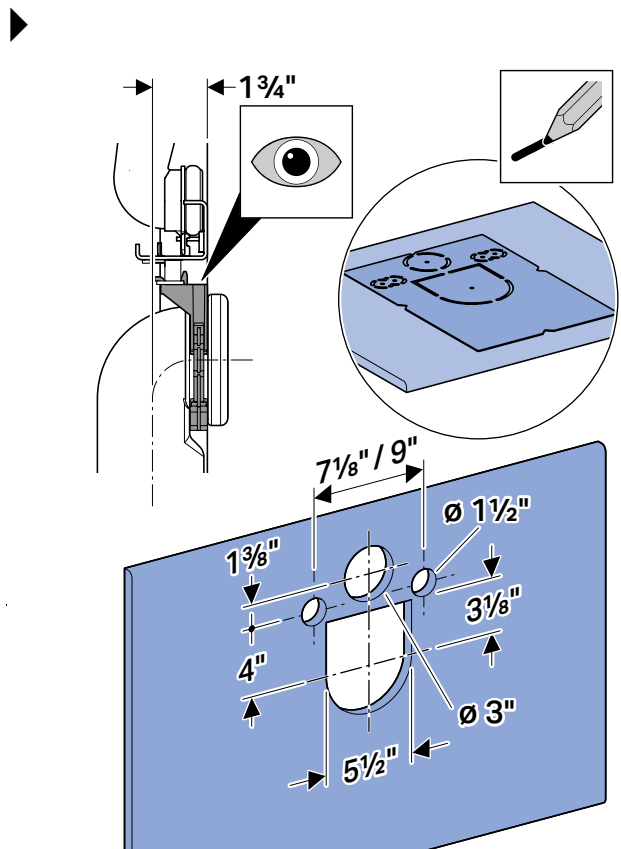
7



8

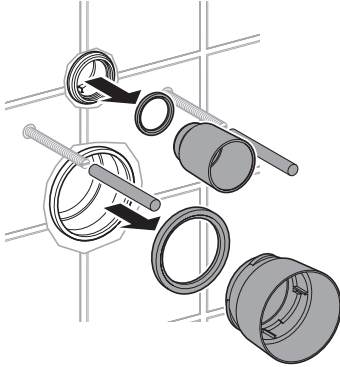


4

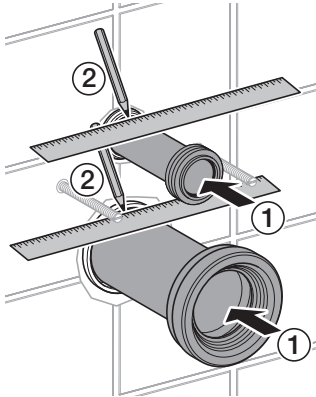


Bowl installation

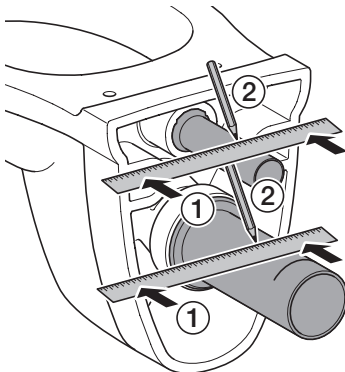
- 1 Remove yellow protection plugs and seals from pipes.



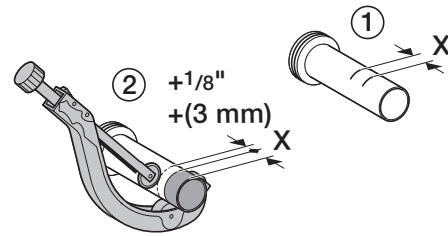
- 2 Insert discharge pipe into the pipe hub in the wall. Place a straight edge flush against the wall and mark a line on the pipe. Fit finned rubber seal onto flush pipe. Repeat same procedure for discharge pipe.



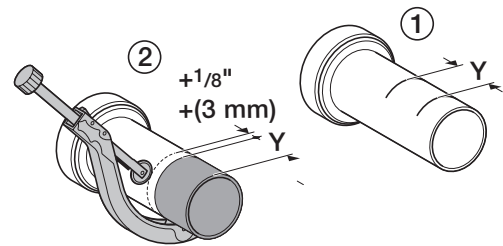
- 3 Place discharge pipe with gasket into waste outlet of bowl. Also place flush pipe with fin gasket into inlet of bowl. Then mark a second line on both pipes.



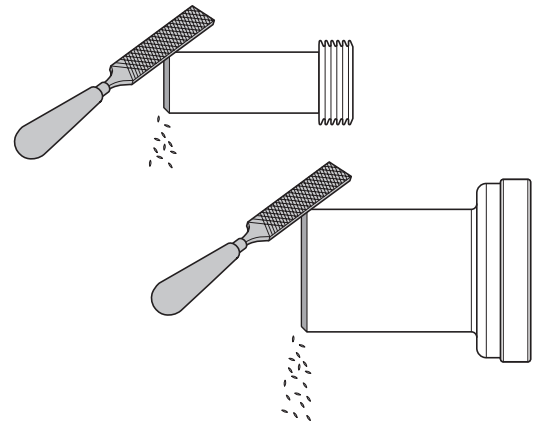
- 4 Add dimension X and 1/8". Using that dimension, mark a line on the pipe measuring from the hub side. Cut off the pipe at the line with a pipe cutter.



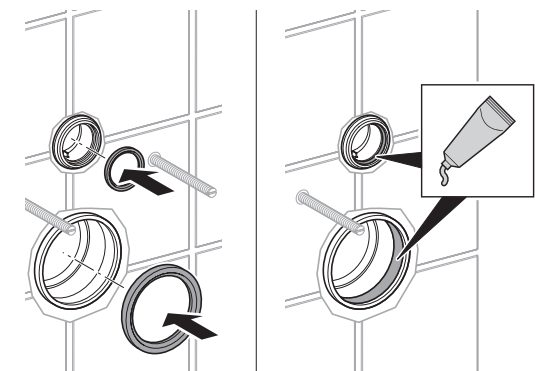
- 5 Add dimension Y and 1/8". Using that dimension, mark a line on the pipe measuring from the hub side. Cut off the pipe at the line with a pipe cutter.



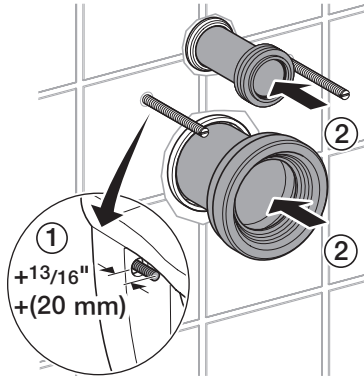
- 6 Bevel the sharp edges as shown to assure a smooth insertion into the pipe hubs in the wall.



- 7 Install both seals into the pipes in the wall. Lubricate seals with appropriate rubber seal lubricant.

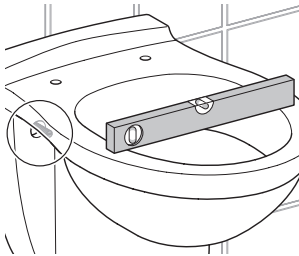


- 8** Remove protective sleeves from mounting rods. Determine protruding rod length for bowl installation. Install both pipes into the hubs in the wall.

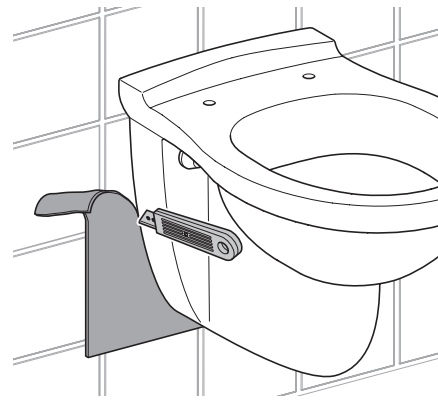
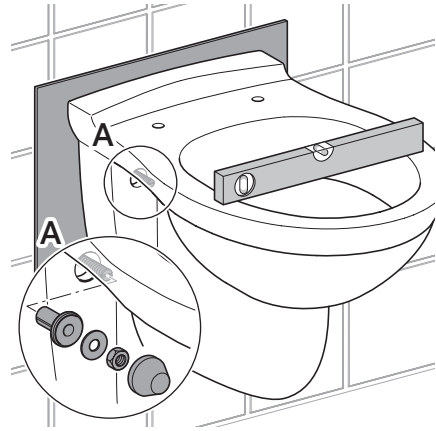
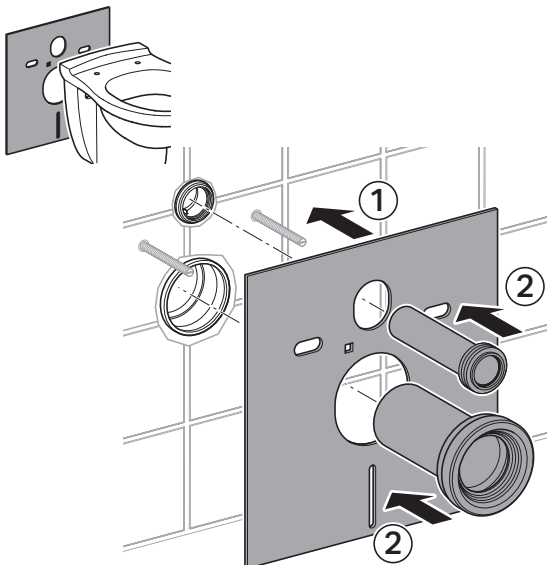


CAUTION
High torque forces
 WC ceramic appliance may break
 ▶ Do not overtighten hex nuts.

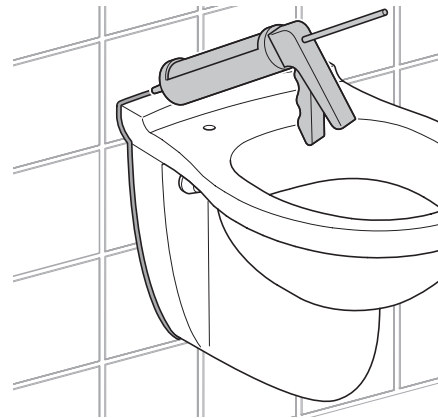
- 9** Place bowl onto rods. Attach cap washer with nose up and facing forwards onto rods. Install washer and hex nuts, tighten loosely. Level bowl. Tighten hex nuts. Snap on the bolt caps.



i Sound insulation pad is optional or required.

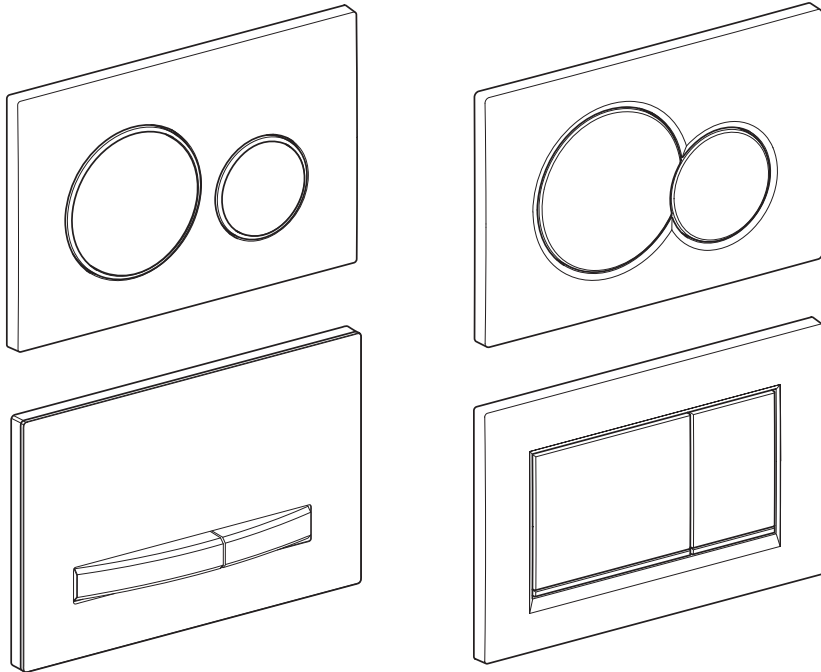


- 10** Seal gap around bowl with waterproof sealant.



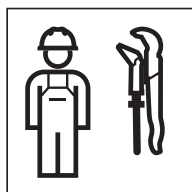
Geberit , 2100 Clearwater Drive, Des Plaines, IL 60018-5999
Phone: (847) 803 5000
Fax: 847/803-5454
For Technical Assistance: 800 / TEC-TRUE (800-832-8783)
→ www.geberit.us

Geberit International AG, Schachenstrasse 77, CH-8645 Jona
T +41 55 221 63 00
F +41 55 221 63 16
documentation@geberit.com
→ www.geberit.com



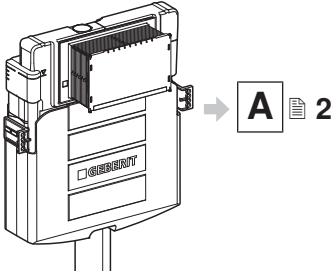
INSTALLATION MANUAL

MONTAGEANLEITUNG
INSTRUCTIONS DE MONTAGE
ISTRUZIONI PER IL MONTAGGIO

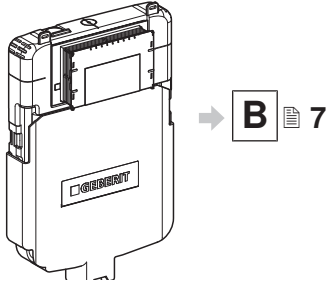




Sigma 12 cm



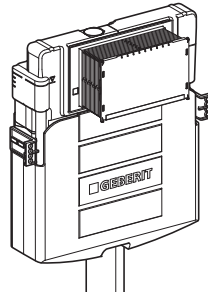
Sigma 8 cm



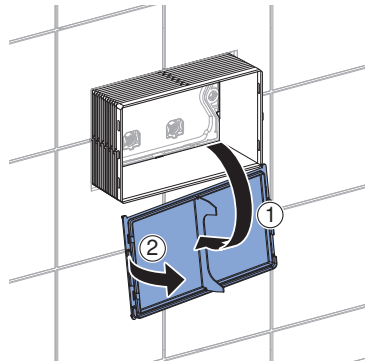
A



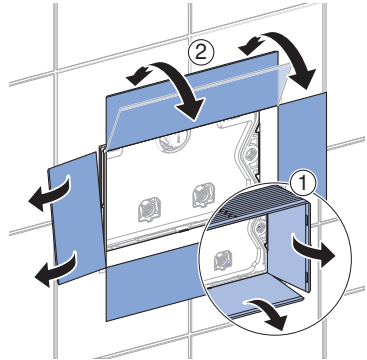
Sigma 12 cm



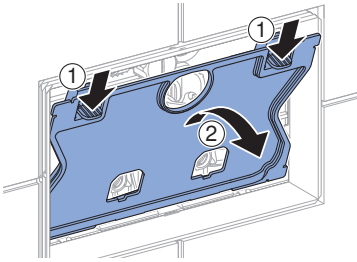
1



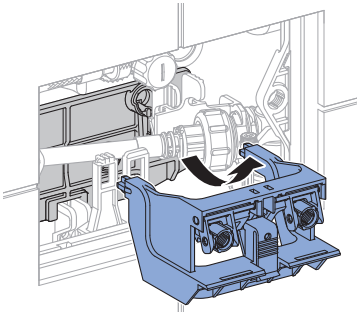
2



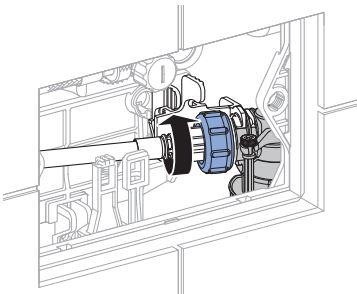
3



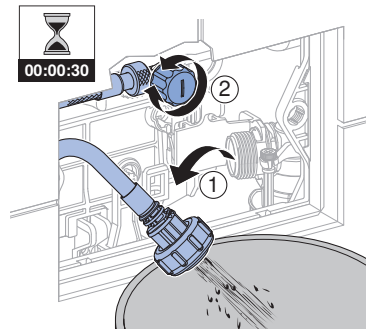
4



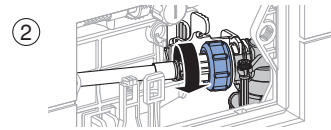
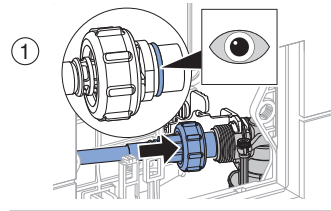
5



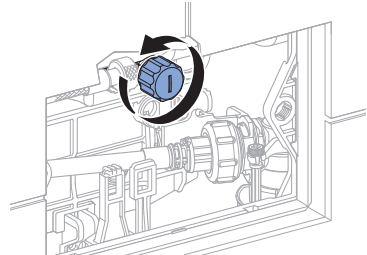
6



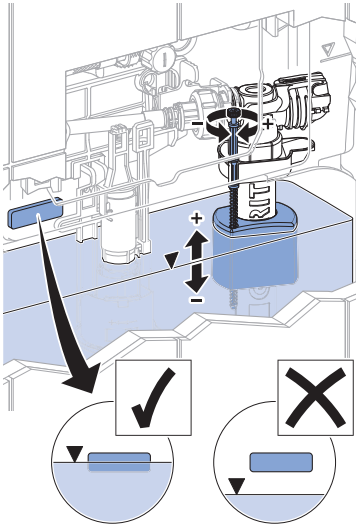
7



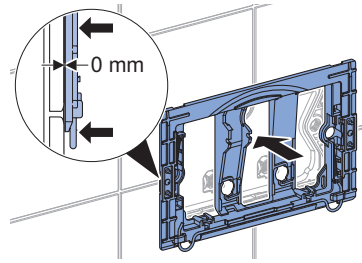
8



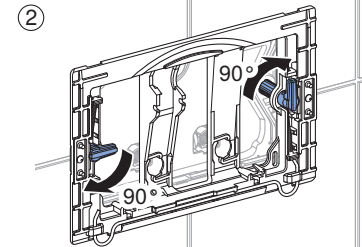
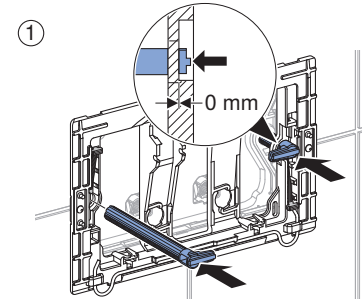
9



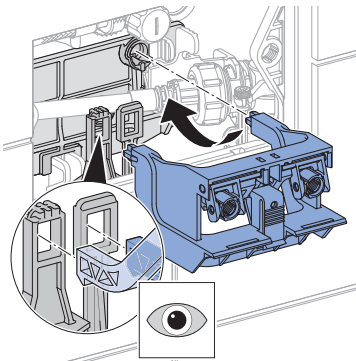
12



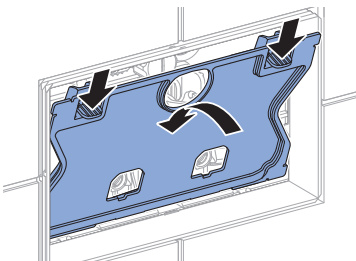
13



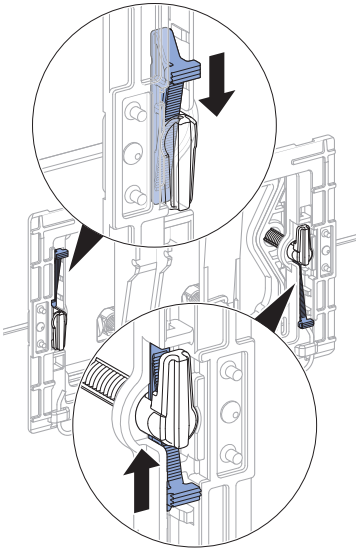
10



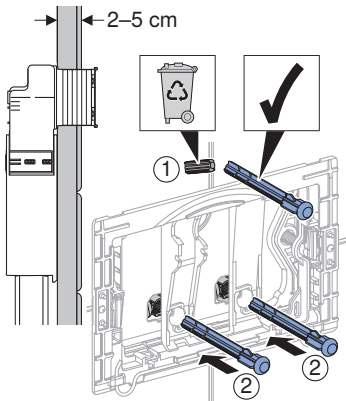
11



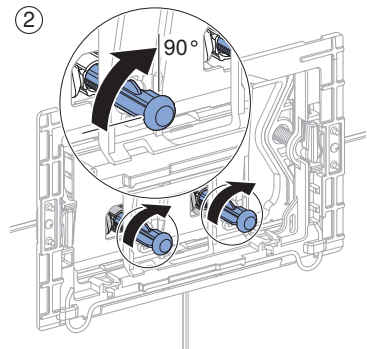
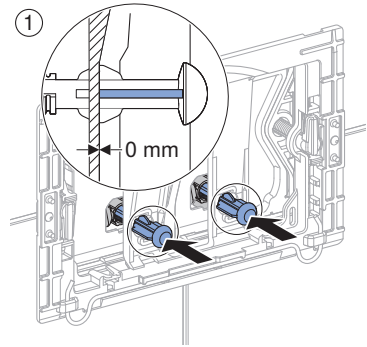
14



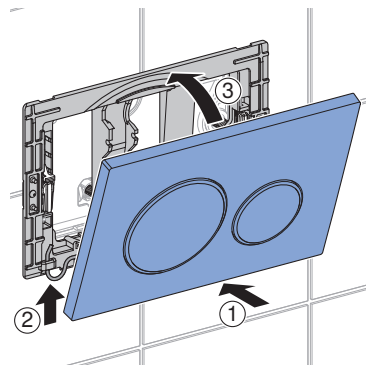
15



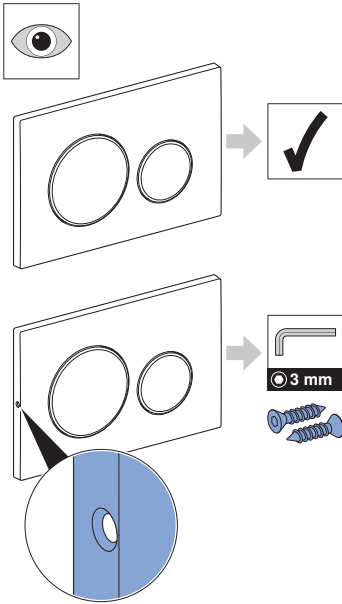
16



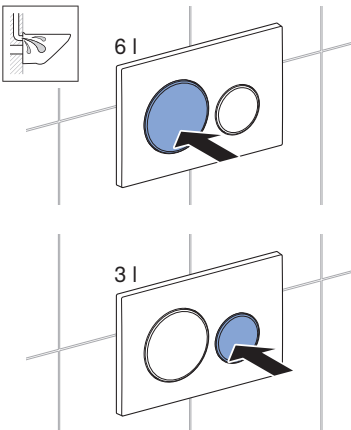
17



18



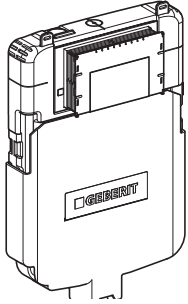
19



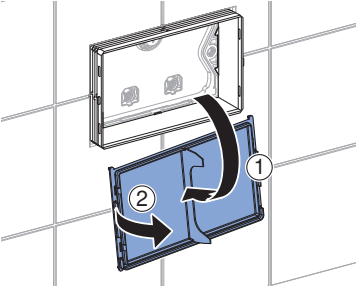
B



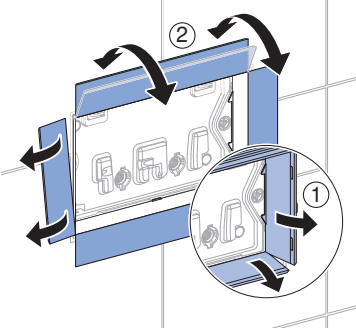
Sigma 8 cm



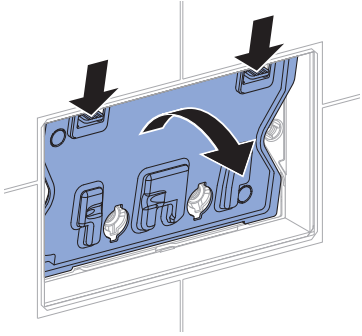
1



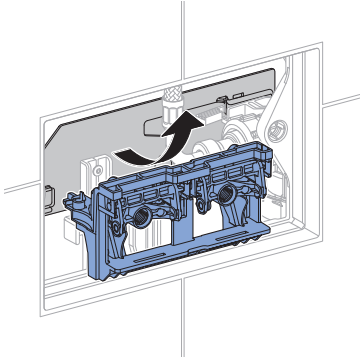
2



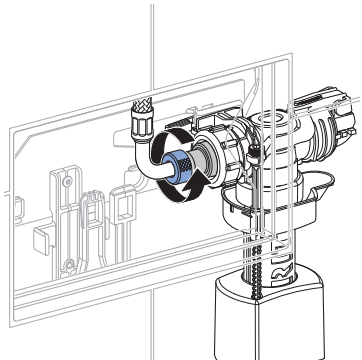
3



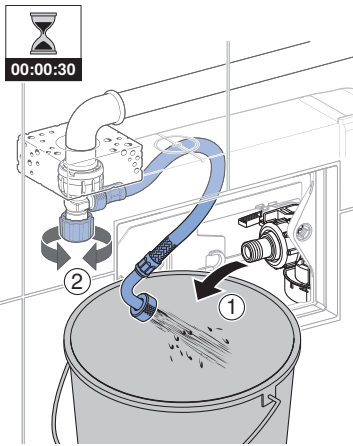
4



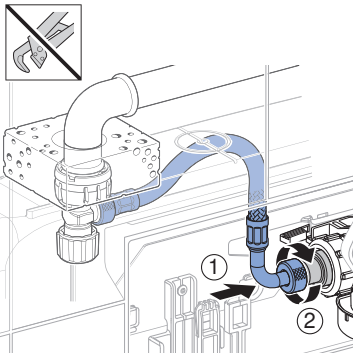
5



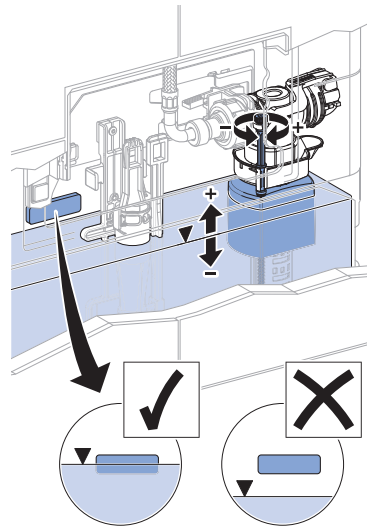
6



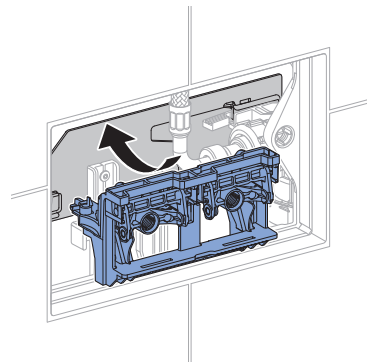
7



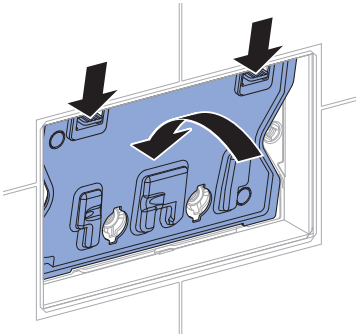
8



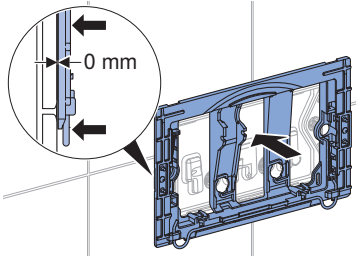
9



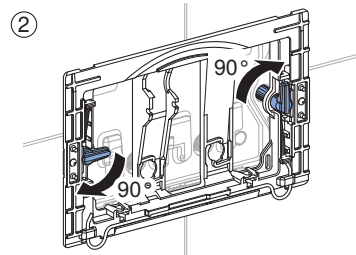
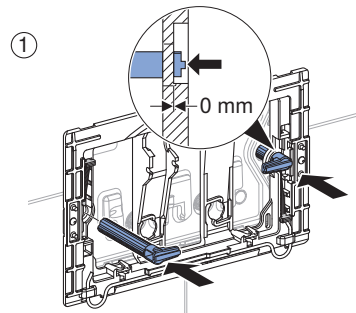
10



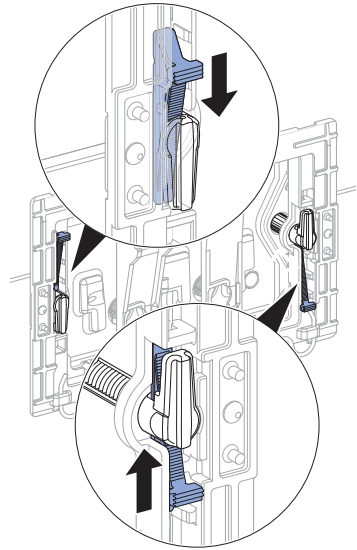
11



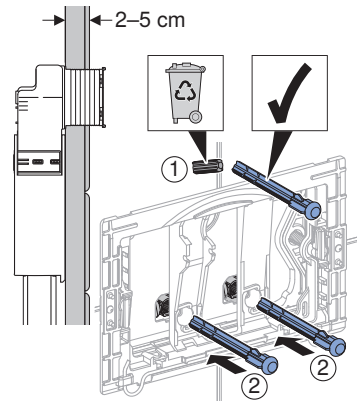
12



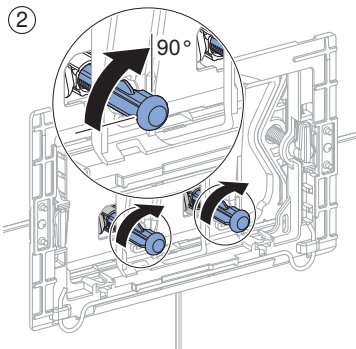
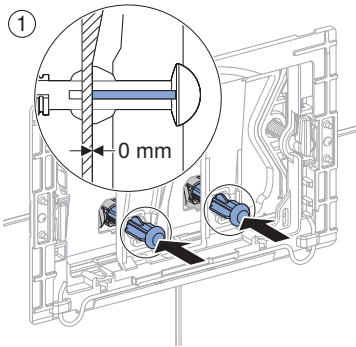
13



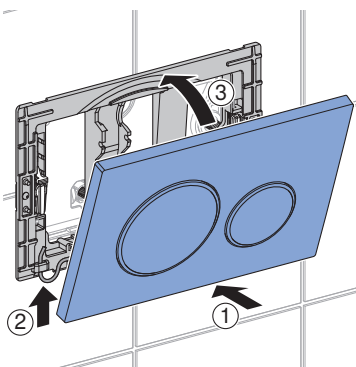
14



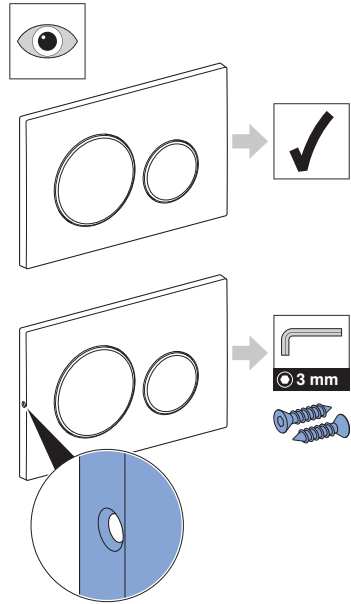
15



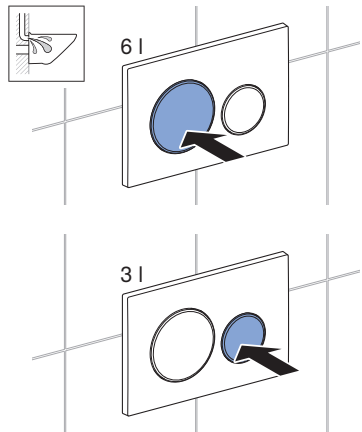
16



17



18





Geberit International AG
Schachenstrasse 77, CH-8645 Jona
documentation@geberit.com
www.geberit.com

