

GEBERIT INSTALLATION SYSTEM

For 1.6/0.8 GPF (6/3 LPF) and 1.28/0.8 GPF (4.8/3 LPF) Wall-Hung Toilets, 2x4 Installations

PRODUCT SPECIFICATIONS

In-Wall Duofix carrier system and Sigma concealed tank with actuator flush panel or pneumatic push button for washdown wall-hung toilets. System shall fit within minimum 3½" (90 mm) framing wall or plumbing chase, with wood construction or steel framing members placed 19¼" (500 mm) apart. Framing members should be capable of supporting a 880 pound (400 kg) load without damage to the wall. Water supply shall have flow diameter no smaller than 1/2" (13 mm) copper tube, and a minimum flow pressure of 2 PSI (0.01 MPa). The toilet bowl shall be a third party listed, 2-hole wall-hung 1.6 GPF (6 LPF) or 1.28 GPF (4.8 LPF) single-flush, 1.6/0.8 GPF (6/3 LPF) or 1.28/0.8 GPF (4.8/3 LPF) dual-flush. The carrier frame shall be adjustable for bowl rim heights from 15" to 19" (381 to 483 mm). Actuator flush panels shall be diecast zinc, molded plastic or fabricated stainless steel and plated to preserve material integrity. All components shall be compliant with applicable codes and product standards.

FEATURES

- Water consumption – Dual-flush system, 1.6/0.8 GPF (6/3 LPF) or 1.28/0.8 GPF (4.8/3 LPF)
- Anti-siphon fill valve
- Impact resistant high density polyethylene (HDPE) tank, insulated to prevent condensation
- 16-gauge, powder-coated, structural-steel tubing rated to 880 lbs. (400 kg) without damage to finished wall or carrier unit
- Bowl rim height adjustments from 15" to 19" (381 to 483 mm)
- 49" (1245 mm) frame height
- For finished walls up to 3½" (9cm) thick
- For use with Geberit Sigma actuator plates (not included)
- Includes installation and rough-in materials

Complies with the latest editions of:

- ASME: A112.6.2, A112.19.5, A112.19.14
- ANSI Z124.4
- CSA B125.3
- ANSI/ASSE 1002
- IAPMO PS-50
- UNAR / UNAR-HET
- ASME A112.19.2
- This concealed tank is WaterSense® listed or compliant when used in combination with the toilet bowl models listed on page 3 of this sheet
- State of Massachusetts listed

WARRANTY

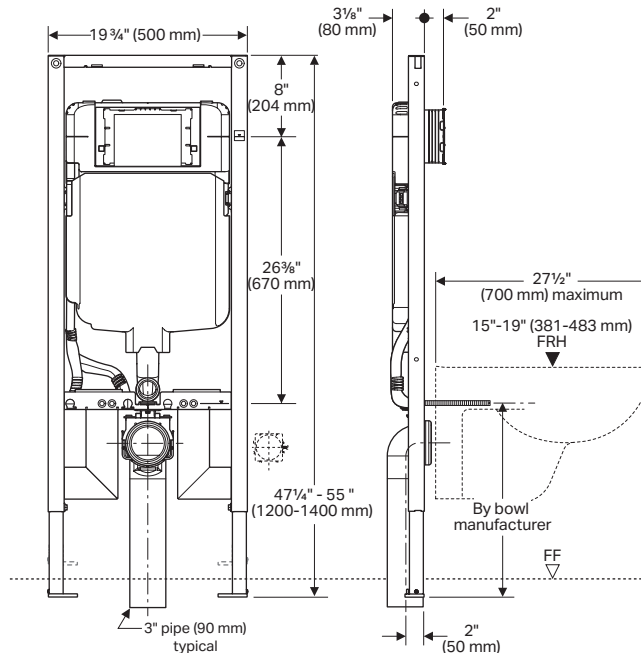
- Limited lifetime warranty on tank and carrier, 10-year warranty on fill valve and flush valve. One-year warranty on actuator flush plates.

Not intended for installation within outside walls or for use with water supply temperatures less than 32°F (0°C) or greater than 65°F (18°C).

Products marked with comply with the American Disabilities Act (ADA) when installed per the requirements of the latest ADA Accessibility Guidelines (ADAAG) and/or ICC/ANSI A117.1.

| Model No. | Description | |
|--------------|--|--|
| 111.798.00.1 | Carrier frame with 1.60/0.8 GPF Sigma Concealed Tank | |
| 111.597.00.1 | Carrier frame with 1.28/0.8 GPF Sigma Concealed Tank | |

Where water closet grab bars are required and corresponding reinforcement provided as outlined in the latest NYC Building Code and Federal FHA Guidelines, the installed product complies both for grab bars installed at the time of initial construction as well as for grab bars planned for future installation.



ARCHITECT/ENGINEER APPROVAL

Job Name: _____

Date: _____ Quantity: _____

Model Specified: _____

Variations Specified: _____

Customer/Wholesaler: _____

Contractor: _____

Architect: _____

GEBERIT INSTALLATION SYSTEM

For 1.6/0.8 GPF (6/3 LPF) and 1.28/0.8 GPF (4.8/3 LPF) Wall-Hung Toilets, 2x4 Installations

COMPATIBLE 1.28/0.8 GPF (4.8/3 LPF) WALL-HUNG TOILET BOWL MODELS



| Brand Name | Model Number* | Model Name |
|------------|------------------|-----------------|
| Axent | E310 | AxentOnePlus |
| | W718 | Italica |
| Duravit | 257709 | D-Neo |
| | 251009 | ME by Starck |
| | 252909*** | ME by Starck |
| | 252959 | ME by Starck |
| | 253009 | ME by Starck |
| | 251109 | Viu |
| | 251159 | Viu |
| Laufen | 8.2033.9 | Kartell |
| | 8.2085.8 | The New Classic |
| | 8.2028.8 | Val |
| TOTO | CT426CFG#01 | AP |
| | CT426CFGT40#01 | AP |
| | CT428CFG#01** | EP |
| | CT428CFGT40#01** | EP |
| | CT447CFG#01 | RP |
| | CT427CFG#01 | RP Compact |
| | CT447CFGT60#01 | RP |
| | CT449CFG#01 | SP |
| | CT449CFGT60#01 | SP |

WATERSENSE LISTED EPA HIGH EFFICIENCY COMPATIBLE 1.28/0.8 GPF (4.8/3 LPF) WALL-HUNG TOILET BOWL MODELS



| Brand Name | Model Number* | Model Name |
|------------|------------------|-----------------|
| Axent | E310 | AxentOnePlus |
| | W718 | Italica |
| Duravit | 257709 | D-Neo |
| | 251009 | ME by Starck |
| | 252909*** | ME by Starck |
| | 252959 | ME by Starck |
| | 253009 | ME by Starck |
| | 251109 | Viu |
| | 251159 | Viu |
| Laufen | 8.2033.9 | Kartell |
| | 8.2085.8 | The New Classic |
| | 8.2028.8 | Val |
| TOTO | CT426CFG#01 | AP |
| | CT426CFGT40#01 | AP |
| | CT428CFG#01** | EP |
| | CT428CFGT40#01** | EP |
| | CT447CFG#01 | RP |
| | CT427CFG#01 | RP Compact |
| | CT447CFGT60#01 | RP |
| | CT449CFG#01 | SP |
| | CT449CFGT60#01 | SP |

GEBERIT INSTALLATION SYSTEM

For 1.6/0.8 GPF (6/3 LPF) and 1.28/0.8 GPF (4.8/3 LPF) Wall-Hung Toilets, 2x4 Installations

COMPATIBLE 1.6/0.8 GPF (6/3 LPF) WALL-HUNG TOILET BOWL MODELS



| Brand Name | Model Number* | Model Name |
|---------------|---------------|-----------------|
| Blu Bathworks | LW6008 | Coco |
| | LW6030A | Coco |
| | LW6020A | Metrix |
| Devon & Devon | WCSBLU | Blues |
| | WCSNET | Etoile |
| | WCSET | New Etoile |
| | WCSRO | Rose |
| Duravit | 253509*** | D-Code |
| | 254409** | Darling New |
| | 254459** | Darling New |
| | 254509 | Darling New |
| | 253609** | DuraStyle |
| | 253709** | DuraStyle |
| | 253759** | DuraStyle |
| | 253809 | DuraStyle |
| | 254209 | DuraStyle |
| | 254259 | DuraStyle |
| | 255109 | DuraStyle |
| | 256209** | DuraStyle Basic |
| | 222209 | Happy D.2 |

| Brand Name | Model Number* | Model Name |
|------------|---------------|------------------|
| Duravit | 255009 | Happy D.2 |
| | 253309 | Starck 2 |
| | 253359 | Starck 2 |
| | 253409 | Starck 2 |
| | 222509*** | Starck 3 |
| | 222609 | Starck 3 |
| | 222659 | Starck 3 |
| | 252709*** | Starck 3 |
| | 222709 | Starck 3 compact |
| DXV | D23050A000 | Belshire |
| | D23010S000 | Cossu |
| | D23040A000 | Modulus |
| Icera | C-5170 | Karo |
| | C-5530 | Vista |
| Kallista | P70360-00-0 | Pleó |
| Kohler | K-6918 | Memoirs |
| | K-6299 | Veil |
| | K-6300 | Veil |

| Brand Name | Model Number* | Model Name | |
|--------------|-----------------|-------------------|--------------|
| Lacava | 5051WC | Giulia | |
| | 5051WC-MB | Navi | |
| | 6058.1 | Suave | |
| Laufen | 820978 | IlBagnoAlessi One | |
| | 820950*** | Laufen Pro | |
| | 820968 | Laufen Pro | |
| | 820969 | Laufen Pro | |
| Neo-Metro | 820963** | Laufen Pro S | |
| | 8951-W-1 | Euro-Urban | |
| | 8957 | Metaal | |
| 8952 | | miniLOO | |
| | Villeroy & Boch | 4688 UR XX** | Architectura |
| | | 5864 U1 XX | Architectura |
| 5628 U1 XX | Memento | | |
| 6661 U0 XX | Strada | | |
| 4609 UR XX** | Subway | | |
| 5600 U0 XX | Subway | | |
| 5614 UR XX | Subway | | |

WATERSENSE LISTED EPA HIGH EFFICIENCY COMPATIBLE 1.6/0.8 GPF (6/3 LPF) WALL-HUNG TOILET BOWL MODELS



| Brand Name | Model Number* | Model Name |
|------------|---------------|------------------|
| Duravit | 253509 | D-Code |
| | 254409 | Darling New |
| | 254459 | Darling New |
| | 254509 | Darling New |
| | 253609 | DuraStyle |
| | 253709 | DuraStyle |
| | 253809 | DuraStyle |
| | 254209 | DuraStyle |
| | 254259 | DuraStyle |
| | 255109 | DuraStyle |
| | 256209 | DuraStyle Basic |
| | 222209 | Happy D.2 |
| | 255009 | Happy D.2 |
| | 253309 | Starck 2 |
| | 253359 | Starck 2 |
| | 253409 | Starck 2 |
| | 222509 | Starck 3 |
| | 222609 | Starck 3 |
| | 222659 | Starck 3 |
| | 252709 | Starck 3 |
| | 222709 | Starck 3 compact |

| Brand Name | Model Number* | Model Name |
|-----------------|---------------|-------------------|
| DXV | D23050A000 | Belshire |
| | D23010S000 | Cossu |
| | D23040A000 | Modulus |
| Icera | C-5170 | Karo |
| | C-5530 | Vista |
| Kohler | K-6918 | Memoirs |
| | K-6299 | Veil |
| | K-6300 | Veil |
| Lacava | 5051WC | Giulia |
| | 6058.1 | Suave |
| Laufen | 820978 | IlBagnoAlessi One |
| | 820950 | Laufen Pro |
| | 820968 | Laufen Pro |
| | 820969 | Laufen Pro |
| Villeroy & Boch | 820963 | Laufen Pro S |
| | 4688 UR XX | Architectura |
| | 5864 U1 XX | Architectura |
| 5628 U1 XX | Memento | |
| 4609 UR XX | Subway | |
| 5600 U0 XX | Subway | |
| 5614 UR XX | Subway | |

- * Consult toilet manufacturers for up-to-date model numbers and availability.
- ** Meets 600 grams MaP performance score.
- *** Meets 800 grams MaP performance score.

Geberit
 2100 S. Clearwater Drive
 Des Plaines, IL 60018
 USA

P 847-803-7777
F 847-849-1845

www.geberit.us

GEBERIT SIGMA01 ACTUATORS

For Sigma Concealed Tanks, 2x6 and 2x4 Installations

SPECIFICATIONS

Actuators for concealed tank and carrier system. Actuator flush plates and push buttons shall be molded plastic and plated to guard against scratches. All components shall be compliant with applicable codes and product standards.

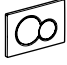
FEATURES

- Designed to maintain appearance push after push
- Moving parts are accessible behind actuator flush plate
- Made of molded plastic and plated
- Available in a variety of unique combinations of finish/color
- Incorporates water saving possibilities when used with Geberit dual-flush tanks 1.6 GPF (6 LPF) and 0.8 GPF (3 LPF) or 1.28 GPF (4.8 LPF) and 0.8 GPF (3 LPF)
- Includes mounting frame and hardware

WARRANTY

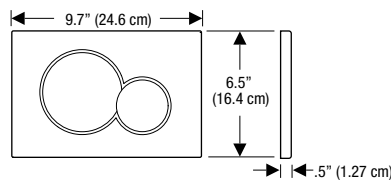
- One-year limited warranty

Dual-Flush Actuators, Sigma 2x6 and 2x4 Installation

| Style | Material | Finish | Model No. |
|---|----------|------------------------------|--------------|
|  Sigma01 | Plastic | Alpine White | 115.770.11.5 |
| | | Polished Chrome | 115.770.21.5 |
| | | Matte Chrome | 115.770.JQ.5 |
| | | Brass Galvanized <i>NEW!</i> | 115.770.DT.5 |
| | | Jet Black <i>NEW!</i> | 115.770.DW.5 |

DIMENSIONS


Sigma01 Dual-Flush



Geberit
2100 S. Clearwater Drive
Des Plaines, IL 60018
USA

P 847-803-7777
F 847-849-1845

www.geberit.us

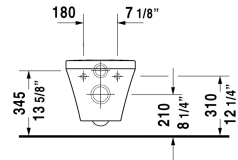
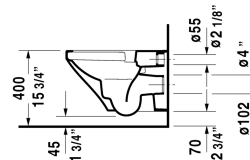
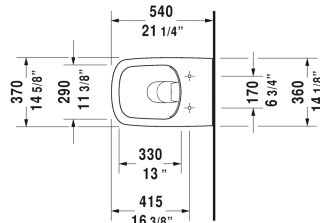
Products marked with  comply with the American Disabilities Act (ADA) when installed per the requirements of the latest ADA Accessibility Guidelines (ADAAG) and/or ICC/ANSI A117.1.



| ARCHITECT/ENGINEER APPROVAL | |
|-----------------------------|-----------------|
| Job Name: | _____ |
| Date: | Quantity: _____ |
| Model Specified: | _____ |
| Variations Specified: | _____ |
| Customer/Wholesaler: | _____ |
| Contractor: | _____ |
| Architect: | _____ |

DuraStyle Toilet wall-mounted Duravit Rimless® ♂ #
255109..92

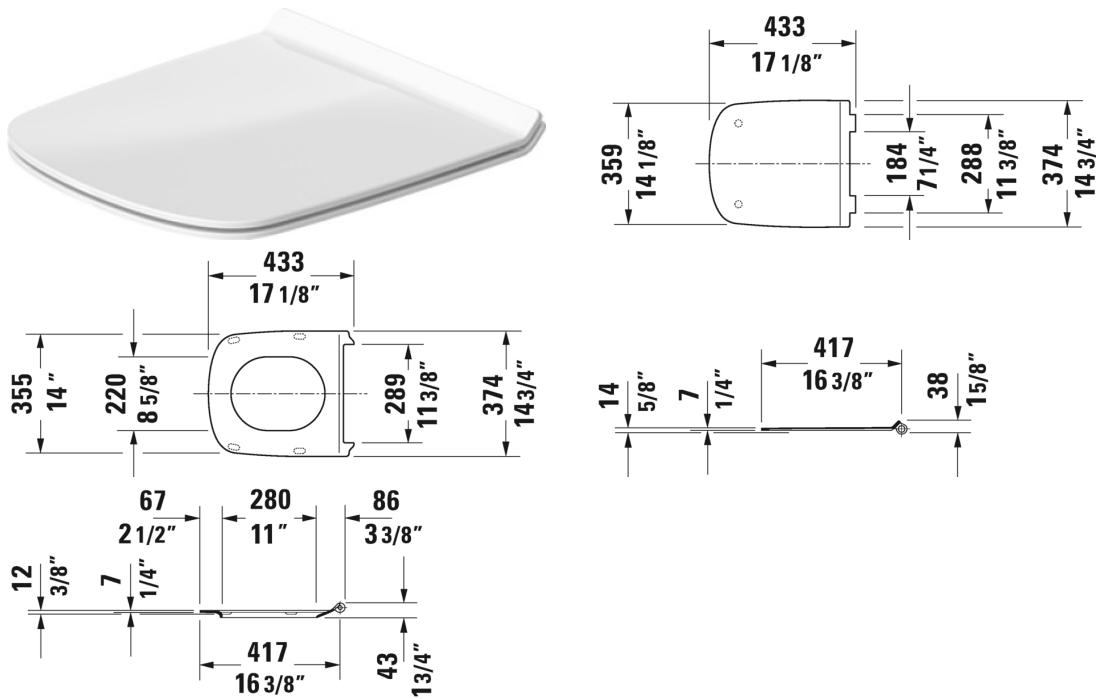
< 14 5/8" Inch >



| Toilet wall-mounted Duravit Rimless® | Dimension | Weight | Order number |
|--|------------------------|---------|--------------|
| rimless, washdown model, Durafix included, cUPC® listed* | | | |
| Colors | | | |
| 00 White 20 HygieneGlaze (an antibacterial ceramic glaze that provides almost indefinite effectiveness) | | | |
| Variant | | | |
| ♣ 1.6/0.8 gpf | 14 5/8" x 21 1/4" Inch | 63.3 lb | 255109..92 |
| Infobox | | | |
| * Complies with following standards: ASME A112.19.2/CSA B45.1 and ASME A112.19.14, Durafix for concealed fixation is included, In-wall tank & carrier and actuator plate required for installation / Refer to page XXX, Wall-mounted toilet is ADA compliant, when installed with a seat height of 17" - 19" from the finished floor | | | |
| Sanitary ceramics with the special WonderGliss surface finish will remain clean and attractive-looking for a long time to come. When ordering WonderGliss please add a "1" as eleventh digit to the model number. | | | |
| Sigma 01 flush plate, dual flush for toilets, White | 9 5/8" x 6 1/2" Inch | | 115770 |
| Geberit carrier for toilets | 19 3/4" x 3 1/8" Inch | 37.5 lb | 111798 |
| Geberit in-wall tank and carrier for toilets, width 19 3/4", depth 5 1/2", height (adjustable) 43" - 47" | 19 3/4" x 5 1/2" Inch | 40.8 lb | 111335 |
| Noise reduction gasket for wall-mounted toilet | | 0.7 lb | 005064 |
| Suitable products | | | |
| Toilet seat and cover hinges stainless steel, without slow close, | | | 006371 |
| Toilet seat and cover hinges stainless steel, removable, with slow close, | | | 006379 |

All drawings contain the necessary measurements which are subject to standard tolerances. They are stated in inch & mm and are non-binding. Exact measurements, in particular for customized installation scenarios, can only be taken from the finished ceramic piece.

DuraStyle Toilet seat and cover # 0063790000



| Toilet seat and cover | Dimension | Weight | Order number |
|---|------------------------|--------|--------------|
| hinges stainless steel, removable, with slow close | | | |
| Colors | | | |
| 00 White | | | |
| Variant | | | |
| | | 6.2 lb | 0063790000 |
| Suitable products | | | |
| Toilet wall-mounted Duravit Rimless® rimless, washdown model, cUPC® listed*, WaterSense® listed, 14 5/8" x 21 1/4" Inch | 14 5/8" x 21 1/4" Inch | | 253809 |
| Toilet wall-mounted Duravit Rimless® rimless, washdown model, Durafix included, cUPC® listed*, WaterSense® listed, 14 5/8" x 21 1/4" Inch | 14 5/8" x 21 1/4" Inch | | 255109 |

All drawings contain the necessary measurements which are subject to standard tolerances. They are stated in inch & mm and are non-binding. Exact measurements, in particular for customized installation scenarios, can only be taken from the finished ceramic piece.