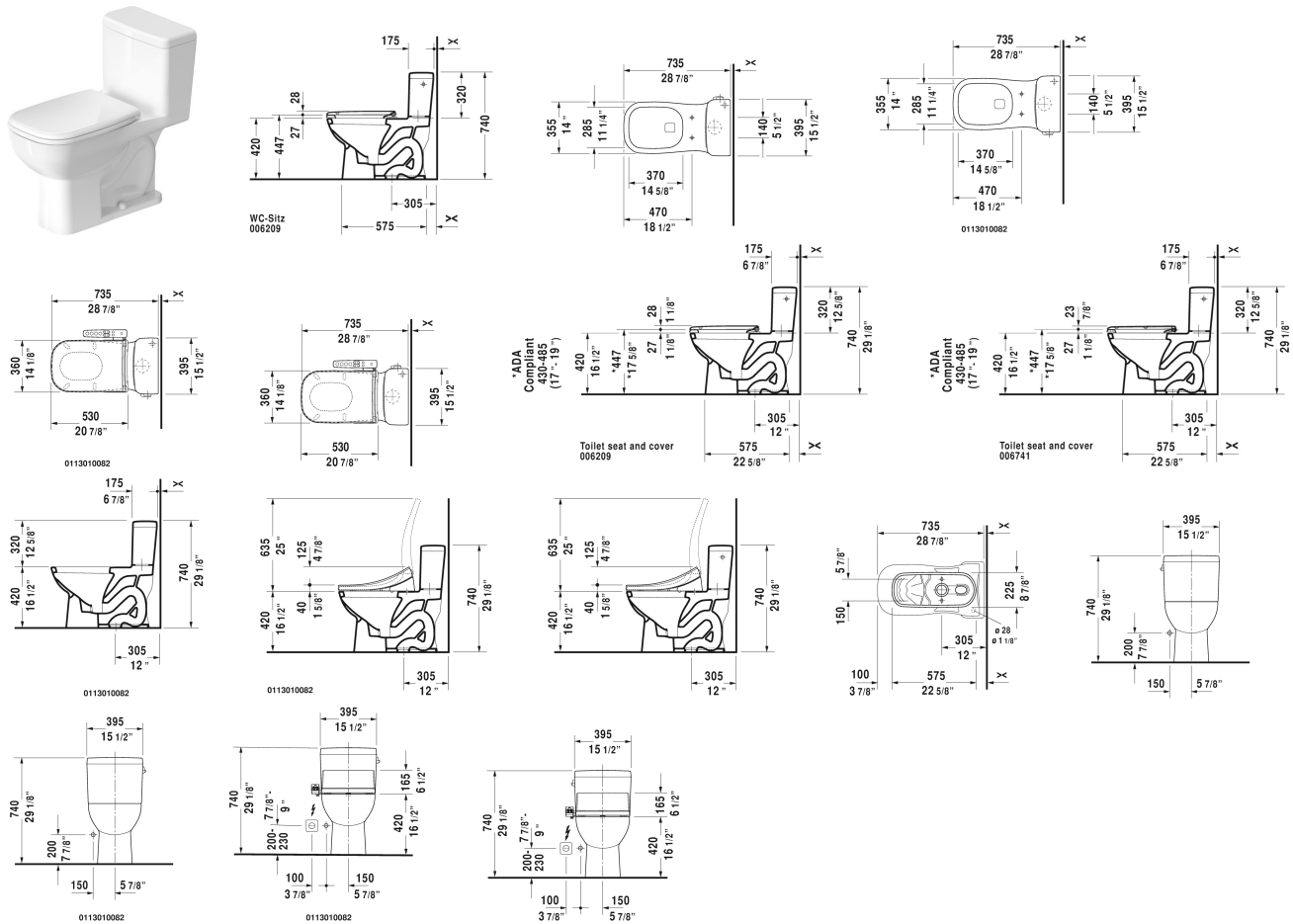


D-Code One-Piece toilet # 011301..01 / 011301..82 / 011301..82

< 15 1/2" Inch >



One-Piece toilet	Dimension	Weight	Order number
syphonic, 12" rough-in, vertical outlet, cUPC® listed*, WaterSense® listed, 1.28 gpf			
Colors			
00 White 20 HygieneGlaze (an antibacterial ceramic glaze that provides almost indefinite effectiveness)			
Variant			
• with single flush mechanism with side lever left	15 1/2" x 28 7/8" Inch	87 lb	011301..01
• with single flush mechanism with side lever right	15 1/2" x 28 7/8" Inch	87 lb	011301..82
• with single flush mechanism with side lever right	15 1/2" x 28 7/8" Inch	87 lb	011301..82
Infobox			
* Complies with following standards: ASME A112.19.2/CSA B45.1			

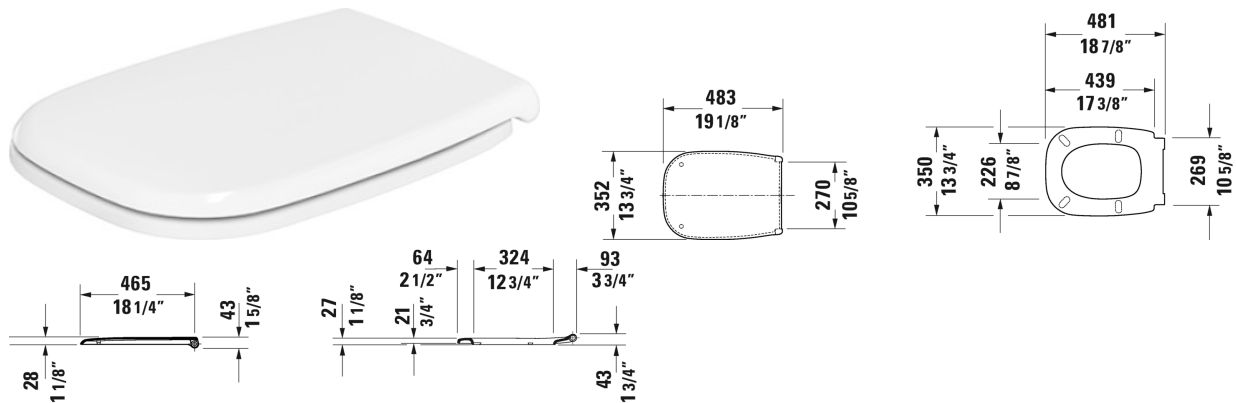
D-Code One-Piece toilet # 011301..01 / 011301..82 / 011301..82

|< 15 1/2" Inch >|

Mounting set for One-Piece and Two-Piece toilets, outlet 3/8" - male thread, wall connection 1/2" - female thread, 1/2", North American version	15" Inch 1.1 lb 001431
Suitable products	
Toilet seat and cover elongated, hinges stainless steel, without slow close,	006741
Toilet seat and cover elongated, hinges stainless steel, removable, with slow close,	006209

All drawings contain the necessary measurements which are subject to standard tolerances. They are stated in inch & mm and are non-binding. Exact measurements, in particular for customized installation scenarios, can only be taken from the finished ceramic piece.

D-Code Toilet seat and cover # 0062090096



Toilet seat and cover	Dimension	Weight	Order number
elongated, hinges stainless steel, removable, with slow close			
Colors			
00 White			
Variant			
		5.5 lb	0062090096
Suitable products			
One-Piece toilet syphonic, 12" rough-in, vertical outlet, cUPC® listed*, WaterSense® listed, 1.28 gpf, 15 1/2" x 28 7/8" Inch	15 1/2" x 28 7/8" Inch		011301
Two-Piece toilet (without tank), syphonic, 12" rough-in, vertical outlet, cUPC® listed*, WaterSense® listed, 13 3/4" x 27" Inch	13 3/4" x 27" Inch		011701

All drawings contain the necessary measurements which are subject to standard tolerances. They are stated in inch & mm and are non-binding. Exact measurements, in particular for customized installation scenarios, can only be taken from the finished ceramic piece.