



Installation instructions

Wall Mounted Sink



Important information

4



Installation

10



About these instructions

These mounting instructions come as part of the Duravit product and are to be read carefully prior to the installation.

Target readership and qualifications

This is a professional grade product. A working knowledge of construction techniques and code compliant plumbing installation are required for proper installation and user satisfaction. The product must be installed by a licensed plumber.

Explanation of the signal words and symbols

NOTE!

To avoid property damage



Link to the **mounting instructions** in this section



Inspection (e.g. for scratches)



Check for leaks and leak-tightness



Indication of the length of time (e.g. 10 minutes)

Safety instructions

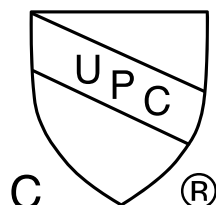
Product and/or property damage

The breach of local and country-specific regulations and standards can cause damage to the product and/or property damage.

> Observe the local installation regulations and any country-specific standards at all times.

Prior to installation

Please read the specifications sheets prior to installation. Specification sheets are available for download at www.pro.duravit.us.

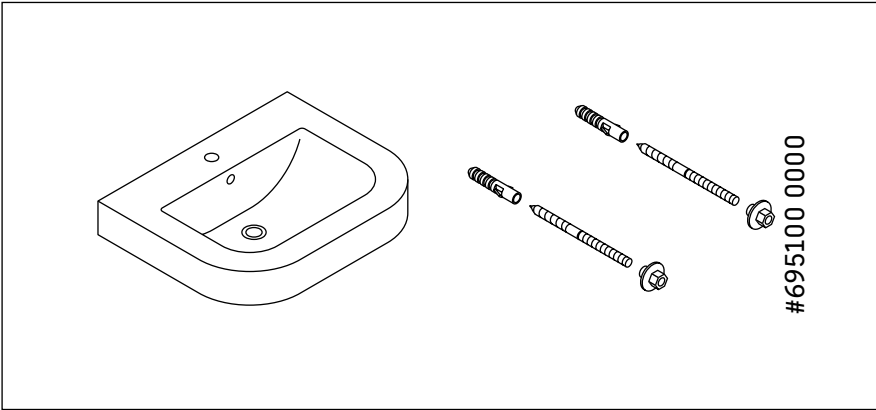


Products are in compliance with the following codes:

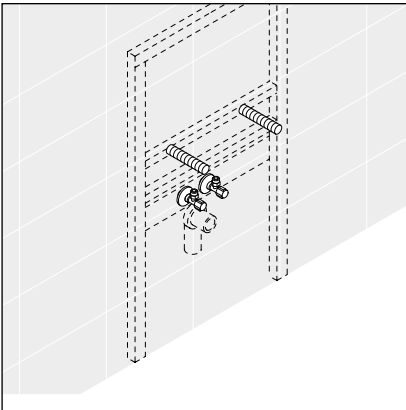
- Uniform Plumbing Code (UPC®)
- National Plumbing Code of Canada
- Following standards: ASME A112.19.2/CSA B45.1



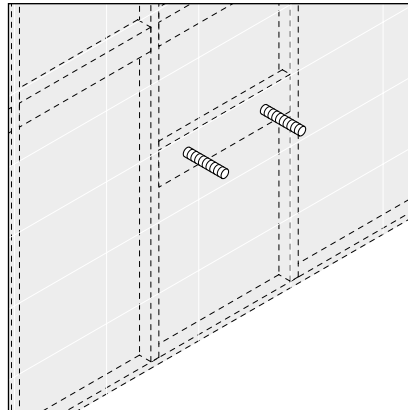
Delivery contents



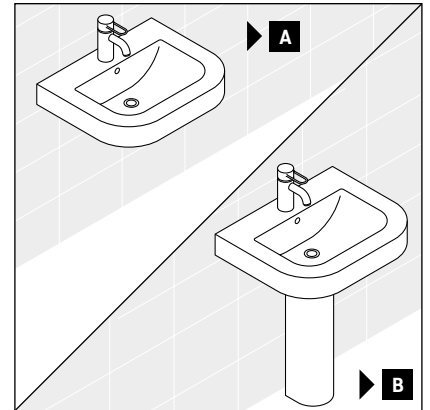
The sink will include mounting hardware model # 695100 0000.
 The plastic anchors provided are for concrete wall applications. For wood stud walls, the lag bolts should be screwed into the wood backing.



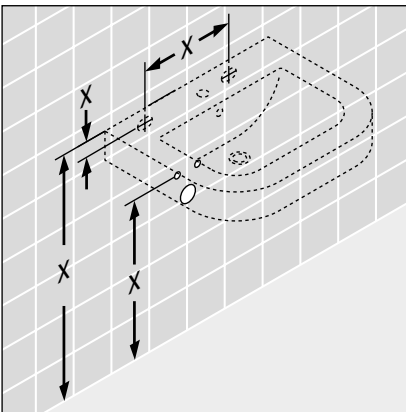
When mounting the sink on a pre-wall carrier, install the mounting bolts to the element.



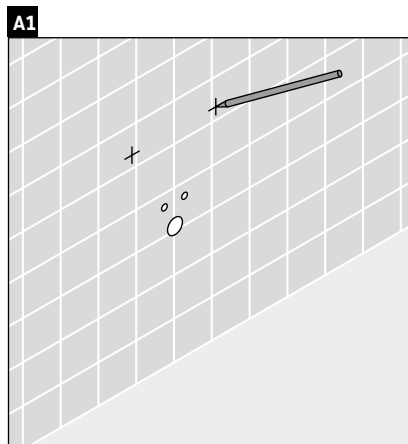
When mounting the sink into a wood stud wall, there must be adequate bracing. We recommend doubling up 2x6's or 2x8's between the studs to form a solid anchoring point. Reference the sink specification sheet to establish the height and the spacing of the mounting bolts.



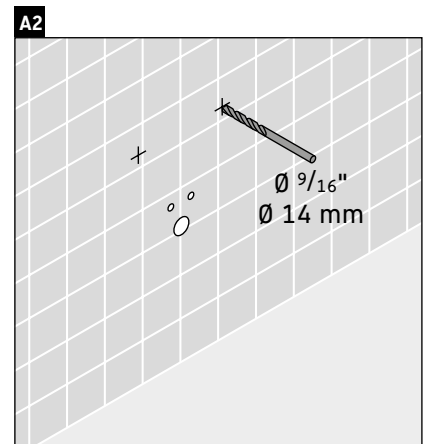
Sink
 > Continue with mounting A
 Sink with pedestal
 > Continue with mounting B



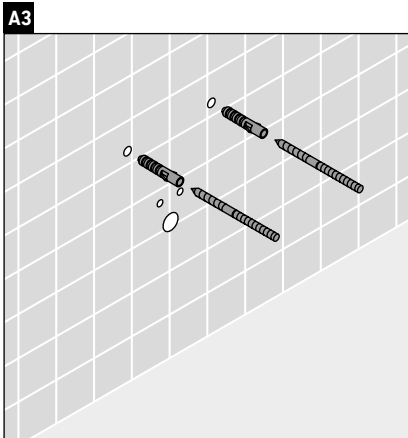
The sink specification sheet will provide the recommended mounting height and show the location of the mounting holes. (The height can be adjusted to your personal preference)



> Mark the location of the mounting holes.

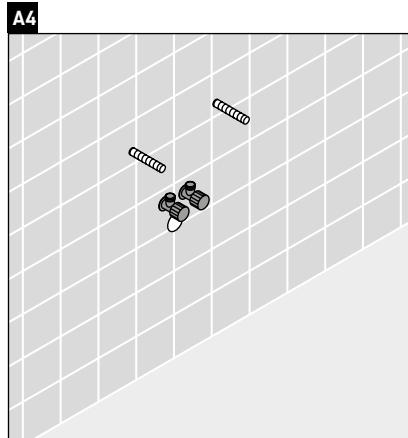


> Using the appropriate bit for the wall material, drill pilot holes.

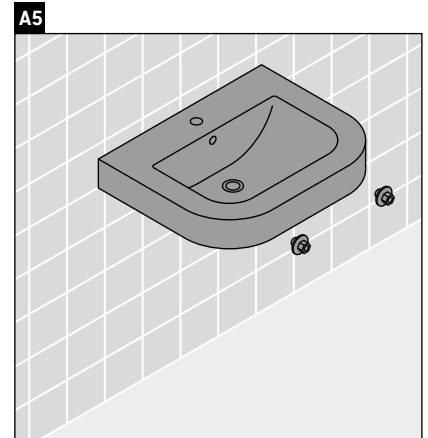


Please note if the sink will be mounted on a concrete wall application, anchors must be used.

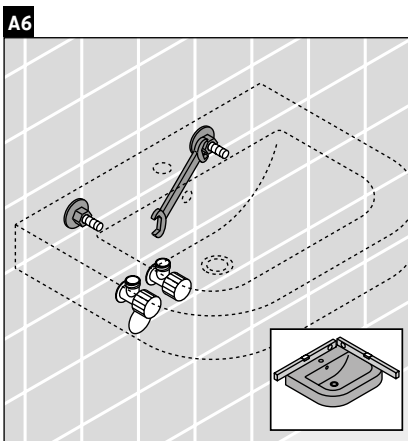
- > Screw mounting bolts into the pre-drilled holes with an adjustable wrench.
- > Screw in the full length of the mounting bolt, so the lag thread is no longer visible.



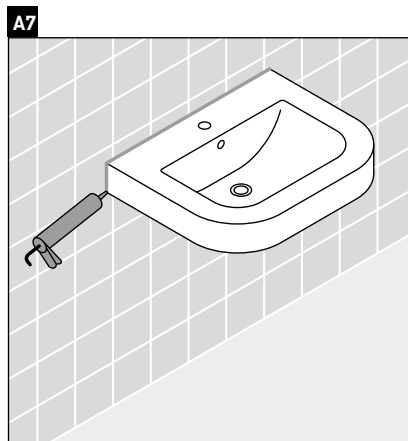
> Install shut off valves according to manufacturer's installation instructions.



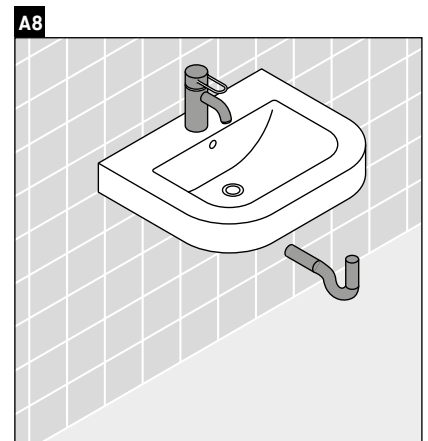
- > Carefully slide sink onto the mounting bolts.
- > Insert white plastic sleeve over the bolt and into the hole of the sink.
- > Install provided washer and nut.
- > Hand tighten the nut so the sink is secure.



- > Leveling the sink: the white plastic sleeves protect the china from the metal bolt and allow for slight adjustment in the height of the sink to level it.



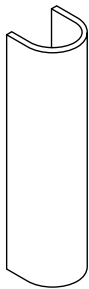
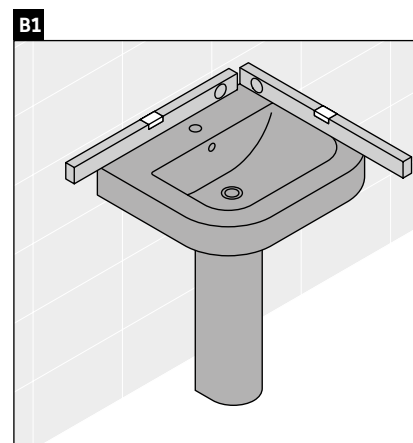
- > Apply silicone around sink edges.



- > Install faucet and p-trap assembly according to manufacturer's installation instructions.



*
 #085810...., #085824...., #085827....,
 #085829...., #085833...., #085836....,
 #085839...., #086327...., #086330....,
 #086341...., #086386...., #086398....,
 #086502...., #086516...., #262200....,
 #085770...., #086321...., #086320....,
 #086308...., #085791...., #085790....,
 #085842....

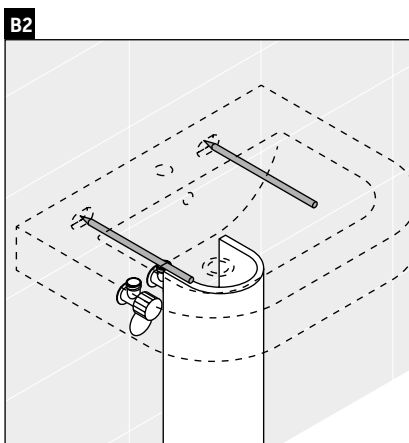
- > Set sink on pedestal leg carefully, then using a level, properly align the sink.

Pedestal

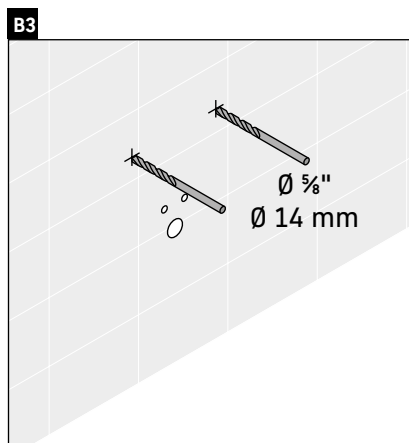
Note!

Pedestal may only be installed with corresponding listed sink.

- > Scan QR Code on packaging label or visit the webaddress [qr.duravit.com/"artlicnumber"](http://qr.duravit.com/) to get listed sink.



- > Mark the location of the mounting holes.
- > Mark the location of the back edge where the sink meets the wall.

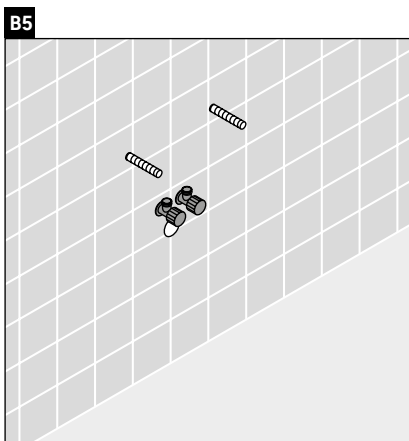


- > Using the appropriate bit for the wall material, drill pilot holes.

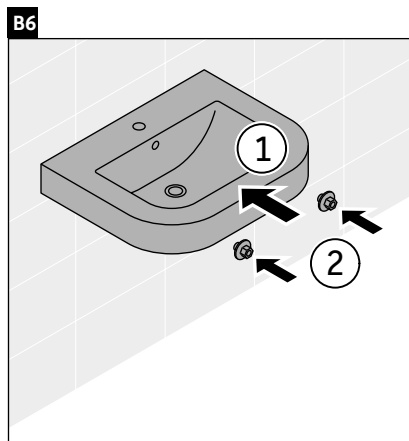


Please note if the sink will be mounted on a concrete wall application, anchors must be used.

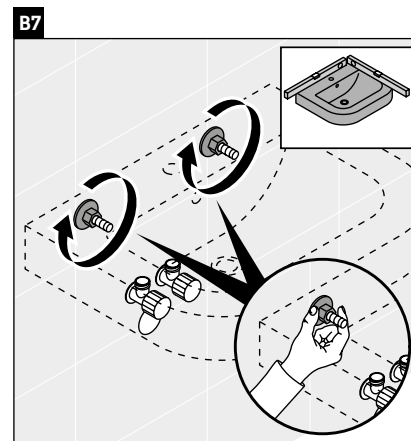
- > Screw mounting bolts into the pre-drilled holes with an adjustable wrench.
- > Screw in the full length of the mounting bolt, so the lag thread is no longer visible.



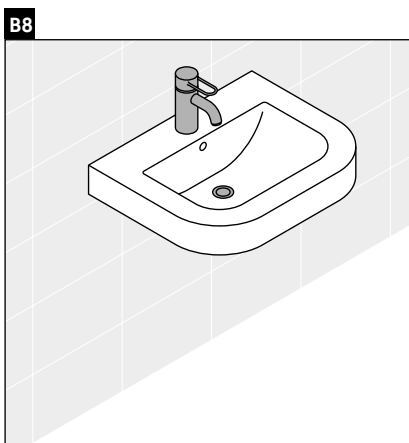
- > Install shut off valves according to manufacturer's installation instructions.



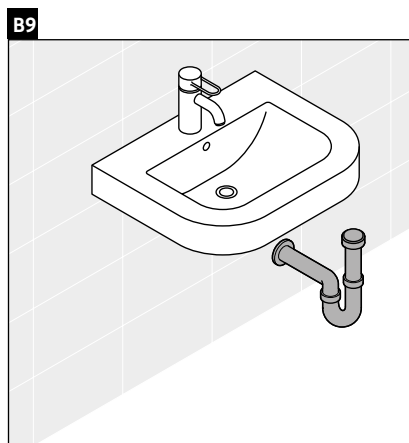
- > Carefully slide sink onto the mounting bolts.
- > Insert white plastic sleeve over the bolt and into the hole of the sink.
- > Install provided washer and nut.
- > Hand tighten the nut so the sink is secure.



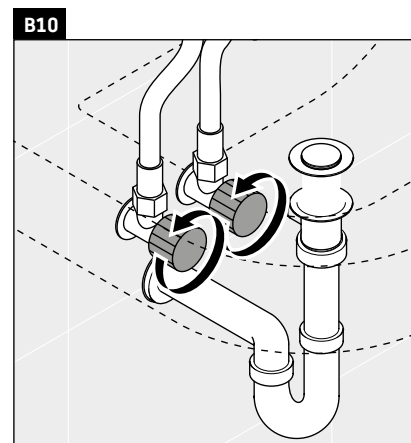
- > Leveling the sink: the white plastic sleeves protect the china from the metal bolt and allow for slight adjustment in the height of the sink to level it.



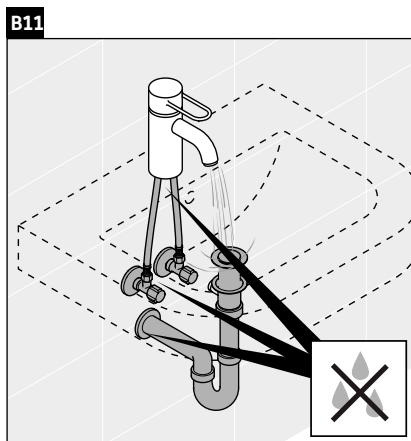
- > Install the faucet according to the corresponding installation instructions.



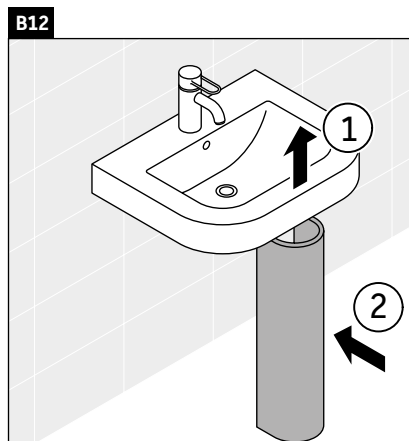
- > Install the p-trap according to the corresponding installation instructions.



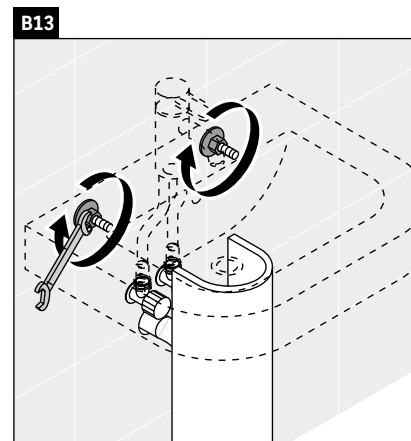
- > Turn on shut off valves to test water flow to faucet and flush valve.



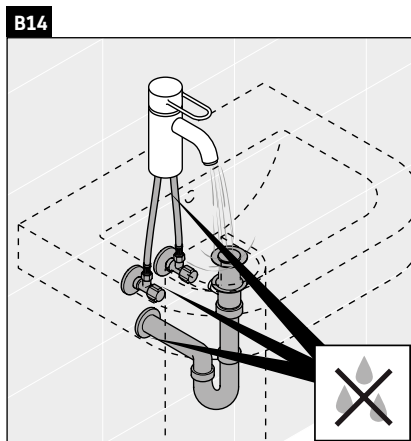
- > Test faucet and flush valve to ensure there are no leaks.



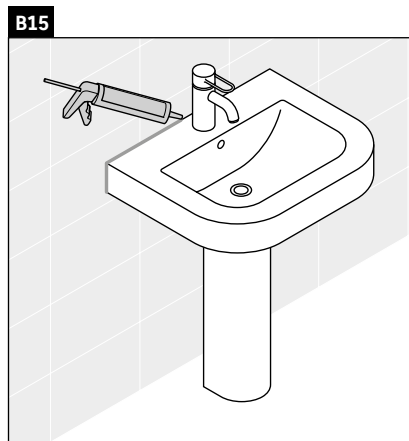
- > Gently lift the front of the sink to allow pedestal to slide underneath. Slightly loosen mounting if needed to allow for safe lift of basin lip.



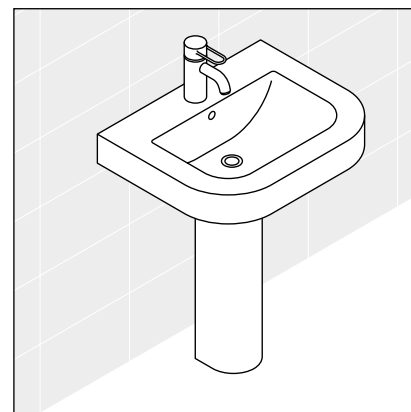
- > Tighten mounting bolts with wrench to secure. Inspect and adjust for proper level.
- > Sink should sit snug upon pedestal base.



- > Test faucet and flush valve to ensure there are no leaks.



- > Apply silicone around sink edges.



DURAVIT USA, INC.
2635 North Berkeley Lake Rd., Ste. 100
Duluth, GA 30096
Toll Free 888-DURAVIT
Phone 770-931-3575
Fax 770-931-8454
info@us.duravit.com
www.duravit.us

