



SPEC SHEET

Codes/Standards

DKY.TPH.MAG.05.00.BR.PCH

Noah Toilet Paper Holder - Wall Mount - 5"

Features

- Suggested room fit: bathrooms..

Material

- Premium material construction with metal handle ensures reliability and durability.
- YACORE finishes resist corrosion and tarnishing.
- Brass.

Dimensions

- W: 5" * H: 1" * D: 4.5"

Weight

- 0.9 Lb



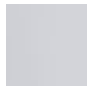
YACORE Toilet Paper Holder

Lifetime Limited Warranty

See website for detailed warranty information.

Available Colors/Finishes

Color tiles intended for reference only.

Color	Code	Description
	PCH	Polished Chrome

Description

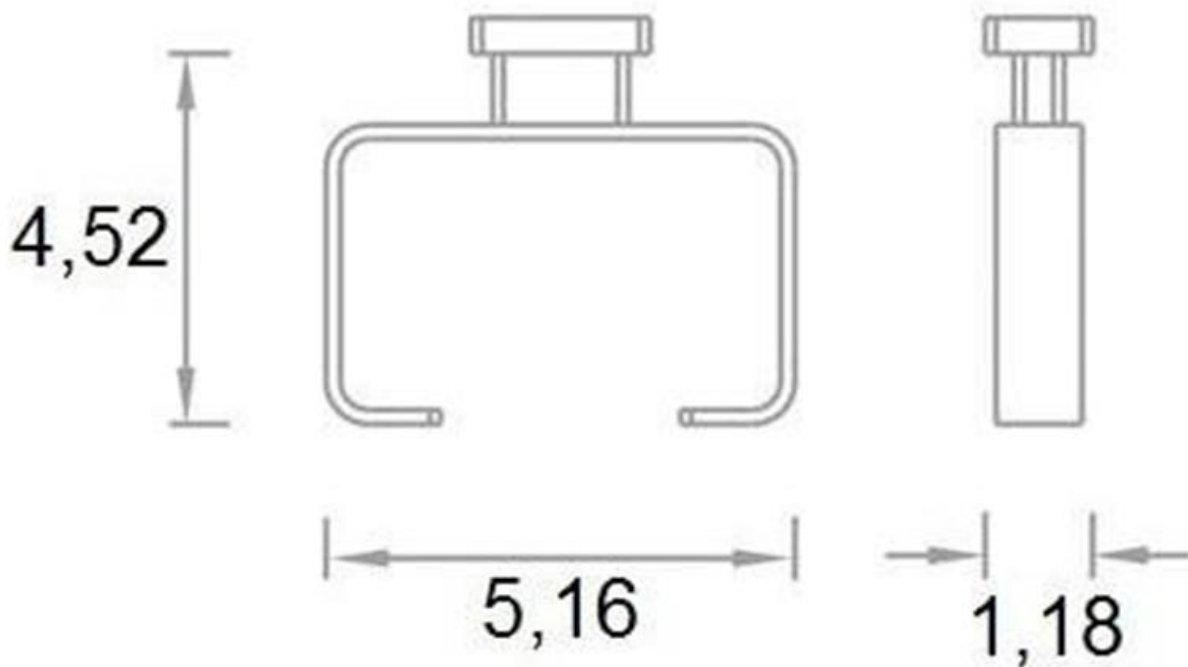
This square wall mounted toilet paper holder with a modern look may be just the right accent for your contemporary décor. Made in brass and finished in polished chrome, it will resist corrosion, work hard, look great and last for years. From our own design Magna collection. Recommended for installation in solid walls like as tile, ceramic, concrete, etc.

2700 SW 3rd Ave Suite 1B, Miami, FL 33129

Tbboutique reserves the right to make revisions without notice to product specifications. For the most current Specification Sheet, go to www.tbboutique.com. 20-11-2021 10:53 - US/CO

Drawing

Noah Toilet Paper Holder -
Wall Mount - 5"



Technical Information

All product dimensions are nominal.

Shower head included: No
Shower arm: No

Notes

Install the product according to the installation guide.