



# SPEC SHEET

## Codes/Standards

DKY.TPH.CLA.06.00.BR

## Classic Toilet Paper Holder - Wall Mount - 6"

### Features

- Suggested room fit: bathrooms..

### Material

- Premium material construction with metal handle ensures reliability and durability.
- YACORE finishes resist corrosion and tarnishing.
- Brass.

### Dimensions

- W: 6" \* H: 4.5" \* D: 3.5"/ Ø: 2.25"



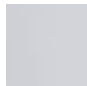
### YACORE Toilet Paper Holder

#### Lifetime Limited Warranty

See website for detailed warranty information.

#### Available Colors/Finishes

*Color tiles intended for reference only.*

Color	Code	Description
	PCH	Polished Chrome

### Description

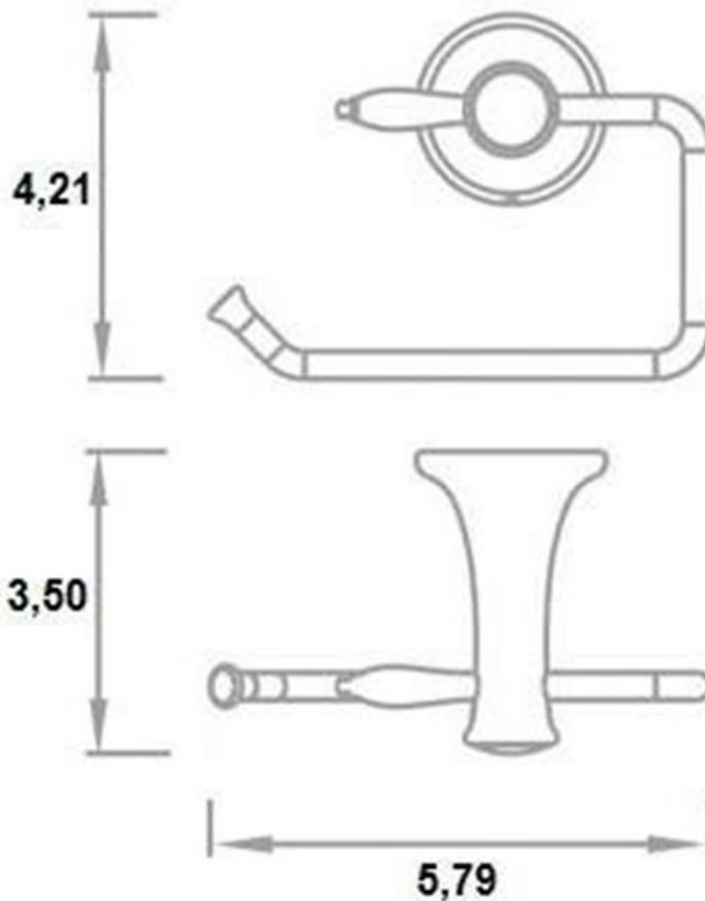
This round wall mounted toilet paper holder with a classic look may be just the right accent for your traditional décor. Made in brass and available in different finishes, it will resist corrosion, work hard, look great and last for years. From our own design Classic collection . Recommended for installation in solid walls or drywall.

2700 SW 3rd Ave Suite 1B, Miami, FL 33129

Tbboutique reserves the right to make revisions without notice to product specifications. For the most current Specification Sheet, go to [www.tbboutique.com](http://www.tbboutique.com). 20-11-2021 10:53 - US/CO

## Drawing

Classic Toilet Paper Holder -  
Wall Mount - 6"



### Technical Information

All product dimensions are nominal.

Shower head included: No  
Shower arm: No

### Notes

Install the product according to the installation guide.