



SPEC SHEET

Codes/Standards

DKY.SSH.SCO.10.00.BG.PCH

Shower Complements Glass Shower Shelf - Wall Mount - 10"

Features

- Suggested room fit: Showers and bathrooms.

Material

- Premium material construction with metal handle ensures reliability and durability.
- YACORE finishes resist corrosion and tarnishing.
- Brass/Glass.

Dimensions

- W: 10" * H: 3.5" * D: 10"

Weight

- 3.5 Lb.



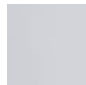
YACORE Shower Shelf

Lifetime Limited Warranty

See website for detailed warranty information.

Available Colors/Finishes

Color tiles intended for reference only.

Color	Code	Description
	PCH	Polished Chrome

Description

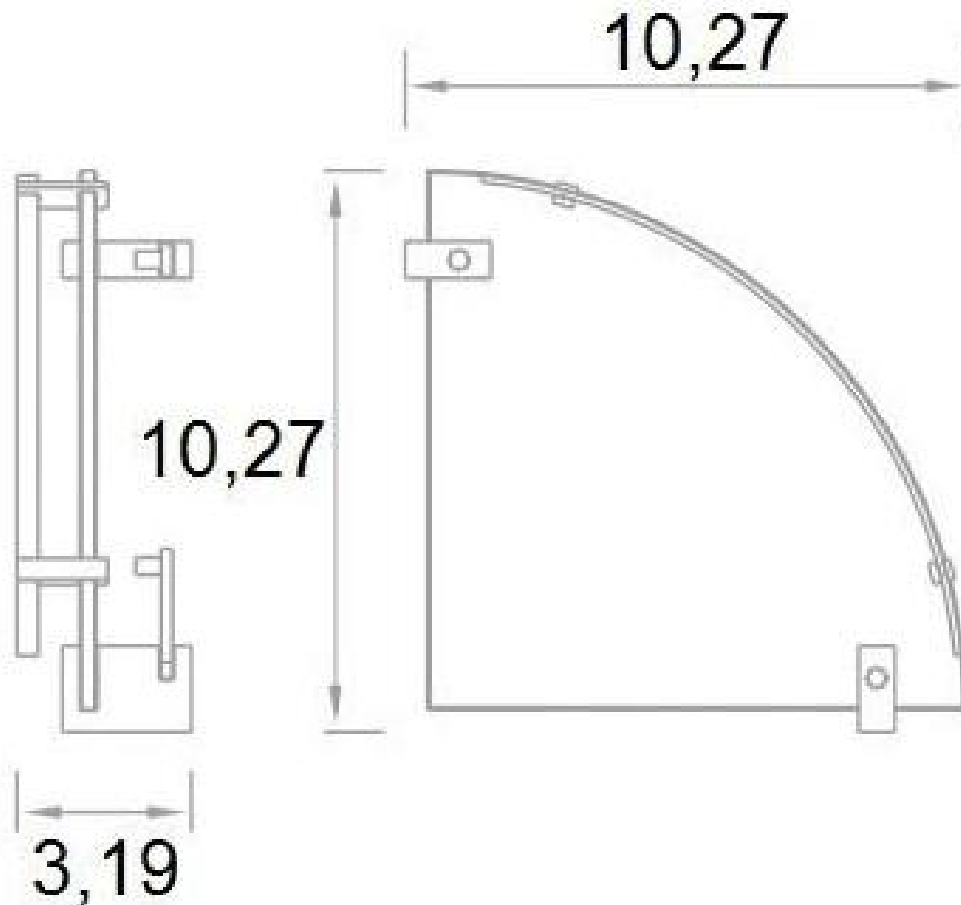
This elegant and modern shower shelf with two hooks for corner installation with a modern look may be just the right accent for your contemporary décor. Made in brass and finished in polished chrome, it will resist corrosion, work hard, look great and last for years. From our own design Shower Complements collection. Glass construction with supports, stop bar and hooks manufactured in brass. Ideal for install in shower corners that provide additional storage space. Glass with beveled corner. The hooks are a perfect complement for the placement of the sponge or the shower brush.

2700 SW 3rd Ave Suite 1B, Miami, FL 33129

Tbboutique reserves the right to make revisions without notice to product specifications. For the most current Specification Sheet, go to www.tbboutique.com. 20-11-2021 10:53 - US/CO

Drawing

Shower Complements Glass Shower Shelf - Wall Mount - 10"



Technical Information

All product dimensions are nominal.

Shower head included: No
Shower arm: No

Notes

Install the product according to the installation guide.