



SPEC SHEET

Codes/Standards

DKY.SBA.SCO.09.00.SS.PCH

Corner Shower Basket - Wall Mount - 9"

Features

- Suggested room fit: Showers and bathrooms.

Material

- Premium material construction with metal handle ensures reliability and durability.
- YACORE finishes resist corrosion and tarnishing.
- Stainless Steel.

Dimensions

- W: 8.75" * H: 2.5" * D: 8.75"

Weight

- 2.0 Lb.



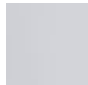
YACORE Shower Basket

Lifetime Limited Warranty

See website for detailed warranty information.

Available Colors/Finishes

Color tiles intended for reference only.

Color	Code	Description
	PCH	Polished Chrome

Description

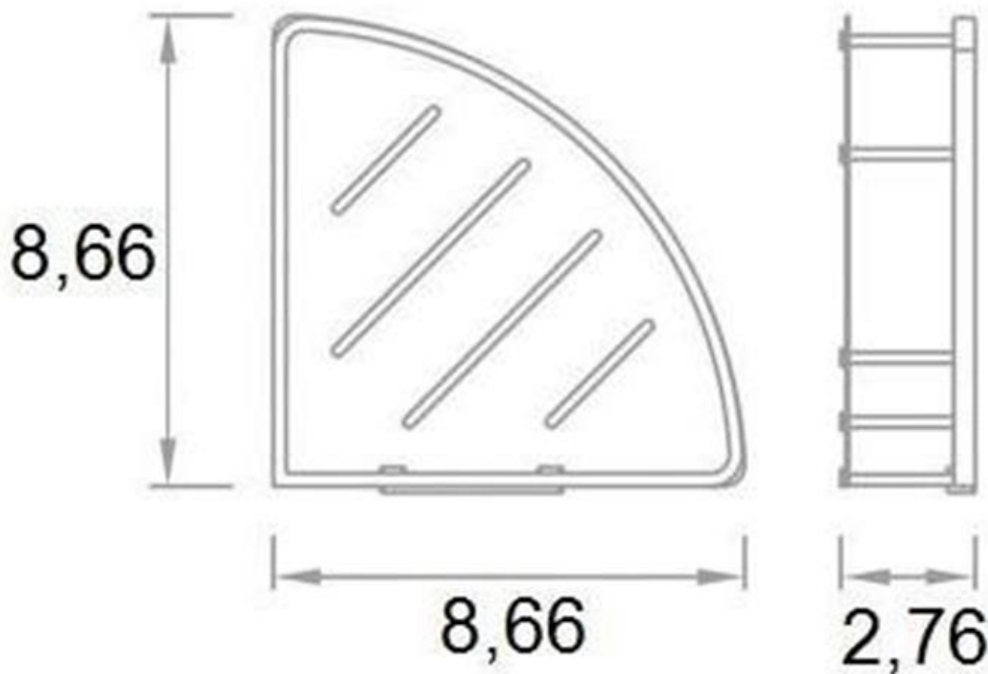
This elegant shower basket with two compartments with a modern look may be just the right accent for your contemporary décor. Made in stainless steel and finished in polished chrome, it will resist corrosion, work hard, look great and last for years. From our own design Shower Complements collection. Ideal to install in shower providing an extra storage space. Easy disassembly for cleaning.

2700 SW 3rd Ave Suite 1B, Miami, FL 33129

Tbboutique reserves the right to make revisions without notice to product specifications. For the most current Specification Sheet, go to www.tbboutique.com. 20-11-2021 10:53 - US/CO

Drawing

Corner Shower Basket - Wall
Mount - 9"



Technical Information

All product dimensions are nominal.

Shower head included: No
Shower arm: No

Notes

Install the product according to the installation guide.