



bathonomy

# SPEC SHEET

## Codes/Standards

COF.HHO.SCO.05.00.PV.MBL

Universal Hand Shower  
Hose - Wall Mount - 59"

## Features

- Round connector on each end.
- Rubber washer on the bracket connector to prevent slipping.
- NPT 1/2 in. inlet and outlet connections.

## Material

- Premium material construction with metal handle ensures reliability and durability.
- BATHONOMY finishes resist corrosion and tarnishing.
- PVC.

## Dimensions

- D: 59" \* Ø: 0.5"

## Weight


- 2 Lb.



**BATHONOMY Shower Hose**  
**Lifetime Limited Warranty**

See website for detailed warranty information.

**Available Colors/Finishes**  
*Color tiles intended for reference only.*

Color	Code	Description
	MBL	Matte Black

## Description

Traditional and modern hand shower hose of our Shower Complements family, a family of components where you will find what you need to complete the installation of your shower. Available in different finishes.

2700 SW 3rd Ave Suite 1B, Miami, FL 33129

Tbboutique reserves the right to make revisions without notice to product specifications. For the most current Specification Sheet, go to [www.tbboutique.com](http://www.tbboutique.com). 20-11-2021 10:53 - US/CO

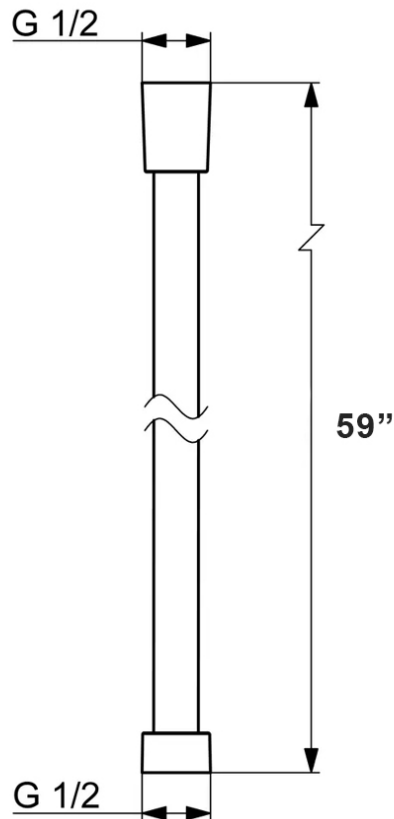


bathonomy

# SPEC SHEET

## Drawing

Universal Hand Shower  
Hose - Wall Mount - 59"



**Codes / Standards compliance:** Uniform Plumbing Code (UPC) National Plumbing Code of Canada  
ASME A112.18.1-2018 / CSA B125.1-18 / ASSE 1016  
IAPMO file number: 8659 (for more info visit: <http://pld.iapmo.org/default.aspx>)

### Technical Information

All product dimensions are nominal.

Shower head included: No  
Shower arm: No

### Notes

Install the product according to the installation guide.

2700 SW 3rd Ave Suite 1B, Miami, FL 33129

Tbboutique reserves the right to make revisions without notice to product specifications. For the most current Specification Sheet, go to [ww.tbboutique.com](http://ww.tbboutique.com). 20-11-2021 10:53 - US/CO