



bathonomy

SPEC SHEET

Codes/Standards

CAN.SIS.SIC.02.02.BR.PCH

Sink Complements Classic Bottle
Sink Siphon - Under Mount - 2"

Features

- Pipe inlet and outlet 1/4 inch.
- Exit tube length: 12 inch.

Material

- Premium material construction with metal handle ensures reliability and durability.
- BATHONOMY finishes resist corrosion and tarnishing.
- Brass.

Dimensions

- W: 13.5" * H: 4.75" * D: 2.25"

Weight

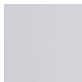
- 1.2 Lb.



BATHONOMY Sink Siphon Lifetime Limited Warranty

See website for detailed warranty information.

Available Colors/Finishes
Color tiles intended for reference only.

Color	Code	Description
	PCH	Polished Chrome



Codes / Standards compliance: Uniform Plumbing Code (UPC) National Plumbing Code of Canada

ASME A112.18.1-2018 / CSA B125.1-18 / ASSE 1016

IAPMO file number: 8659 (for more info visit: <http://pld.iapmo.org/default.aspx>)

SKU for iapmo search LTA1010



Description

The traps take a facelift and now have become decorative elements in their own right ... that little extra that shows that your bathroom has been designed to the last detail. The wall outlet is inserted into the trap and sealed with two successive O-rings. The interior of the trap remains accessible at all times through the access provided below. Made of brass. Corrosion resistant for a long life.

2700 SW 3rd Ave Suite 1B, Miami, FL 33129

Tbboutique reserves the right to make revisions without notice to product specifications. For the most current Specification Sheet, go to www.tbboutique.com. 20-11-2021 10:53 - US/CO

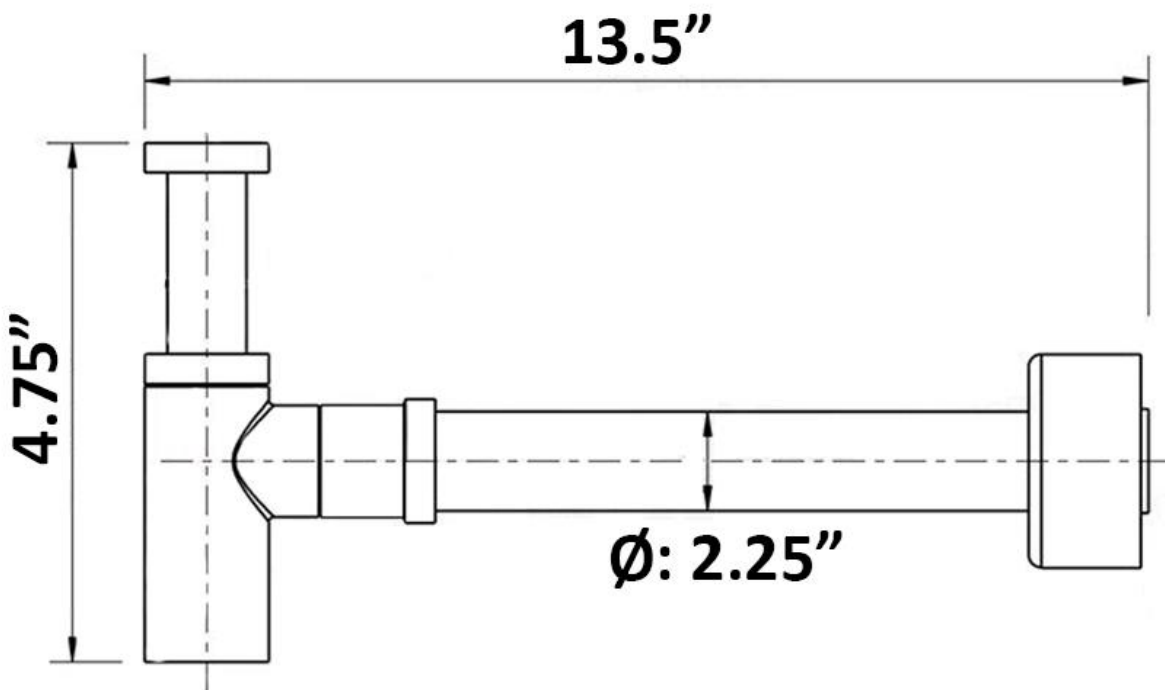


bathonomy

SPEC SHEET

Drawing

Sink Complements Classic Bottle
Sink Siphon - Under Mount - 2"



Technical Information

All product dimensions are nominal.

Shower head included: No
Shower arm: No

Notes

Install the product according to the installation guide.

2700 SW 3rd Ave Suite 1B, Miami, FL 33129

Tbboutique reserves the right to make revisions without notice to product specifications. For the most current Specification Sheet, go to www.tbboutique.com. 20-11-2021 10:53 - US/CO