



bathonomy

SPEC SHEET

Codes/Standards

CAN.SHA.CUB.08.00.BR.PCH

Cubic Shower Arm - Ceiling Mount - 8"

Features

- 1/2 inch male inlet and 1/2 inch male.

Material

- Premium material construction with metal handle ensures reliability and durability.
- BATHONOMY finishes resist corrosion and tarnishing.
- Brass.

Dimensions

- W: 2" * H: 8" * D: 2"

Weight

- 0.6 Lb.

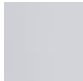


BATHONOMY Shower Arm Lifetime Limited Warranty

See website for detailed warranty information.

Available Colors/Finishes

Color tiles intended for reference only.

Color	Code	Description
	PCH	Polished Chrome



Codes / Standards compliance: Uniform Plumbing Code (UPC) National Plumbing Code of Canada

ASME A112.18.1-2018 / CSA B125.1-18 / ASSE 1016

IAPMO file number: 8659 (for more info visit: <http://pld.iapmo.org/default.aspx>)

SKU for iapmo search LTA1010



Description

Elegant ceiling-mounted shower arm from our Cubic family. Manufactured in brass will make it last in time with the first day Available in stock. Fixed shield not adjustable.

2700 SW 3rd Ave Suite 1B, Miami, FL 33129

Tbboutique reserves the right to make revisions without notice to product specifications. For the most current Specification Sheet, go to www.tbboutique.com. 20-11-2021 10:53 - US/CO

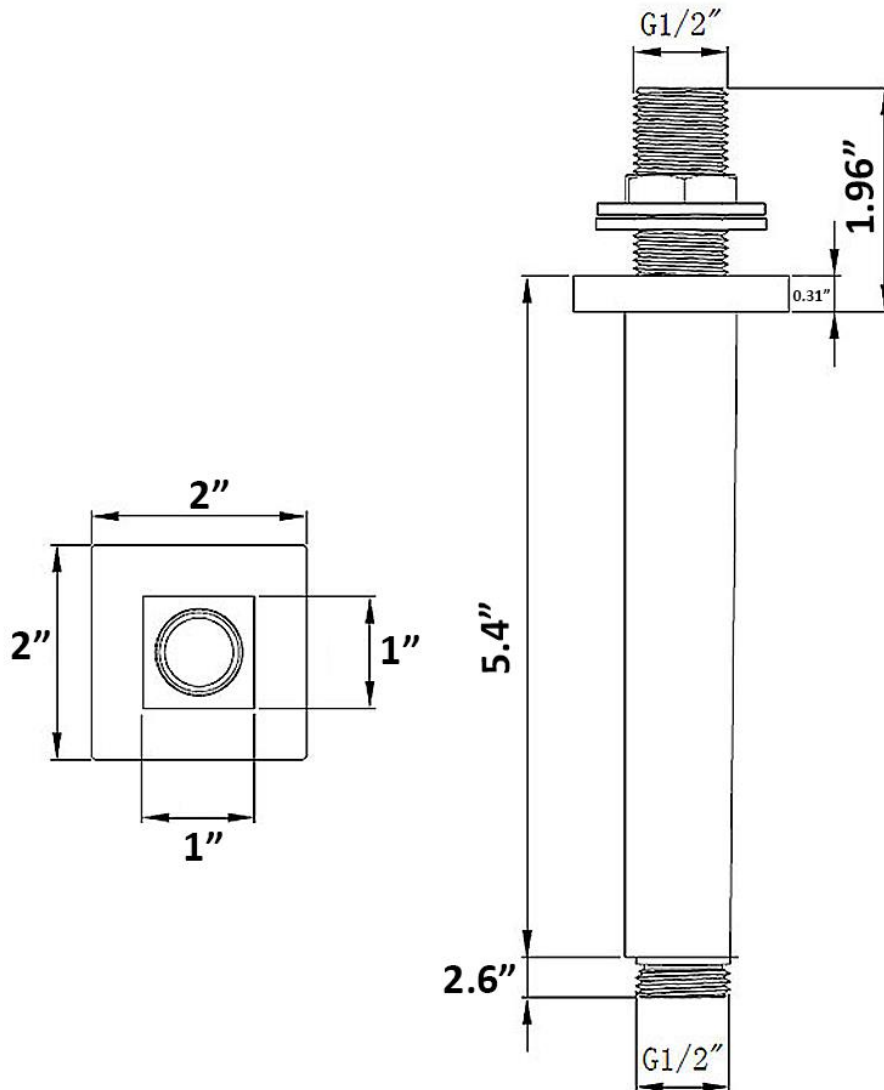


bathonomy

SPEC SHEET

Drawing

Cubic Shower Arm - Ceiling Mount - 8"



Technical Information

All product dimensions are nominal.

Shower head included: No

Shower arm: No

Notes

Install the product according to the installation guide.

2700 SW 3rd Ave Suite 1B, Miami, FL 33129

Tbboutique reserves the right to make revisions without notice to product specifications. For the most current Specification Sheet, go to www.tbboutique.com. 20-11-2021 10:53 - US/CO