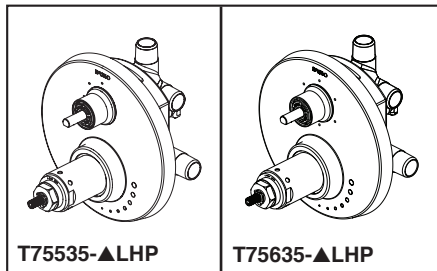


BRIZO®

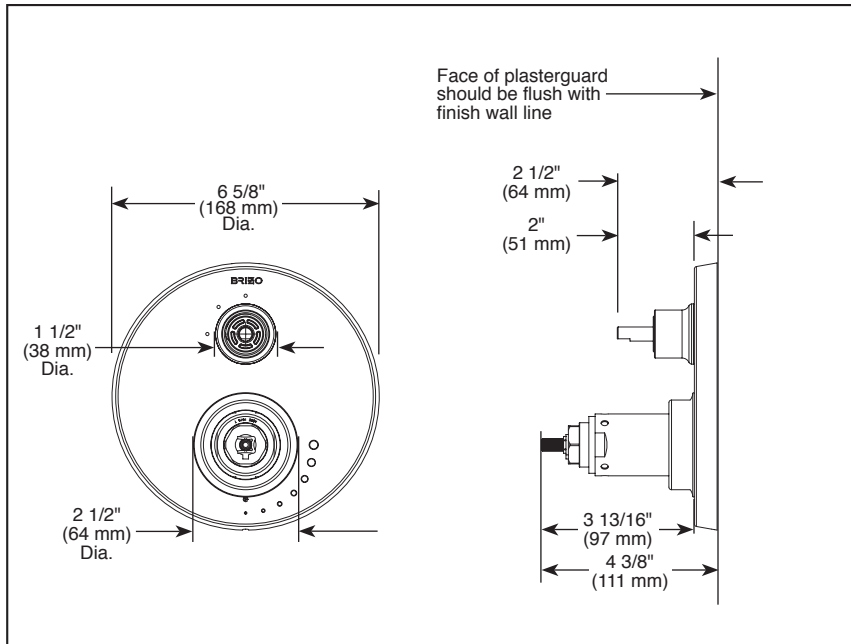
INTEGRATED SHOWER DIVERTER TRIM

- Litze® Bath Collection
- MultiChoice® Valve Trim with Three Function Diverter (T75535-LHP)
- MultiChoice® Valve Trim with Six Function Diverter (T75635-LHP)



Submitted Model No.: _____

Specific Features: _____



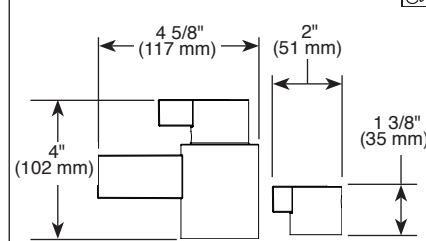
FEATURES:

- TempAssure® thermostatic valve cartridge
- Three or six function diverter

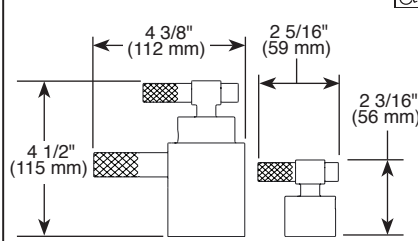
STANDARD SPECIFICATIONS:

- Main control utilizes thermostatic valve cartridge.
- Thermostatic wax element maintains the outlet temperature to $\pm 3.6^\circ\text{F}$.
- Back-to-back installation capability
- For use with MultiChoice® Universal Integrated Shower Diverter Rough (R75000 Series)
- Max. system flow rate 7.2 gpm @ 60 psi with R75000.
- Top handle controls diverter functions.
- Bottom (2) handles control on/off and temperature.
- Field adjustable to limit handle rotation into hot water zone.
- Bottom handle 90° Maximum rotation.
- Hot/cold indicator markings.
- Three function diverter (T75535-▲LHP) has 2 individual positions and 1 shared position.
- For two individual functions, no shared functions, order additional RP72123.
- Six function diverter (T75635-▲LHP) has 3 individual positions and 3 shared positions.
- For three individual functions, no shared functions, order additional RP72124.
- 1/2" rough-in.
- Cartridges included.
- Standard installation allows up to 1 1/8" finished wall thickness.
- Thick wall installation kit RP90545▲ can be ordered to allow for up to 2 1/8" finished wall thickness.
- Handles sold separately. T-Lever handles have textural knurling detail. Industrial Lever handles are debossed with TEMP and VOL letters.

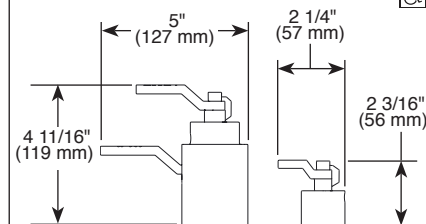
HL7532▲ Lever Handles



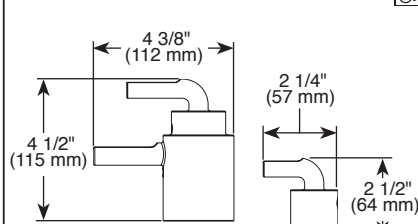
HL7533▲ T-Lever Handles



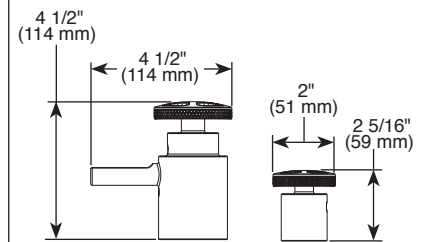
HL7534▲ Industrial Lever Handles



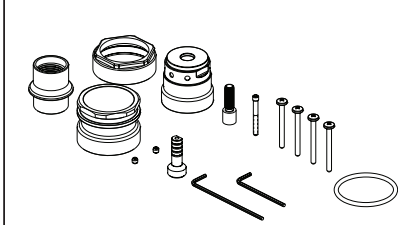
HL7539▲ Wire Handles



HW7532▲ Wheel Handles



RP90545▲ Available Thick Wall Installation Kit



WARRANTY

- Parts and Finish - Lifetime limited warranty; or for commercial purchasers, 10 years for multi-family residential (apartments and condominiums) and 5 years for all other commercial uses, in each case from the date of purchase.
- Electronic Parts and Batteries (if applicable) - 5 years from the date of purchase; or for commercial purchasers, 1 year from the date of purchase. No warranty is provided on batteries.

COMPLIES WITH:

- ASME A112.18.1 / CSA B125.1
- ☑ Indicates compliance to ICC/ANSI A117.1 - Valve control only

▲ Designate Proper Finish Suffix

Brizo Kitchen & Bath Company reserves the right (1) to make changes in specifications and materials, and (2) to change or discontinue models, both without notice or obligation. Dimensions are for reference only. See current full-line price book or www.brizo.com for finish options and product availability.

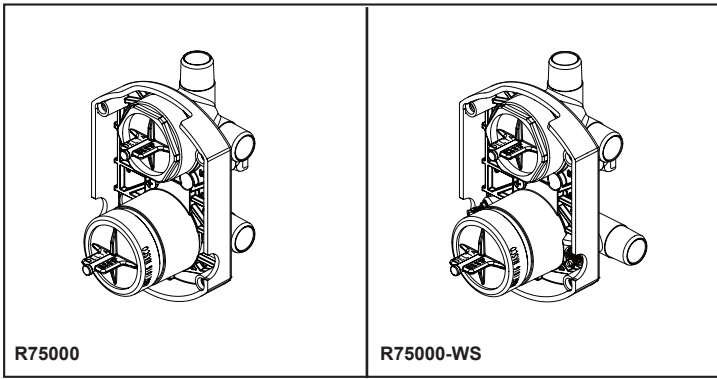
BSP-B-T75535-LHP Rev. F

Brizo Kitchen & Bath Company

Indianapolis, Indiana 46280
A Division of Masco Corporation of Indiana
© 2020 Brizo Kitchen & Bath Company

BRIZO®

MULTICHOICE® UNIVERSAL INTEGRATED SHOWER DIVERTER ROUGH



R75000

R75000-WS

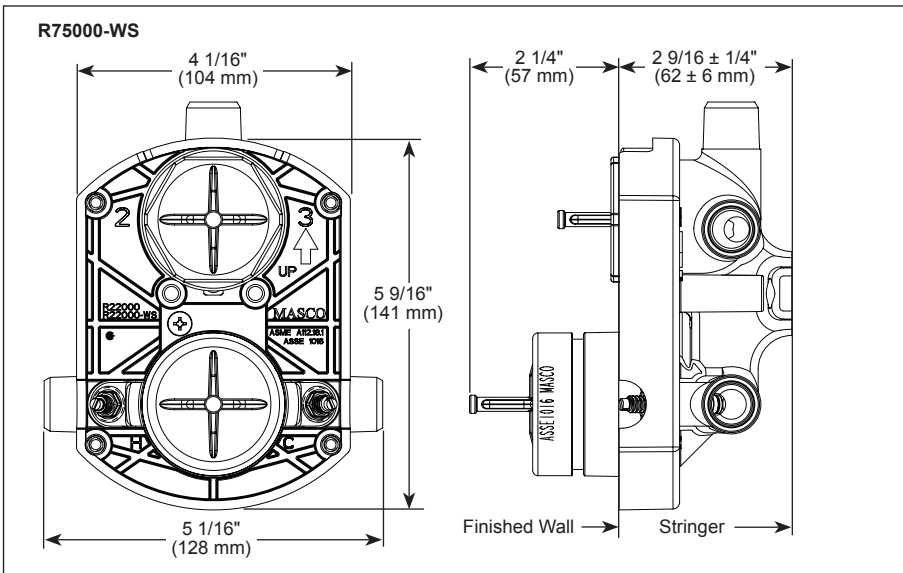
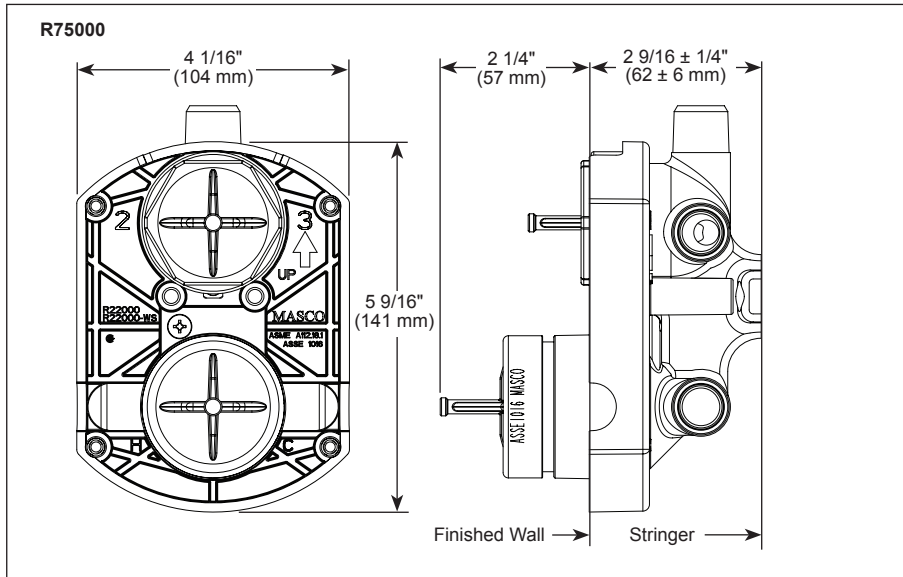
Submitted Model No.: _____

Specific Features: _____

- R75000 (Shower Only)
- R75000-WS (Shower Only with Stops)

STANDARD SPECIFICATIONS:

- Forged brass body
 - Back-to-Back installation capabilities
 - Three port diverter.
 - Can be tested with air (200 PSI) or water (300 PSI) without valve using supplied test cap
 - Accepts Brizo (3) three or (6) six function diverter cartridges plus all MultiChoice® cartridges.
 - Plug provided for 3 setting diverter installation.
 - Cartridges ship with trim
 - Non-shared diverter cartridges also available (RP72123 and RP72124)
 - 1/2" outlets and connections
 - Universal type fitting and is 1/2" NPT male thread with 1/2" C.W.T. female sweat
 - Sweat onto 1/2" C.W.T. or accepts 1/2" iron pipe, PEX or CPVC adapters
 - Standard installation accommodates finished wall thickness up to 1 1/8"
 - Thick wall installation kits can be ordered to allow for up to 2 1/8" finish wall thickness (order by valve type).
- Note: Should use proper fitting with each type (copper tubing, iron pipe, and pex fitting)



WARRANTY

- Lifetime limited warranty on parts (other than electronic parts and batteries) and finishes: or, for commercial users, for 5 years from date of purchase.
- 5 year limited warranty on electronic parts (other than batteries); or, for commercial users, for 1 year from the date of purchase. No warranty is provided on batteries.

COMPLIES WITH:

- ASME A112.18.1 / CSA B125.1

Maximum Flow Rate Guide					
Rough	Cartridge	Outlet	40 psi	60 psi	80 psi
R75000	TempAssure® Thermostatic	Shower	5.9 gpm	7.2 gpm	8.3 gpm
R75000-WS	TempAssure® Thermostatic	Shower	5.3 gpm	6.5 gpm	7.4 gpm

Based on 6 Setting Diverter

Extension kits available

Visit our website at www.brizo.com for specification sheet for trim model to identify appropriate RP.