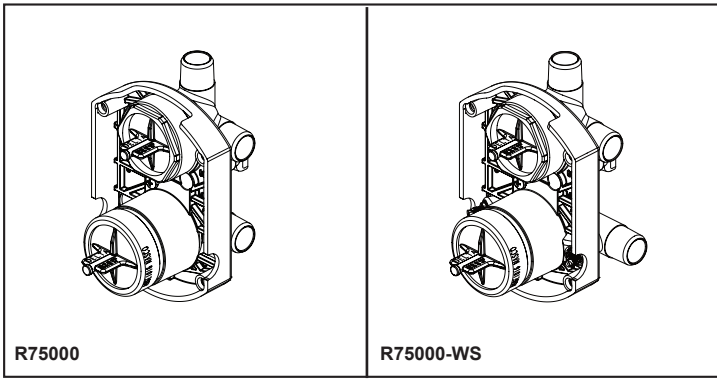


# BRIZO®

## MULTICHOICE® UNIVERSAL INTEGRATED SHOWER DIVERTER ROUGH



R75000

R75000-WS

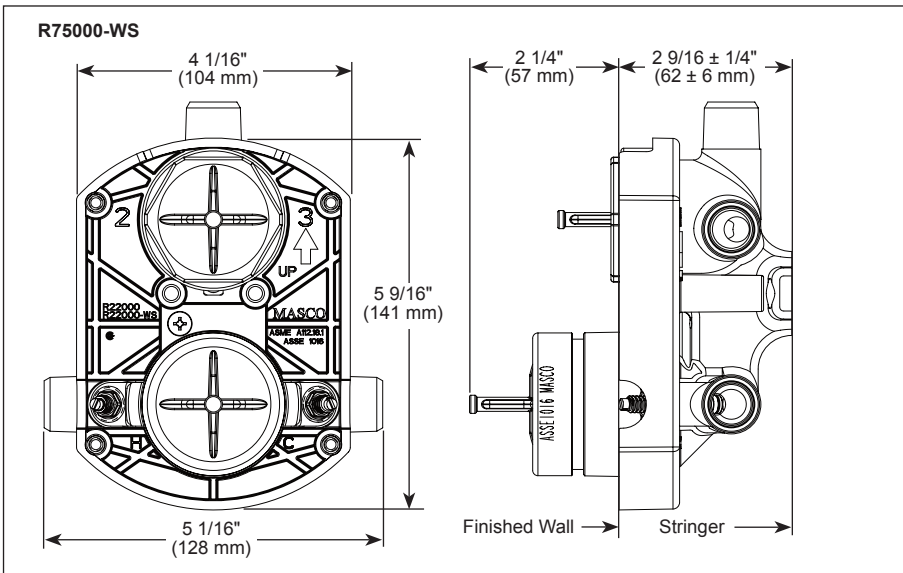
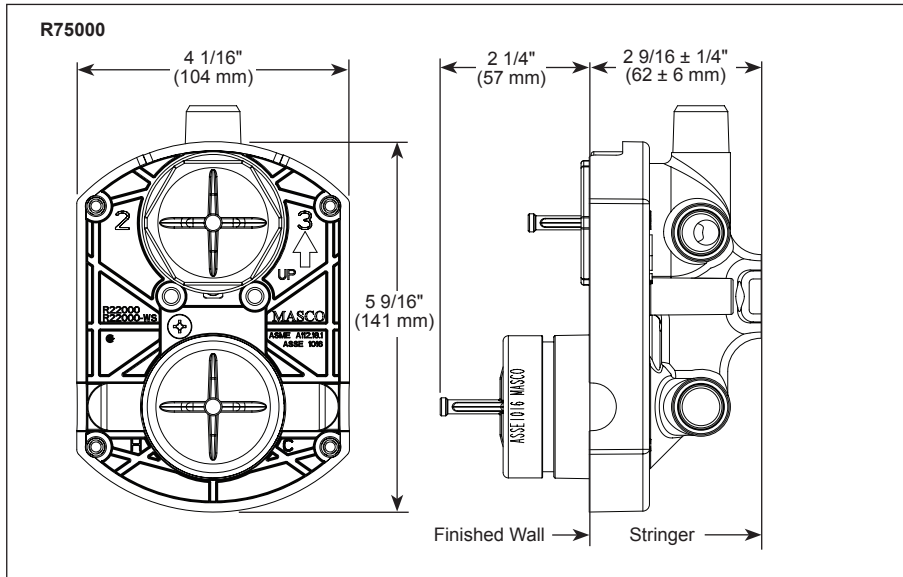
Submitted Model No.: \_\_\_\_\_

Specific Features: \_\_\_\_\_

- R75000 (Shower Only)
- R75000-WS (Shower Only with Stops)

### STANDARD SPECIFICATIONS:

- Forged brass body
- Back-to-Back installation capabilities
- Three port diverter.
- Can be tested with air (200 PSI) or water (300 PSI) without valve using supplied test cap
- Accepts Brizo (3) three or (6) six function diverter cartridges plus all MultiChoice® cartridges.
- Plug provided for 3 setting diverter installation.
- Cartridges ship with trim
- Non-shared diverter cartridges also available (RP72123 and RP72124)
- 1/2" outlets and connections
- Universal type fitting and is 1/2" NPT male thread with 1/2" C.W.T. female sweat
- Sweat onto 1/2" C.W.T. or accepts 1/2" iron pipe, PEX or CPVC adapters
- Standard installation accommodates finished wall thickness up to 1 1/8"
- Thick wall installation kits can be ordered to allow for up to 2 1/8" finish wall thickness (order by valve type).  
Note: Should use proper fitting with each type (copper tubing, iron pipe, and pex fitting)



### WARRANTY

- Lifetime limited warranty on parts (other than electronic parts and batteries) and finishes: or, for commercial users, for 5 years from date of purchase.
- 5 year limited warranty on electronic parts (other than batteries); or, for commercial users, for 1 year from the date of purchase. No warranty is provided on batteries.

### COMPLIES WITH:

- ASME A112.18.1 / CSA B125.1

Maximum Flow Rate Guide					
Rough	Cartridge	Outlet	40 psi	60 psi	80 psi
R75000	TempAssure® Thermostatic	Shower	5.9 gpm	7.2 gpm	8.3 gpm
R75000-WS	TempAssure® Thermostatic	Shower	5.3 gpm	6.5 gpm	7.4 gpm

Based on 6 Setting Diverter

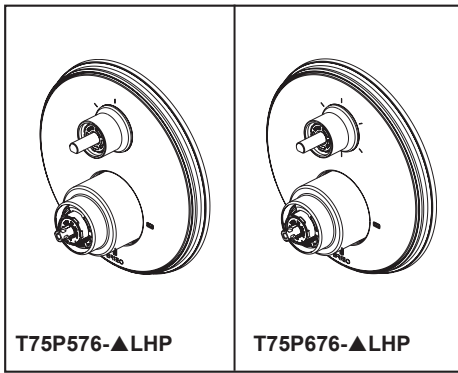
### Extension kits available

Visit our website at [www.brizo.com](http://www.brizo.com) for specification sheet for trim model to identify appropriate RP.

# BRIZO®

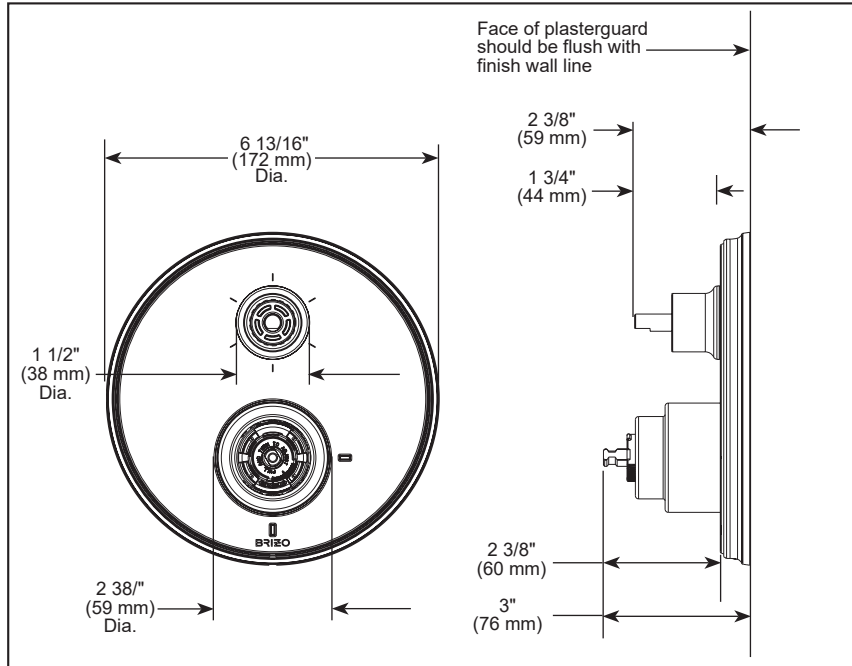
## Pressure Balance Valve with Integrated Diverter Trim

- Invari™ Bath Collection
- MultiChoice® Valve Trim with Three Function Diverter (T75P576-LHP)
- MultiChoice® Valve Trim with Six Function Diverter (T75P676-LHP)



Submitted Model No.: \_\_\_\_\_

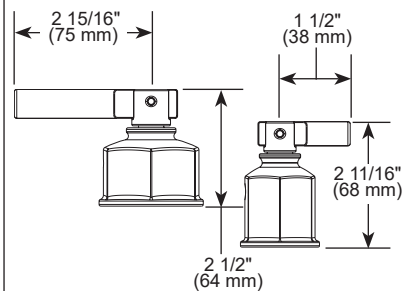
Specific Features: \_\_\_\_\_



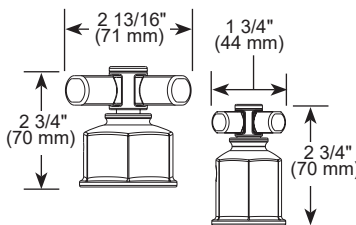
### STANDARD SPECIFICATIONS:

- Maintains a balanced pressure of hot and cold water even when a valve is turned on or off elsewhere in the system
- Back-to-back installation capability
- For use with MultiChoice® Universal Integrated Shower Diverter Rough (R75000 Series)
- Max. system flow rate 5.0 gpm at 60 psi with R75000
- Top handle controls diverter functions
- Bottom handle controls on/off and temperature
- Field adjustable to limit handle rotation into hot water zone
- Bottom handle 120° maximum rotation
- Red/Blue temperature indicator markings
- Three function diverter (T75P576-▲LHP) has 2 individual positions and 1 shared position
- For two individual functions, no shared functions, order additional RP72123
- Six function diverter (T75P676-▲LHP) has 3 individual positions and 3 shared positions
- For three individual functions, no shared functions, order additional RP72124
- 1/2" rough-in
- Cartridges included
- Standard installation allows up to 1 1/8" finished wall thickness
- Thick wall installation kit RP100160▲ can be ordered to allow for up to 2 1/8" finished wall thickness
- Handles sold separately

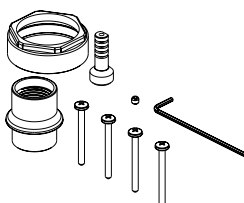
### HL75P76▲ Lever Handles (sold separately)



### HX75P76▲ Cross Handles (sold separately)



### RP100160▲ Available Thick Wall Installation Kit



### ▲Designate Proper Finish Suffix

Brizo Kitchen & Bath Company reserves the right (1) to make changes in specifications and materials, and (2) to change or discontinue models, both without notice or obligation. Dimensions are for reference only. See current full-line price book or [www.brizo.com](http://www.brizo.com) for finish options and product availability.

BSP-B-T75P576-LHP Rev. A

### WARRANTY

- Parts and Finish – Lifetime limited warranty; or for commercial purchasers, 10 years for multi-family residential (apartments and condominiums) and 5 years for all other commercial uses, in each case from the date of purchase.
- Electronic Parts and Batteries (if applicable) – 5 years from the date of purchase; or for commercial purchasers, 1 year from the date of purchase. No warranty is provided on batteries.

### COMPLIES WITH:

- ASME A112.18.1 / CSA B125.1
- ☑ Indicates compliance to ICC/ANSI A117.1

### Brizo Kitchen & Bath Company

55 E. 111th St.  
Indianapolis, Indiana 46280  
© 2019 Brizo Kitchen & Bath Company