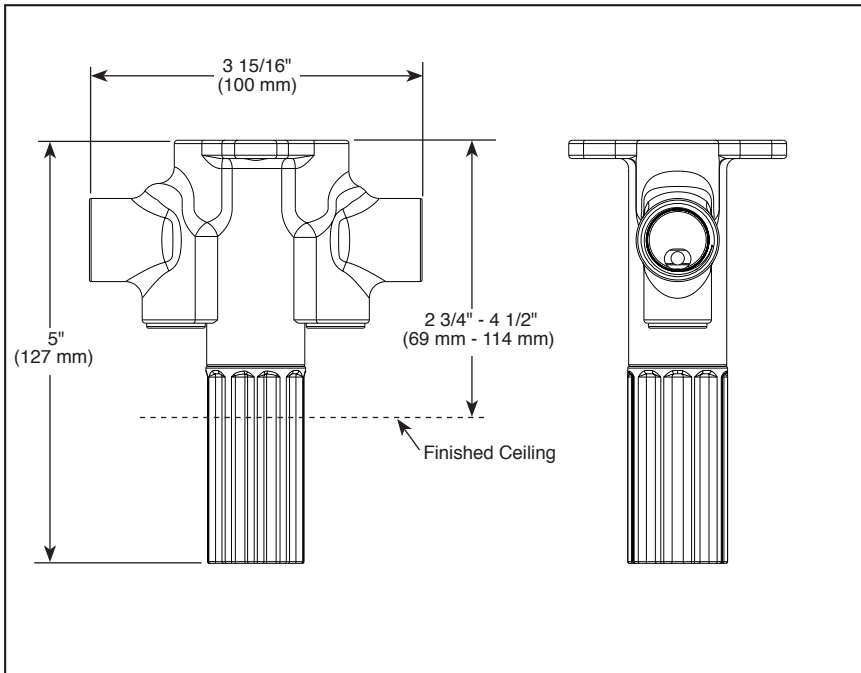


R83992

Submitted Model No.: \_\_\_\_\_

Specific Features: \_\_\_\_\_



# BRIZO®

## SHOWER ARM ROUGH

■ Dual Waterway Ceiling Mount Shower Arm Rough

### STANDARD SPECIFICATIONS

- Forged brass body
- 1/2" NPT inlets
- Must be plumbed to on-wall diverter or volume controls
- Must be used with 83992-06MF OR 83992-10MF dual waterway shower arm
- Includes serviceable filters located at each inlet
- Can be air or water tested using supplied test cap

### WARRANTY

- Parts and Finish - Lifetime limited warranty; or for commercial purchasers, 10 years for multi-family residential (apartments and condominiums) and 5 years for all other commercial uses, in each case from the date of purchase.
- Electronic Parts and Batteries (if applicable) - 5 years from the date of purchase; or for commercial purchasers, 1 year from the date of purchase. No warranty is provided on batteries.

### COMPLIES WITH:

- ASME A112.18.1 / CSA B125.1

Brizo Kitchen & Bath Company reserves the right (1) to make changes in specifications and materials, and (2) to change or discontinue models, both without notice or obligation. Dimensions are for reference only. See current full-line price book or [www.brizo.com](http://www.brizo.com) for finish options and product availability.

BSP-B-R83992 Rev. A

**Brizo Kitchen & Bath Company**  
55 E. 111th Street, Indianapolis, IN 46280  
350 South Edgeware Road, St. Thomas, ON N5P 4L1  
© 2020 Brizo Kitchen & Bath Company

# BRIZO®

## SHOWER ARM AND FLANGE

■ 6" and 10" Dual Waterway Ceiling Mount Shower Arm and Flange

### STANDARD SPECIFICATIONS:

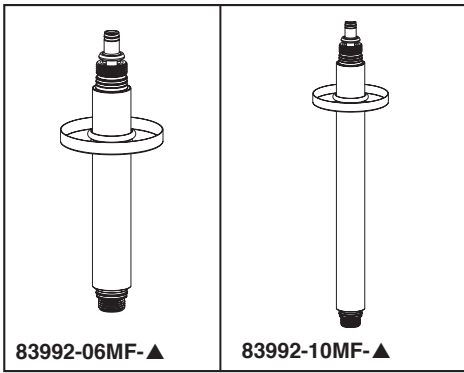
- Brass construction
- Use with rough R83992 to supply a multi-function ceiling mount shower head with mixed water from two different inputs

### WARRANTY

- Parts and Finish - Lifetime limited warranty; or for commercial purchasers, 10 years for multi-family residential (apartments and condominiums) and 5 years for all other commercial uses, in each case from the date of purchase.
- Electronic Parts and Batteries (if applicable) - 5 years from the date of purchase; or for commercial purchasers, 1 year from the date of purchase. No warranty is provided on batteries.

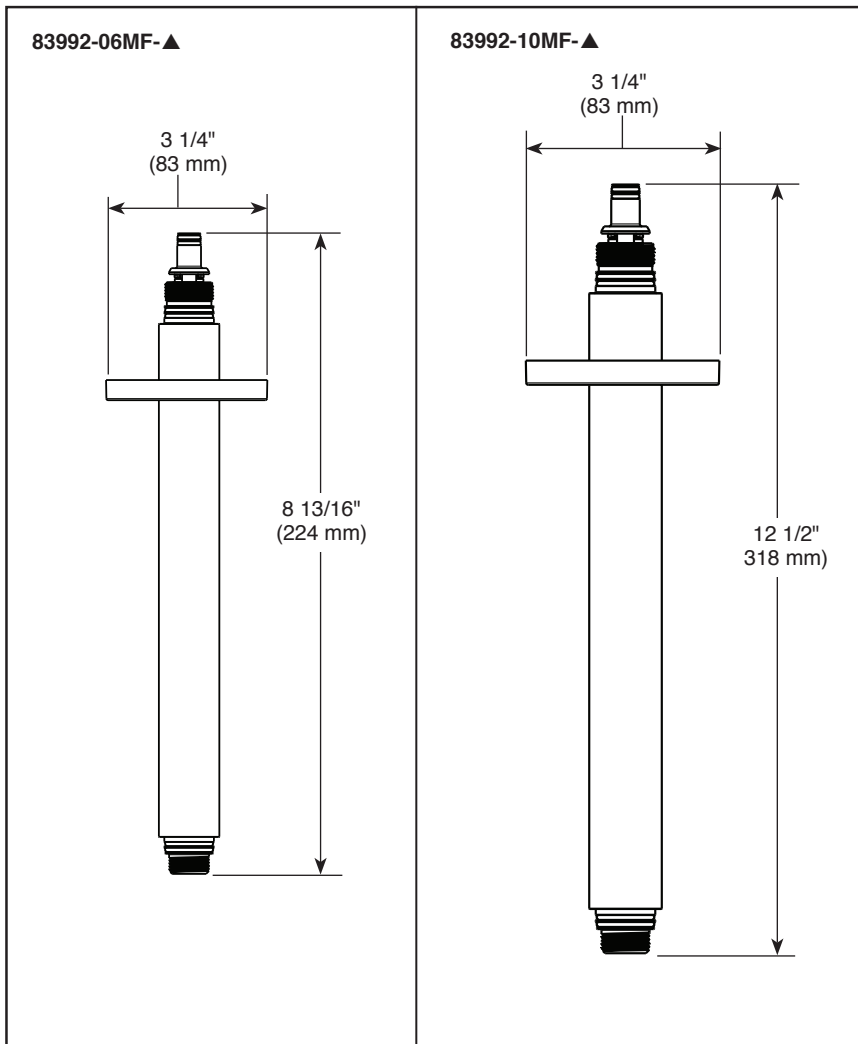
### COMPLIES WITH:

- ASME A112.18.1 / CSA B125.1



Submitted Model No.: \_\_\_\_\_

Specific Features: \_\_\_\_\_

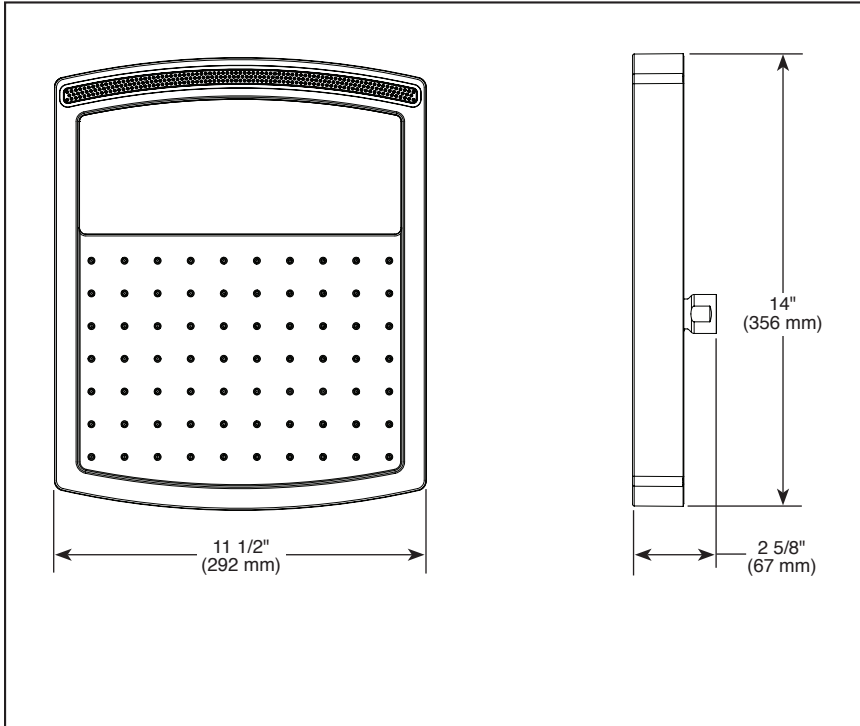


▲ Designate proper finish suffix



Submitted Model No.: \_\_\_\_\_

Specific Features: \_\_\_\_\_



▲ Designate finish suffix

# BRIZO®

## MULTI-FUNCTION OVERHEAD RAINCAN SHOWERHEAD

- Kintsu™ Bath Collection
- 3-Function Raincan Showerhead

### FEATURES:

- Touch-Clean® Nozzles

### STANDARD SPECIFICATIONS:

- Max flow rate 1.75 gpm @ 80 psi, 6.6 L/min @ 550 kPa (81406)
- Max flow rate 2.5 gpm @ 80 psi, 9.5 L/min @ 550 kPa (81406-2.5)
- Showerhead requires specific shower arm 83992-06MF or 83992-10MF for mounting
- Wrench flats for tightening
- Showerhead ball nut pivots and rotates for leveling
- Requires R83992 to be plumbed to a separate diverter or volume controls for spray selection
- Finished spray face matches shell finish
- Spray patterns: Full Spray, Canopy Spray, and Full Spray w/Canopy.

### WARRANTY

- Parts and Finish - Lifetime limited warranty; or for commercial purchasers, 10 years for multi-family residential (apartments and condominiums) and 5 years for all other commercial uses, in each case from the date of purchase.
- Electronic Parts and Batteries (if applicable) - 5 years from the date of purchase; or for commercial purchasers, 1 year from the date of purchase. No warranty is provided on batteries.



### COMPLIES WITH:

- ASME A112.18.1 / CSA B125.1
- EPA WaterSense® - Applies to 81406 only