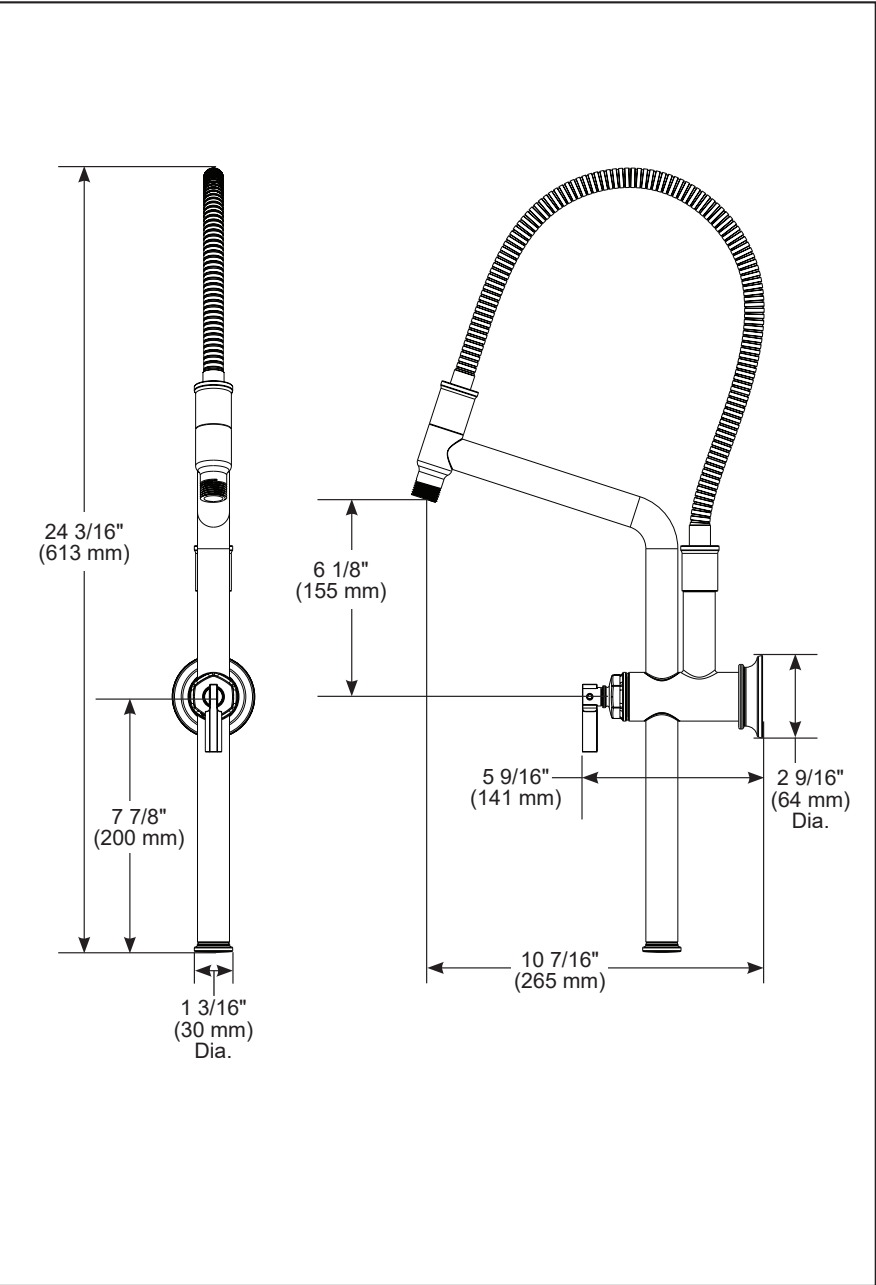


BRIZO®

SLIDE BAR SHOWER ARM AND FLANGE

■ Invari™ Bath Collection

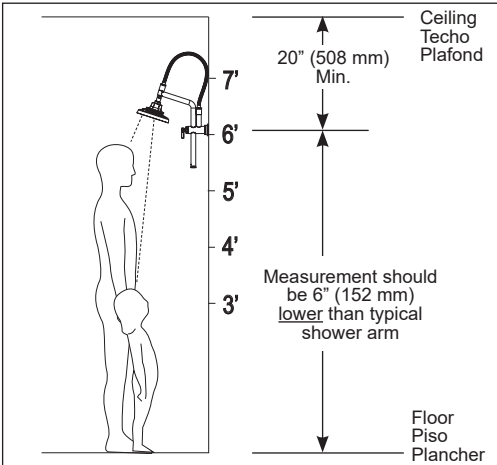
Submitted Model No.: _____
 Specific Features: _____



▲ Designate finish suffix

STANDARD SPECIFICATIONS:

- Provides 10" of height adjustability up and down arm
- Recommended for use with showerheads less than 10" in diameter and weighing no more than 2.5 pounds.
- Finished semi-flexible metal hose
- 1/2"NPT threads



Select a height for the shower arm based on your personal needs. NOTE: Shower arm must be installed minimum 20" from the ceiling to prevent hose contact with the ceiling. The recommended distance from the floor is 6" lower than a typical arm to better access the adjustable arm.

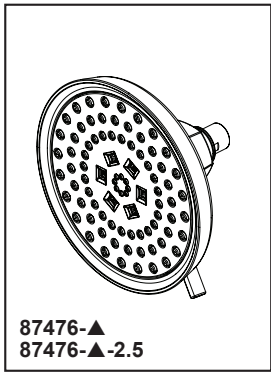
WARRANTY

- Parts and Finish – Lifetime limited warranty; or for commercial purchasers, 10 years for multi-family residential (apartments and condominiums) and 5 years for all other commercial uses, in each case from the date of purchase.
- Electronic Parts and Batteries (if applicable) – 5 years from the date of purchase; or for commercial purchasers, 1 year from the date of purchase. No warranty is provided on batteries.

COMPLIES WITH:

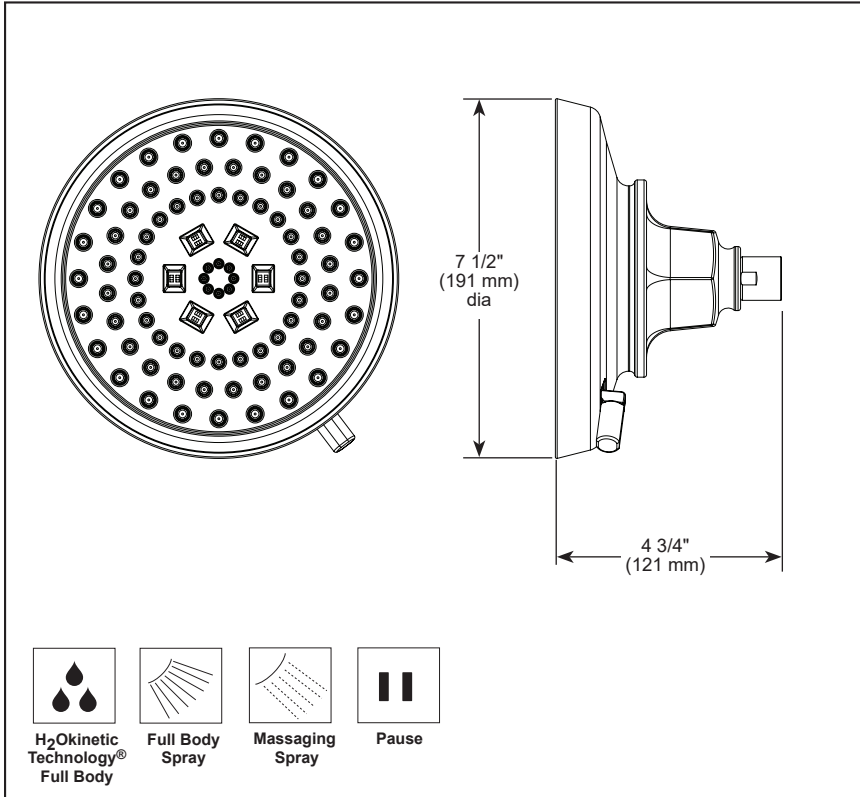
- ASME A112.18.1 / CSA B125.1

Brizo Kitchen & Bath Company reserves the right (1) to make changes in specifications and materials, and (2) to change or discontinue models, both without notice or obligation. Dimensions are for reference only. See current full-line price book or www.brizo.com for finish options and product availability.



Submitted Model No.: _____

Specific Features: _____



▲ Designate finish suffix

BRIZO®

MULTI-FUNCTION SHOWERHEAD

- Invari™ Bath Collection
- 4-Function Showerhead Featuring H₂Okinetic Technology®

FEATURES:

- Touch-Clean® Nozzles
- H₂Okinetic® Technology

STANDARD SPECIFICATIONS:

- Showerhead has 1/2"-14 NPSM female connection
- Max. flow rate 1.75 gpm @ 80 psi, 6.6 L/min @ 550 kPa
- Max. flow rate 2.5 gpm @ 80 psi, 9.5 L/min @ 550 kPa
- Showerhead with four settings - pause is a non-positive shut-off
- Wrench flats for tightening
- Showerhead ball nut pivots, rotates and provides extra thread coverage
- Metal lever for easy spray selection control
- Finished spray face

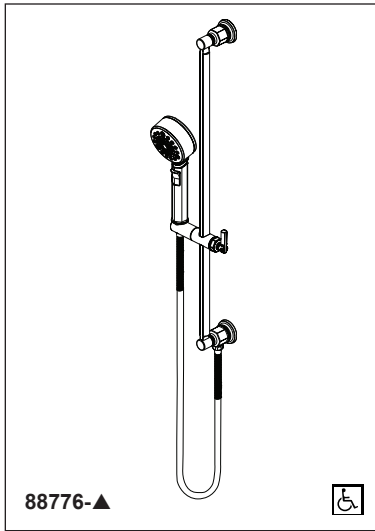
WARRANTY

- Parts and Finish – Lifetime limited warranty; or for commercial purchasers, 10 years for multi-family residential (apartments and condominiums) and 5 years for all other commercial uses, in each case from the date of purchase.
- Electronic Parts and Batteries (if applicable) – 5 years from the date of purchase; or for commercial purchasers, 1 year from the date of purchase. No warranty is provided on batteries.



COMPLIES WITH:

- ASME A112.18.1 / CSA B125.1
- EPA WaterSense® - Applies to 87465 only



BRIZO® HAND SHOWER W/SLIDEBAR

■ Invari™ Bath Collection

FEATURES:

- Multi function hand shower featuring H₂Okinetic Technology®

STANDARD SPECIFICATIONS:

- Maximum 1.75 gpm @ 80 psi, 6.6 L/min @ 550 kPa
- Wall bar with adjustable slide (allows for adjustable shower height). Not to be used as a grab bar.
- 60" - 82" (1524 mm - 2083 mm) stretchable finished metal hose
- Wall bar includes integrated elbow for hose connection
- Slide bar can be installed with hose connection on top if desired
- Multiple spray settings and pause feature - pause is a non-positive shut-off

WARRANTY

- Parts and Finish – Lifetime limited warranty; or for commercial purchasers, 10 years for multi-family residential (apartments and condominiums) and 5 years for all other commercial uses, in each case from the date of purchase.
- Electronic Parts and Batteries (if applicable) – 5 years from the date of purchase; or for commercial purchasers, 1 year from the date of purchase. No warranty is provided on batteries.

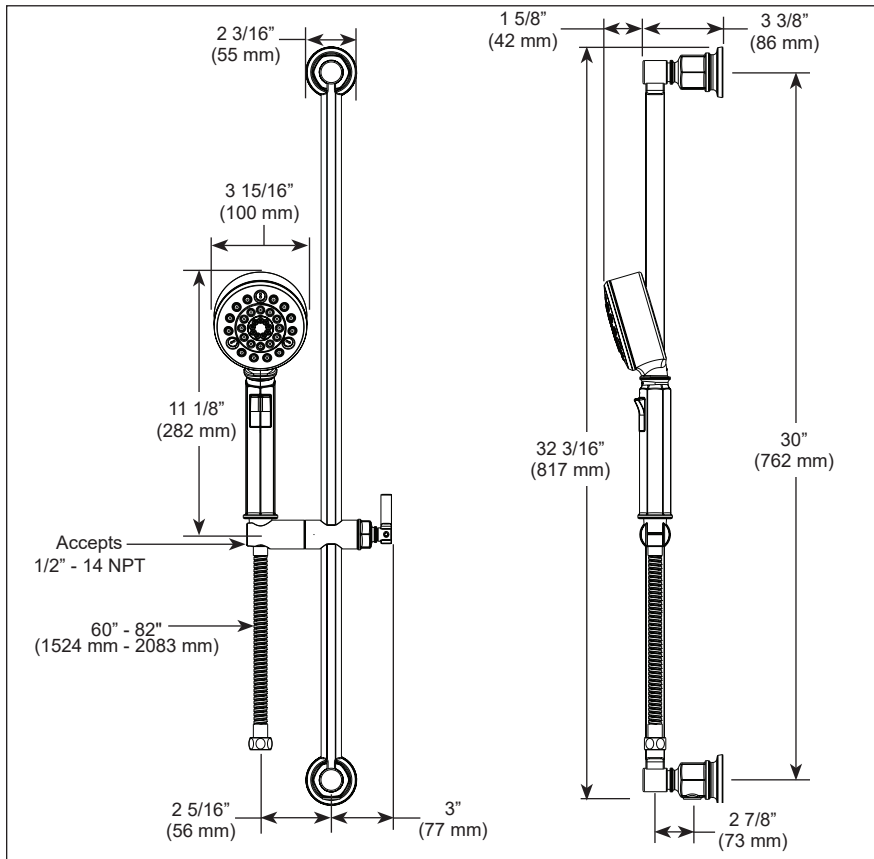


COMPLIES WITH:

- ASME A112.18.1 / CSA B125.1 ◆
- Indicates compliance to ICC/ANSI A117.1 - Applies to hand shower only
- EPA WaterSense®

Submitted Model No.: _____

Specific Features: _____



▲ Designate finish suffix

Spray Pattern



Full Body
Spray



H₂Okinetic
Technology®



Massaging
Spray



Pause

- Your Brizo Faucet hand shower incorporates a backflow protection system that has been tested to be in compliance with ASME A112.18.3. It incorporates two certified check valves in series, which operate independently and are integral, non-serviceable parts of the wand assembly.

Brizo Kitchen & Bath Company reserves the right (1) to make changes in specifications and materials, and (2) to change or discontinue models, both without notice or obligation. Dimensions are for reference only. See current full-line price book or www.brizo.com for finish options and product availability.

BSP-B-88776 Rev. B

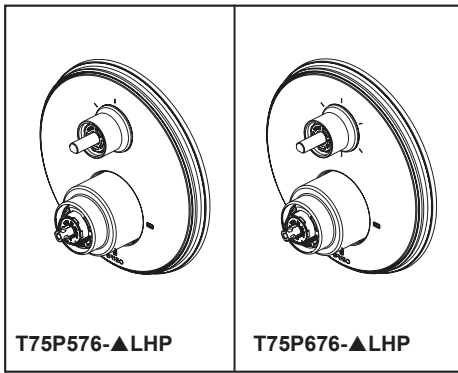
Brizo Kitchen & Bath Company

55 E. 111th Street, Indianapolis, Indiana 46280
350 South Edgeware Road, St. Thomas, ON N5P 4L1
© 2019 Brizo Kitchen & Bath Company

BRIZO®

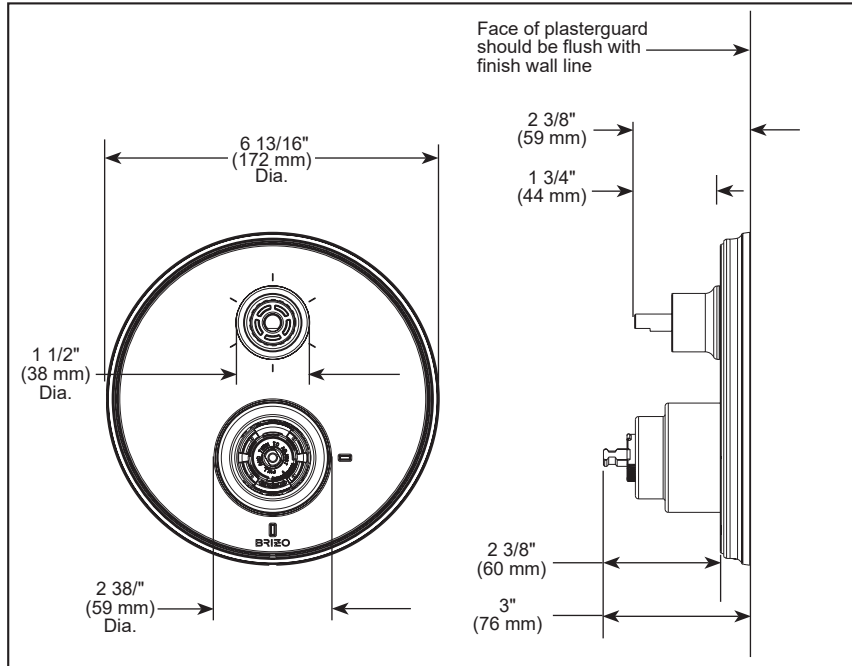
Pressure Balance Valve with Integrated Diverter Trim

- Invari™ Bath Collection
- MultiChoice® Valve Trim with Three Function Diverter (T75P576-LHP)
- MultiChoice® Valve Trim with Six Function Diverter (T75P676-LHP)



Submitted Model No.: _____

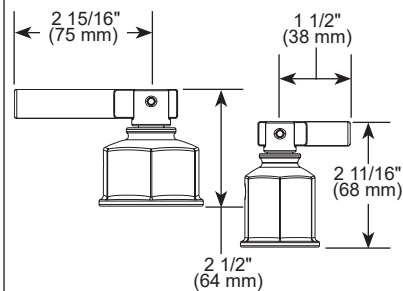
Specific Features: _____



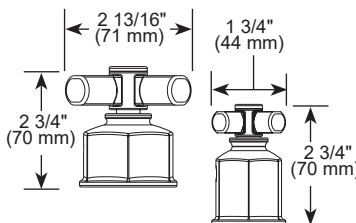
STANDARD SPECIFICATIONS:

- Maintains a balanced pressure of hot and cold water even when a valve is turned on or off elsewhere in the system
- Back-to-back installation capability
- For use with MultiChoice® Universal Integrated Shower Diverter Rough (R75000 Series)
- Max. system flow rate 5.0 gpm at 60 psi with R75000
- Top handle controls diverter functions
- Bottom handle controls on/off and temperature
- Field adjustable to limit handle rotation into hot water zone
- Bottom handle 120° maximum rotation
- Red/Blue temperature indicator markings
- Three function diverter (T75P576-▲LHP) has 2 individual positions and 1 shared position
- For two individual functions, no shared functions, order additional RP72123
- Six function diverter (T75P676-▲LHP) has 3 individual positions and 3 shared positions
- For three individual functions, no shared functions, order additional RP72124
- 1/2" rough-in
- Cartridges included
- Standard installation allows up to 1 1/8" finished wall thickness
- Thick wall installation kit RP100160▲ can be ordered to allow for up to 2 1/8" finished wall thickness
- Handles sold separately

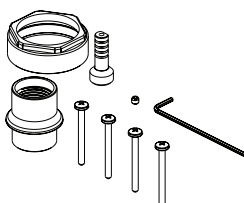
HL75P76▲ Lever Handles (sold separately)



HX75P76▲ Cross Handles (sold separately)



RP100160▲ Available Thick Wall Installation Kit



▲Designate Proper Finish Suffix

Brizo Kitchen & Bath Company reserves the right (1) to make changes in specifications and materials, and (2) to change or discontinue models, both without notice or obligation. Dimensions are for reference only. See current full-line price book or www.brizo.com for finish options and product availability.

BSP-B-T75P576-LHP Rev. A

WARRANTY

- Parts and Finish – Lifetime limited warranty; or for commercial purchasers, 10 years for multi-family residential (apartments and condominiums) and 5 years for all other commercial uses, in each case from the date of purchase.
- Electronic Parts and Batteries (if applicable) – 5 years from the date of purchase; or for commercial purchasers, 1 year from the date of purchase. No warranty is provided on batteries.

COMPLIES WITH:

- ASME A112.18.1 / CSA B125.1
- ☑ Indicates compliance to ICC/ANSI A117.1

Brizo Kitchen & Bath Company

55 E. 111th St.
Indianapolis, Indiana 46280
© 2019 Brizo Kitchen & Bath Company