

# METTE

Xonyx™ solid surface freestanding bath

**MATERIAL:** Solid surface

**SHAPE:** Atypical

**INSTALLATION:** Freestanding

**COLOR OPTIONS:**

1) Standard white (white interior / white exterior)

2) Bi-colored (white interior / colored\* exterior)

\*According to RAL Classic color pallet



**WASTE:** Click-clack stopper, solid surface coated cap, white

**DRAIN:** Direct drain tee (PVC, Schedule 40). Extension pipe (1½") required

**OVERFLOW:** Integrated

**FILLER OPTIONS:** Wall-mount, floor-mount

**EXTERIOR DIMENSIONS (LxWxH):** 71.75" x 34" x 31.50/25.25"

**PRODUCT WEIGHT:** 300 lb

**WATER CAPACITY:** 70 gal

**PACKAGE:** On a pallet in plywood crate

**PACKAGE DIMENSIONS (LxWxH):** 76" x 38.5" x 38"

**ORIGIN:** European

**STANDARDS:** CSA B45.5-22/IAPMO Z124-2022



**PRODUCT INCLUDES:**

- › Bathtub with integrated overflow and waste
- › Support frame with adjustable feet

**SKU:** BUSAMETTE (Standard white)

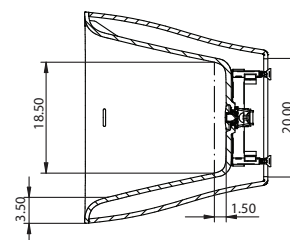
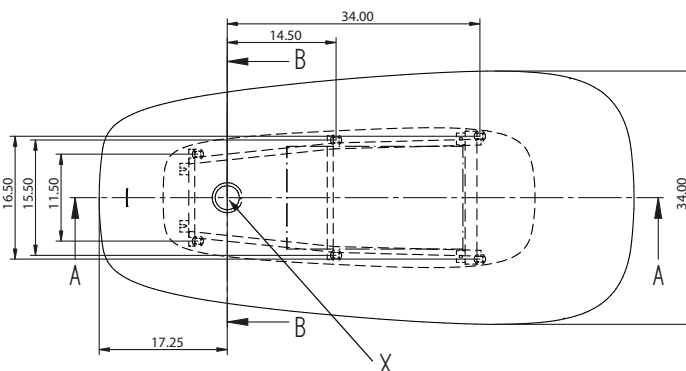
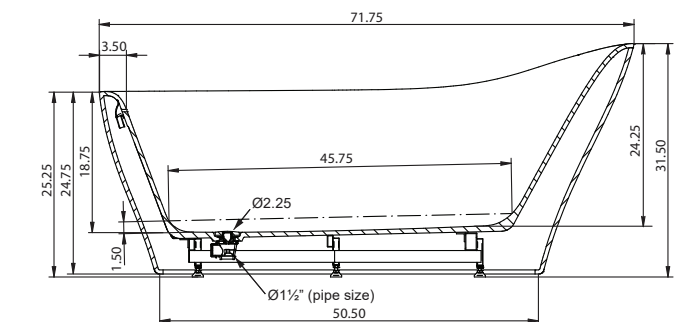


## WHAT IS XONYX?

- › Unique solid surface polymer composite material created by Balteco R&D
- › Mixture of ATH (Aluminium Tri-hydrate), polyester resin with acrylic compounds and carefully selected additives
- › Material with superior structural strength and scratch resistant hard surface.

## MATERIAL BENEFITS:

- › Novel Silky Smooth surface
- › Extra durable monolith
- › Scratch resistant hard surface
- › 100 % homogeneous material
- › Bacteria resistant
- › Superior cleaning properties
- › Calm white
- › Seamless bonding
- › Renewable and repairable



Product measure tolerances ±½". Frame location tolerance according to X ±1"