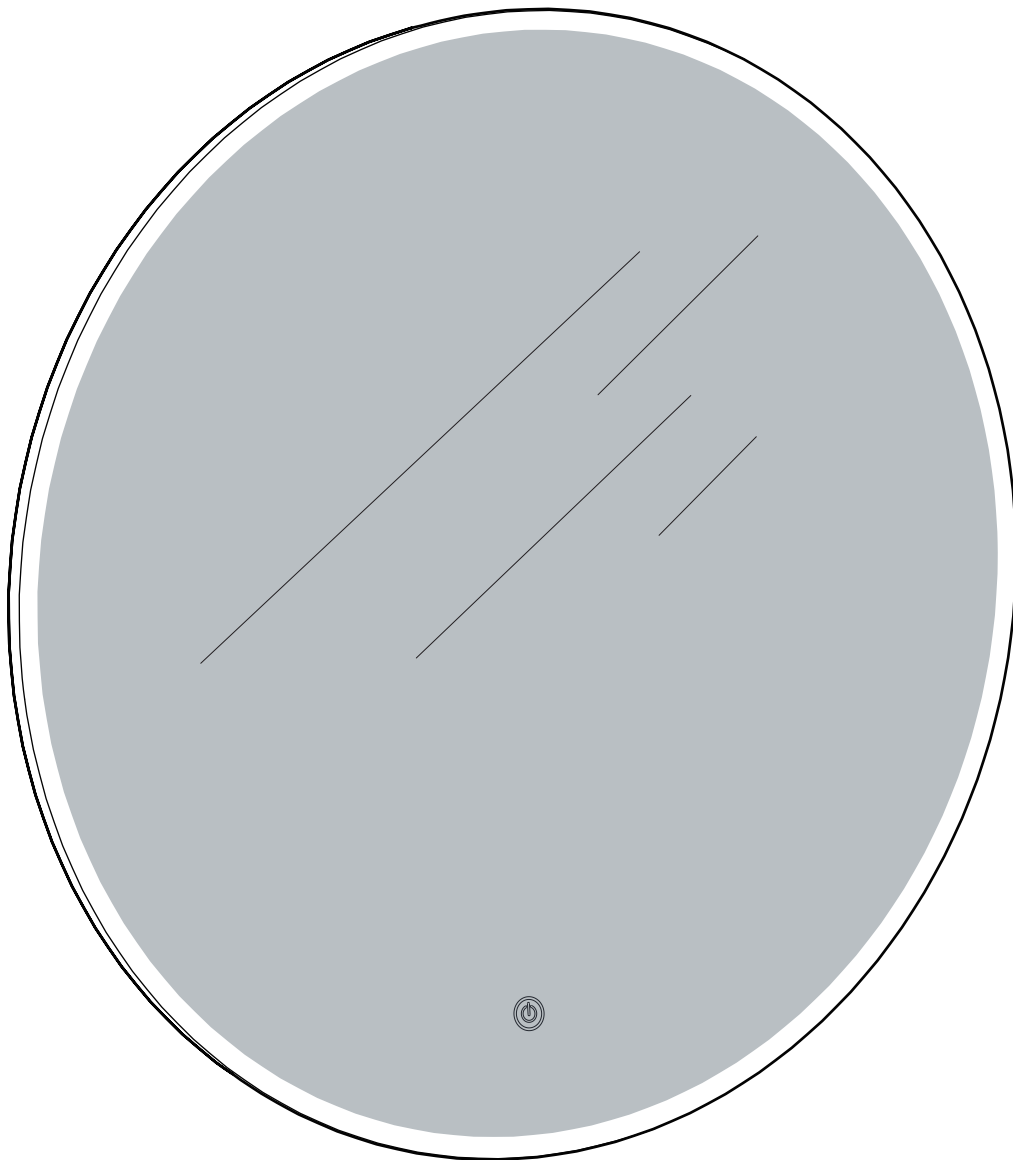


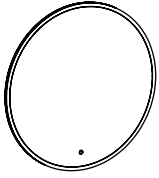


Guide d'installation et d'utilisation ***Installation and User's Guide***



Lire toutes les instructions attentivement avant de commencer l'installation.
Noter le numéro de série à la dernière page de ce guide et le conserver pour un usage ultérieur.

*Read all instructions carefully before proceeding.
Record the serial number on the back page and save this guide for future reference.*



MHAR3232 / MHAR3636 / MHAR4040



BATHROOM MIRROR w/ LED Lighting and Defogger **bathonomy**
INSTALLATION GUIDE

IMPORTANT SAFETY INSTRUCTIONS

When using an electrical furnishing, basic precautions should always be followed, including the following:



DANGER

READ AND FOLLOW ALL INSTRUCTIONS BEFORE USING THIS MIRROR.



WARNING

To reduce the risk of burns, fire, electric shock or injury to persons. Use this furnishing only for its intended use as described in these instructions. Do not use attachments not recommended by the manufacturer. Never drop or insert any object into any opening. Do not use outdoors.



WARNING

Risk of electric shock. Connect this furnishing to a properly grounded circuit only. See Grounding instructions.

GROUNDING INSTRUCTIONS:

This product must be connected to a grounded metal, permanent wiring system, or an equipment-grounding conductor must be run with the circuit conductors and connected to the equipment-grounding terminal or lead on the product.



WARNING

An Electrical option cabinet must be wired to a 20 Amp GFI (Ground Fault Interrupter) protected circuit when used in bathrooms and all other locations required by the National Electric Code.

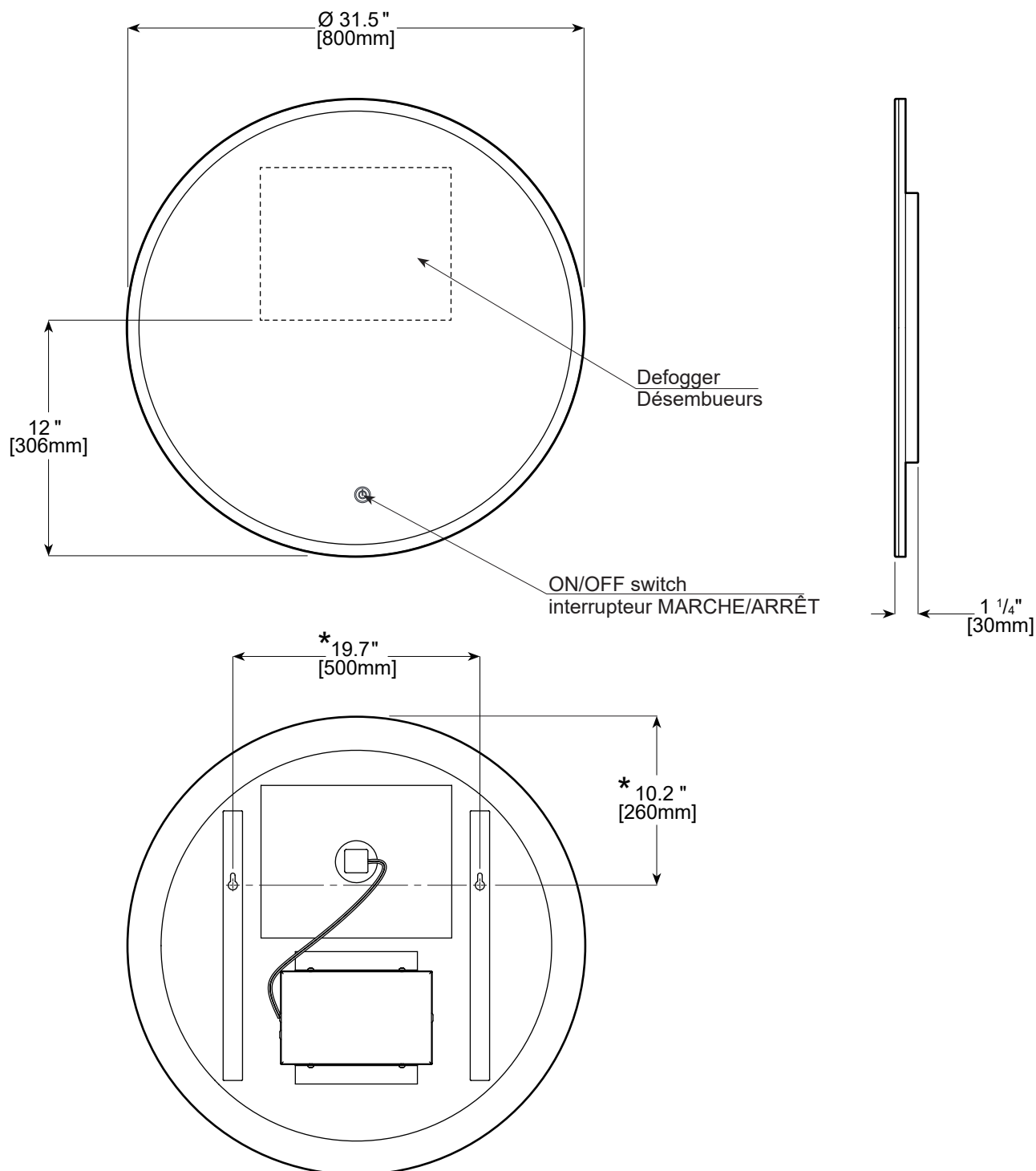
PLEASE SAVE THESE INSTRUCTIONS FOR FUTURE REFERENCE



bathonomy

SPÉCIFICATIONS / SPECIFICATIONS

Modèle • Model: MHAR3232



Référence seulement
* Reference only

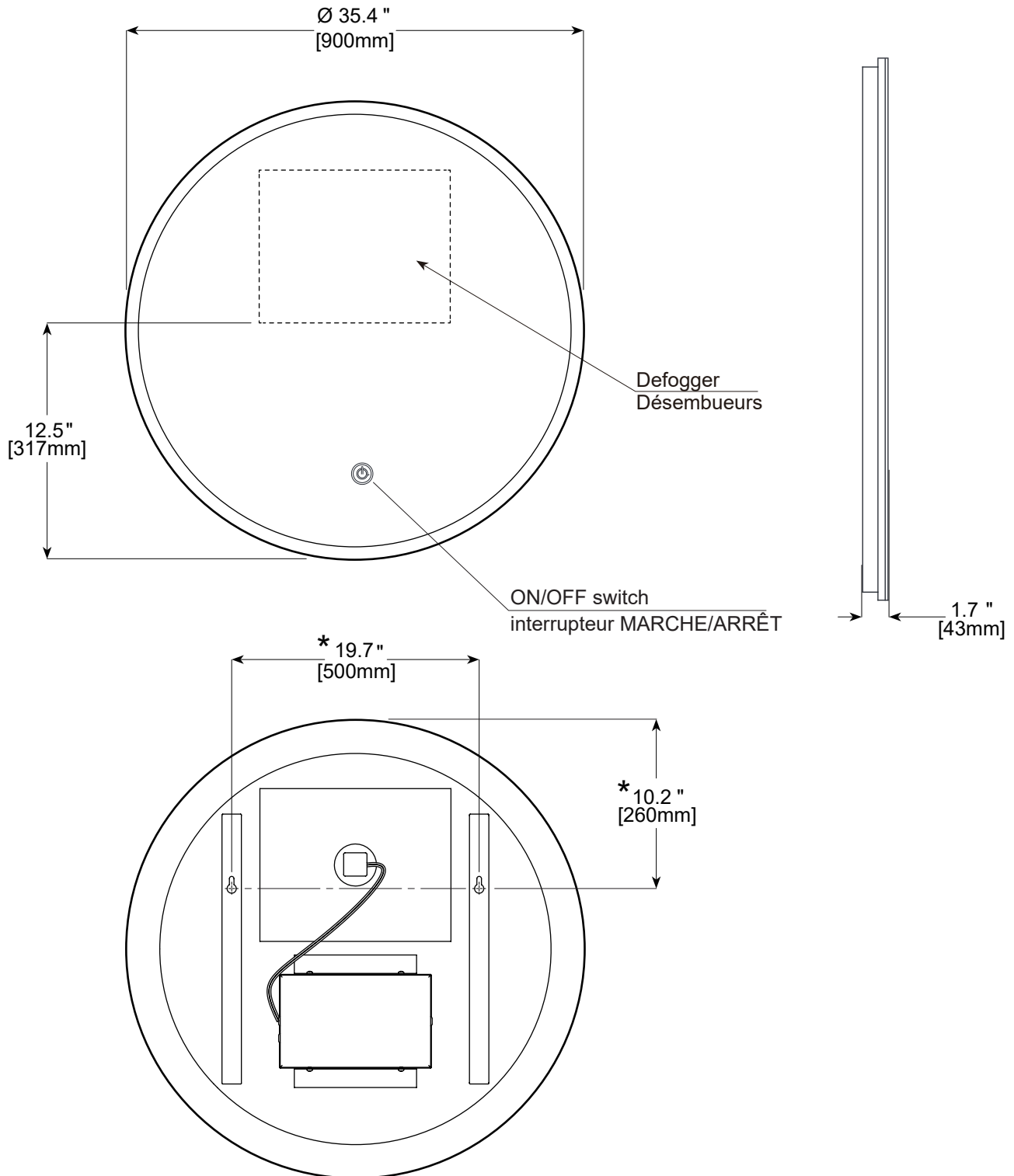
Des changements peuvent être apportés au produit sans préavis.
Product specifications are subject to change without notice



bathonomy

SPÉCIFICATIONS / SPECIFICATIONS

Modèle • Model: MHAR3636



* Référence seulement
* Reference only

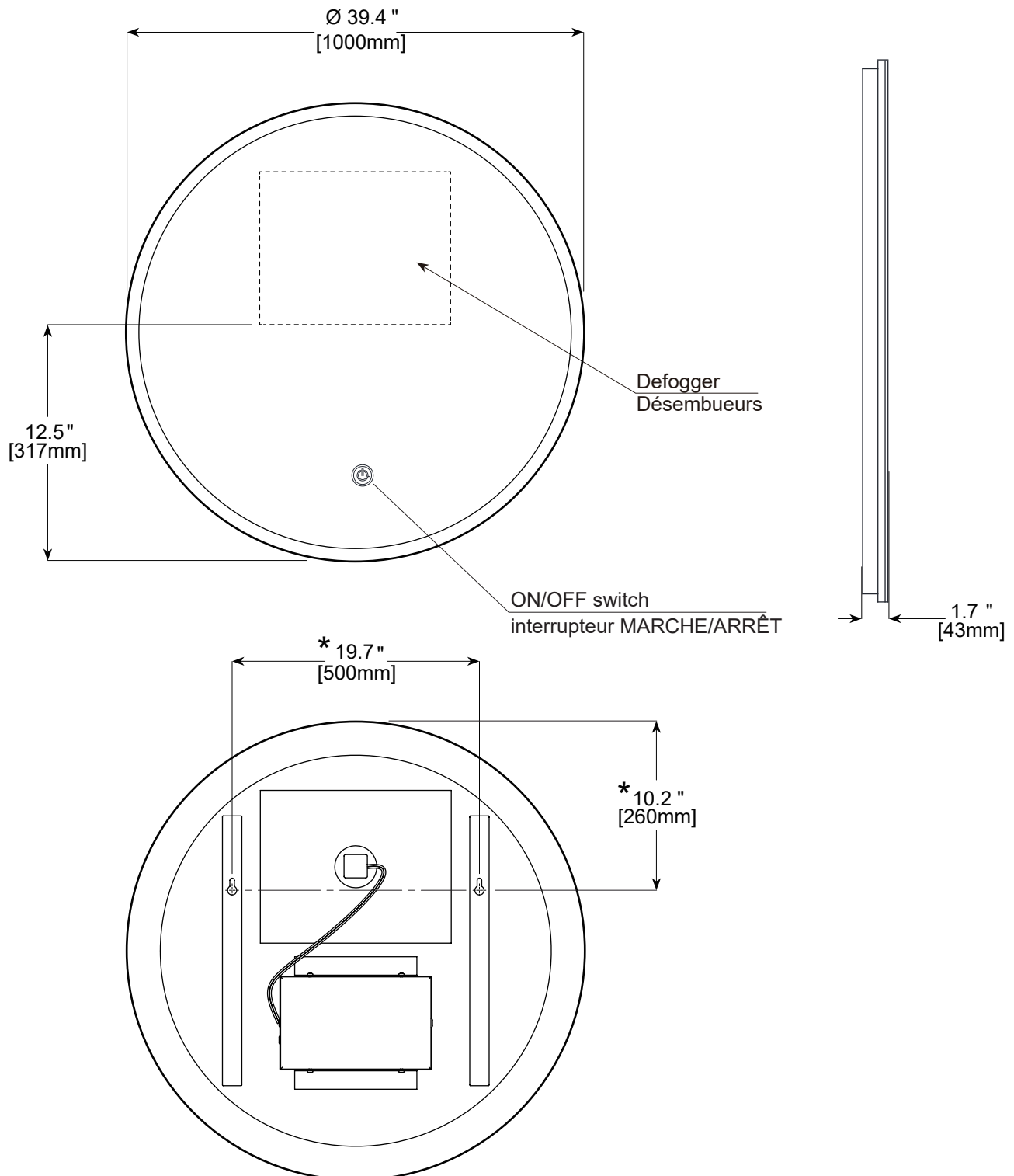
Des changements peuvent être apportés au produit sans préavis.
Product specifications are subject to change without notice



bathonomy

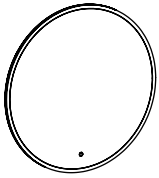
SPÉCIFICATIONS / SPECIFICATIONS

Modèle • Model: MHAR4040



* Référence seulement
* Reference only

Des changements peuvent être apportés au produit sans préavis.
Product specifications are subject to change without notice



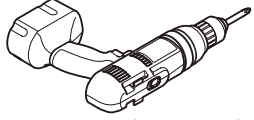
MHAR3232 / MHAR3636 / MHAR4040



BATHROOM MIRROR w/ LED Lighting and Defogger

INSTALLATION GUIDE bathonomy

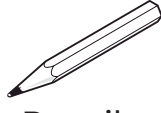
TOOLS REQUIRED FOR ASSEMBLY



Electrical Drill



1/8" Drill Bit



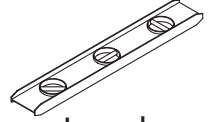
Pencil



Phillips
Screwdriver

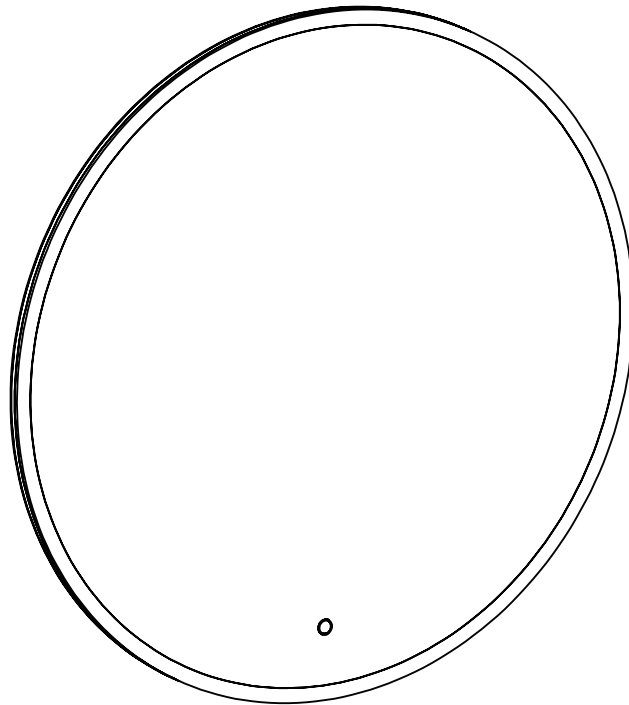


Tape Measure

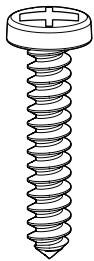


Level

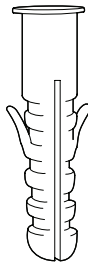
PARTS INCLUDED



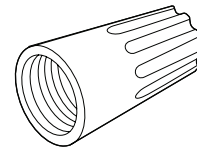
Mirror



SCREW
(X2)



WALL PLUG
(X2)

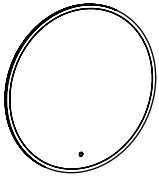


WIRE CONNECTOR
(X2)



NOTE: Determine overall mirror dimensions before proceeding to installation.

*All dimensions & specifications are approximate and subject to change without notice.



MHAR3232 / MHAR3636 / MHAR4040

BATHROOM MIRROR w/ LED Lighting and Defogger
INSTALLATION GUIDE



bathonomy

ELECTRIC CONNECTIONS

ALL WIRING SHOULD BE DONE BY A QUALIFIED LICENCED ELECTRICIAN



WARNING: Shut off power before wiring the mirror.



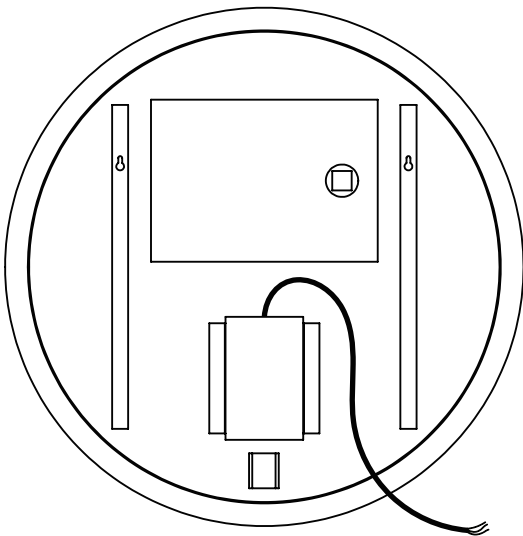
WARNING: An Electrical option mirror must be wired to a 20 Amp GFI (Ground Fault Interrupter) protected circuit when used in bathrooms and all other locations required by the National Electric Code.



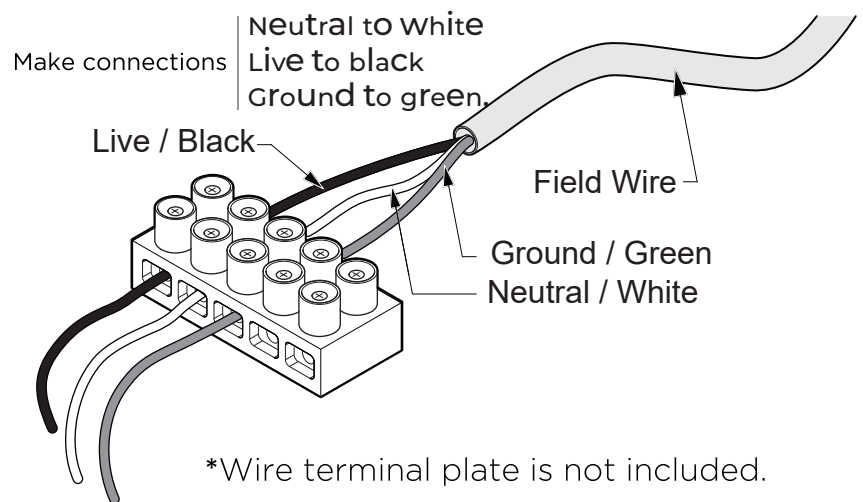
WARNING: This mirror must be connected to a grounded, metal permanent wiring system or an equipment-grounding conductor must be run with the circuit conductors and connected to the equipment grounding terminal or lead on the mirror.



CAUTION: Requires 120 VAC 20 Amp GFI protected circuit.



Electric wiring: Be sure to provide enough wire to make the proper and safe connection to the Field/Power.



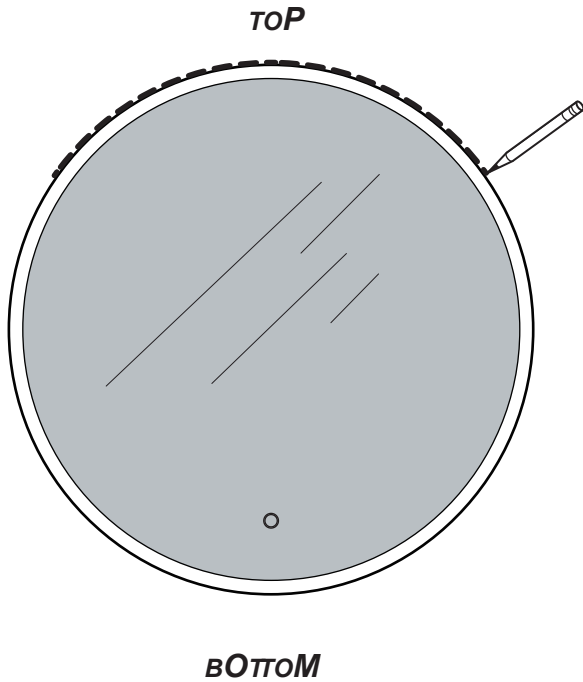
MIRROR FEATURES

- 5mm copper free silver mirror
- High output LED lighting:
CRI 90+, 3000-6500K CCT, IP44
- Colour changing and dimmable touch switch for surface LED
- Defogger

INSTALLATION INSTRUCTIONS

1 PLACEMENT

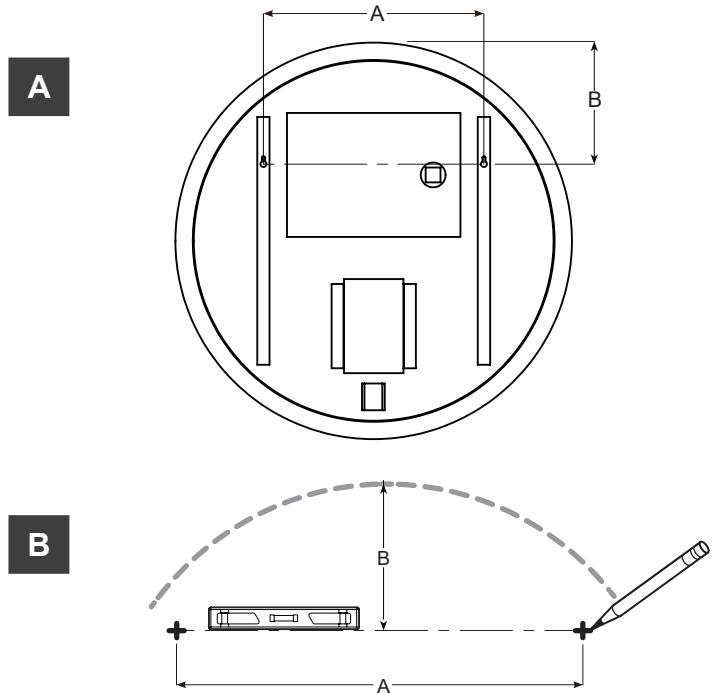
Select the desired position of the mirror.
Mark the curve at the top of the mirror.



2

SUPPORT LOCATION

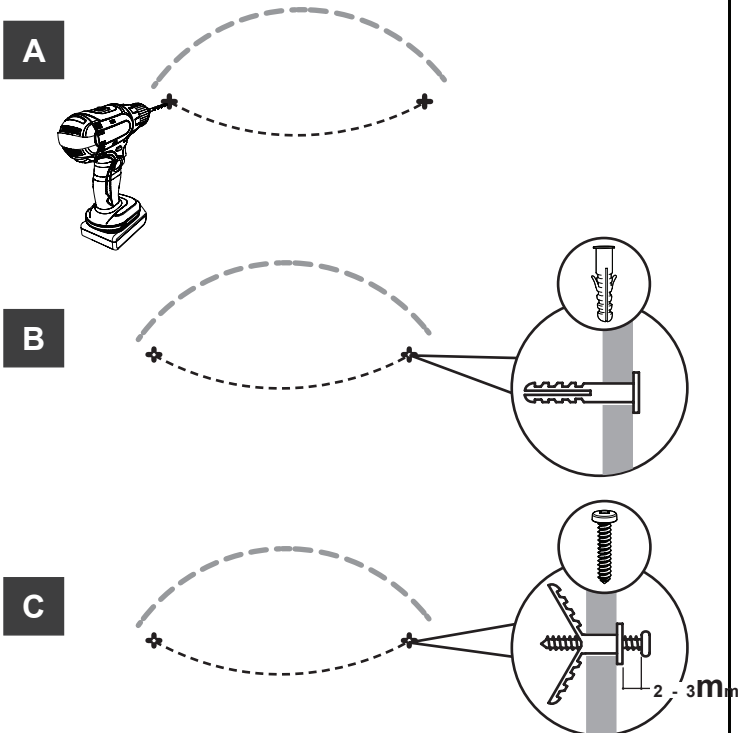
Measure the center of the holes and mark the drilling locations ensure marking are leveled.



3

INSTALL SCREWS

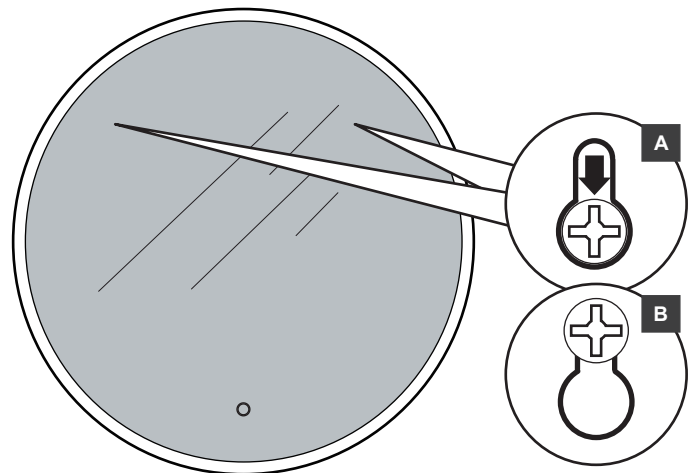
Using a drill, make holes and fill with supplied plugs and screws. Leave a gap of 2 - 3mm between the head of the screw and the wall.



4


PLACEMENT


Place the mirror against the wall and slide down as shown in image B.



FINAL ASSEMBLY

How to use Defogger Switch and Dimmer Switch:

Touch  to turn the task light and defogger on or off.

Press and hold  to change the colour temprature of task light.

Use and Maintenance:

CAUTION:

Mirror and mirror's body are constructed of mirrored glass and aluminum. Use a damp cloth to clean your mirrors. Do not use any abrasive material as it may damage the surface and finish of the mirror. A mild detergent may be used to clean the surfaces of the mirror. When cleaning spray the cloth, not the mirrors or surrounding surfaces.