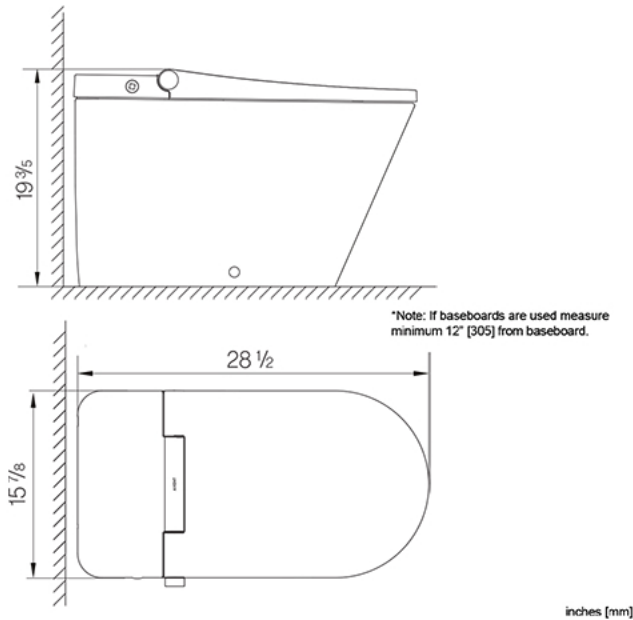


# AXENT.ONE C PLUS

**AXENT.ONE C PLUS 2.0 INTELLIGENT TOILET  
(WITH ECO-POWERFLUSH) E314-02**



## FEATURES

<p>Dimensions</p> <p>Weight</p> <p>Material Finish</p> <p>Color</p> <p>Water Consumption</p> <p>Configuration</p>	<p>L 28 1/2" x W 15 7/8" x H 19 1/4"</p> <p>110 lbs.</p> <p>Vitreous China and Easy Clean Antibacterial Glaze</p> <p>White and Chrome Trim</p> <p>Single Flush 1.1 GPF (4.1 LPF)</p> <p>12" Rough-In</p> <p>Floor Mounted / Siphonic</p> <p>Elongated Bowl Shape</p> <p>ADA Height Toilet Bowl</p> <p>Manual and Remote Activated Flushing</p> <p>Patented Tankless Technology</p> <p>Patented Eco PowerFlush System (PAT)</p> <p>Smart Phone App Enabled Control</p>	<p>Customizable Integrated Bidet Seat</p> <p>Warm Air Dryer</p> <p>Deodorizer</p> <p>Adjustable Self- Warming Seat</p> <p>Instantly Warm Water Temperature</p> <p>Adjustable Shower Flow and Massaging</p> <p>Automated Hands-Free, Soft-Closing Seat and Lid</p> <p>Easy Clean Antibacterial Coating</p>
---	---	---

## CODES/STANDARDS

IAPMO EGS Listed  
 ASME A112.4.2, ASME A112.18.1/CSA B125.1, UL 1431, CSA C22.2 64 and 678  
 ASME 112.19.2-2013/CSA B45.1-13, ASSE1002  
 Eco PowerFlush System (PAT) 1.1. GPF  
 MAP RATING HIGHLY RECOMMENDED Flush Performance  
 EPA WaterSense®

## DETAILS

The AXENT.ONE C+ 2.0 intelligent toilet redefines intuitive design and adaptable technology. This award-winning intelligent toilet is equipped with the latest smartware technology customize your AXENT.ONE C + 2.0 functions with the swipe of a sensor or click of a button.

The AXENT.ONE C+ 2.0 is paired with the Eco PowerFlush flushing system. This tankless design and powerful flushing efficiency lends to the Axent.One C + 2.0 one-of-a-kind water conservation benefits and eliminates the need for unnecessary ceramic (a reduction of more than 25% less materials than traditional toilets