

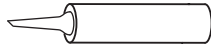
INSTALLATION INSTRUCTION STONE VANITY TOP

All Sizes

SUGGESTED TOOLS AND MATERIALS



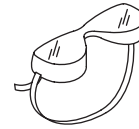
Philips Screwdriver



Sealant



Tape Measure



Safety Glasses

PARTS / HARDWARE (INCLUDED ONLY WITH AVANITY STONE TOPS)



4x



4x



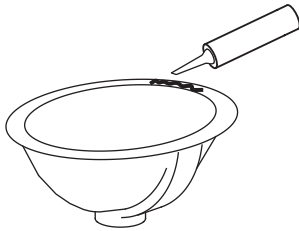
4x



4x

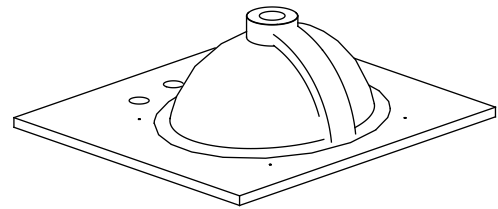
SINK INSTALLATION

1



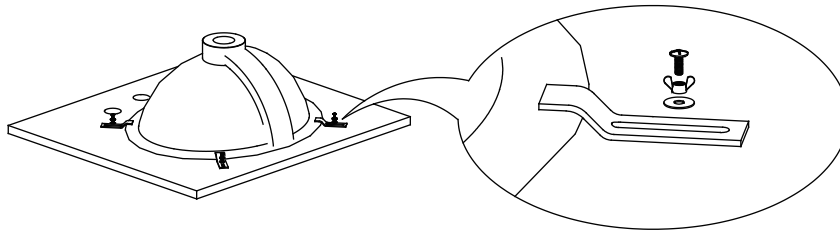
Apply a continuous bead of quality sealant to the top surface (rim) of the sink.

2



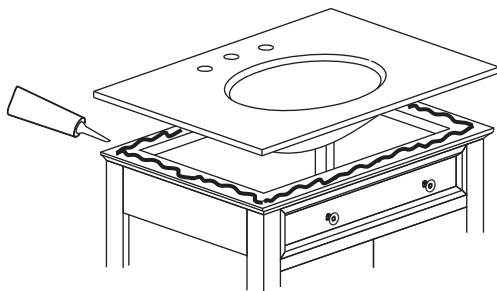
Turn the stone top upside down and place it on a clean, scratch resistant surface. Center the sink over the cutout.

3



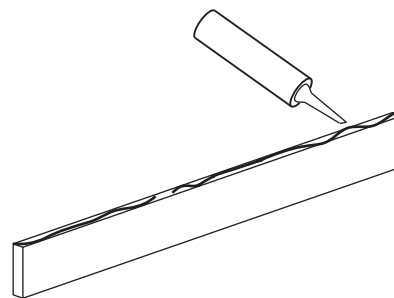
Secure the sink to the top using the mounting kit / hardware provided with the stone top, **HAND TIGHTEN ONLY.**

4



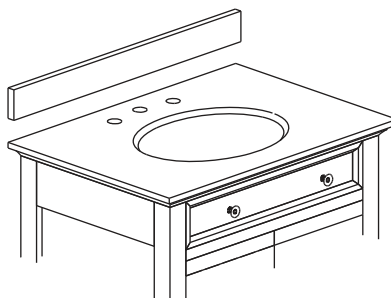
Apply bead of quality sealant evenly along the top of the vanity.

5



Apply silicone sealant evenly along the bottom of backsplash and wall.

6



Finally, place the bottom side of back splash with sealant onto the countertop and check alignment of backsplash. Adjust the leg levels as needed

****NOTE:** Sink style, shape, cutout on top, vanity may vary from the picture above. Instructional purposes only. **

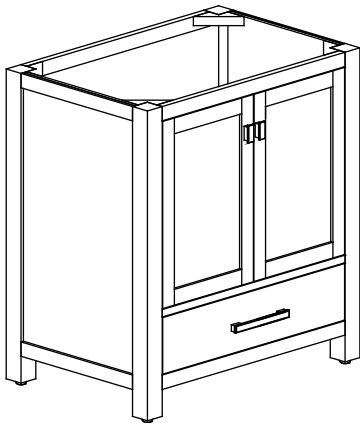
SUGGESTED TOOLS AND MATERIALS / OUTILS ET MATÉRIAUX PROPOSÉES



Tape Measure / Mètre à ruban

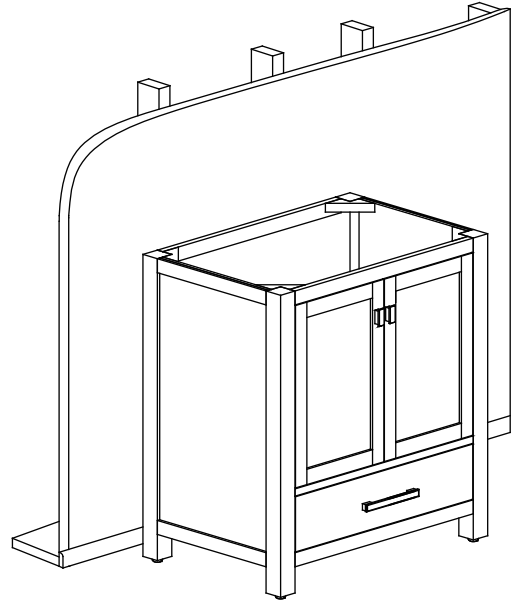
INSTALLATION INSTRUCTIONS / Les instructions d'installation

1



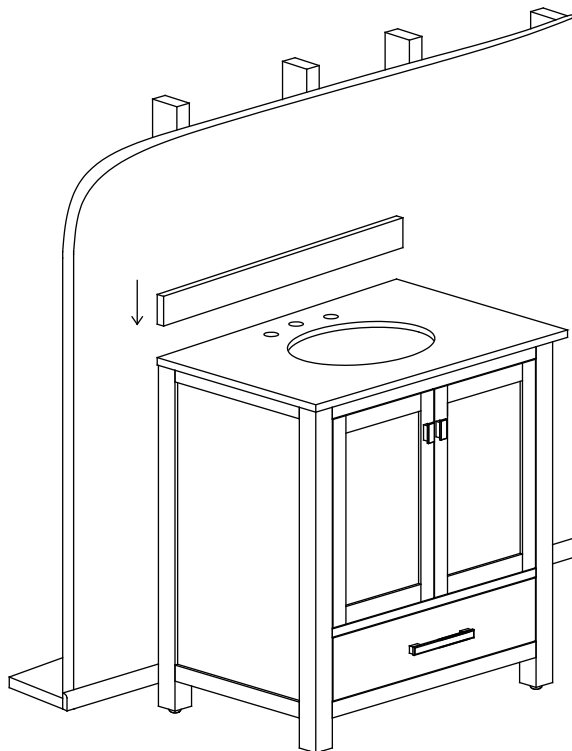
Remove vanity from box and examine vanity for any defects or damage.

2



Carefully place vanity against wall.

3



Install vanity top according to manufacturer's directions.