

## AXOR ShowerSolutions Showerarm 15" Square

Product Finish: **chrome** Part no. : **26436001**



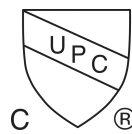
### Features

- Length: 390 mm
- Brass
- Connection type: 1/2" NPT
- Showerarm, Mounting Material, Assembly instructions

### Item details

List Price \$ 268.00

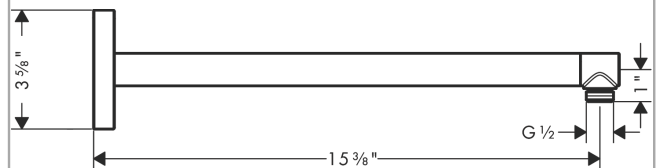
### Compliance



### Product image



### Scale drawing

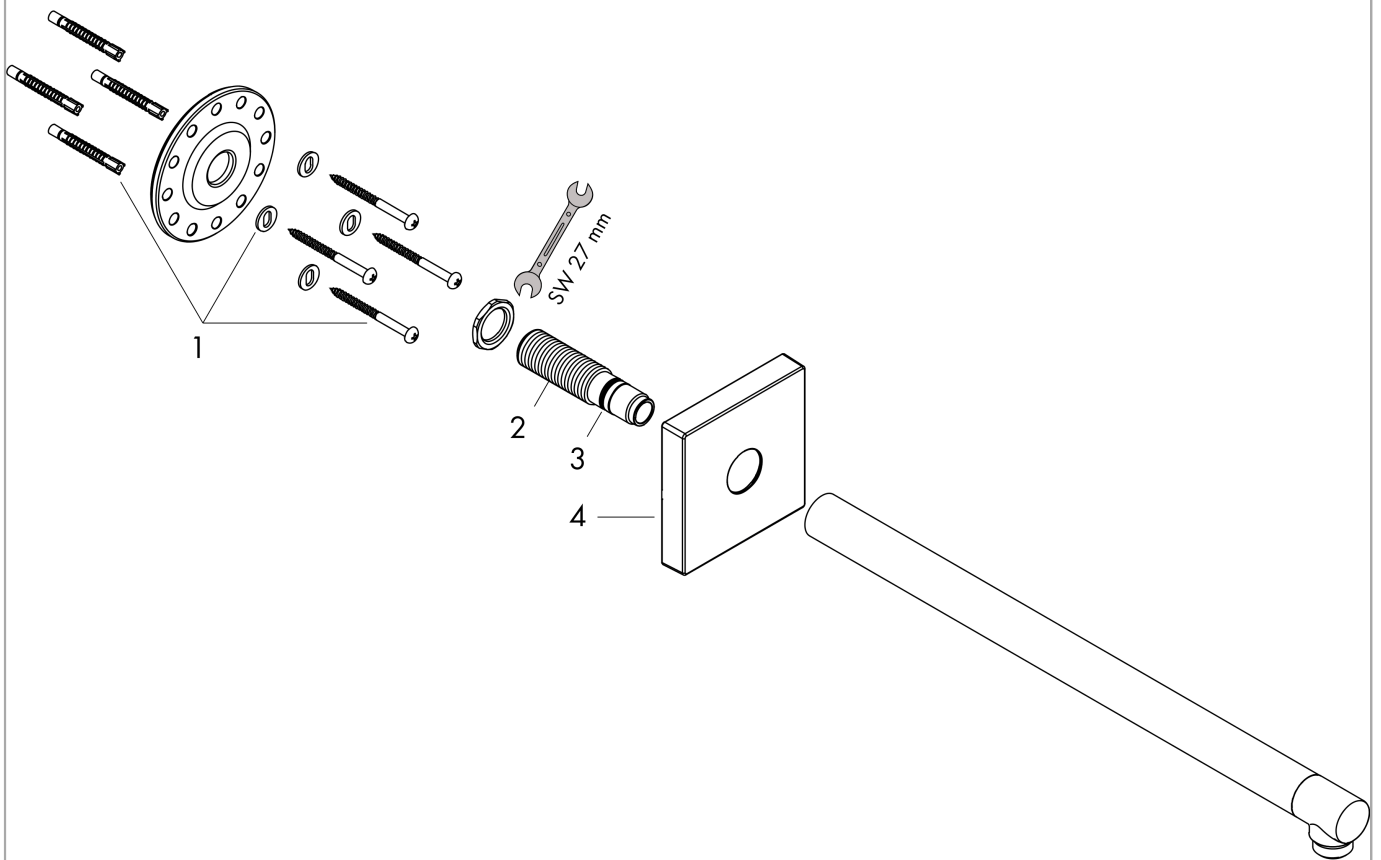


**AXOR ShowerSolutions**  
**Showerarm 15" Square**  
Product Finish: **chrome**    Part no. : **26436001**



## Exploded drawing

Year of production: >07/22



**AXOR ShowerSolutions**  
**Showerarm 15" Square**

Product Finish: **chrome**    Part no. : **26436001**



**Spare parts list**

Year of production: >07/22

Pos.		Part no.	Price	PU
1	mounting set	96179000	-	1
2	connecting thread	93418000	-	1
3	O-ring 14x2	98129000	-	1
4	escutcheon	94475000	-	1