

AXOR ShowerSolutions Showerarm 15" Square

Product Finish: **brushed nickel** Part no. : **26436821**



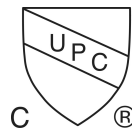
Features

- Length: 390 mm
- Brass
- Connection type: 1/2" NPT
- Showerarm, Mounting Material, Assembly instructions

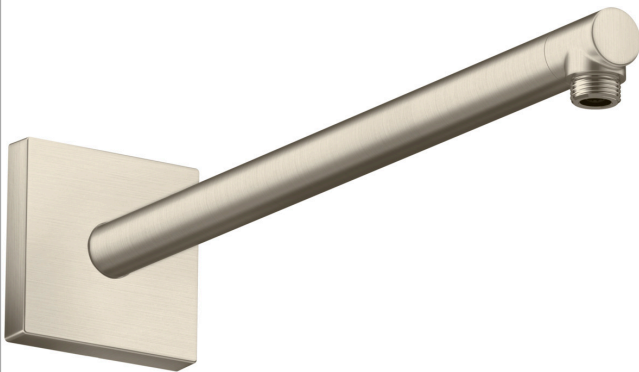
Item details

List Price \$ 354.00

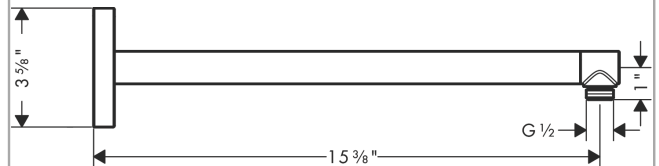
Compliance



Product image



Scale drawing

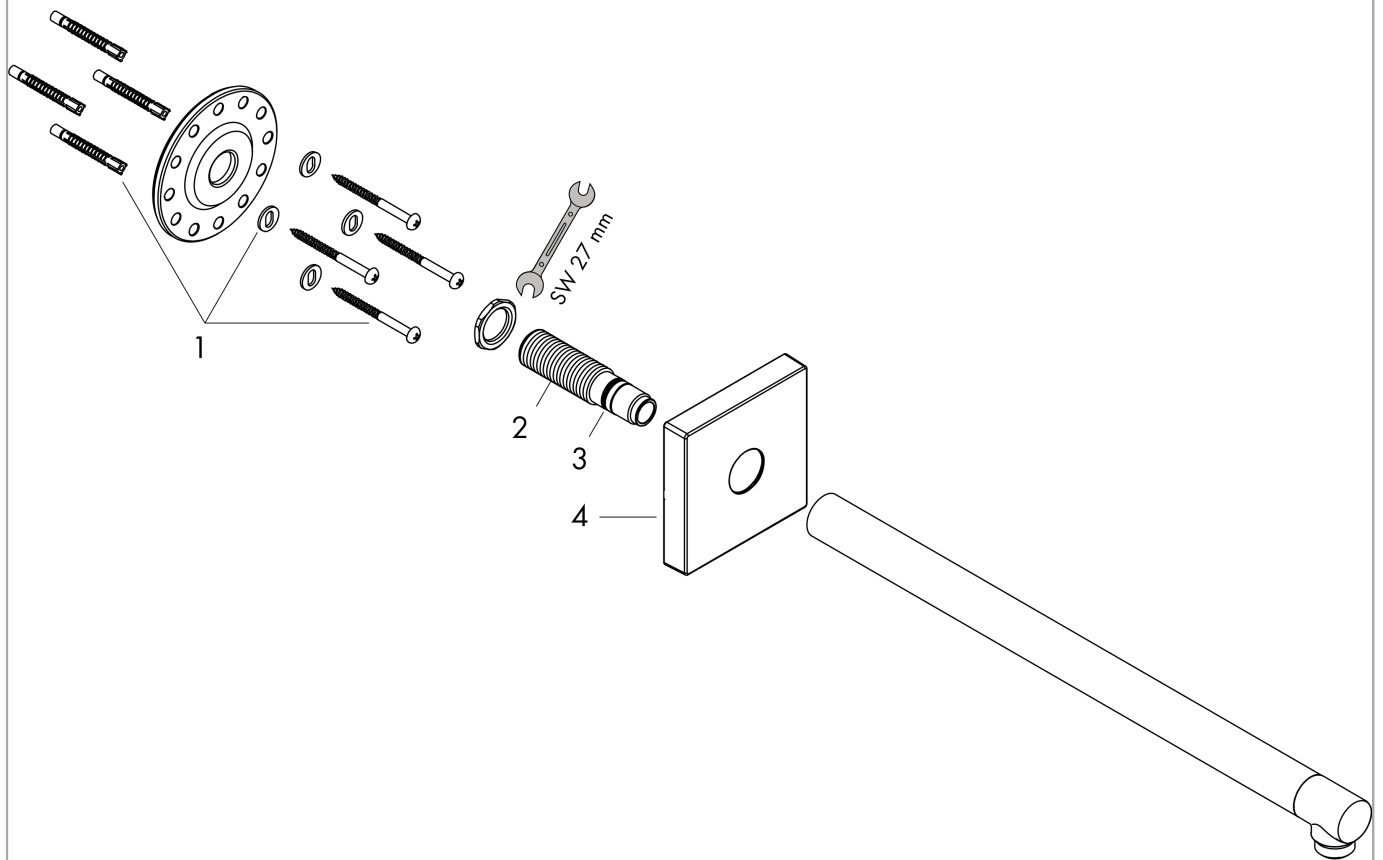


AXOR ShowerSolutions
Showerarm 15" Square
Product Finish: **brushed nickel** Part no. : **26436821**



Exploded drawing

Year of production: >07/22



AXOR ShowerSolutions
Showerarm 15" Square
 Product Finish: **brushed nickel** Part no. : **26436821**



Spare parts list

Year of production: >07/22

| Pos. | | Part no. | Price | PU |
|------|-------------------|----------|-------|----|
| 1 | mounting set | 96179000 | - | 1 |
| 2 | connecting thread | 93418000 | - | 1 |
| 3 | O-ring 14x2 | 98129000 | - | 1 |
| 4 | escutcheon | 94475000 | - | 1 |