

AS.X2 ANALYTICAL BALANCES



release date 20-04-2016



✓ Removable panes: side, top and back!

Personalization taken to the next level

The X2 is the only balance available on the market that provides a user with the option to design display using wide selection of widgets. Customised display of X2 series offers direct access to the results of your work and other important information directly from the home screen.

Weighing Data Management

USB interface facilitates quick transfer and copying of any results of your work (measurements, reports, databases) to other balances. Managing the databases of balances may be also carried out over network thanks to E2R system also offering the possibility of remote control. Network management of the weighing data increases effectivity, productivity and safety of the important data to the maximum.

The AS.X2 series represents a new advanced level for analytical balances. The X2 series balances feature the latest generation capacitive display providing the maximum comfort of use, available right at your fingertips. Ease of operation, clear menu and practical arrangement of the display guarantee the best ergonomics for your everyday tasks. A wide array of available interfaces facilitate selection of the most optimal means for communication. The X2 series balances offer unlimited possibilities for cooperation with external devices, providing printing, copying, archiving and data transfer. Built-in IR sensors allow numerous operations (e.g. tarring, transmitting the result to a printer or selecting successive steps of a particular process, etc.) to be performed hands-free, by simply moving a hand across the sensor. The housing is made of plastic, and the pan is made of stainless steel.

DATABASES IN X2 SERIES BALANCES

In new AS.X2 series balances the information system is based on 8 databases which allow several users to work with database storing several products. The registered weighing results can be subject to further analysis.

The data is registered in 8 databases:

- Users (up to 100 users),
- Products (up to 5 000 products),
- Weighments (up to 50 000 weighments),
- Packaging (up to 100 packaging types),
- Formulas (up to 100 formulas),
- Clients (up to 100 clients),
- Pipettes (up to 500 pipettes),
- ALIBI memory (up to 500 000 weighments).

The X2 series features option of making reports of 3 different categories:

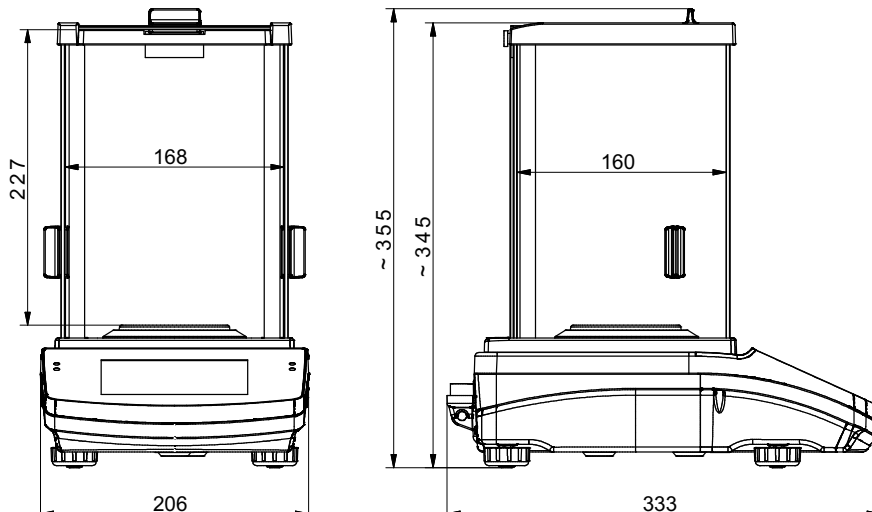
- Reports on formulas (up to 200 reports),
- Reports on density determination (up to 500 reports),
- Reports on pipettes calibration (up to 500 reports).

ALIBI Memory

The X2 series balances feature ALIBI memory that is a warranty for safety and automatic recording of your measurements. Options such as data preview, copying and archiving are available to users as well. The ALIBI memory allows to record up to 500 000 weighment records.

- Parts counting
- Dosing
- Checkweighing
- Formulation
- Percent deviations
- Statistics
- Animal weighing
- Pipettes calibration
- Autotest (GLP, Filter)
- Density determination
- Air buoyancy compensation
- GLP procedures
- Under hook weighing
- Peak hold
- Infrared sensors
- Ambient conditions monitoring
- Newton unit measurement
- Replaceable units
- ALIBI Memory
- Mass for titrator

Dimensions:



Technical specification:**AS 82/220.X2**

	-
Max capacity	82 g / 220 g
Minimum load	1 mg
Readability	0,01 mg / 0,1 mg
Tare range	-220 g
Repeatability *	0,015 mg (Rt ≤ 20 g) 0,02 mg (20 g < Rt ≤ 50 g) 0,03 mg (50 g < Rt ≤ 82 g) 0,1 mg (82 g < Rt ≤ 220 g)
Linearity	± 0,06 mg (to 82 g) ±0,2 mg (82 g ÷ 220 g)
Pan size	Ø 70 mm
Working temperature	+10° ÷ +40°C
Relative air humidity **	40% ÷ 80%
Stabilization time	6 s / 3,5 s
Sensitivity drift	1 ppm/°C in temperature +10° ÷ +40°C
Minimum weight (USP)	30 mg
Minimum weight (U = 1%, k = 2)	3 mg
Interface	2 × RS 232, USB-A, USB-B, Ethernet, WiFi - option
Power supply***	12 ÷ 16 V DC / 2,1 A
Adjustment	internal (automatic)
Display	5" colour capacitive touchscreen
Net weight/Gross weight	5,6 kg / 7,7 kg
Packaging size	490 × 400 × 505 mm

* Repeatability is expressed as a standard deviation from 10 weighing cycles.

** Non-condensing conditions

*** 250 mA for balances without WiFi module, 450 mA for balances with installed WiFi module

Technical specification:**AS 220.X2****AS 310.X2**

	-	-
Max capacity	220 g	310 g
Minimum load	10 mg	10 mg
Readability	0,1 mg	0,1 mg
Tare range	-220 g	-310 g
Repeatability *	0,1 mg	0,1 mg (Rt ≤ 220g) 0,25 mg (220g < Rt ≤ 310g)
Linearity	± 0,2 mg	± 0,3 mg
Pan size	Ø 85 mm	Ø 85 mm
Working temperature	+10° ÷ +40°C	
Relative air humidity **	40% ÷ 80%	
Stabilization time	3,5 s	
Sensitivity drift	1 ppm/°C in temperature +10° ÷ +40°C	
Interface	2 × RS 232, USB-A, USB-B, Ethernet, WiFi - option	
Power supply***	12 ÷ 16 V DC / 2,1 A	
Adjustment	internal (automatic)	
Display	5" colour capacitive touchscreen	
Net weight/Gross weight	5,6 kg / 7,7 kg	5,6 kg / 7,7 kg
Packaging size	490×400×505 mm	

* Repeatability is expressed as a standard deviation from 10 weighing cycles.

** Non-condensing conditions

*** 250 mA for balances without WiFi module, 450 mA for balances with installed WiFi module

Accessories:

Antivibration table SAL/STONE	Density determination kit
Rack for under pan weighing	Additional LCD display "WD-6"
Professional weighing table	Power adapter with battery and charger ZR-02
Impact printer - Epson	PC keyboard USB
Label printer - Citizen	External USB memory (FAT files format)
Printer USB PCL	Mass standard
Holders for glass vessels	Adjustment weight
"PW-WIN" computer software	USB A - USB B cable (balance - computer, balance - PLC printer)
"RAD-KEY" computer software	Cable RS 232 (balance - computer) "P0108"
Antistatic ionizer DJ-02	Cable RS 232 (balance-Epson/Citizen printer) "P0151"
Barcode scanner	"Tare" or "Print" foot button
Barcode scanner USB HID	

RADWAG USA L.L.C.

19599 NE 10th Ave., #E, • North Miami Beach, FL, 33179 • USA

Phone: 1-305-651-3522 • Fax: 1-305-651-3523 • <http://radwagusa.com> • e-mail: office@radwagusa.com