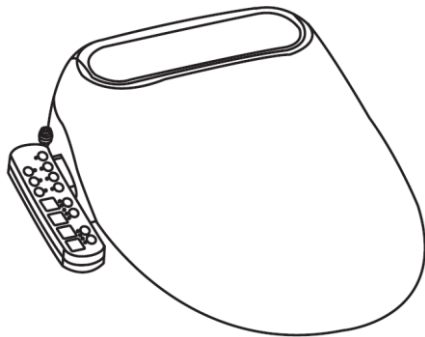




# ***Side Control User Manual***

***Clean    Comfort    Hygiene***





# ***Table of Contents***

<b>Page Description</b>	<b>Page Number</b>
Safety Precautions	2
Product Overview	4
Installation Guide	5
Electrical Supply	8
Preparation Before Use	9
Operation	10
Maintenance	14
Trouble Shooting	15
Technical Specifications	16
Warranty	17
User Information	18

# Safety Precautions

**Read all instructions before use.  
Save these instructions for future reference.**



**'Do Not' Disassemble, attempt to repair or alter the Washloo.**

Any alterations should be carried out by a qualified technician

Disassembly may result in death or injury.



**'Do Not' fully submerge the Washloo into water.**

**'Do not' use the product in locations exposed to excessive moisture and do not splash water onto the product**



**'Do Not' touch the plug with wet hands.**

This may cause a high risk of an electric shock.



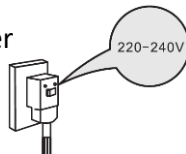
This Washloo is equipped with a cord incorporating an earth wire and an earthed plug.

The plug must be inserted into a power outlet that has been correctly installed



Before connecting the Washloo to the power supply, please ensure the water supply is connected first.

Washloos require a power supply of 220-240V



**'Do Not' loosen the plug connecting wires.**

Ensure the power cable is not damaged or excessively bent prior to use.

Exposed wires may result in an electric shock



# Safety Precautions



'Do Not' stand on the Washloo lid or seat.

Any damage found through misuse or standing on the Washloo will not be covered under warranty.



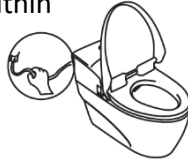
'Do Not' force the Washloo cover or seat downwards or upwards.

This will damage the 'soft closing' mechanism or the physical product. Any damage through misuse will not be covered under warranty.



'Do Not' stretch or bend the plastic water pipes supplying the Washloo.

This may result in leaks within the water supply and potentially damage the Washloo.



'Do Not' install or leave the remote control near water.

'Do Not' submerge the remote control in water as this will damage the internal circuit boards.



'Do Not' expose the Washloo to below freezing conditions.

The plastic water pipe supplying the Washloo and also the internal water system may get damaged, later resulting in leaks.



For children and seniors who have difficulties with adjusting temperature.

Users with sensitive skin or impaired heat sensitivity should set the temperature of the wash spray, air dryer and seat to 'low' or 'off'.



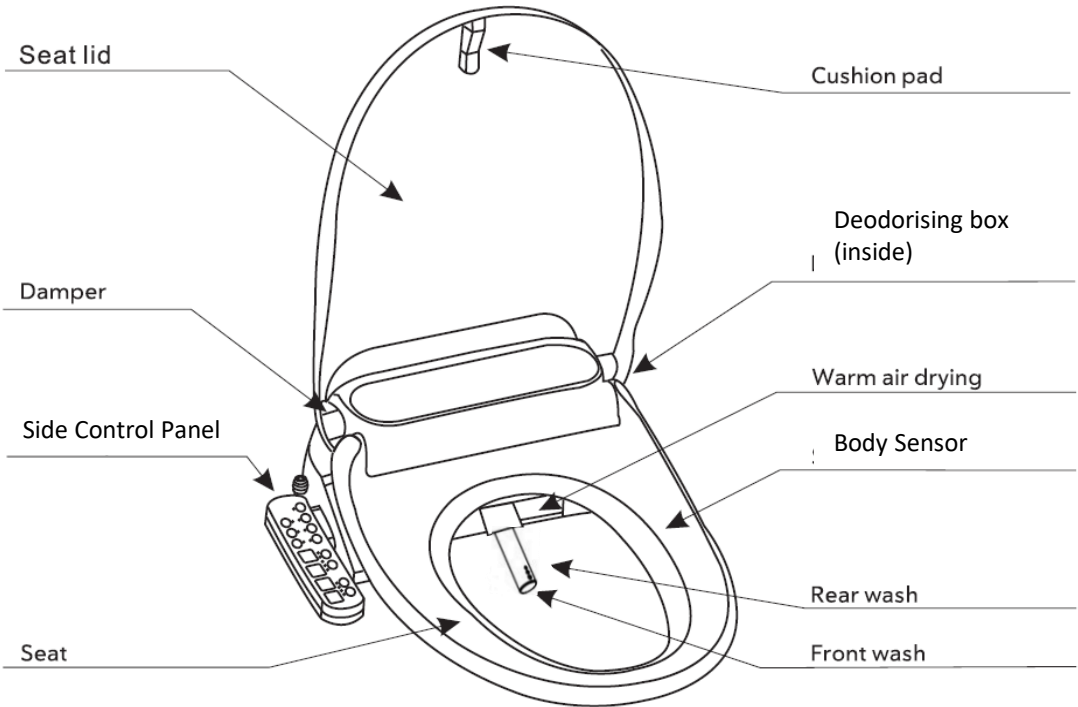
'Do Not' place an electric heater near the Washloo.

'Do Not' dispose of any burning materials such as cigarettes in the toilet. This may result in fire or product deformation.

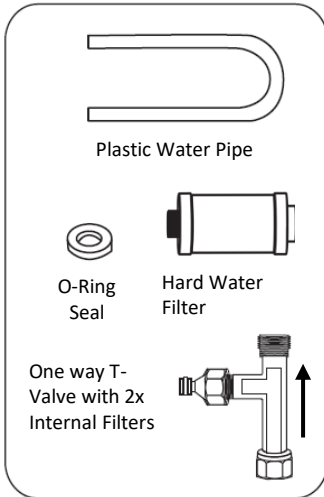


'Do Not' place any containers filled with water, medicines, food, metallic objects or flammable materials on top of the Washloo. If foreign objects enter the product, this may result in electric shock or fire.

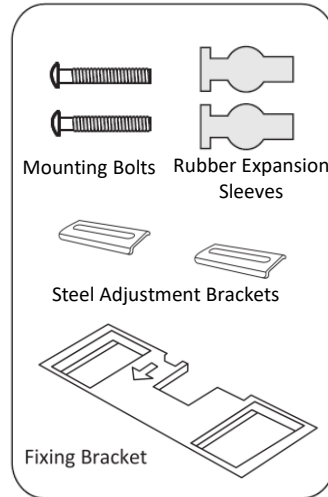
# Product Overview - Side Control Models



## Fitting Kit – All Models



Water Pipe Connecting Accessories



Washloo Attachment Accessories

Note : The above illustration is an example only, your version may vary

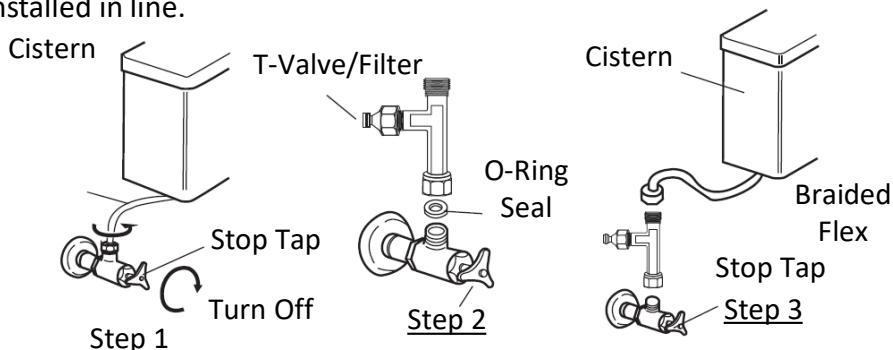
# Installation Guide

## Installation Environment

1. Prior to installation, ensure the area for the Washloo is clear and the correct model has been selected for your pan (please see online fitting/measuring guide).
2. Washloos' requires water pressure between 0.06Mpa (flow)- 0.75Mpa (Static).
3. **Do not use** tank fed water, industrial water or grey water for the supply as this may cause skin damage or disease. This may also block the filters located within the T-Piece quickly (Hard Water Areas).
4. Use the supplied T-Valve/Filter and Hard Water Filter to ensure the Washloo is correctly protected against contaminated/hard water. In hard water areas it is advisable to use an inline water softener.
5. 'Do Not' connect the Washloo to the power supply before the installation is complete.

## Installation of the T-Valve/Filter – (Hard Water Filter Page 14)

1. Turn off the water supply to your existing toilet to avoid any leaks prior to installation (turn your nearest 'Stop Tap' off). Disconnect water supply to the cistern.
2. Connect T-Valve/Filter between the water supply to your existing cistern as shown below (ensuring correct orientation with the internal check valve in the T-Piece).
3. Reconnect the water supply to your cistern now with the T-Valve/Filter installed in line.

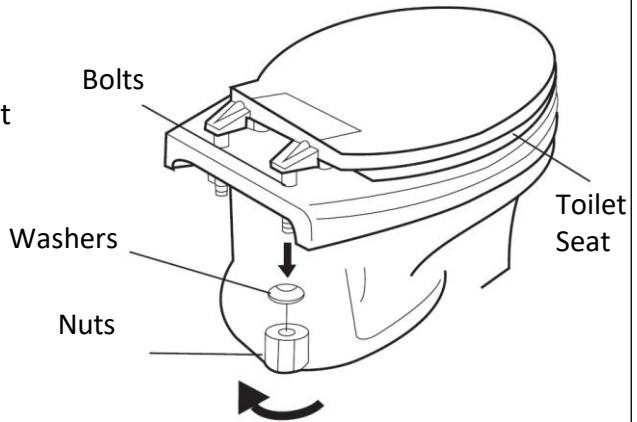


Note : The above illustration is an example only, your version may vary

# Installation Guide

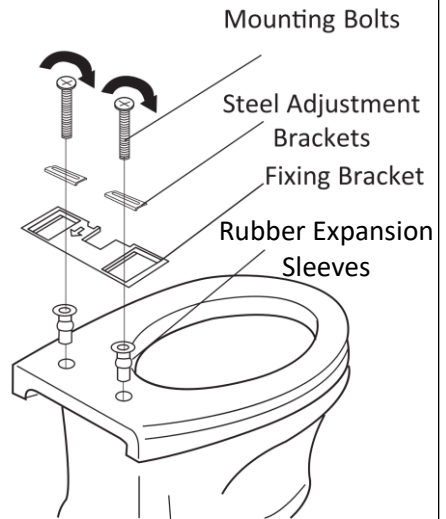
## Removal of Current Toilet Seat

1. Loosen nuts and attachment bolts holding original toilet seat on.
2. Remove original toilet seat and all fasteners



## Installation of Fixing Bracket

1. Place Rubber Expansion Sleeves into the attachment holes on your existing toilet.
2. Place the Fixing Bracket on over the installation holes.
3. Place the Steel Adjustment Brackets into the Fixing Bracket as shown.
4. Install the Mounting bolts and tighten down to ensure the 'Fixing Bracket' is in the correct position.



\*The Fixing Bracket can be adjusted between 120-180mm to allow adjustment of the Washloo.

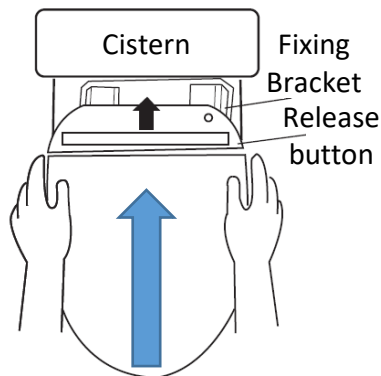


# Installation Guide

## Installation of Washloo Seat

### Installing the Washloo Seat

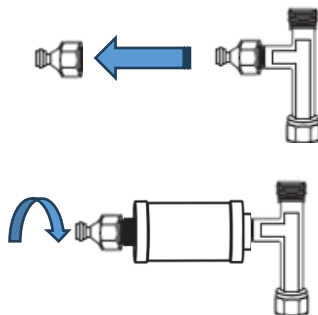
1. Place the Washloo in front of the Fixing Bracket. Using the release button on the lower righthand side allow the locating chamfer on the unit to slide backwards onto the fixing bracket.
2. Push the Washloo back onto the Fixing Bracket in a sliding motion.
3. Ensure the Fixing Bracket does not move and misalign the Washloo.



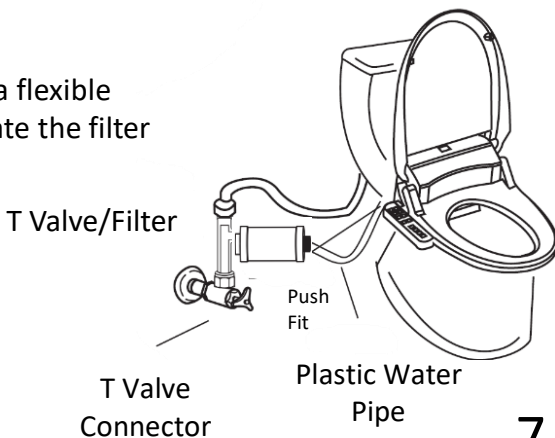
**NOTE; Release button located under the power cable on the side of the Washloo - Hold in to release locking mechanism.**

## Installation of Water Pipe and Hard Water Filter

1. Unscrew the white push fit adapter from T-Valve
2. Screw on the hard water filter as shown. Then re-attach the white push fit adapter on to the end of the filter:
3. Hard Water Filter installed on to metal T-Valve outlet, with push fitting attaching the Water Pipe to the Washloo.



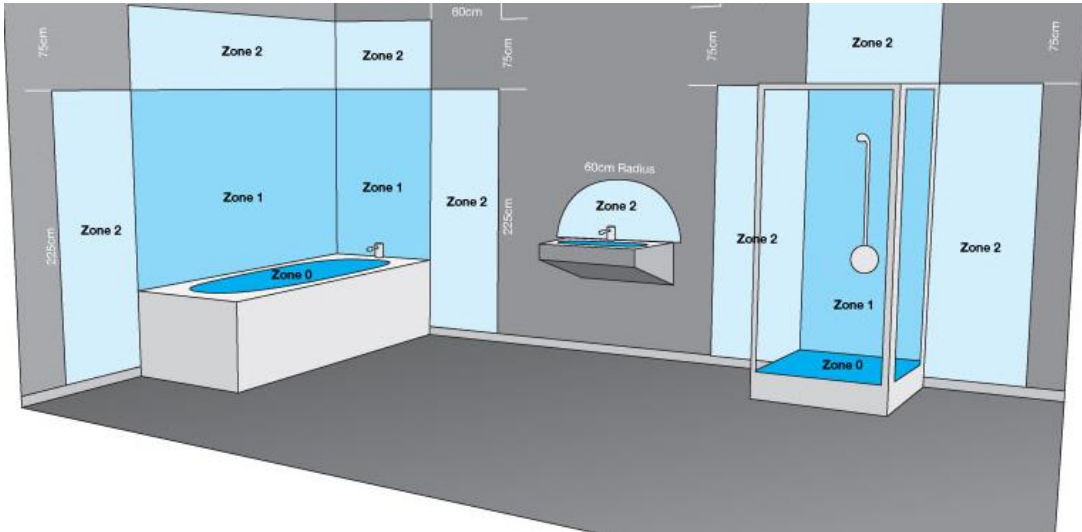
**NOTE;** if space is limited you can use a flexible braided hose with  $\frac{1}{2}$ " fittings to relocate the filter to a more accessible/hidden position.



# Installation Guide

## Electrical Supply – Fused Spur Zones

1. For bathroom regulations, a fused spur can be installed by a qualified electrician outside any Zone 2 as detailed below (known as Zone 3).
  2. Removal of the sealed 3 pin plug and RCD is recommended when connecting to a fused spur (this does not affect warranty).
- Zone 3 is anywhere outside zones 0, 1 and 2 (subject to specific limits) and where no water jet is likely to be used. No IP rating is required in these areas.



## Preparation for water supply and test for operation.

1. Insert the electric plug into the designated socket/fused spur as recommended by a qualified electrician.
2. When switched on – all lights on the unit will be illuminated. The Washloo will now prime the water system for around 10 seconds and finally the nozzle will extend out whilst performing a cleaning/first use test function.
3. After the first use test cycle – all lights will now turn off and a buzzer sound will notify the user that the full cycle is now complete.
4. Now press the 'Power On' button on the toilet and/or remote control to set the toilet to the 'Standby' setting.
5. Please note – Set the water temperature, water pressure and seat temperature accordingly before use (We recommend you to set to a low temperature/pressure for first use to avoid sensitivity until you are familiar with the Washloo seat).

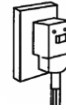
Note : The above illustration is an example only, your version may vary

# Preparations Before Use

1. Open the water inlet valve



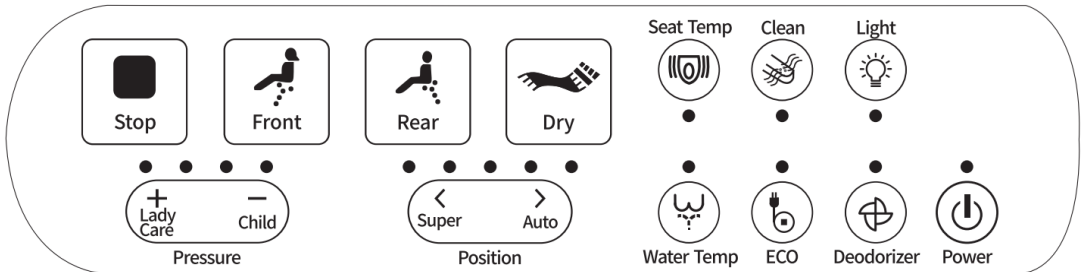
2. Ensure the plug is inserted into the socket and the indicator light is on



3. Confirm the control panel power indicator light is on.



4. Press the power button on the panel to confirm the power indicator is now on.



## Control Panel

The following pages will describe the operation and functions of the Washloo Side Controls.

Note : The above illustration is an example only, your version may vary

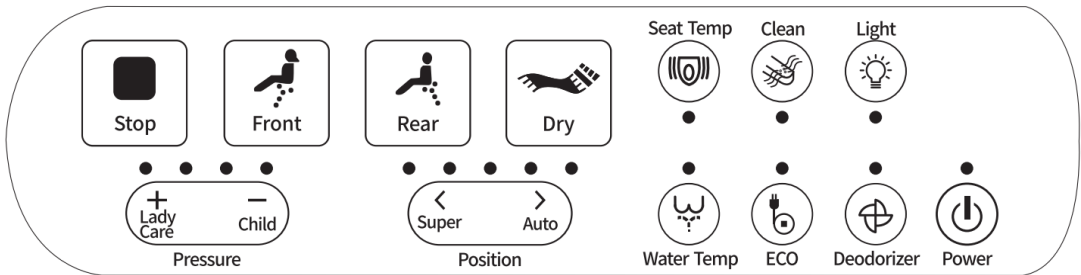
# Side Control - Operation

## Front Wash

When you are seated and press this button, this activates the feminine wash. Press this button again and the nozzle will move forwards and backwards.

## Rear Wash / Oscillating

When you are seated and press this button, this activates the posterior wash. Press this button again and the nozzle will move forwards and backwards.



## Pressure Adjustment

While the cleansing function is operating, press the + or – button to increase or decrease the pressure. There are three pressure levels:

- LOW
- MED
- HIGH.

The indicator display will show the pressure setting that has been selected through the lights illuminated

## Nozzle Position

Adjust nozzle position using forward or backwards button according to your preference and convenience during washing. Please note that during the 'oscillation motion' the adjustment of the nozzle will not be possible.

The indicator display will show the nozzle position that has been selected through the lights illuminated

## Stop

At any point, All currently operating functions will stop by pressing this button.

Note : The above illustration is an example only, your version may vary

# Side Control - Operation

## Nozzle Cleaning



Press this button to operate the nozzle cleaning function.

- Nozzle cleaning is not available whilst you are seated.
- Before Rear Wash and Front Wash the nozzle will self cleanse.
- The Nozzle ends/jets can be removed and cleaned by twisting Anti-Clockwise to remove the bayonet fittings (following the maintenance procedure).

## Stop



All currently operating functions will stop by pressing this button.

## Dryer

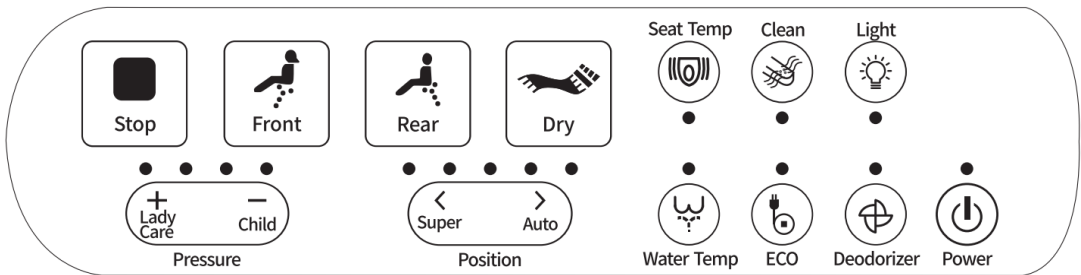


Press this button to use the warm air drying function (when the dryer is in operation the deodorization function will be turned off).

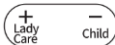
## Night Light



Press this button to turn on the Night Light. Press again to turn off.



## Dryer Air Temp



Dryer Temperature can be adjusted using the + and – symbols. There are 4 temperature settings which are displayed through the illuminated lights.

## Water Temp



Press 'Water Temp' button to adjust the water temperature to desired level. There are 4 temperature levels indicated by the coloured light on the side control.

1. LOW 33°C - BLUE
2. MEDIUM 36°C - GREEN
3. HIGH 39°C - RED
4. OFF – NO LIGHT

Note : The above illustration is an example only, your version may vary

# Side Control - Operation

## Stop

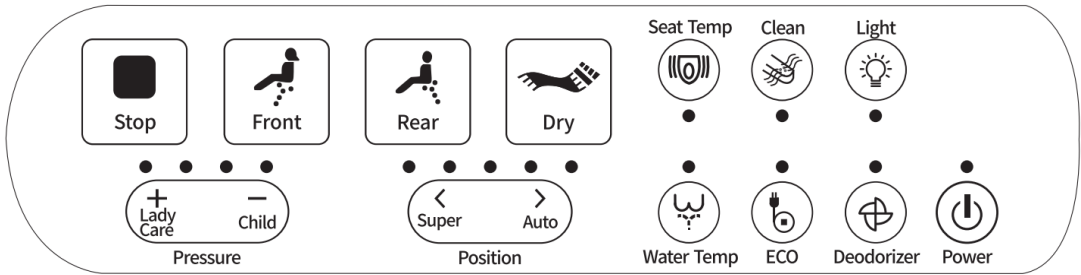
All currently operating functions will stop by pressing this button.

## Deodoriser

Press this button and the deodoriser will operate, press again to switch off. When the user leaves the seat, the deodoriser will turn on for 1.5 minutes.

## Power

Switch On or Off here. Indicator light shows. Note; Normally Leave On



## Seat Temp

Press this button to control the seat temperature. There are 4 temperature levels indicated by the light above;

1. LOW 33°C - BLUE
2. MEDIUM 36°C - GREEN
3. HIGH 39°C - RED
4. OFF – NO LIGHT

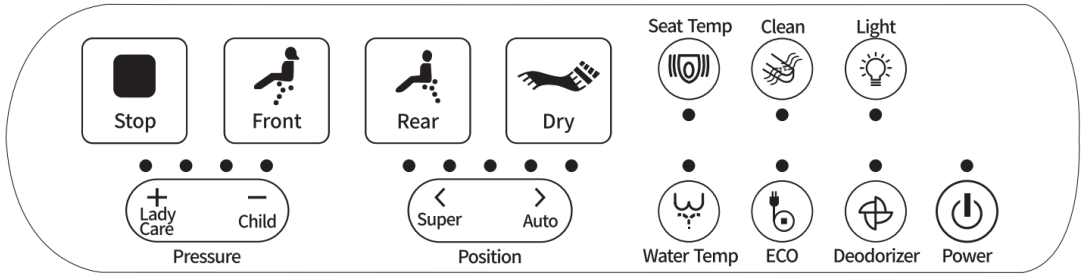
After 10 minutes of inactive use, the temperature of the seat will be lowered and maintained at 35°C, in preparation for the next occupant.

## Energy Saving/ECO

By pressing the 'Energy Saving/ECO' button, the bidet will automatically enter the Power Save mode. The light will remain on for approx. 1.5 minutes. Now the system will remain in the energy saving mode. Water and seat temp will stay at 25°C. Last used settings resume when user activates seat again.

Note : The above illustration is an example only, your version may vary

# Side Control - Operation



## Lady Care



Front wash will automatically be selected. Water temp will be set to its highest - HIGH 39°C (number 3) and water pressure is set to MEDIUM 36°C (number 2). The cleaning position is set to default and the cleaning cycle will be automatically set to 2 minutes.

## Child Wash



This function is designed for children. Pressing this button activates the below process;  
Front wash for 30 seconds  
The water pressure is set to minimum and water temperature is set to MEDIUM 36°C (number 2).

## One Solution/Auto



When you are seated and press this button, this activates the process below;

1. Rear Wash (40 seconds)
2. Oscillating Wash (30 seconds)
3. Warm Air Dryer (2 minutes)

## Strong Wash/Super



When you are seated and press this button it activates the 'Strong Wash' function, which uses an intensive water pulsation to help remove defecation. This will automatically set the water pressure to its maximum setting.

Note : The above illustration is an example only, your version may vary

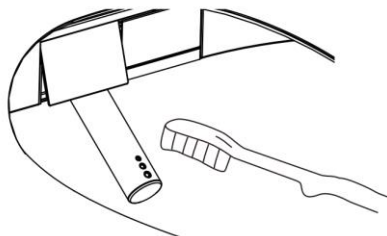
# Maintenance

## Cleaning and Maintenance; Nozzle Cleaning.

Press the Front/Nozzle button, the nozzle will then come out and begin the 'Auto Washing Function.' It is now possible to use a soft brush to clean the nozzle and jet.



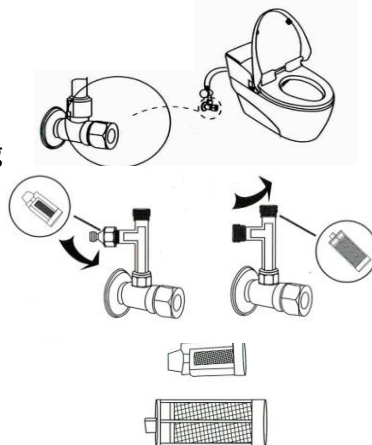
\*Do not use a steel brush to clean.



## Cleaning and Maintenance; Filter Removal

**NOTE – If the water pressure reduces please remove and clean the filter as shown below.**

1. Close the shut off valve and stop the water supply.
2. Disassemble the filter – remove the filter using the 'spanner' provided.
3. Remove filter out of 'T-Piece' as shown in the illustration.
4. Clean any debris from the filter using a small brush and rinse thoroughly.
5. To reinstall please follow the reverse of the above instructions.



## Not using the toilet for a long period

Turn off the water supply at the Stop Valve/T- Piece and power supply.



# Trouble Shooting

<u>Problem</u>	<u>Problem Causes</u>	<u>Problem Solutions</u>
<b>The Bidet is not working</b>	<ol style="list-style-type: none"> <li>1. Bidet not plugged in.</li> <li>2. No power to bidet.</li> <li>3. There is power, but no functions are working when trying to use.</li> <li>4. Not activated by body sensor.</li> </ol>	<ol style="list-style-type: none"> <li>1. Make sure the bidet is plugged in.</li> <li>2. Check the power button on the control panel to see if it is turned 'Off.'</li> <li>3. Check remote control batteries are not dead for the models with remotes.</li> </ol>
<b>Product shuts off during use</b>	<ol style="list-style-type: none"> <li>1. Washing time exceeded (check handbook for auto timings)</li> <li>2. Power failure.</li> <li>3. Filters or internal solenoid blocked</li> </ol>	<ol style="list-style-type: none"> <li>1. Press the wash button to extend the time.</li> <li>2. Check power to the Washloo.</li> <li>3. Check filters and water supply.</li> </ol>
<b>3 beeps</b>	<ol style="list-style-type: none"> <li>1. Water pressure is too low for the unit to operate.</li> <li>2. Hard Water build up</li> </ol>	<ol style="list-style-type: none"> <li>1. Reset the unit and check water supply.</li> <li>2. Filters within the T-Piece are blocked. Remove and clean.</li> <li>3. Internal inlet solenoid blocked.</li> </ol>
<b>Lower water flow / Spray pressure</b>	<ol style="list-style-type: none"> <li>1. Clogged Mesh Filter</li> <li>2. Water supply valve not opened fully.</li> <li>3. Nozzle outlets are dirty/clogged.</li> <li>4. Pressure settings are set too low.</li> </ol>	<ol style="list-style-type: none"> <li>1. Remove, clean and reinstall mesh filter (as per guidelines).</li> <li>2. Check water supply is fully open.</li> <li>3. Clean Nozzle Outlets as per guidelines.</li> <li>4. Adjust water pressure settings.</li> </ol>
<b>Bidet wash feature does not work or fails to spray.</b>	Body sensor does not detect that you are sat on the Washloo.	Adjust seating position to fully cover the body sensor.
<b>Seat not heated.</b>	Seat temperature set to off	Make sure that the seat temp setting is on <b>Low</b> – light 4, <b>Med</b> – lights 4&5 <b>High</b> – lights 4/5/6 and <b>Off</b> – No Lights.)
<b>Water (Wash Spray) not heated.</b>	Water temperature set to off.	Make sure that the water temp setting is on (Low – light 1, Med –light 1&2, High – 1/2/3 lights and Off – No lights)
<b>Water flows before or after use.</b>	Water coming from the nozzles.	<ol style="list-style-type: none"> <li>1. The water that comes out between the nozzles before or after use, is the 'self-cleaning' operation and is not a malfunction.</li> <li>2. Residual water may drip into the bowl for several seconds after the wash or self-cleaning function has operated. This is not a malfunction.</li> </ol>
<b>Water leaks from areas other than the nozzles.</b>	<ol style="list-style-type: none"> <li>1. Water is leaking from the T-Valve.</li> <li>2. Water leaking from the Bidet hose connection.</li> </ol>	<ol style="list-style-type: none"> <li>1. Make sure that the rubber washer is inserted correctly and firmly tighten the connector.</li> <li>2. Make sure the bidet hose is correctly connected and tight.</li> </ol>

# Technical Specifications

Product Specification	
Voltage	AC220-240V 50HZ
Water Supply	Direct connection to water pipe/mains
Water Pressure	Equivalent to 0.6-7.5 BAR
Warm Washing	Water Pressure Adjustable in 4 levels
	Temperature control (4 Levels, room temperature/33°C/36°C/39°C Adjustable)
	Heater Capacity : 1520W
	Temperature Control system, , Temperature Reset Switch, Temperature fuse overheat protection with water and electricity isolation system.
Warm Air Dryer	Power : 200W
	Temperature control (4 Levels, room temperature to 52°C Adjustable)
	Temperature Control system, Temperature Reset Switch, Temperature fuse over heat protection with water and electricity isolation system.
Warm Seat	Power : 50W
	Soft Closing Lid Design
	Temperature control (4 Levels, room temperature/33°C/36°C/39°C Adjustable)
	Temperature Control system, , Temperature Reset Switch, Temperature fuse overheat protection with water and electricity isolation system.
Power Cord Length	1.5m
Safety Device	Floating Switch, temperature sensor, temperature fuse, earth leakage protection, water and electricity isolation system.
Deodoriser	Chemical absorption by deodoriser cartridge.
IP Rating	IPX4
Size	Weight 5.4kg
	510mm 380mm 150mm Remote Control 510mm 445mm 150mm Side Control
Colour	White
Certificate	CE RoHS SAA

# Warranty

This electronic bidet has been designed and manufactured with great care and attention to detail. We offer a 24 month warranty.

In the following cases the warranty does not apply;

1. Damage or loss sustained in fire, earth quake, flood, thunder or other acts of providence, pollution, gas damage, salt damage and abnormal voltage.
2. Damage or loss resulting from installation methods not in the manual, any unreasonable use, abuse, negligence or improper maintenance.
3. Damage or loss resulting from modification, disassembly and destruction of the product.
4. Damage or loss resulting from hard water, water stain retention, sediments or foreign objects contained in the water system.
5. Damage or loss resulting from relocation after instalment, improper installation or in a hazardous environment.
6. Damage or loss resulting from defect caused by miss-fitting or wrongly shaped attachment.
7. Damage or loss resulting from bites by animals or insects or residual of dead animals or insects.
8. Damage or loss resulting from product freezing.
9. Damage or loss resulting from use of the product if mounted on moving vehicles such as cars, ships and caravans.
10. Damage or loss resulting from deterioration of battery etc.
11. Damage or loss resulting from lack of user's maintenance points (i.e. cleaning, filter, washer, packing etc.).
12. Damage or loss resulting from physical or accidental damage;  
This includes cracks, stress marks and breakages from over extension or force of the lid cover and seat.

# Important User Manual Information

If you want to dispose of this product, do not mix with general household waste. There is a separate collection system for used electronic products in accordance with legislation that requires proper treatment, recovery and recycling.

Only discard discharged batteries. They should not be disposed of in household waste, use appropriate collection sites.

Memo





***Modern Life, Smart Choice***

Shades and dimensions subject to the usual tolerance.  
We reserve the right to make technical modifications to the range and alter colors.