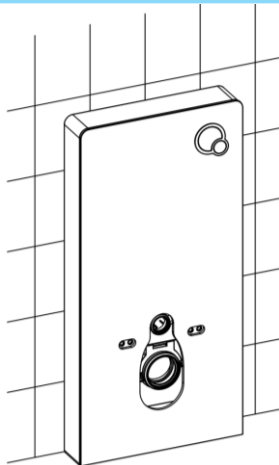




Intelligently Clean, and that's the Bottom Line!

Washloo Pinnacle Monolith Wall Hung Installation

Clean Comfort Hygiene





Intelligently Clean, and that's the Bottom Line!

Table of Contents

Page Description	Page Number
Safety Precautions	2
Bill of Materials	3
Technical Drawings/Dimensions	5
Pinnacle Installation	6
Maintenance & Service	14
Flush Adjustment & Cleaning	18
Technical Specifications	20
Warranty	21
User Information	22

Safety Precautions

Read all instructions before use.

Save these instructions for future reference.



Warning

May result in death or serious injury.



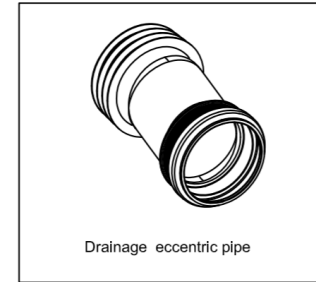
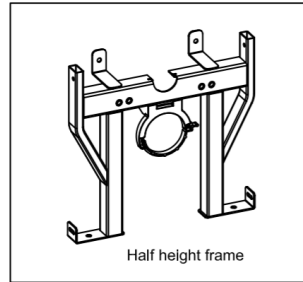
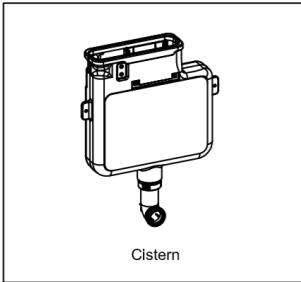
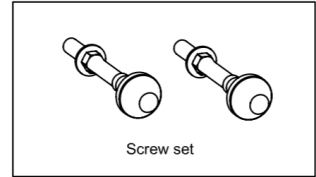
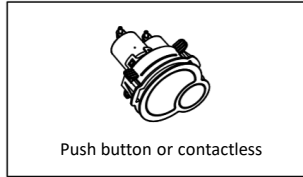
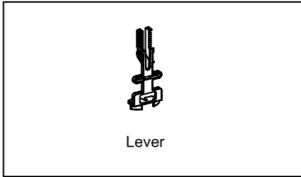
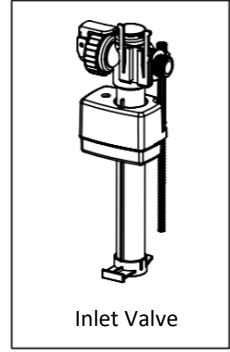
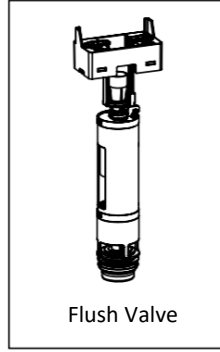
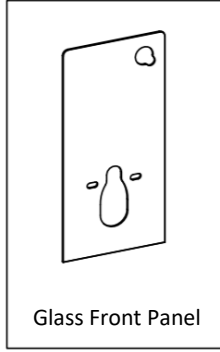
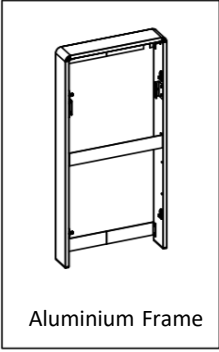
Caution

May result in injury or property damage.

CAUTION
























1. Do not connect the mains water to the hot water pipe (only connect to cold water supply)
2. After the installation, make sure to check all water supply connections for leaks. Rubber washers should be in place for the water connection hoses and T valves.
3. If the product will not be used for a long period of time, unplug the power cord, close the main water supply valve and drain any water in the water tank.
4. Do not pull hoses or connection hose using excessive force.
5. Do not use thinners, benzene, acidic chemicals, chloride or hydrochloric acid detergents. This may result in corrosion to the metallic components and potential discolouration or scratches to the body of the unit.
6. This appliance is not intended for use by persons (including children) with reduced physical, sensory or mental capabilities, or lack of experience and knowledge unless they have been given supervision or introductions concerning the use of the appliance by a person responsible for their safety. Children should also be supervised to ensure that they do not play with the appliance.

Pinnacle - Bill of Materials



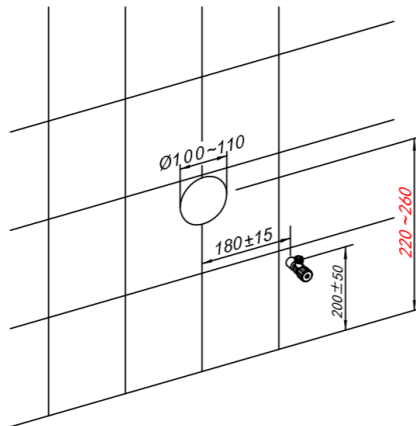
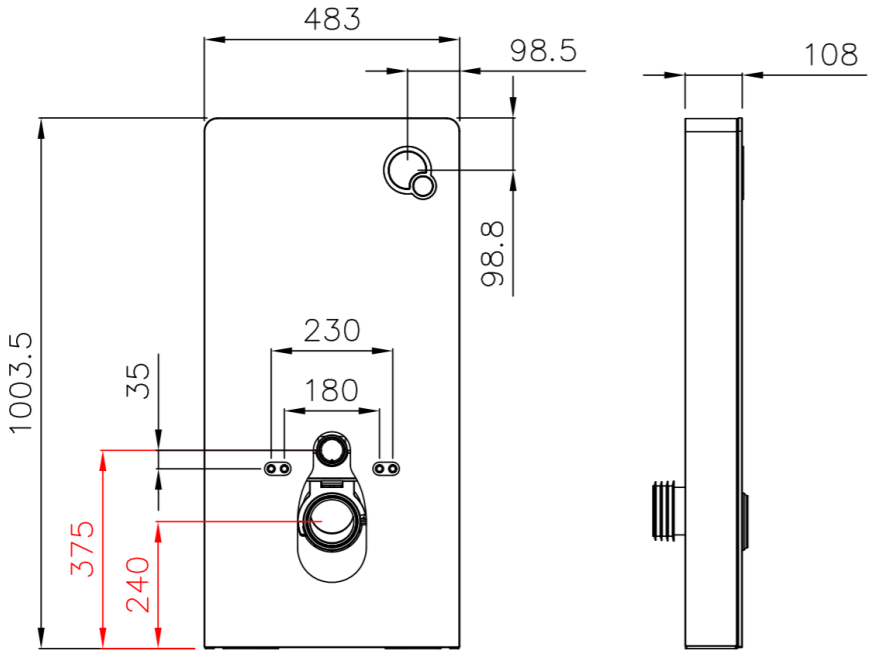
Note : The above illustration is an example only, your version may vary

Pinnacle - Bill of Materials

Accessories list	Names	Specification	Quantity	Item List	Names	Specifications	Quantity
	rubber seal	Ø110	1		expansion nut	SX10 Ø6-8	2
	straight flush pipe		1		screw	ST6.8*67	2
	pipe connection		1		small washer	Ø22*2.0	2
	eccentric pipe		1		M12 bolt		2
	rubber seal		1		decorative cap		2
	white air hose	white	1		M12 nut		2
	blue air hose	blue	1		big washer	Ø32.5*2.5	2
	toilet mat		1		rubber sleeve		2
	flush pipe		1		decorative cap base		2
	rubber seal on above pipe	Ø60	1		steel expansion bolt		2
	expansion nut	8*40	2		washer	Ø11*1.2	2
	screw	ST4.8*45	2				

Note : The above illustration is an example only, your version may vary

Pinnacle – Technical Drawings/Dimensions

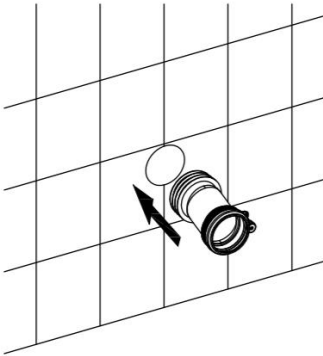


Note : The above illustration is an example only, your version may vary

Pinnacle - Installation

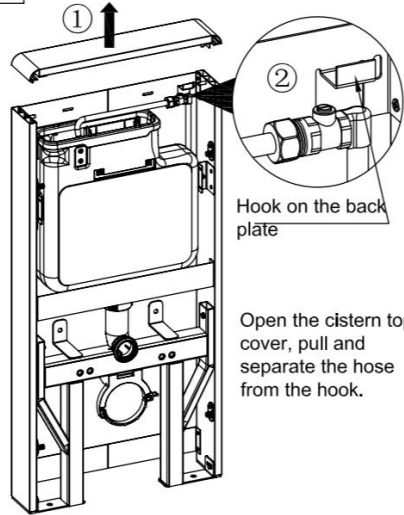
1

Cistern installation



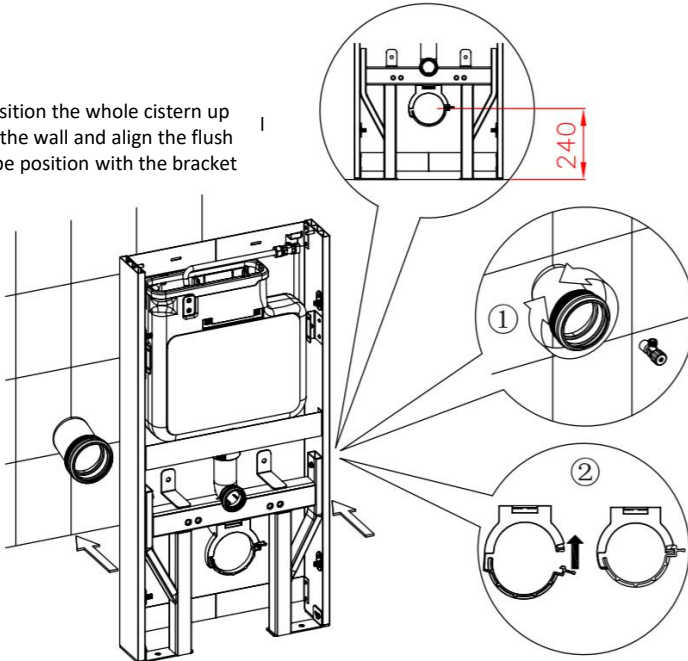
Insert the drainage pipe into the drainage hole on the wall

2



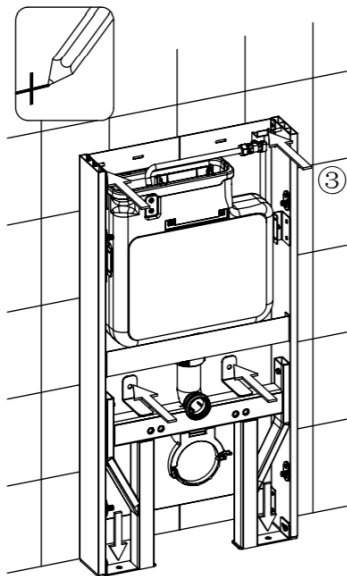
3

Position the whole cistern up to the wall and align the flush pipe position with the bracket

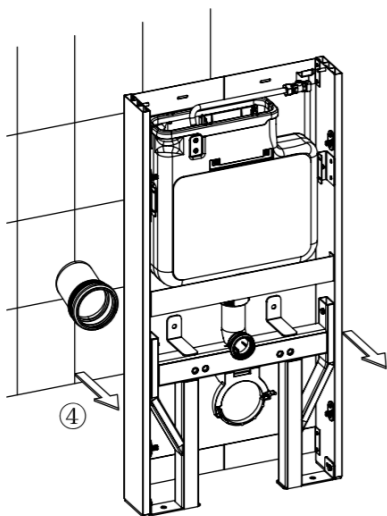


Note : The above illustration is an example only, your version may vary

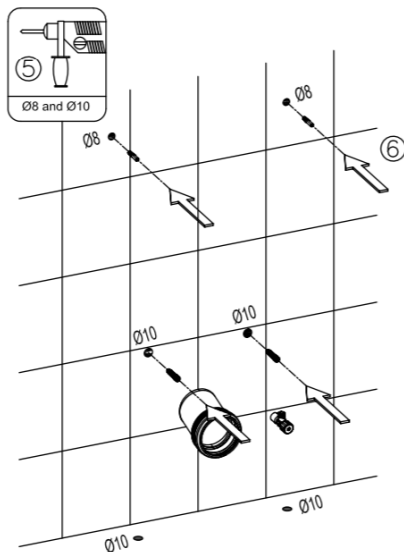
Pinnacle - Installation



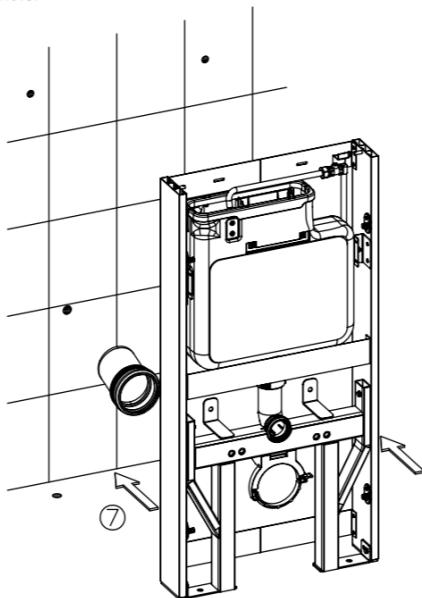
As indicated by the arrows, mark the 4 points on the wall and 2 points on the ground accordingly.



Then move the cistern away from the wall



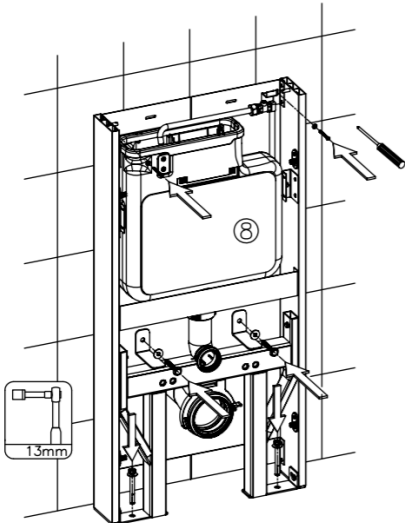
Drill the holes according to the marked points (the holes' depth must be deeper than the length of the expansion nut, the diameter shown as in the picture) and press the corresponding expansion nut into the hole.



Position the cistern back on to the wall in the correct place

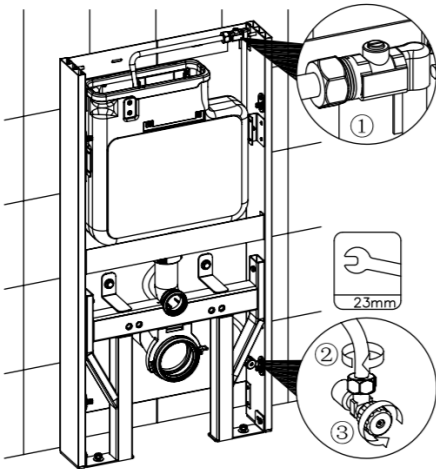
Note : The above illustration is an example only, your version may vary

Pinnacle - Installation

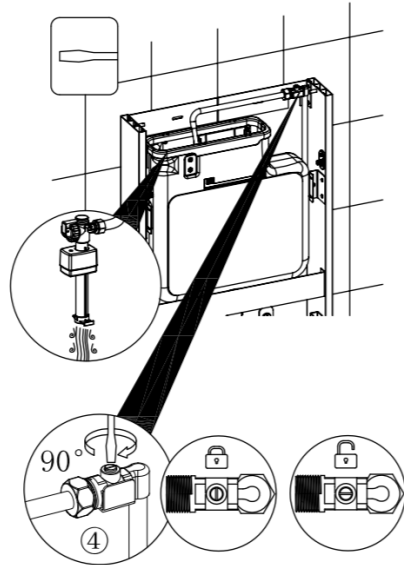


Lock the corresponding size of the screws into the expansion nut in the wall and steel expansion bolt on the floor

4



Click/mount the hose in to the holder bracket, then connect the hose into the valve

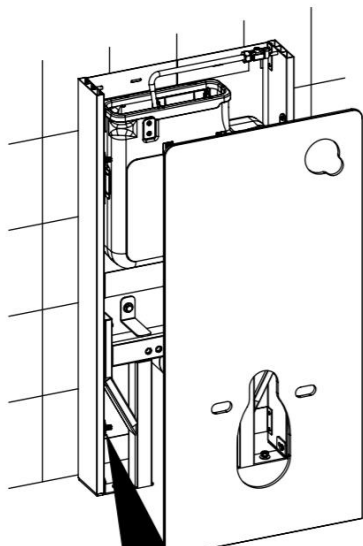


Open the stop valve on the hose to see whether it works and water runs into cistern tank

Note : The above illustration is an example only, your version may vary

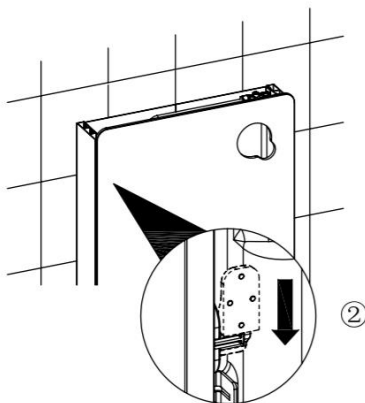
Pinnacle - Installation

5



Hang hook on the panel (4pcs)

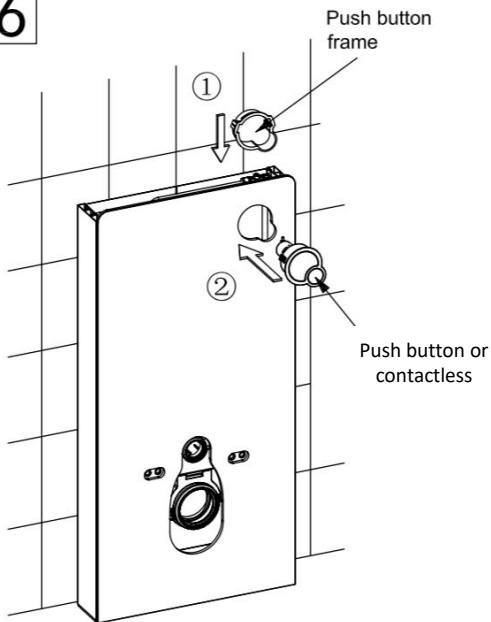
①



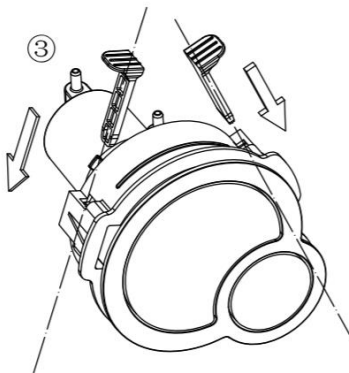
②

Install the panel, making sure the glass panel is carefully pushed close to the aluminium frame, then push the panel down until it is fully mounted on the hangers/hooks on the frame

6



Install the push button frame and button onto the glass

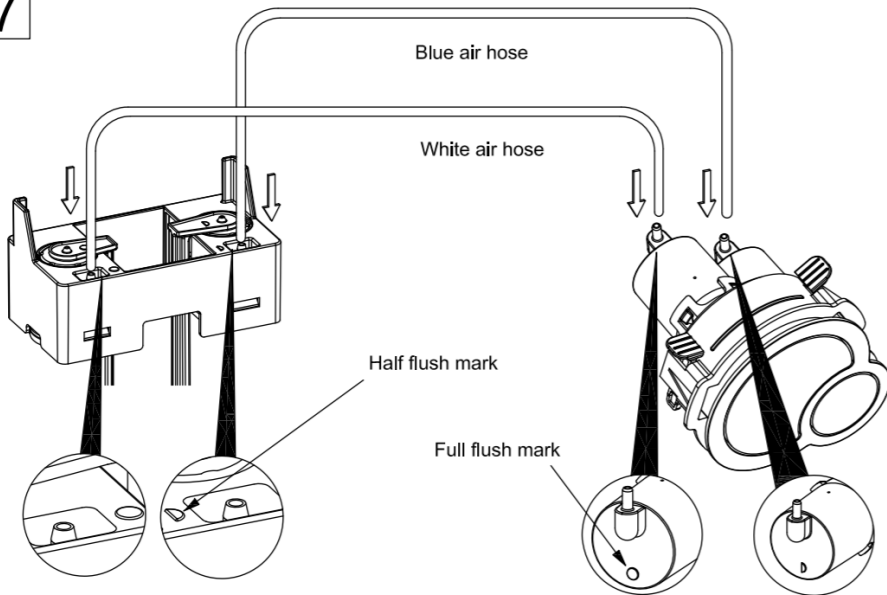


Insert the two plugs into the positions as shown

Note : The above illustration is an example only, your version may vary

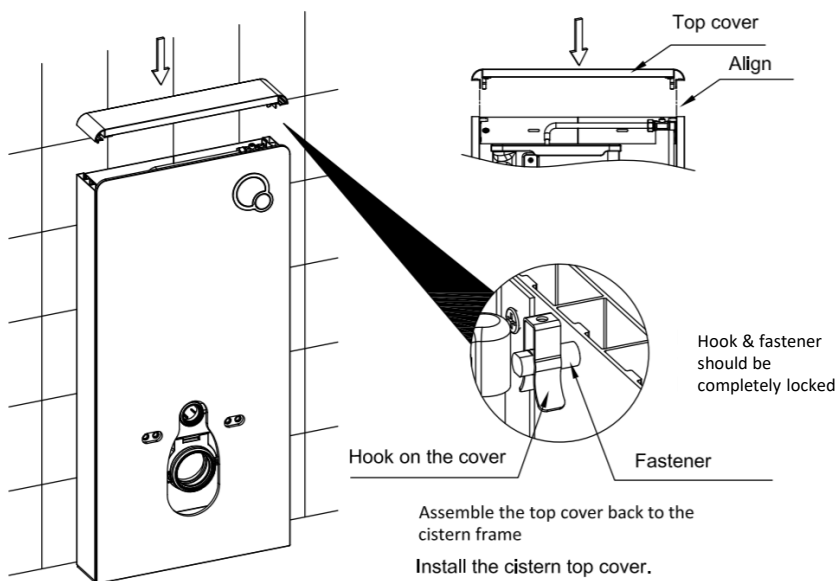
Pinnacle - Installation

7



Connect air hoses to the correct positions

8

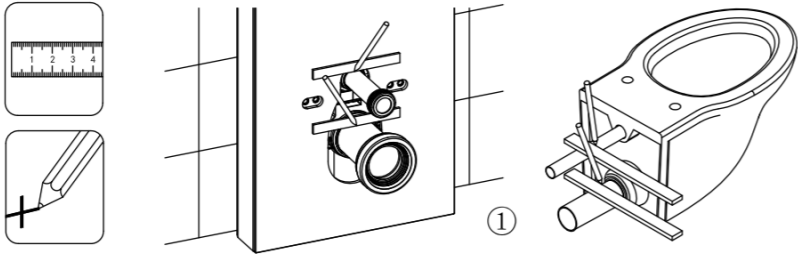


Note : The above illustration is an example only, your version may vary

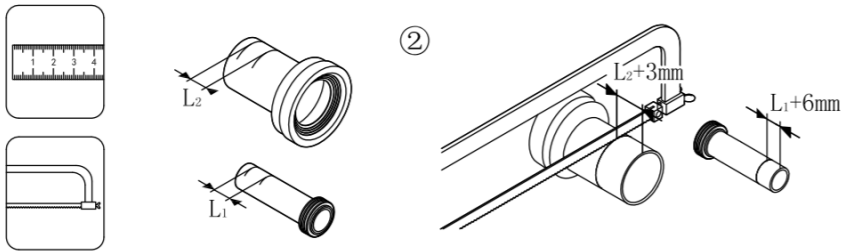
10

Pinnacle - Installation

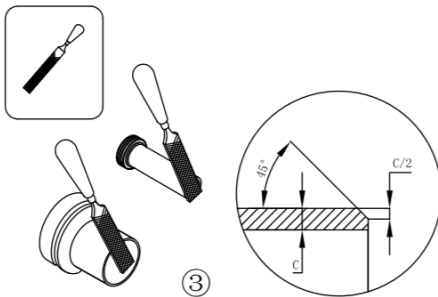
9



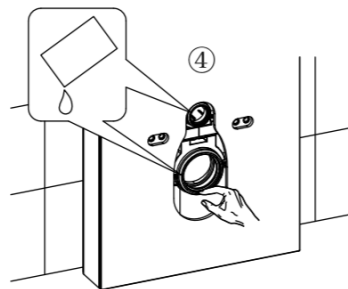
Mark on the straight flush pipe and drainage pipe



Cut the flush pipe and drainage pipe



Use a file to chamfer the edge of the flush pipe and waste pipe

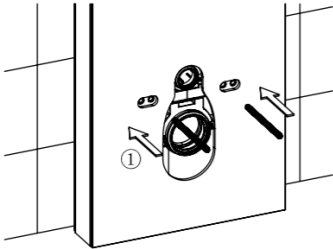
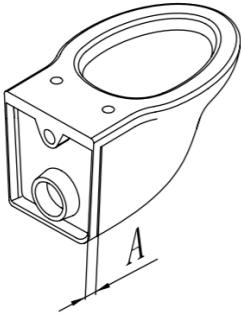


Apply a lubricant

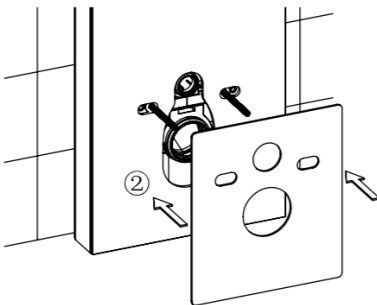
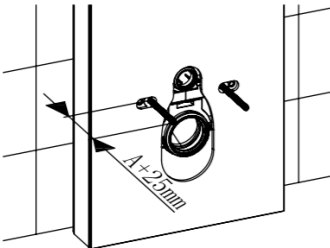
Note : The above illustration is an example only, your version may vary

Pinnacle - Installation

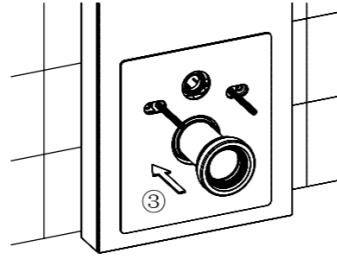
10



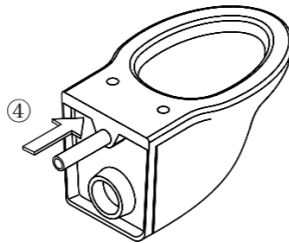
Screw the bolts into the cistern frame



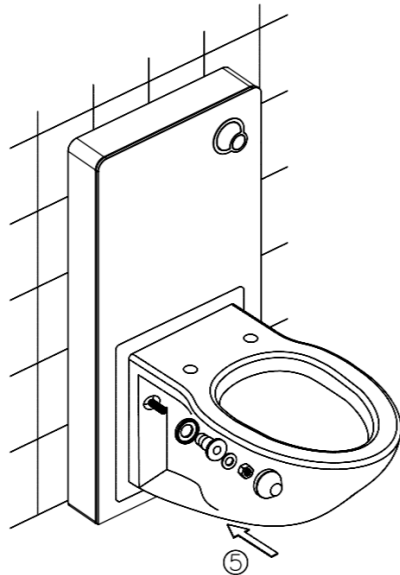
Install toilet damper mat



Install the straight flush pipe into the cistern



Install the flush pipe into the toilet

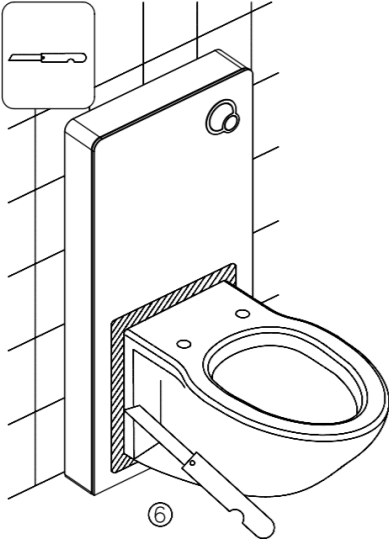


Install toilet

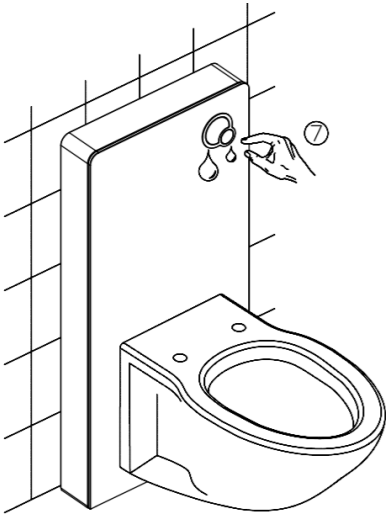
Note : The above illustration is an example only, your version may vary

12

Pinnacle - Installation



Cut off the extra part of the toilet damper mat

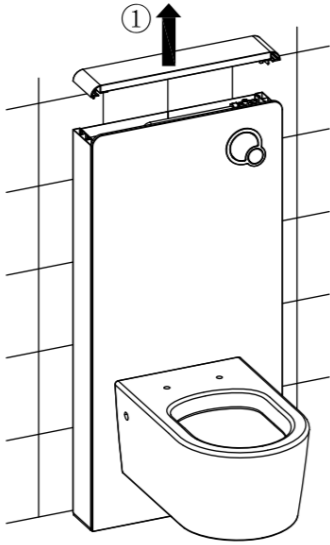


Test half & full flush functions

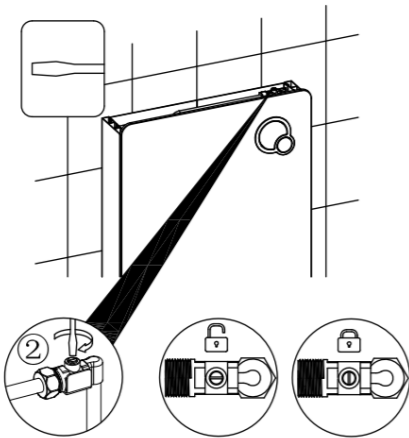
Note : The above illustration is an example only, your version may vary

Pinnacle – Maintenance and Service

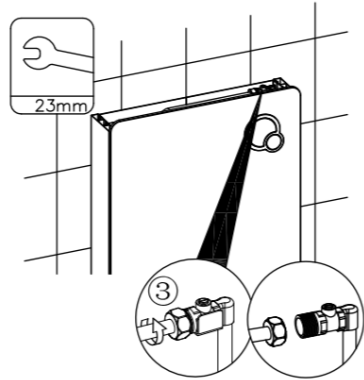
1.1 Inlet valve removal



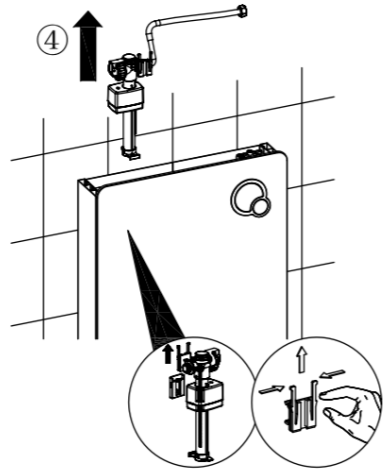
Remove the top cover



Turn off the stop valve on the flexible hose



Separate the hose from the stop valve

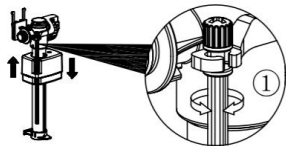


Take out the inlet valve upwards

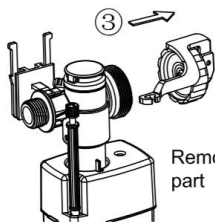
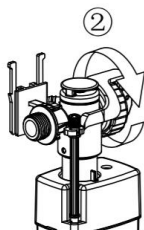
Note : The above illustration is an example only, your version may vary

Pinnacle – Maintenance and Service

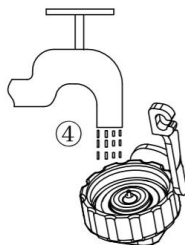
1.2 Inlet valve adjustment & clean



Adjust the float upwards to increase the inlet volume; or downwards to reduce the volume.

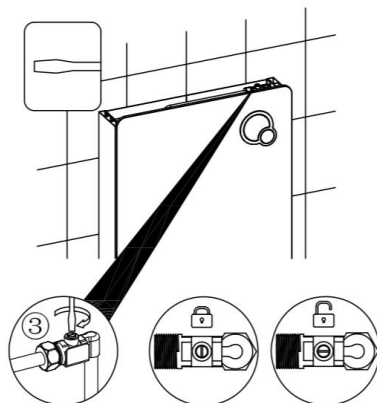
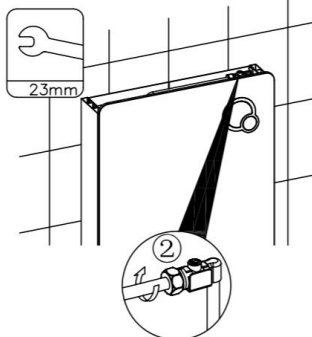
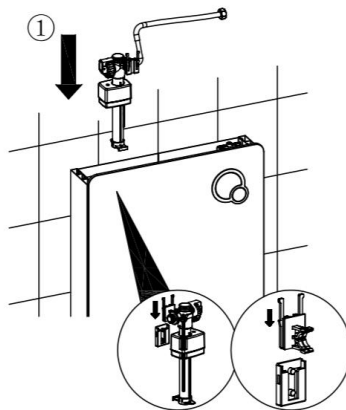


Remove the water-stopping part



Wash this removed part

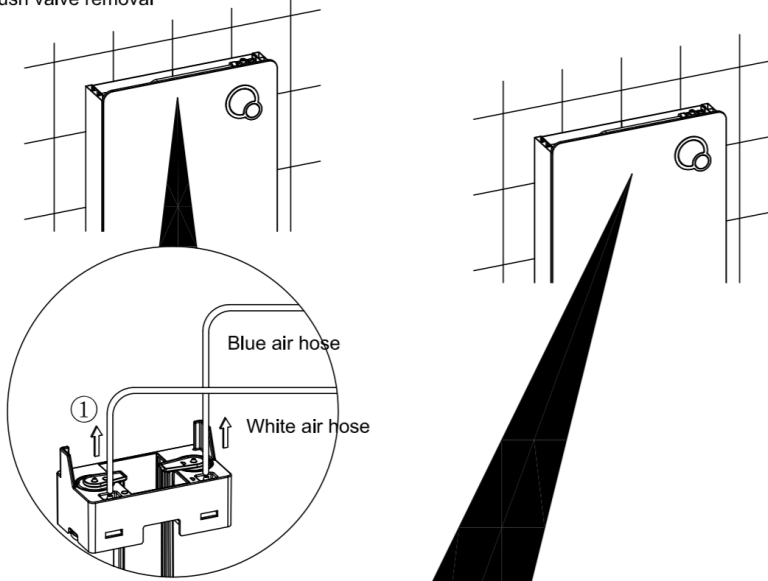
1.3 Inlet valve installation



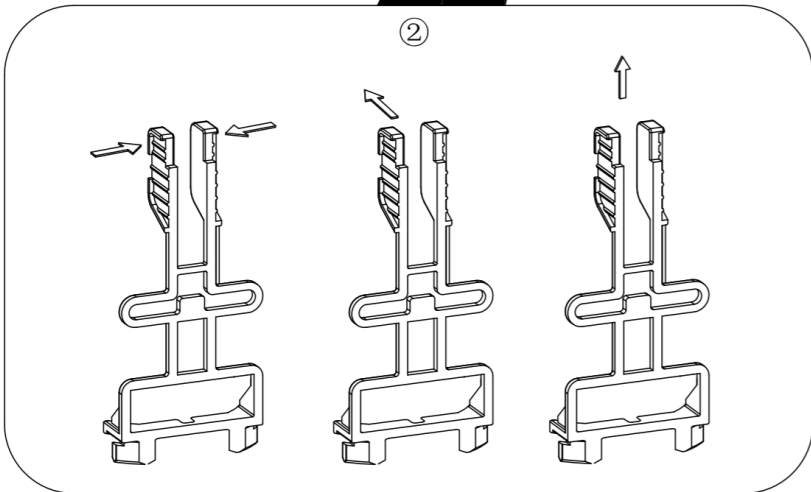
Note : The above illustration is an example only, your version may vary

Pinnacle – Maintenance and Service

2.1 Flush valve removal



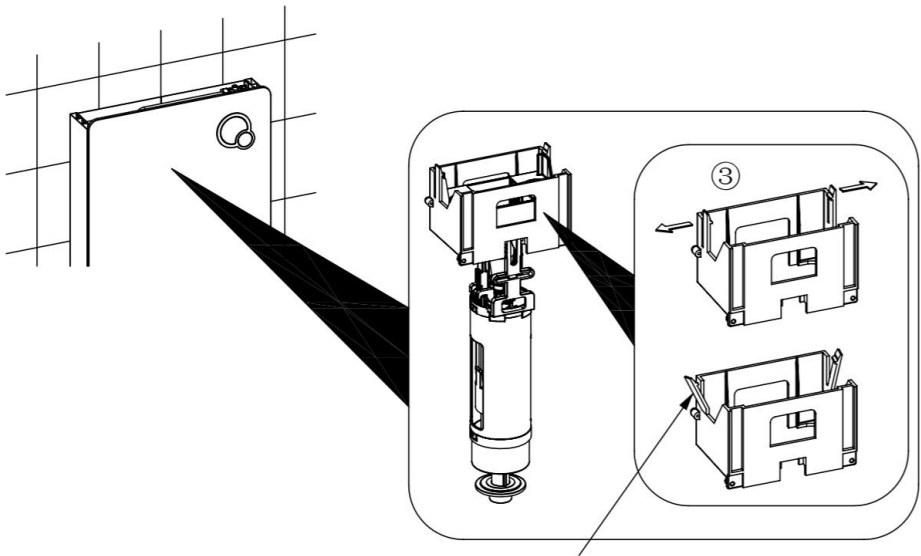
Remove the air hoses from the air hose holes.



Remove the lever

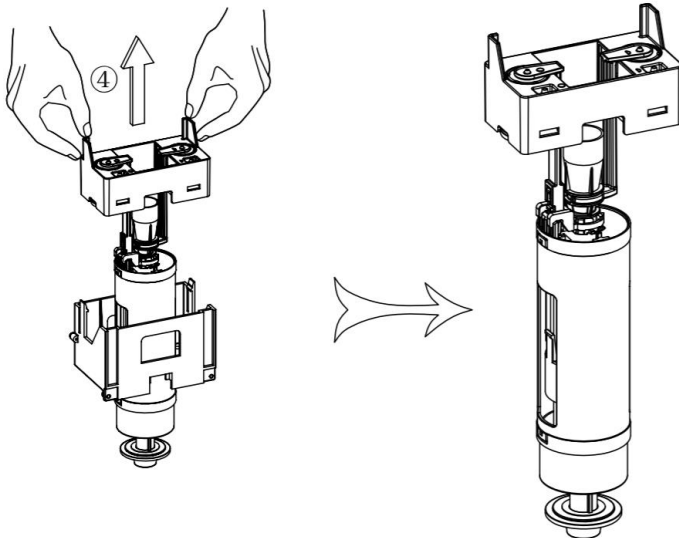
Note : The above illustration is an example only, your version may vary

Pinnacle – Maintenance and Service



Clips on the cistern hanging plate

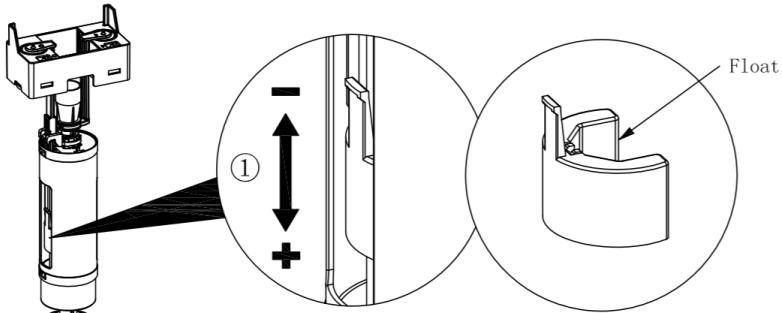
Open the clips on the cistern hanging plate & lift the flush valve



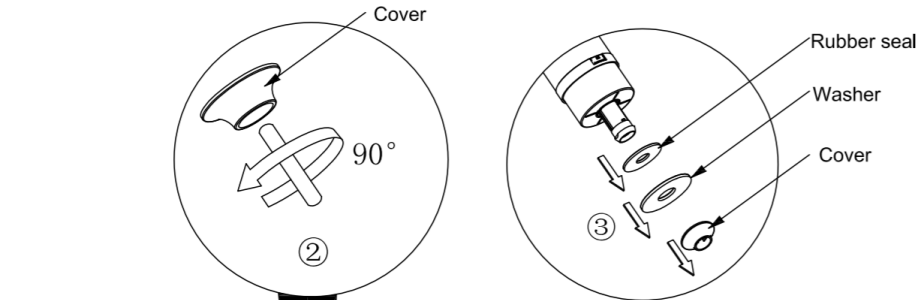
Note : The above illustration is an example only, your version may vary

Pinnacle – Flush Adjustment/Cleaning

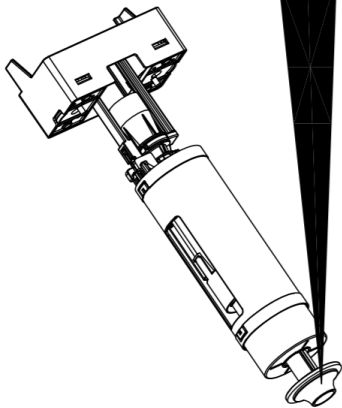
2.2 Flush valve adjustment & clean



Adjust the float upwards to reduce the flush volume;
or downwards to increase the volume.



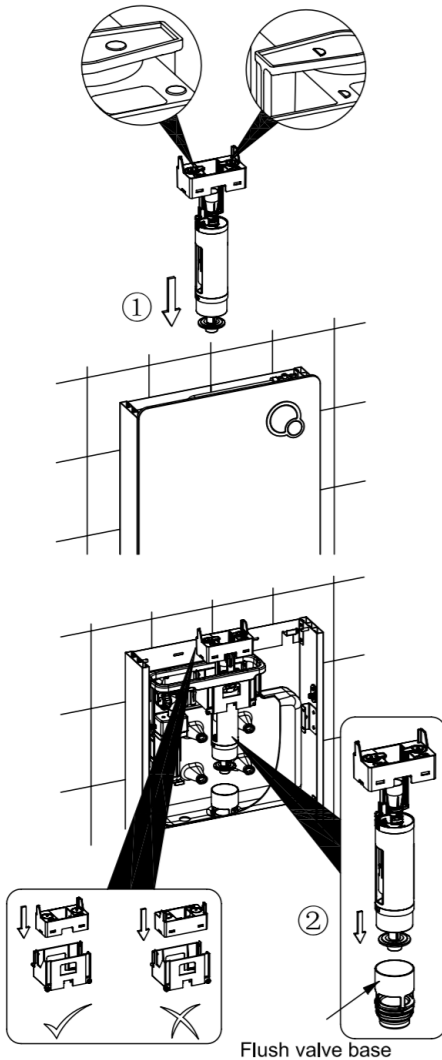
Remove the cover, washer and rubber seal by
rotating the cover counter clockwise through
90°



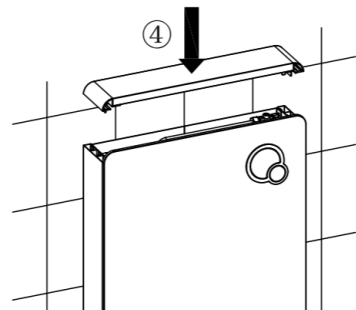
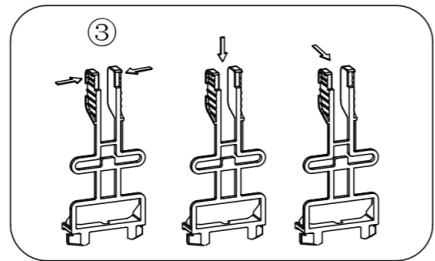
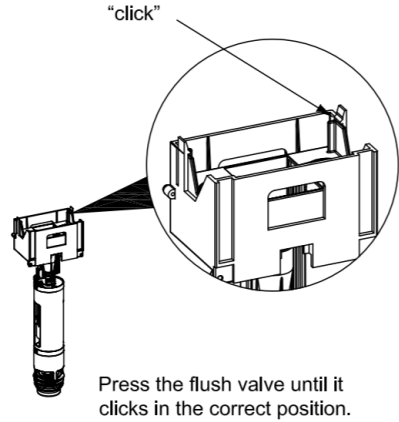
Note : The above illustration is an example only, your version may vary

Pinnacle – Flush Adjustment/Cleaning

2.3 Flush valve installation



Install the flush valve downwards into the cistern body (Remark: make sure the flush valve bottom is aligned with flush valve base. And please make sure flush valve is installed in the shown direction during installation).



Note : The above illustration is an example only, your version may vary

Technical Specifications

Product Specification	
Pneumatic Cabinet Cistern for Wall Hung Washloo Bidets and WC	
Pinnacle	Wall Hung
Ambient Temperature	3-40°C
Water Supply Pressure	0.07-0.75MPA (0.7-7.5bar)
Water Supply Temperature	4-35°C
Dimensions	1003.5mm x 483mm x 108mm
Colour	White or Black Glass
Certificate	UKCA RoHS SAA WRAS KIWA (Pending)

Warranty

This Pinnacle Cistern has been designed and manufactured with great care and attention to detail. We offer a 24 month warranty.

In the following cases the warranty does not apply;

1. Damage or loss sustained in fire, earth quake, flood, thunder or other acts of providence, pollution, gas damage, salt damage and abnormal voltage.
2. Damage or loss resulting from installation methods not in the manual, any unreasonable use, abuse, negligence or improper maintenance.
3. Damage or loss resulting from modification, disassembly and destruction of the product.
4. Damage or loss resulting from hard water, water stain retention, sediments or foreign objects contained in the water system.
5. Damage or loss resulting from relocation after instalment, improper installation or in a hazardous environment.
6. Damage or loss resulting from defect caused by miss-fitting or wrongly shaped attachment.
7. Damage or loss resulting from bites by animals or insects or residual of dead animals or insects.
8. Damage or loss resulting from product freezing.
9. Damage or loss resulting from use of the product if mounted on moving vehicles such as cars, ships and caravans.
10. Damage or loss resulting from deterioration of battery etc.
11. Damage or loss resulting from lack of user's maintenance points (i.e. cleaning, filter, washer, packing etc.).
12. Damage or loss resulting from physical or accidental damage;
This includes cracks, stress marks and breakages from over extension or force of the lid cover and seat.

Important User Manual Information

If you want to dispose of this product, do not mix with general household waste. There is a separate collection system for used electronic products in accordance with legislation that requires proper treatment, recovery and recycling.

Only discard discharged batteries. They should not be disposed of in household waste, use appropriate collection sites.

Memo



Intelligently Clean, and that's the Bottom Line!

Modern Life, Smart Choice

Shades and dimensions subject to the usual tolerance.

We reserve the right to make technical modifications to the range and alter colors.