



Intelligently Clean, and that's the Bottom Line!

Washloo Levitate Monolith Installation

Clean Comfort Hygiene



Intelligently Clean, and that's the Bottom Line!

Table of Contents

Page Description	Page Number
Safety Precautions	2
Bill of Materials	6
Technical Drawings/Dimensions	4
Levitate Installation	7
Levitate Smart Toilet Adaption counterparts	15
Standard Wall Hung Toilet Installation	17
Flush Valve Assembly	18
Technical Specifications	19
Warranty	20
User Information	21

Safety Precautions

Read all instructions before use.

Save these instructions for future reference.



Warning

May result in death or injury



Caution

May result in death or injury



Warning

1. Do not use a damaged power plug or loose electrical outlet
2. Make sure to use a dedicated electrical outlet. Failing to do so may result in electric shock or fire.
3. Do not move the product by pulling the power plug.
4. Do not handle the power plug with wet hands
5. Do not forcefully bend the power cord or place heavy objects on it to prevent it from being damaged or deformed.
6. Do not connect and pull the power plug repeatedly.
7. Unplug the product before cleaning, repairing, inspecting or replacing parts.
8. Remove any dust or water from the plug.
9. Do not plug the appliance into an electrical outlet or power strip that is being used by too many appliances. Use an electrical outlet adequate for the voltage requirement of the product.
10. If the power cord is damaged, do not attempt to repair, modify or replace the cord, please contact our service centre.
11. If the product produces a strange noise, a burnt smell or emits smoke, unplug and disconnect from the electrical outlet immediately. Failing to do so may result in electric shock or fire.
12. Do not insert a wire or sharp object in any of the product gaps, or the warm air outlet. This may result in electric shock or product damage.

Safety Precautions

13. Do not place an electric heater near the product or dispose of any burning materials such as cigarettes in the toilet. This may result in fire or product deformation.
14. Do not place any containers filled with water, medicines, food, metallic objects or flammable materials on top of the product. If foreign objects enter the product, this may result in electric shock or fire.
15. Do not use the product in locations exposed to excessive moisture and do not splash water onto the product.
16. Do not use the product if it is not working correctly – Please unplug the product immediately, close off the main water supply and call our service centre. Failing to do so may result in electric shock or fire.
17. While taking a shower or cleaning the bathroom, remove the power plug from the electrical outlet and exercise caution that water or detergent does not splash onto the bidet. Failing to do so may result in electric shock or fire.
18. Do not disassemble, repair or modify the product yourself.
19. Do not use the product whilst bathing
20. Do not place or store the product where it can fall or be pulled into a bath or sink.
21. Do not place in or drop the product into water or any other liquid.
22. Do not reach for the product if it has fallen into water or liquid, disconnect from the power outlet immediately.
23. Do not operate or store the product in locations where flammable or combustible materials are used.
24. Do not use industrial water or 'grey' water for the supply as this may cause skin damage or disease.
25. Do not block the warm air outlet with your hand.
26. Turn off the water supply valve when cleaning the filter.

Safety Precautions

27. For children and seniors who have difficulties with adjusting temperature, those with sensitive skin or impaired heat sensitivity, set the temperature of the wash spray, air dryer and seat to "low" or "off" to prevent burning.

28. Close supervision is necessary when this product is used by children or persons requiring general assistance.

29. Do not press the buttons using excessive force.

30. Do not stand or place heavy objects on the seat cover.

31. Use this product for its intended purpose only. As described in this manual. Do not use any attachments that are not recommended by us.

32. Never operate this product if it has a damaged cord or plug, if it is not working properly, if it has been dropped or damaged, or dropped in water. Return the product to our service centre for examination.

33. Keep the cord away from heated surfaces.

34. Never block the air openings of the product or place it on a soft surface such as a bed or couch, where the openings may get blocked. Keep the air openings free of lint, hair etc.

35. Never use the product while sleeping or when drowsy.

36. Never drop or insert any objects into any openings or hoses.

37. Do not use the product outdoors or operate where aerosol (spray) products are being used or where it could be exposed to pure oxygen.

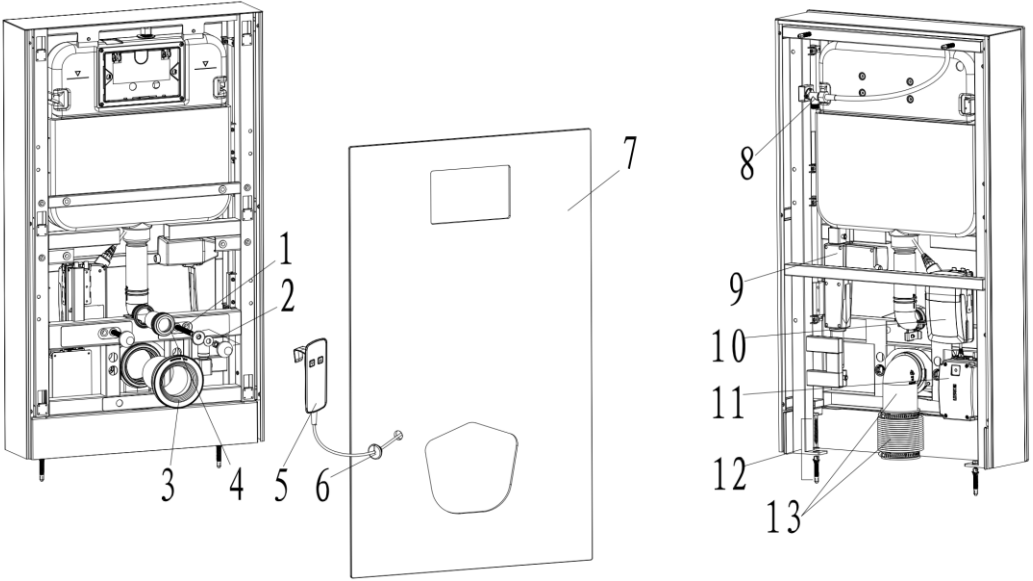
38. This product should be earthed in the event of an electrical short circuit earth reduces the risk of an electrical shock by providing an escape route (wire) for the electrical current. This product is equipped with a cord incorporating an earth wire and an earthed plug. The plug must be inserted into a power outlet that has been correctly installed.

39. Unplug this product before filling (fill reservoir) with water only unless otherwise specified by the manufacturer. Do not overfill.

Safety Precautions

40. Do not connect the mains water to the hot water pipe (only connect to cold water supply)
41. After the installation, make sure to check all water supply connections for leaks. Rubber washers should be in place for the water connection hoses and T valves.
42. Do not open/close the seat cover using excessive force.
43. Exercise caution that urine does not come into contact with the nozzles or warm air dryer outlet, failure to do so may result in bad odours or malfunction.
44. If the product will not be used for a long period of time, unplug the power cord, close the main water supply valve and drain any water in the water tank.
45. Do not pull out the bidet hose or connection hose using excessive force.
46. Do not use thinners, benzene, acidic chemicals, chloride or hydrochloric acid detergents. This may result in corrosion to the metallic components and potential discolouration or scratches to the bidet body.
47. This appliance is not intended for use by persons (including children) with reduced physical, sensory or mental capabilities, or lack of experience and knowledge unless they have been given supervision or introductions concerning the use of the appliance by a person responsible for their safety. Children should also be supervised to ensure that they do not play with the appliance.

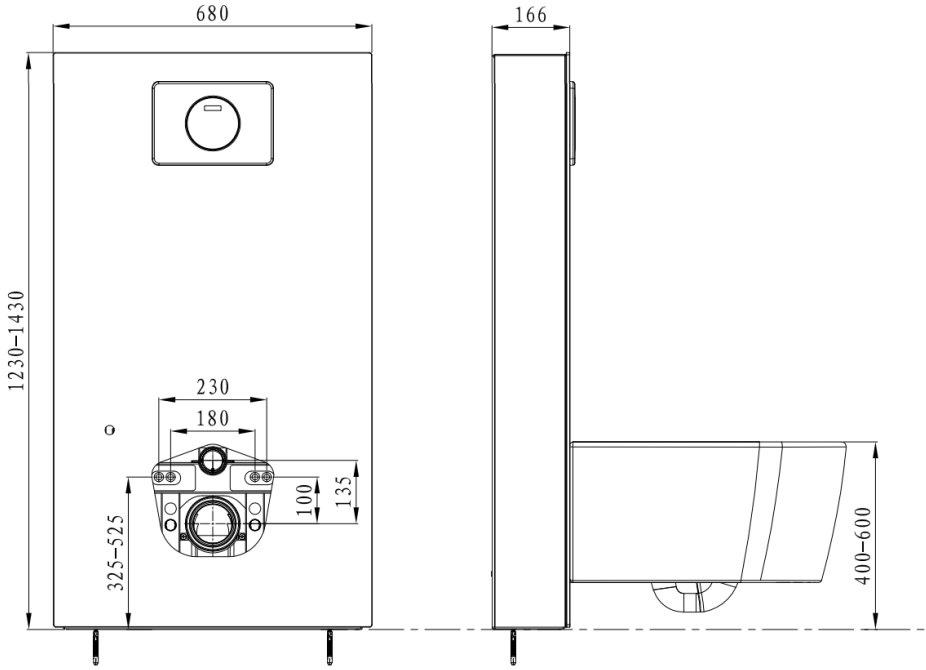
Levitate - Bill of Materials



NO.	Description	Qty	Function
1	Connecting Bolt	2	To mount ceramic bowl
2	Bowl installation accessories	2	To mount ceramic bowl
3	Connecting pipe	1	To connect water tank and bowl
4	Flush pipe	1	
5	Hand control	1	To control lifting
6	Rubber plug	1	To protect hand control connecting cable
7	Cover plate	1	Front decorative plate
8	Adaptor	1	To connect water tank and water supply hose
9	Lifter motor	1	To provide motivation for lifter
10	Control Box	1	To control lifting
11	Battery Box	1	To power the lifter during power failure (optional)
12	Expansion screw	1	To fix frame and corner bracket
13	Discharge elbow	4	To discharge waste from the bowl

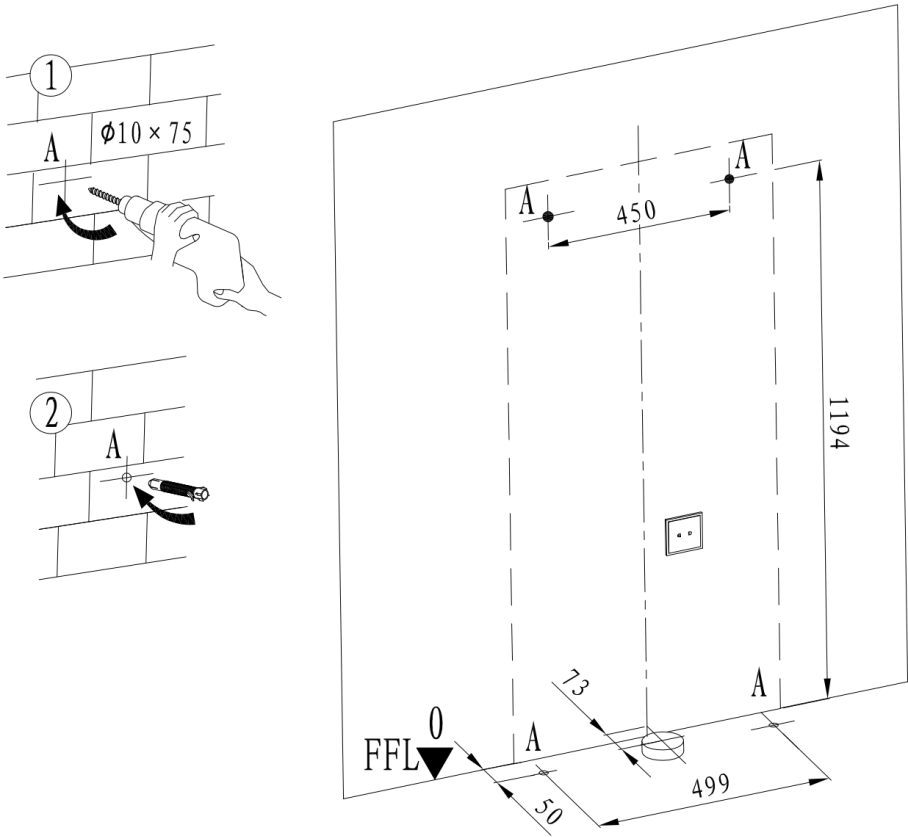
Note : The above illustration is an example only, your version may vary

Levitate – Technical Drawings/Dimensions



Note : The above illustration is an example only, your version may vary

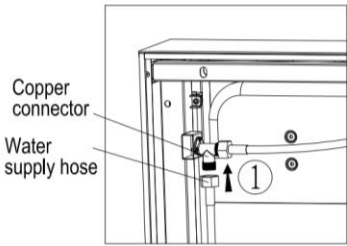
Levitate - Installation



2. Drill 4 x 10mm holes in the positions marked A.
3. Install 4 x Raw Plugs / Expansion Plugs ready for the installation bolts.

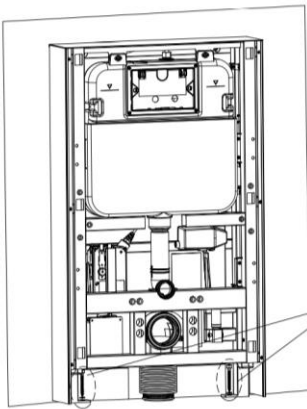
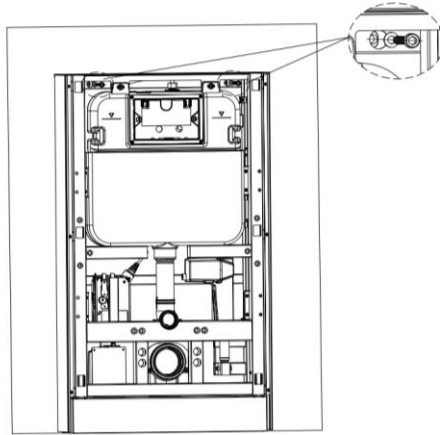
Note : The above illustration is an example only, your version may vary

Levitare - Installation



Copper connector
Water supply hose

Connect water supply hose to copper connector.

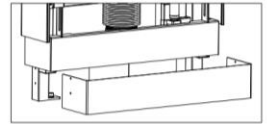


Raise the height and lock two screws at the bottom.

Note: Remove crossbar first (see instructions below) when installing bottom screws.



Screw



Loosen screws on both sides (2pcs screws on each side) and remove the crossbar.

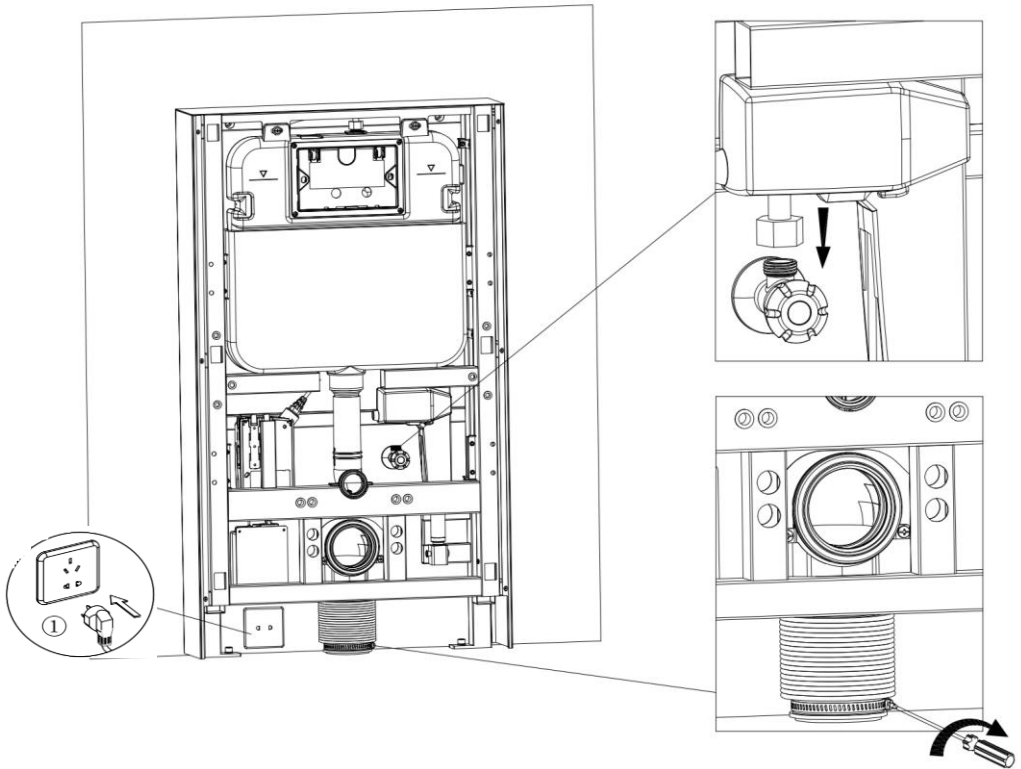
4. Connect the Water supply hose to the Copper Connection

5. Install the 2 x upper securing bolts in the positions shown

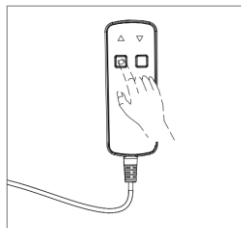
6. Raise the unit upwards (using an extension lead) to allow access to the lower 2x Securing bolts. (removing the crossbar cover to gain access).

Note : The above illustration is an example only, your version may vary

Levitate - Installation



7. Connect power supply in the designated position (using a 3 pin plug or designated fused spur – 13AMP Supply).
8. Attach the Concertina waste as shown and final connection to the water supply using the flexible braided hose.
9. Check the operation on the Control (using the upwards and downwards buttons).



Note : The above illustration is an example only, your version may vary

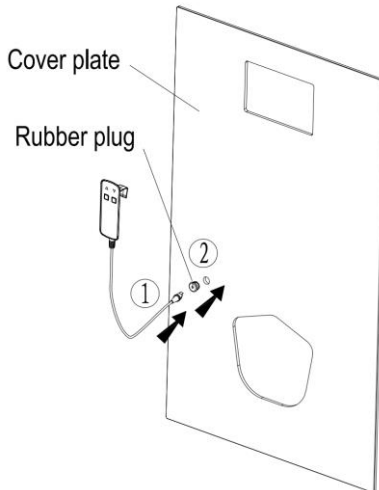
Levitate - Installation



Location of the Lifting Control Module

View from bottom

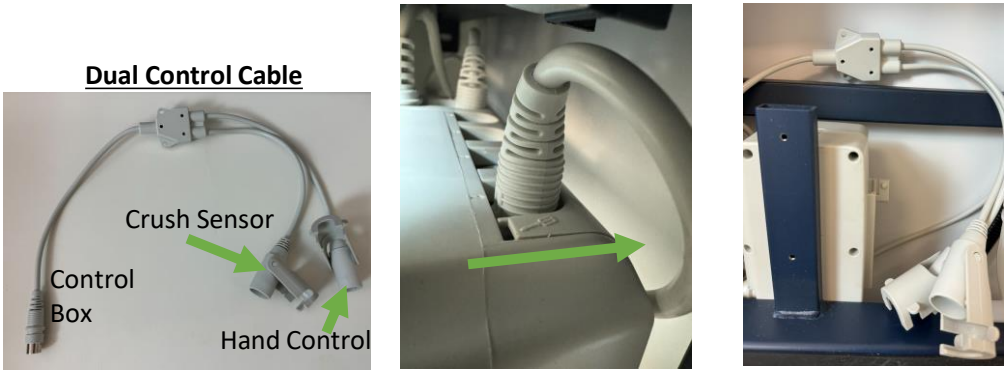
10. Disconnect the Hand Control using the diagrams above – accessing the main control unit. Disconnect the plug (Threaded through the front glass facia prior to final installation).



11. Thread the Hand Control Cable through the hole in the glass facia as shown above installing the rubber grommet also.

Note : The above illustration is an example only, your version may vary

Levitate - Installation



12. Reconnect the Hand Control and the crush sensor cable into the dual control cable. Please Note; Either of the plugs can be used for the operation of the lifting and crush sensor controls. The control box will release the cable by sliding the 'locking collar' outwards to allow the dual control cable to be installed.

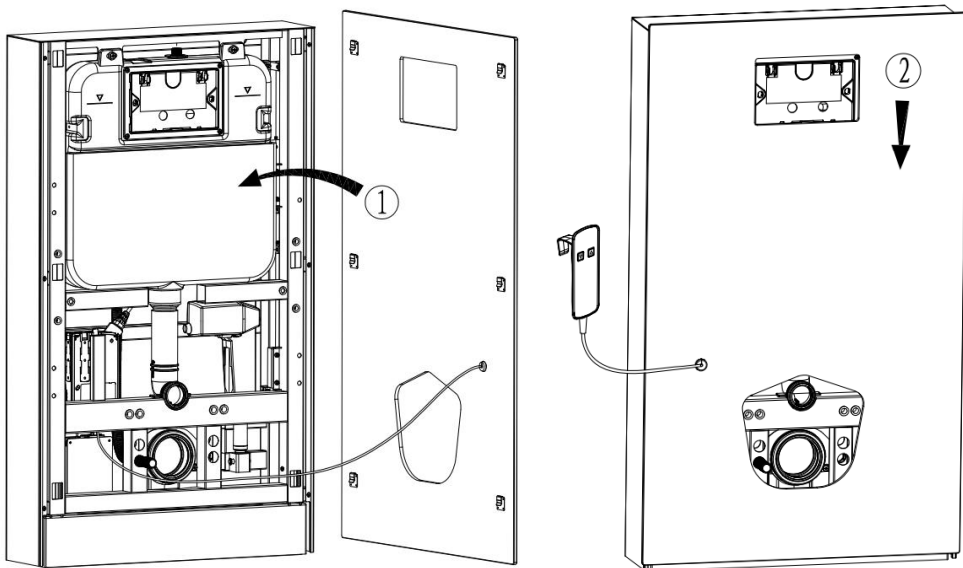
The Dual Control cable will need to be installed to enable the crush sensor to be operational.



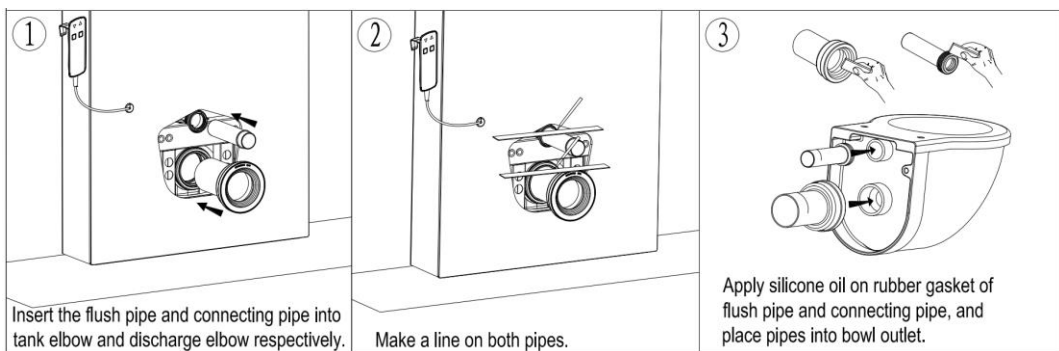
13. Install the 'Crush Sensor' to the underside of the Levitate Smart Toilet, using the double sided tape provided. Thread the cable through the opening in the Glass Facia and connect to the dual control cable.

NOTE; Ensure the surface is completely clean and free from any contaminants before attempting to install.

Levitate - Installation



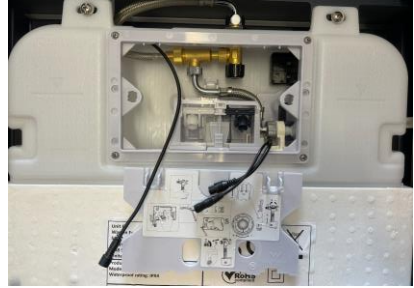
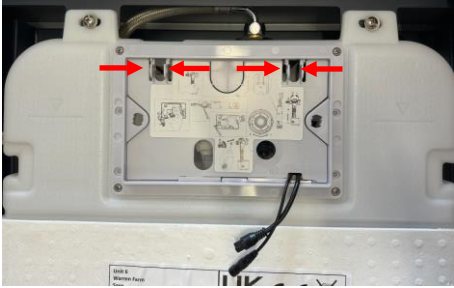
14. Locate the front Glass Facia plate into its locating mounts, then slide the Glass downwards to secure into position. The locating mounts will allow the glass to slide tightly up to the frame and structure.



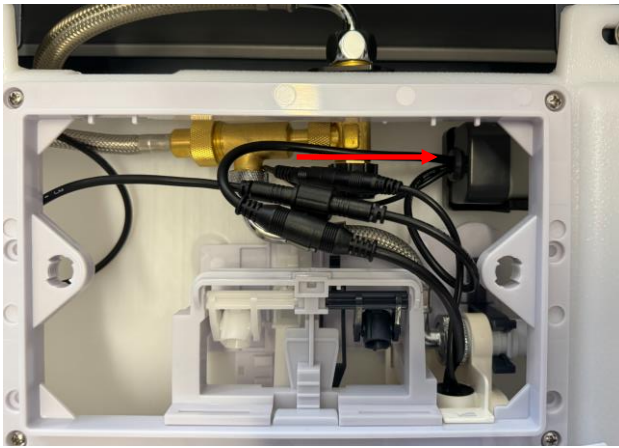
Note : The above illustration is an example only, your version may vary

Levitate - Installation

Note : This is for automatic flush operation of the Levitate Smart Toilet



15. Remove the cover plate for the flush valve assembly. 'Pinch' the two securing tabs as shown together to allow the top edge to pull outwards and releasing it from the locating tabs.



16. Insert the Auto Flush Control box in the locating mount inside the cistern. Connect the 3 x wires into the corresponding counterparts (each wire will only fit into its matching female/male counterparts). Neatly store the wiring ensuring it will not be submerged in water at any time.
Reinstall the Cover Plate for the flush valve assembly.

Note : The above illustration is an example only, your version may vary

Levitate - Installation

Note : This is for automatic flush operation of the Levitate Smart Toilet



17. The Water supply and the Automatic Flush cable are run together from the Cistern. The water supply and the Automatic Flush Control plug are connected to the Levitate Smart toilet when final installation of the toilet occurs.



18. The Power Supply for the Levitate Cistern and Levitate Smart Toilet use a Dual connector as shown. The power is shared between both appliances. The Levitate Smart Toilet power cable is passed through the designated hole as shown above (right hand side of the waste pipe). Note; the connector may need to be disassembled to pass the cable through the channel.

Note : The above illustration is an example only, your version may vary

Levitate – Standard WH Toilet Installation

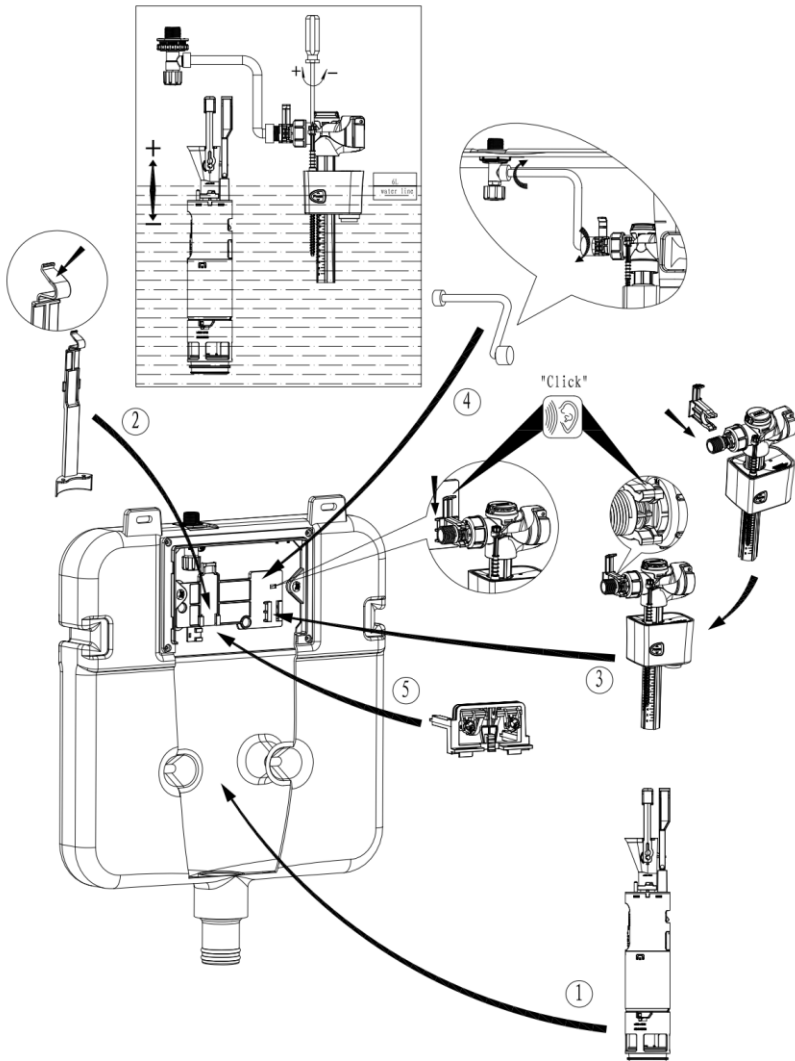


Follow the above instructions for installation of a standard Wall Hung Pan.

NOTE – For Levitate Smart Toilet installation – please follow the Levitate Smart Toilet installation guide supplied.

Note : The above illustration is an example only, your version may vary

Levitate - Installation



Internal flush assembly – this will already come pre assembled inside the Washloo Levitate Cistern.

Note : The above illustration is an example only, your version may vary

Technical Specifications

Product Specification	
Washloo Levitate Cabinet Cistern for Wall Hung Washloo Bidets and WC	
Levitate	Wall Hung
Rated Voltage	AC 220-240V, 50-60Hz
Max Power	200w
Duty Cycle	10% Max. 2 min Operate/Min. 18 min stop.
Adjustable Lifting Range	200mm
Maximum Load	200Kgs
Waterproof Rating	IPX4
Displacement of Water Tank	3L (Half Flush) / 6L (Full Flush)
Ambient Temperature	3-40°C
Water Supply Pressure	0.07-0.75MPA (0.7-7.5bar)
Water Supply Temperature	4-35°C
Dimensions	1003.5mm x 483mm x 108mm
Colour	White Glass
Certificate	UKCA RoHS SAA WRAS KIWA (Pending)

Warranty

This Levitate Cistern has been designed and manufactured with great care and attention to detail. We offer a 24 month warranty.

In the following cases the warranty does not apply;

1. Damage or loss sustained in fire, earth quake, flood, thunder or other acts of providence, pollution, gas damage, salt damage and abnormal voltage.
2. Damage or loss resulting from installation methods not in the manual, any unreasonable use, abuse, negligence or improper maintenance.
3. Damage or loss resulting from modification, disassembly and destruction of the product.
4. Damage or loss resulting from hard water, water stain retention, sediments or foreign objects contained in the water system.
5. Damage or loss resulting from relocation after instalment, improper installation or in a hazardous environment.
6. Damage or loss resulting from defect caused by miss-fitting or wrongly shaped attachment.
7. Damage or loss resulting from bites by animals or insects or residual of dead animals or insects.
8. Damage or loss resulting from product freezing.
9. Damage or loss resulting from use of the product if mounted on moving vehicles such as cars, ships and caravans.
10. Damage or loss resulting from deterioration of battery etc.
11. Damage or loss resulting from lack of user's maintenance points (i.e. cleaning, filter, washer, packing etc.).
12. Damage or loss resulting from physical or accidental damage;
This includes cracks, stress marks and breakages from over extension or force

Important User Manual Information

If you want to dispose of this product, do not mix with general household waste. There is a separate collection system for used electronic products in accordance with legislation that requires proper treatment, recovery and recycling.

Only discard discharged batteries. They should not be disposed of in household waste, use appropriate collection sites.

Memo



Intelligently Clean, and that's the Bottom Line!

Modern Life, Smart Choice

Shades and dimensions subject to the usual tolerance.

We reserve the right to make technical modifications to the range and alter colors.