

4

3

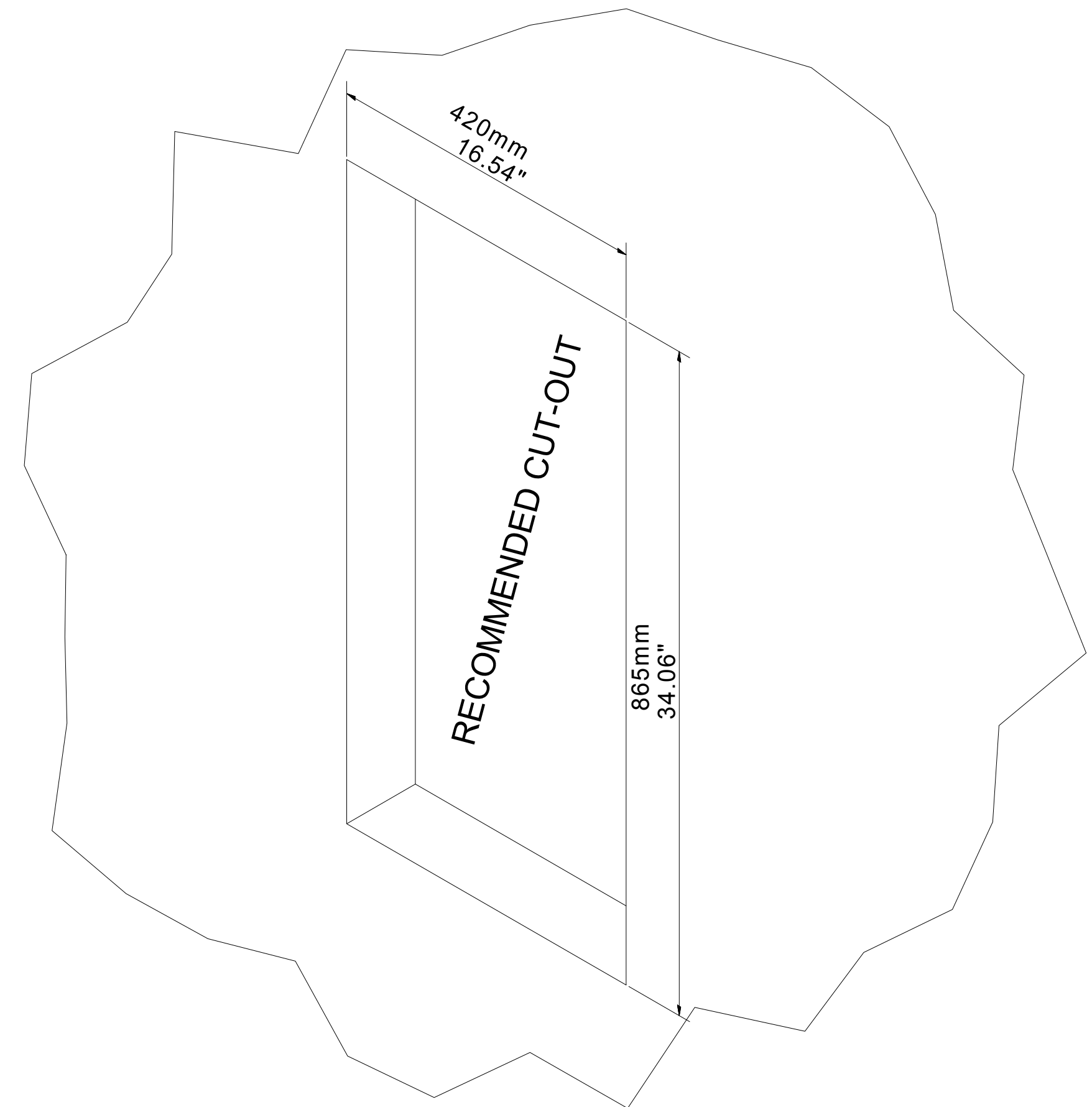
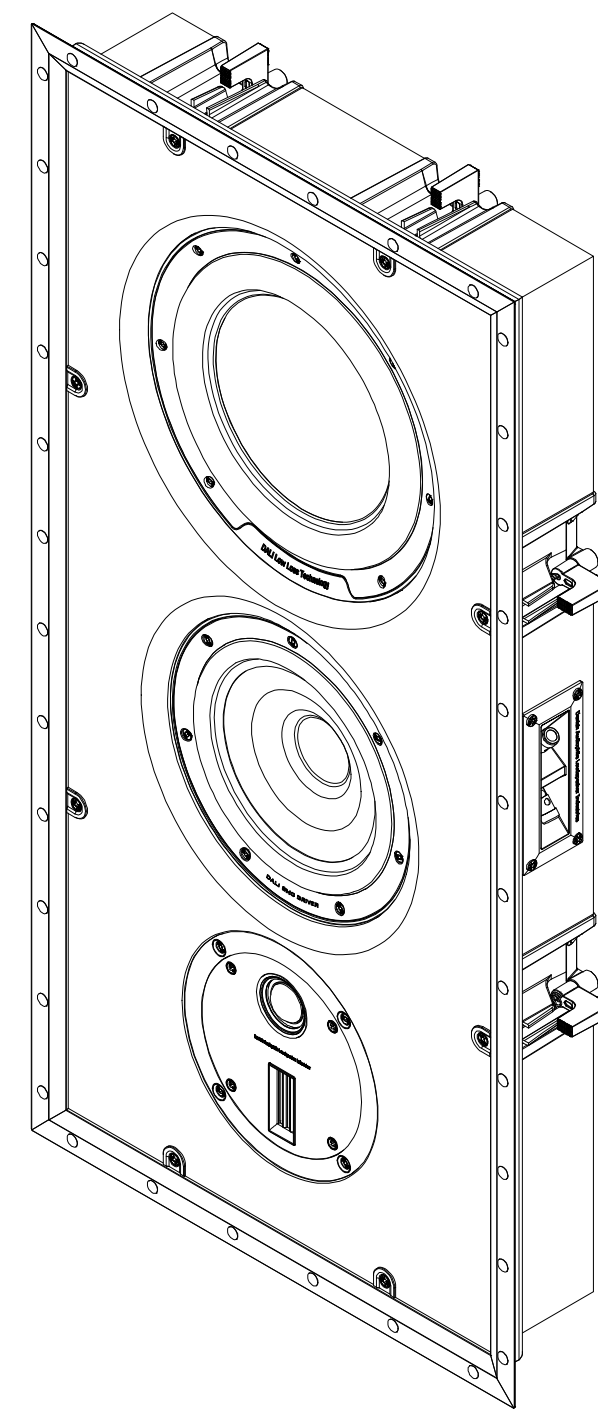
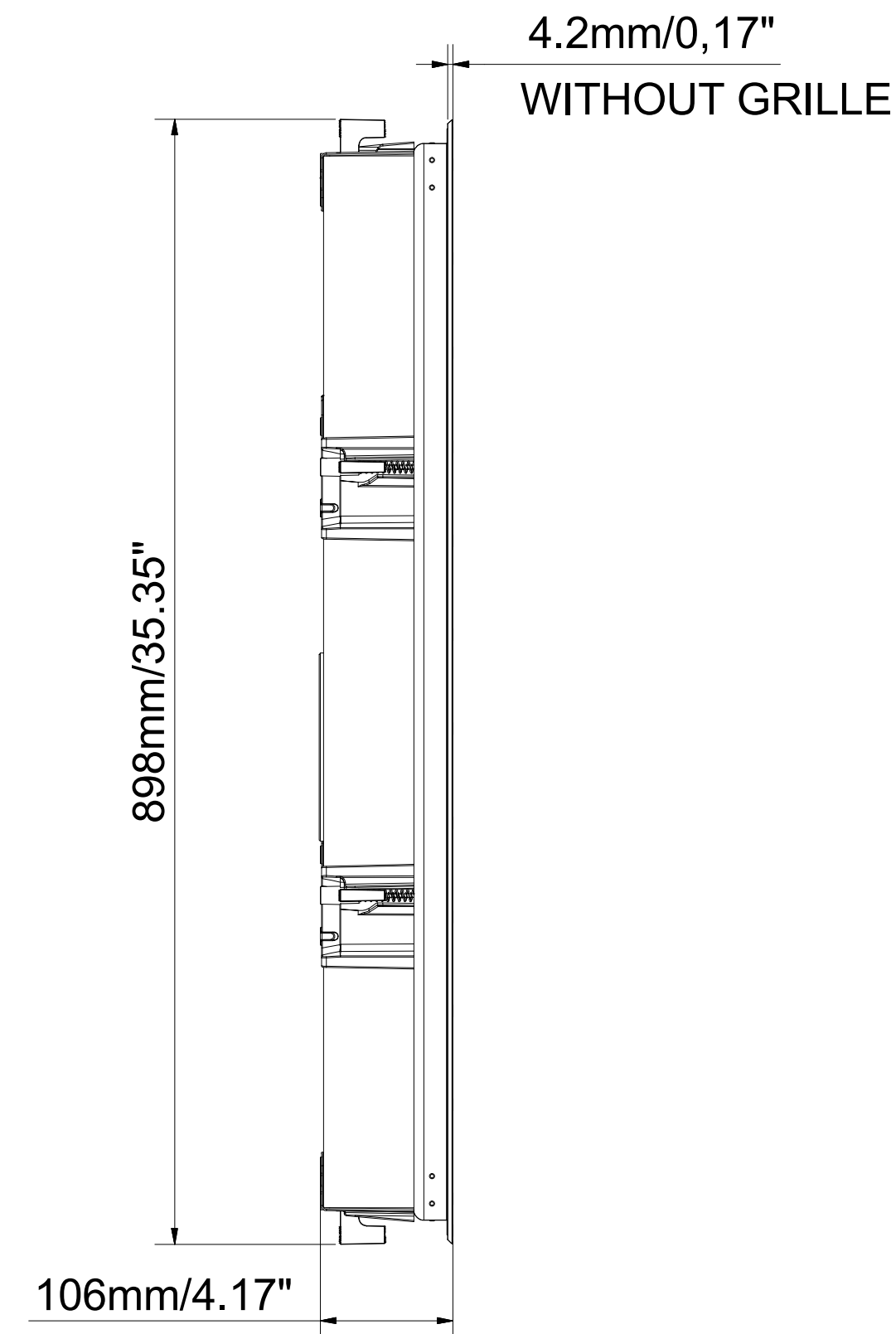
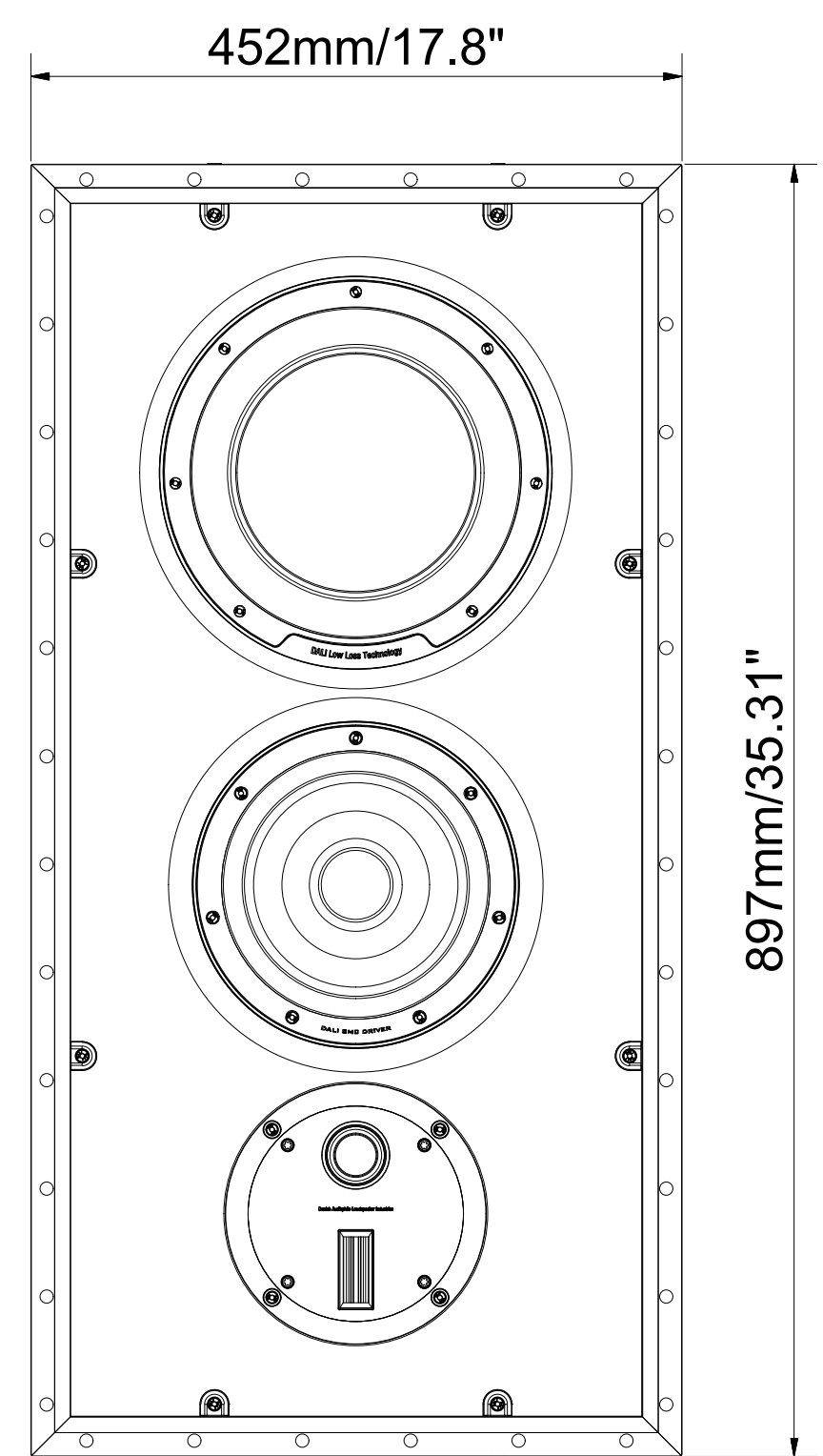
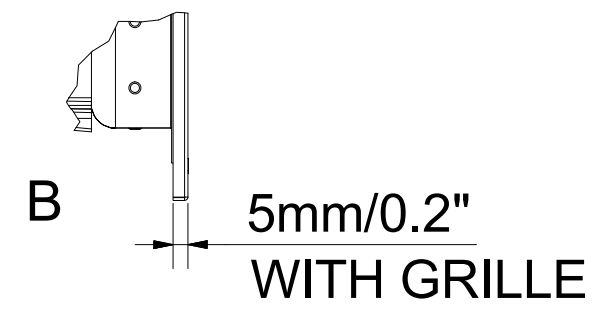
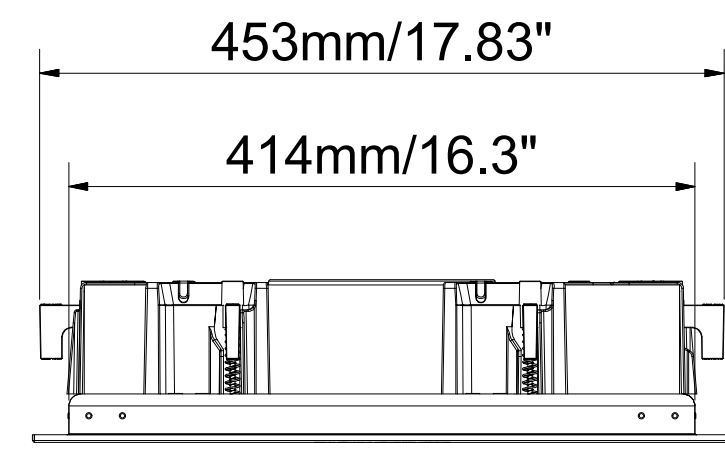
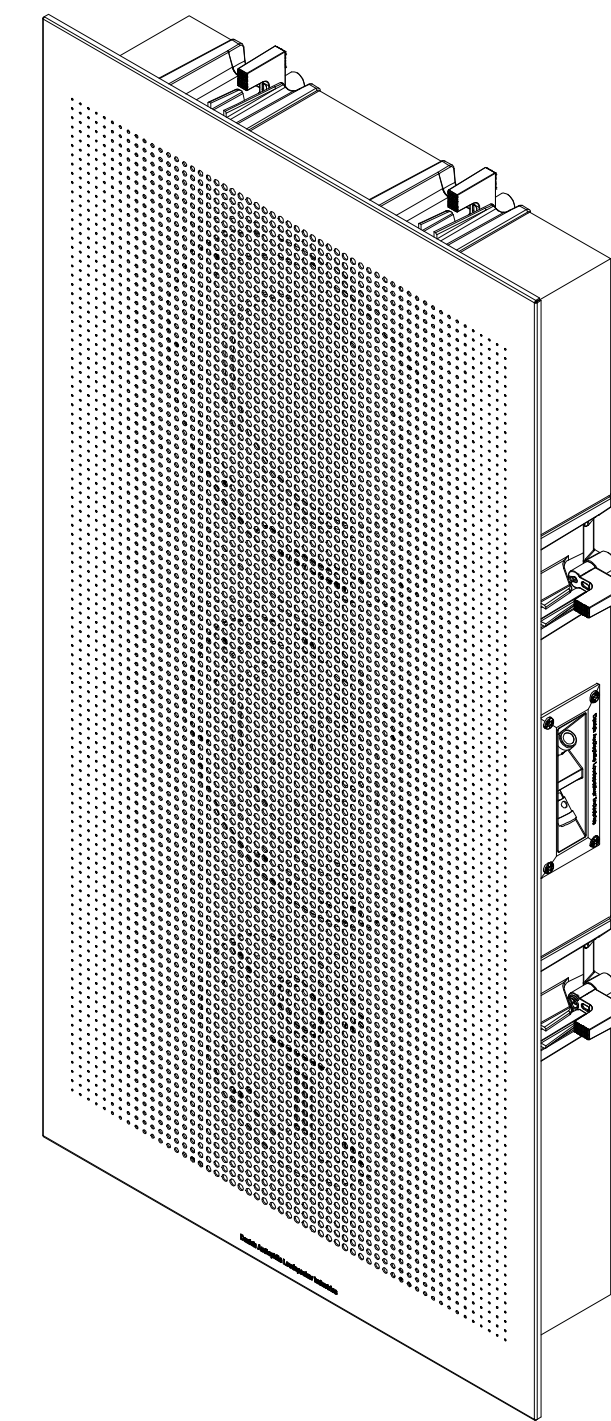
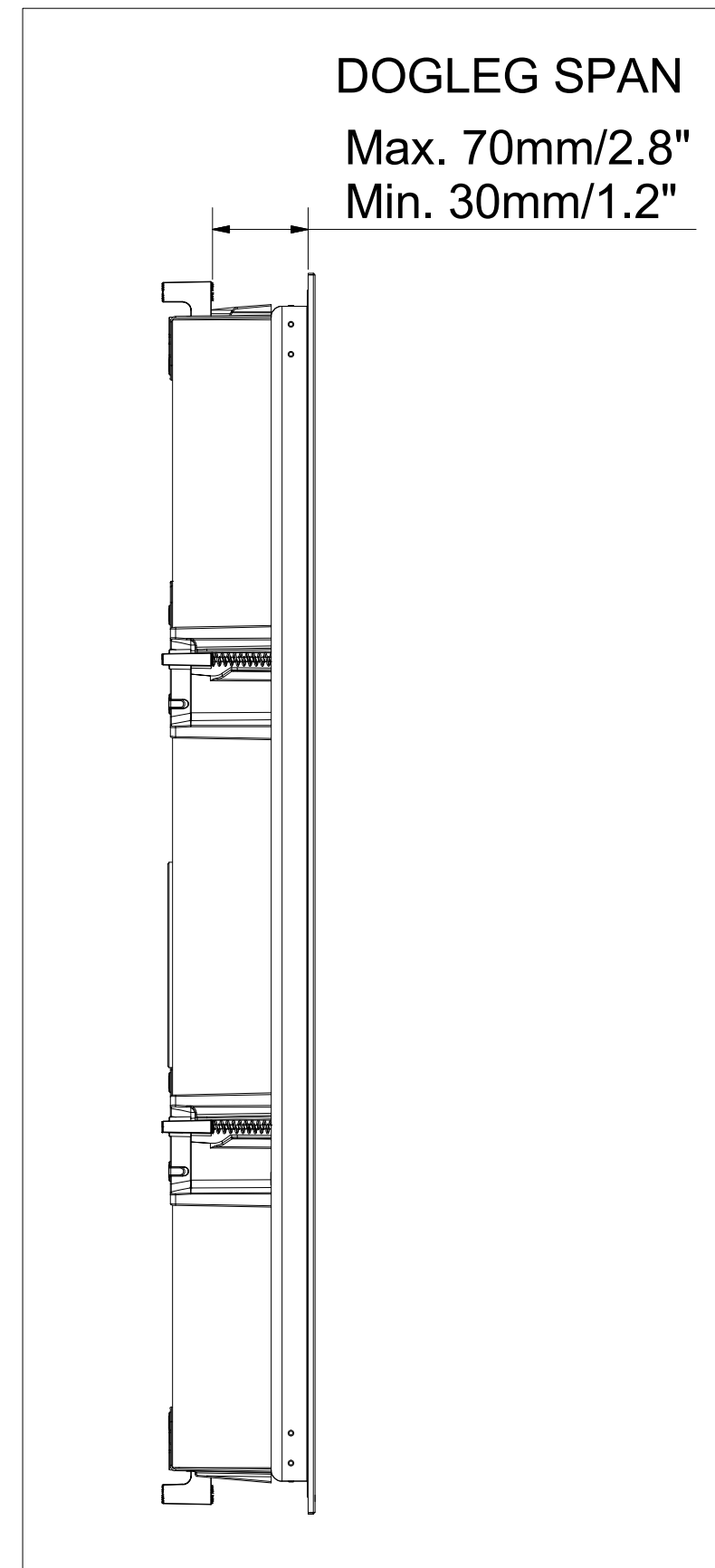
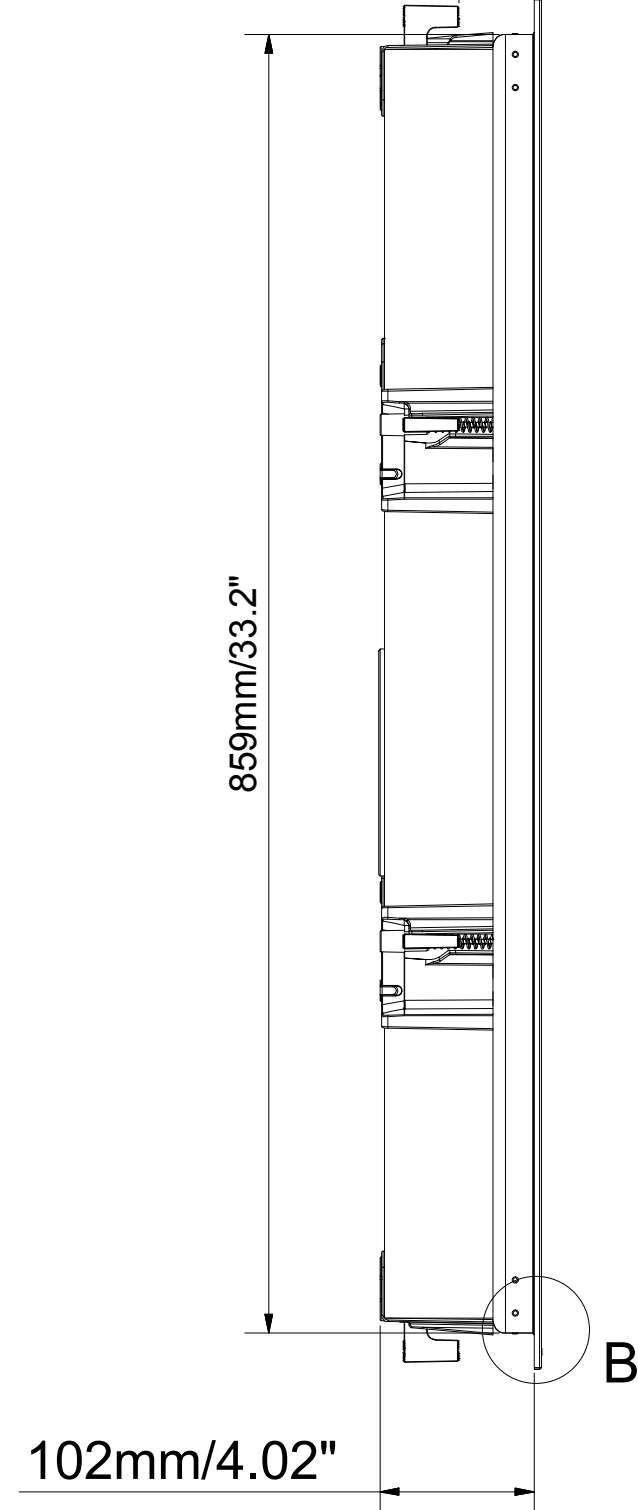
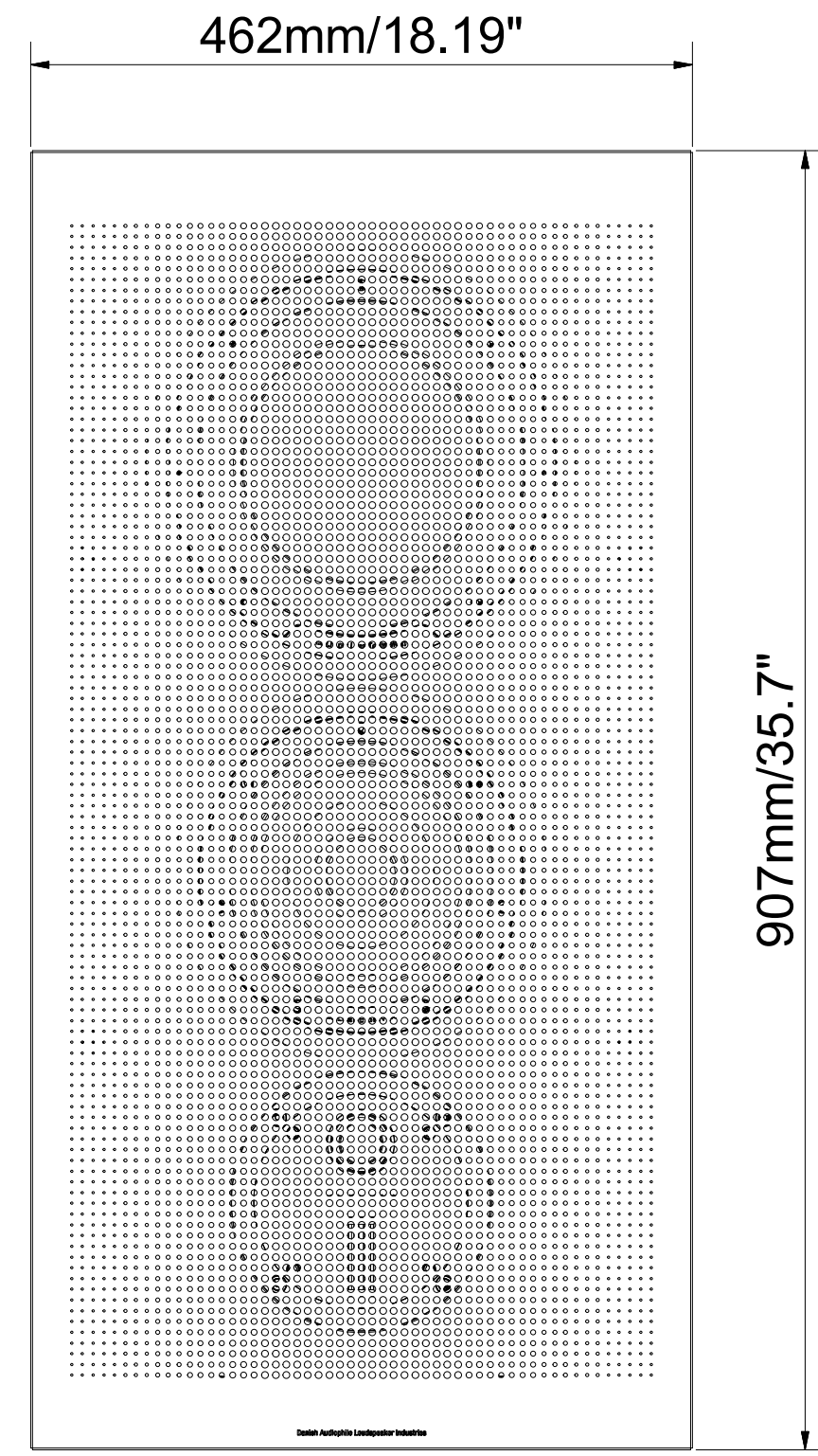
2

1

REVERSED DOGLEG POSITION

DOGLEG SPAN
Max. 50mm/2.0"
Min. 10mm/0.4"

DOGLEG SPAN
Max. 70mm/2.8"
Min. 30mm/1.2"



WEIGHT: 18,5KG

Material:	From mm:	0.5	3	6	30	120	400	1000
Drawn by :	To mm (incl.):	3	6	30	120	400	1000	2000
Created :	Scale:	± 0.05	± 0.05	± 0.1	± 0.15	± 0.2	± 0.3	± 0.5
24-11-2016		± 0.1	± 0.1	± 0.2	± 0.3	± 0.5	± 0.8	± 1.2
		± 0.2	± 0.3	± 0.5	± 0.8	± 1.2	± 2.0	± 3.0
Part no:	Revision:	Sheet:	DALI A/S					
262081 PHANTOM S-180	1/2	Dali A/S						
Drawing no.:	Format:	DK-9610 Næstved, Denmark						
262081 PHANTOM S-180 Outer Dimension	A1	Tel. +45 9672 1155 Fax +45 9655 1940						

4

3

2

1

REV	DATE	ENGINEER	APPROVED	DESCRIPTION	ECO
A	26-04-2017	DRO		RELEASED FOR PRODUCTION	

B

B

A

A

Title:	Revision sheet	Sheet:	2 / 2	 DALI A/S Dali Allé 1 DK-9610 Nørager, Denmark Tel. +45 9672 1155 Fax +45 9855 1940
Drawing no.:	262081 PHANTOM S-180 Outer Dimension	Format:	A4	

4

3

2

1