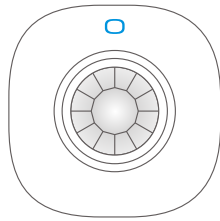


Ceiling-Mounted PIR Motion Detector

PIR-700

Operation Manual



Introduction

The detector works based on detecting human body's infrared spectrum. When human moves within the scope, the detector receives the signal and inputs it into microprocessor after magnification. Microprocessor continues to sample infrared signal and send wireless signal to wireless control panel after calculating. Thus to form a security system. The product can be applied in banks, warehouses and homes etc.

Features

Accurate Detection

360° detection, no dead angle

Automatic temperature compensation and anti-air turbulence technology

False Alarm Prevention

Digital dual-core fuzzy logic infrared control processing technology

Effectively identify interference signals from body movement signals through intelligent analysis

Space-saving

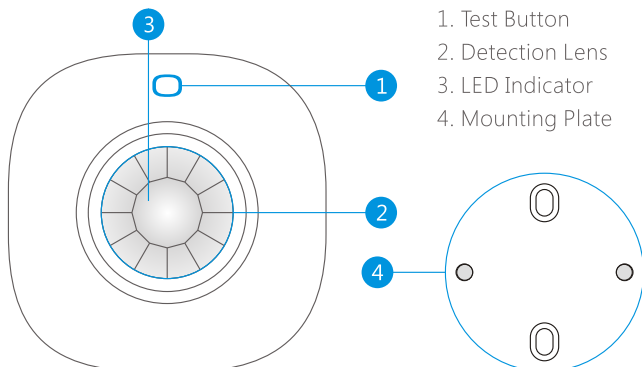
Ceiling-mounted, not much space occupation

Integrated to home decoration, suitable for luxury premises

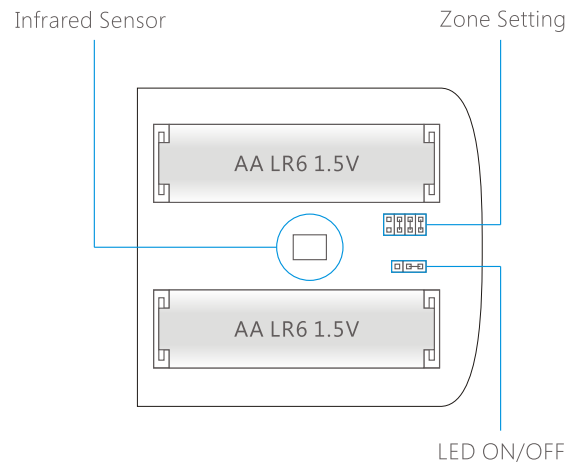
Energy-saving

Featured energy-saving mode enables 1 year standby

Appearance



PCB Layout



Infrared sensor: Detecting human body's infrared spectrum. Don't touch the surface by hand and keep it clean.

LED Indication

The LED indicator can be turned on or off by setting jumpers. See "PCB Layout" above.

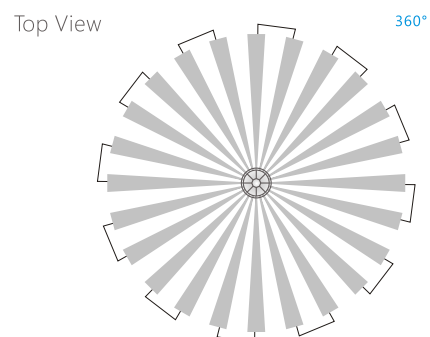
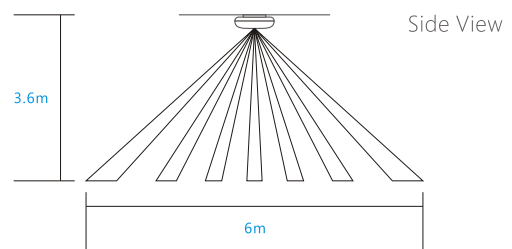
Flash continuously: Under self-testing state

Flash once: Intruder is detected

Flash twice: Self-testing is finished, enters working mode

Flash once every 3 seconds: Undervoltage indication, please change the batteries immediately.

Detection Range



Usage

Remove the battery activation strip to activate batteries. It will enter working mode after one-minute's self-testing.

Mode Setting

Testing mode: Press test button, the sensor enters testing mode and detects once every 10 seconds. After 3 minutes, the LED flashes twice, the sensor enters the working mode.

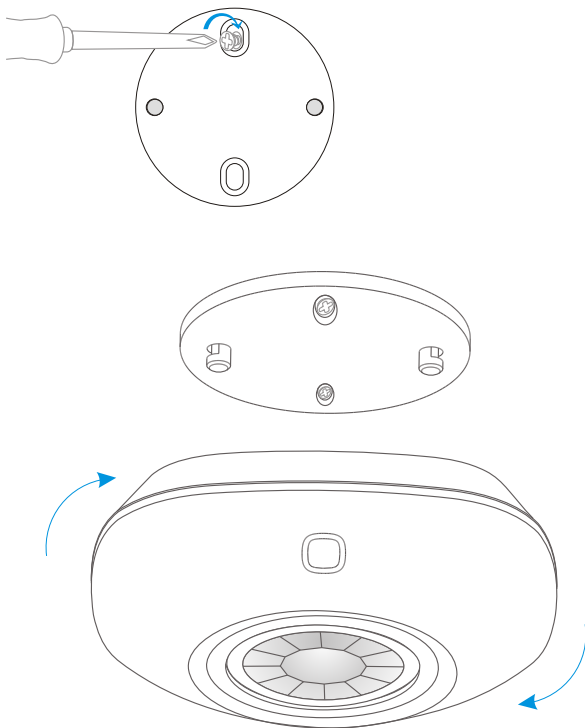
Working mode: In working state, if the sensor is triggered twice within 3 minutes, it will enter sleeping mode to save power. After no movement within next 3 minutes, the sensor goes back to the working mode.

Installation & Notice

Choose a suitable position and fix the mounting plate on the ceiling with screws. Fasten the detector on the mounting plate in a clockwise direction. It is suggested to mount it at the height of 2.5-5 meters from the ground.

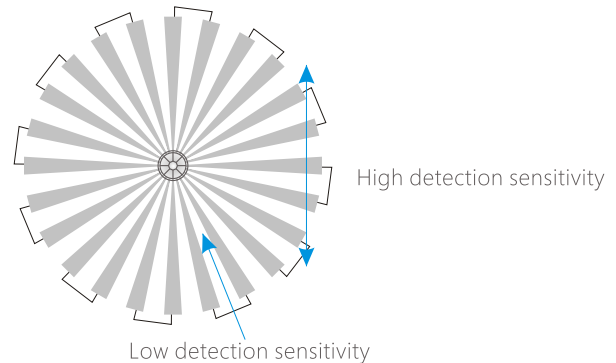
Keep the detector away from air conditioner, electronic fan, refrigerator, oven, heater or any other objects which will cause fast temperature changing.

Avoid mounting it in direct sunlight or any objects blocking the lens, so as not to influence the detection effect.



Testing (Walk Test)

After installation, power on the detector. After self-testing for 1 minute, press the test button, walk in the scope by crossing the infrared spectrum (see below diagram), and watch the LED indicator to make sure it is working. The LED indicator will flash once when body movement is detected.



Connect with the Control Panel

When the control panel is in connecting state, press the test button twice to send wireless signal. One beep is heard after panel receives signal, which means successful connection.

Arm the system, trigger the detector again. The panel will alarm immediately. This indicates the detector has successfully connected with the panel.

Specifications

Power Supply:

DC 3V (AA LR6 1.5V Battery x 2pcs)

Static Current:

≤ 50uA

Alarm Current:

≤ 9.5mA

Installation Height:

2.5-6m

Detection Scope:

Dia. 6m (when installation height is 3.6m)

Transmitting Distance:

≤ 80m (in open area)

Radio Frequency:

315MHz or 433MHz (±75KHz)

Housing Material:

ABS Plastic

Operation Condition

Temperature: -10°C ~ +50°C

Relative Humidity: ≤ 80%RH (non-condensing)

Detector Dimensions (L x W x H):

90 x 90 x 36.8mm

Mounting Plate Dimensions (L x W x H):

56 x 56 x 8mm

Ver: 700-EN-1307-2.0