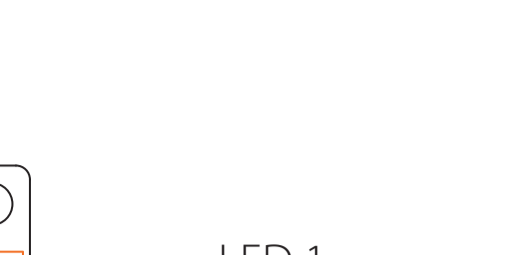
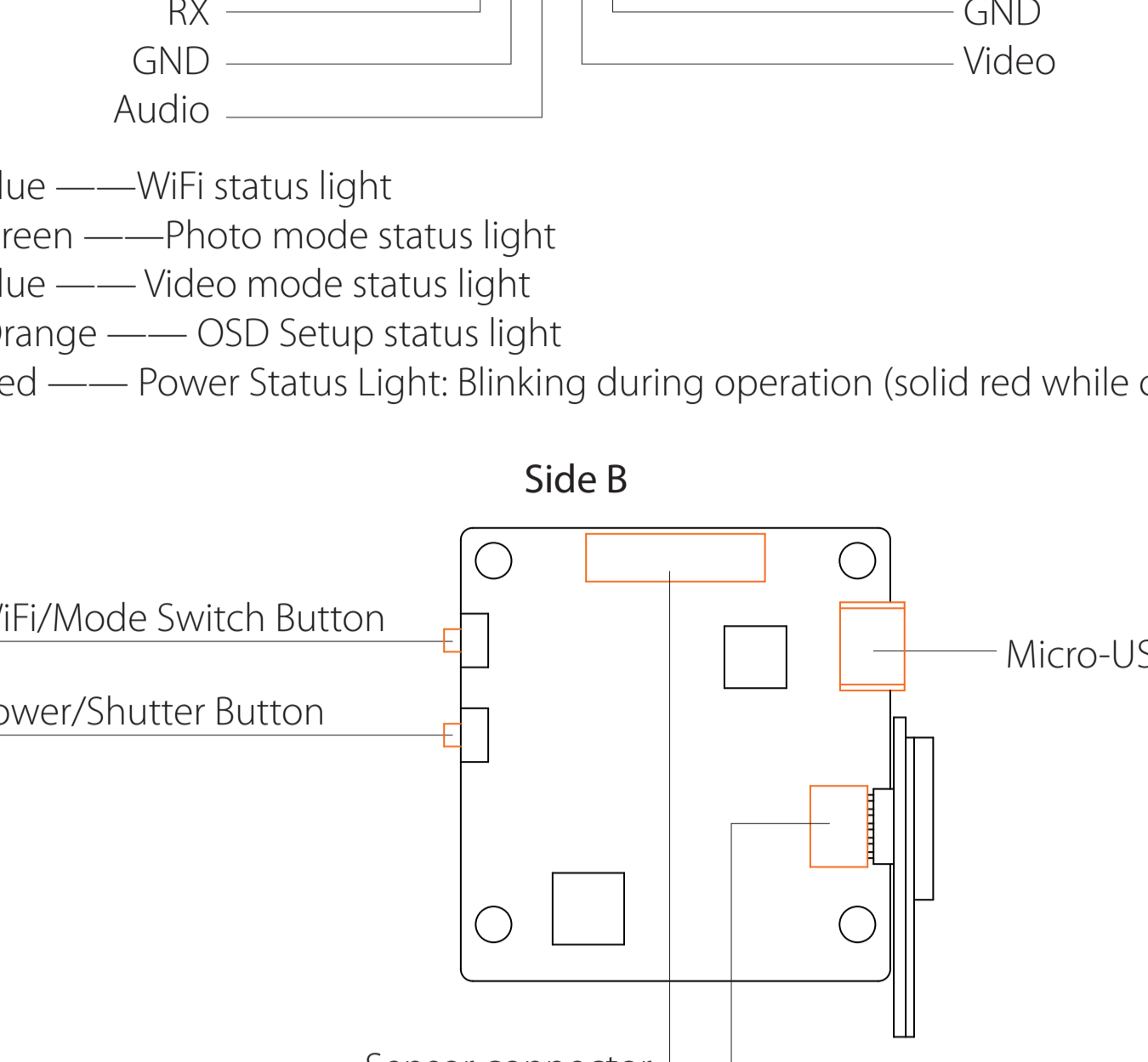


RunCam Split User Manual

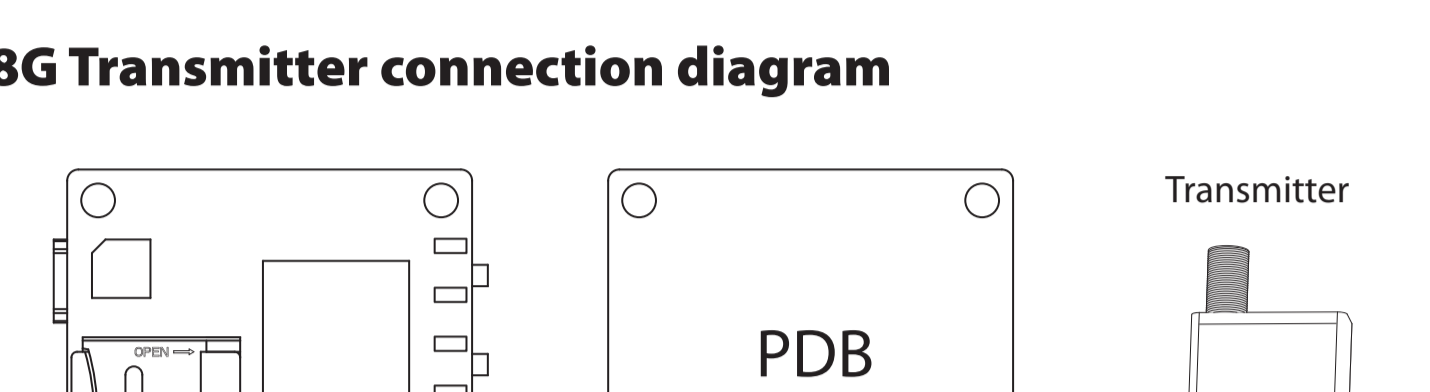


Instruction diagram



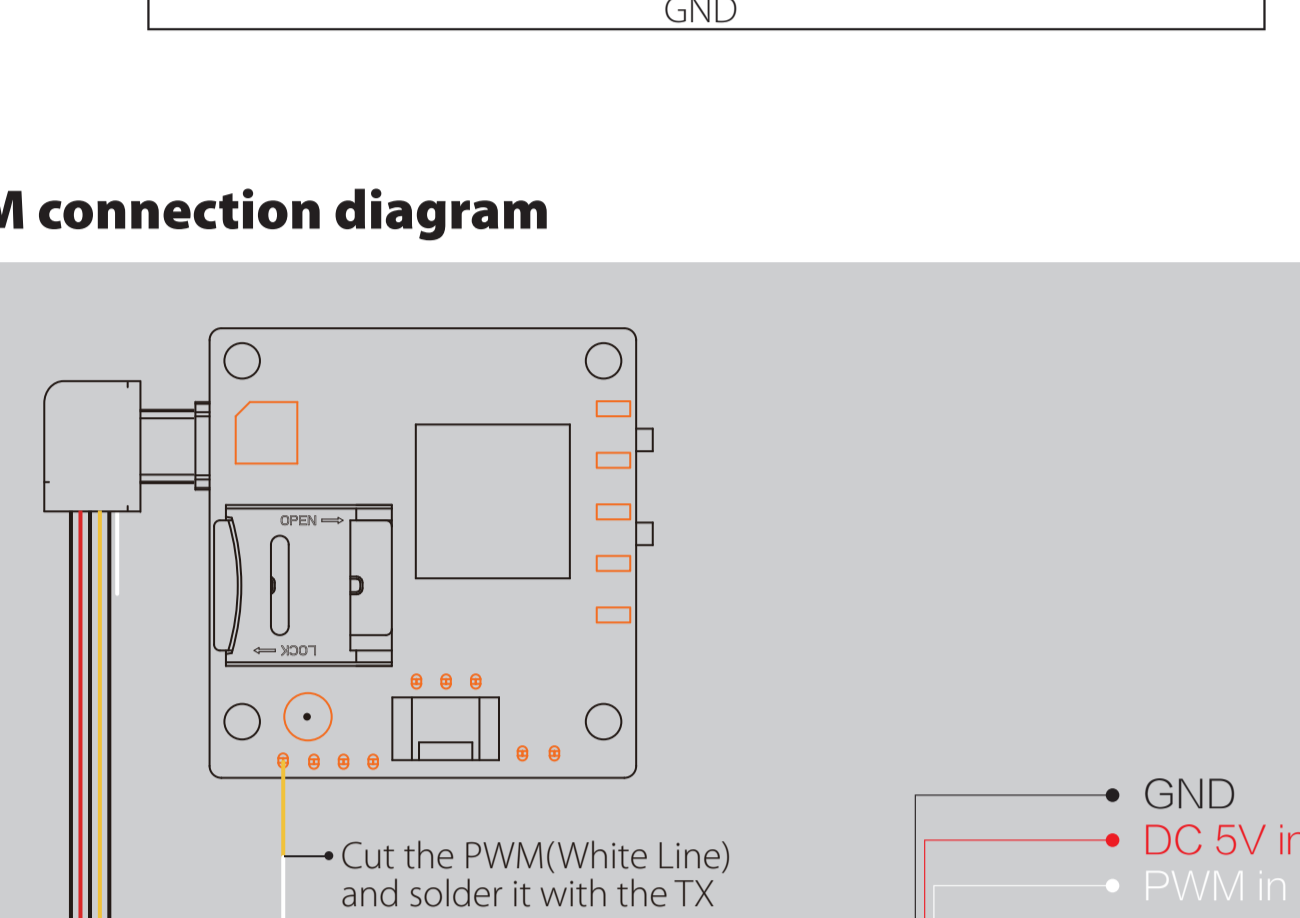
- LED 1: Blue — WiFi status light
- LED 2: Green — Photo mode status light
- LED 3: Blue — Video mode status light
- LED 4: Orange — OSD Setup status light
- LED 5: Red — Power Status Light: Blinking during operation (solid red while charging)

Side B

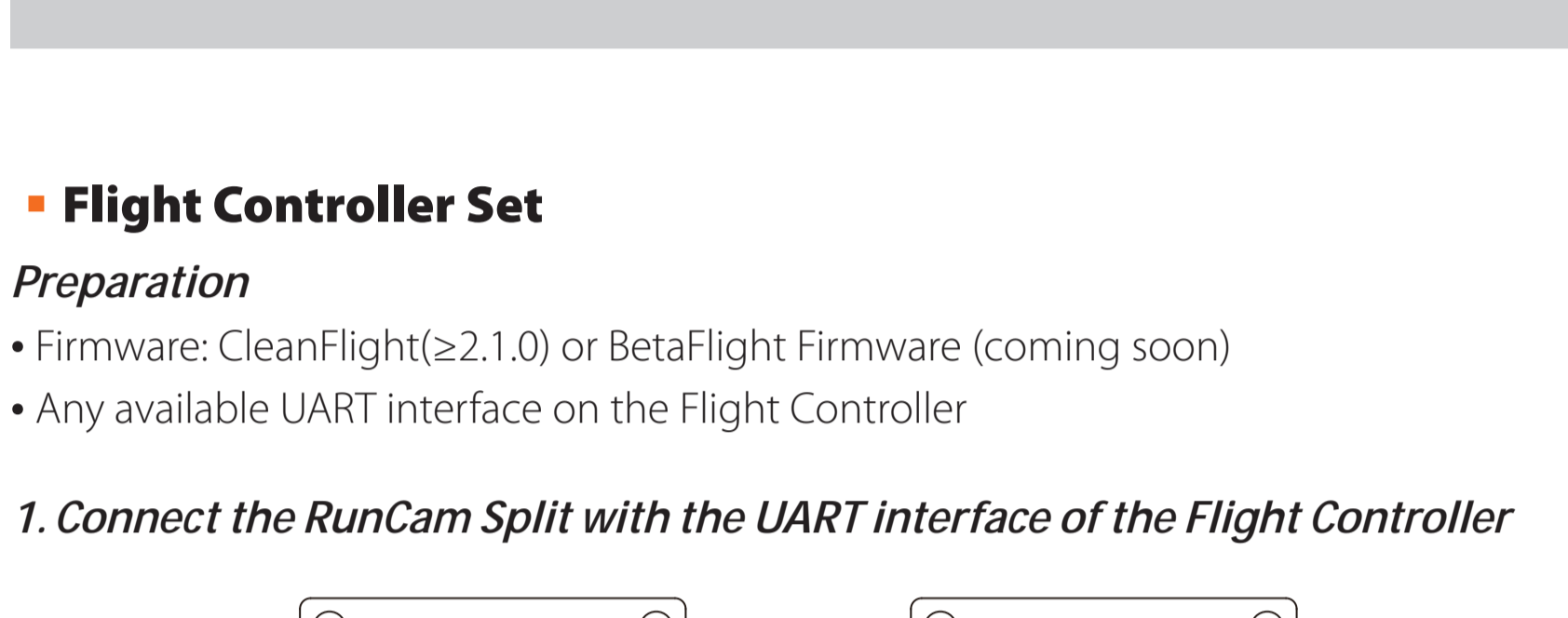


Warning: When connecting to a computer via USB, please cut off the power of the drone firstly.
 USB or 3 pin power interface only supports DC 5V power supply.
 Battery solder joints only support 4.2V lithium-ion battery.

5.8G Transmitter connection diagram



PWM connection diagram

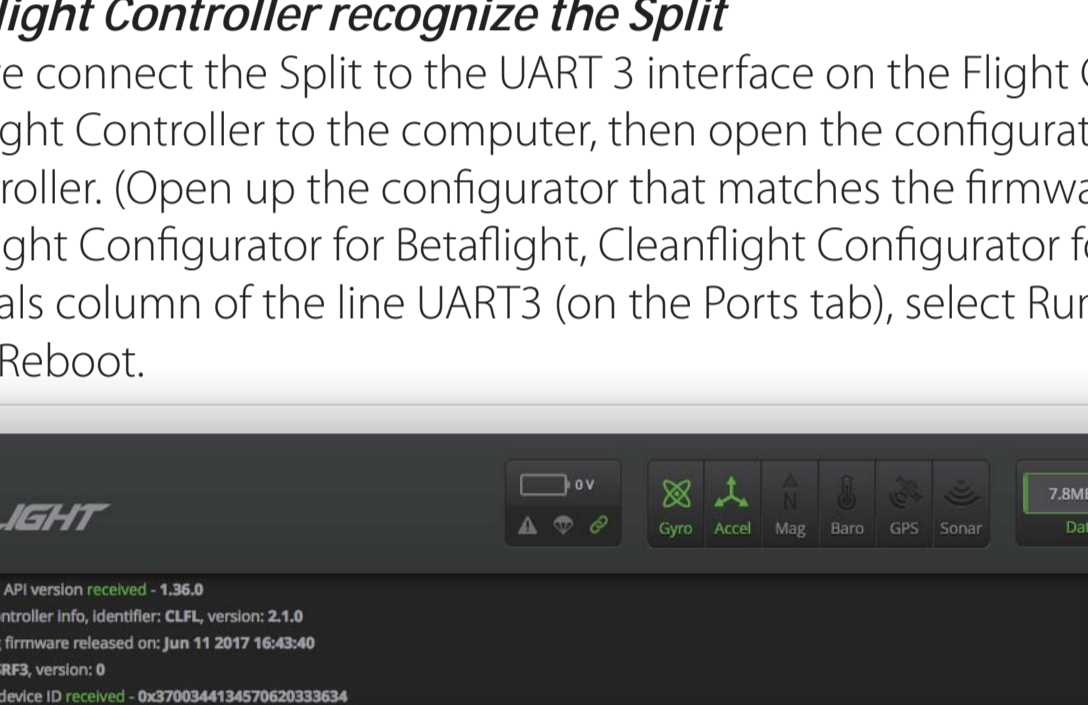


Flight Controller Set

Preparation

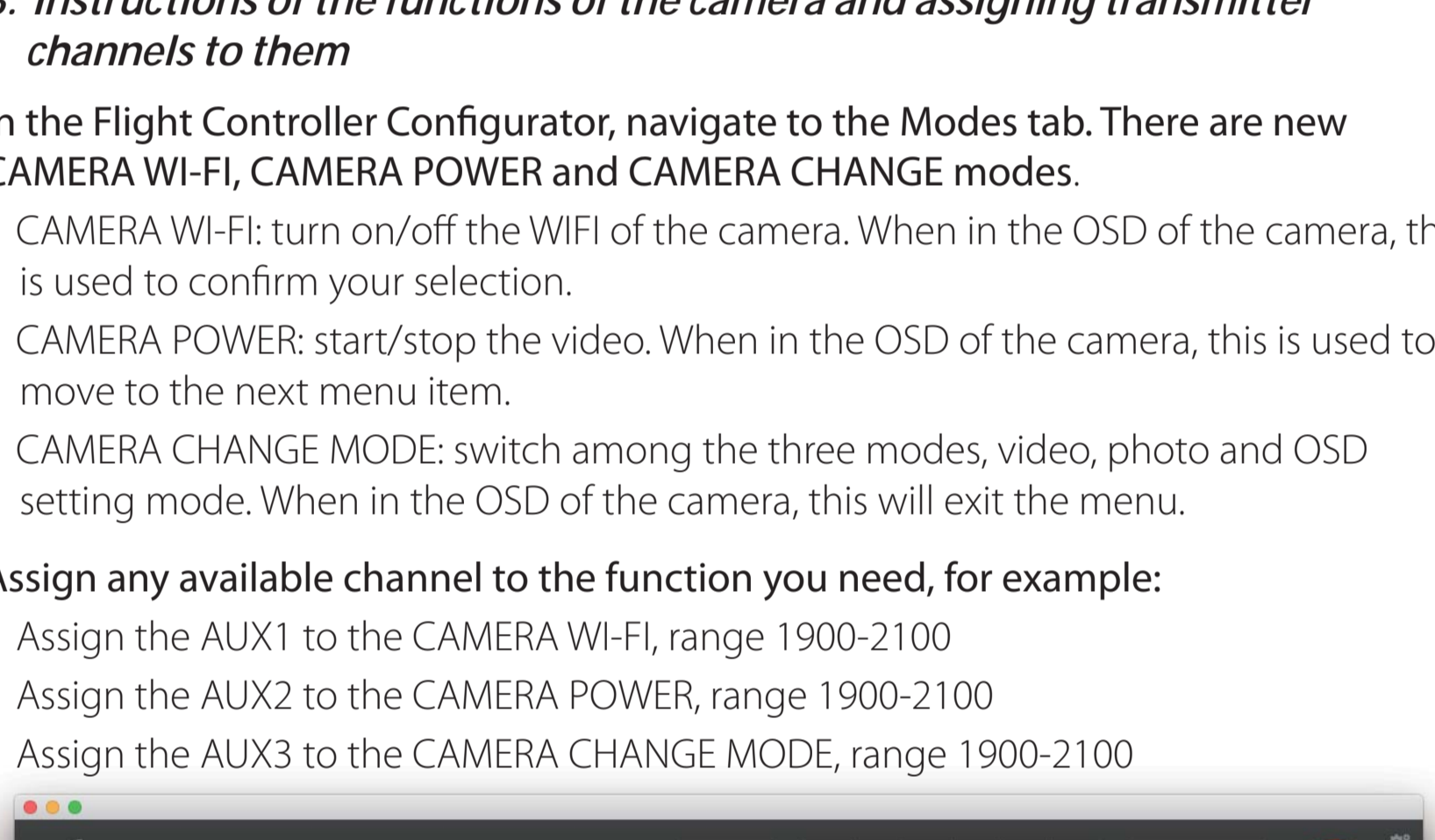
- Firmware: CleanFlight(≥2.1.0) or Betaflight Firmware (coming soon)
- Any available UART interface on the Flight Controller

1. Connect the RunCam Split with the UART interface of the Flight Controller



2. Make the Flight Controller recognize the Split

For example, we connect the Split to the UART 3 interface on the Flight Controller: connect the Flight Controller, then open the configurator, then open the configurator you are running, Betaflight Configurator for Betaflight, Cleanflight Configurator for Cleanflight). In the Peripherals column of the line UART3 (on the Ports tab), select RunCam Split and click Save And Reboot.



3. Instructions of the functions of the camera and assigning transmitter channels to them

In the Flight Controller Configurator, navigate to the Modes tab. There are new CAMERA WI-FI, CAMERA POWER and CAMERA CHANGE modes.

- CAMERA WI-FI: turn on/off the WIFI of the camera. When in the OSD of the camera, this is used to confirm your selection.
- CAMERA POWER: start/stop the video. When in the OSD of the camera, this is used to move to the next menu item.
- CAMERA CHANGE MODE: switch among the three modes, video, photo and OSD setting mode. When in the OSD of the camera, this will exit the menu.

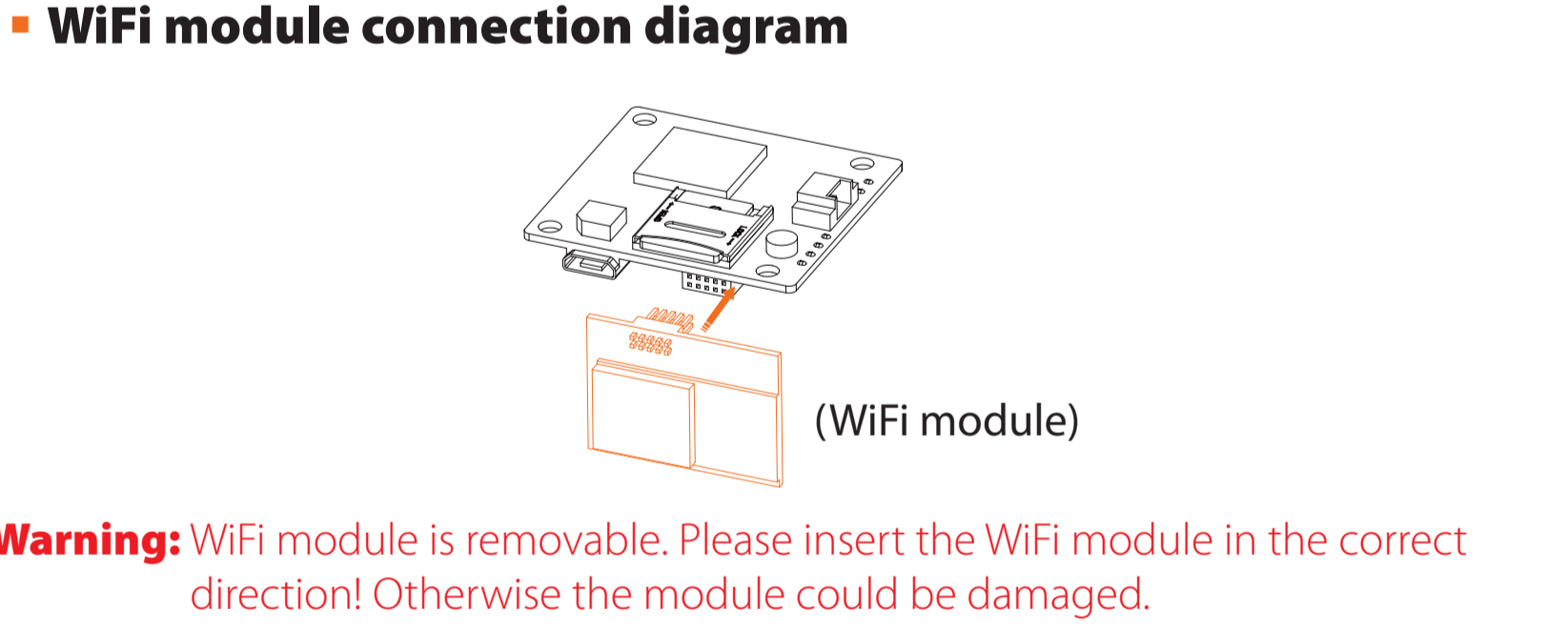
Assign any available channel to the function you need, for example:

- Assign the AUX1 to the CAMERA WI-FI, range 1900-2100
- Assign the AUX2 to the CAMERA POWER, range 1900-2100
- Assign the AUX3 to the CAMERA CHANGE MODE, range 1900-2100



4. Assign the channel to the switch of the controller

Please choose your Model on the controller, then access to the Inputs interface and assign the channel to the switch of the controller. Take opentx 2.2.0 for example, assign the channels AUX5, AUX6 and AUX7 to sa, sb and sd respectively.

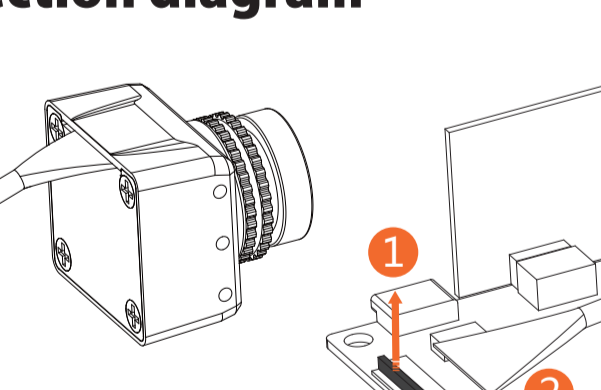


5. Test

Power the Flight Controller and the RunCam Split

- Set the SA to the bottom, the camera starts/stops the video
- Set the SB to the bottom, the camera turns on/off the WIFI
- Set the SD to the bottom, the camera switches among the three modes: video, photo and OSD setting mode

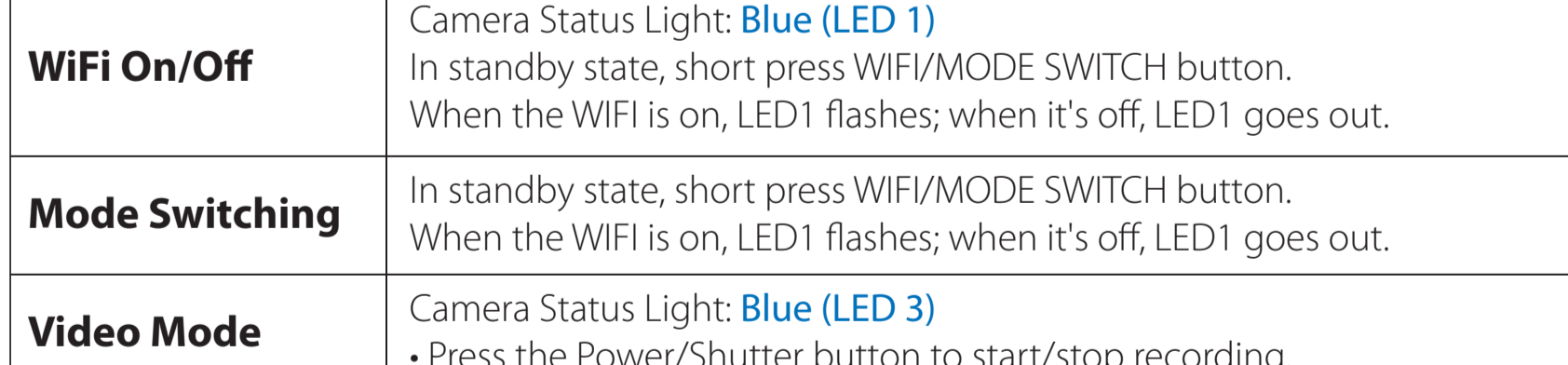
WiFi module connection diagram



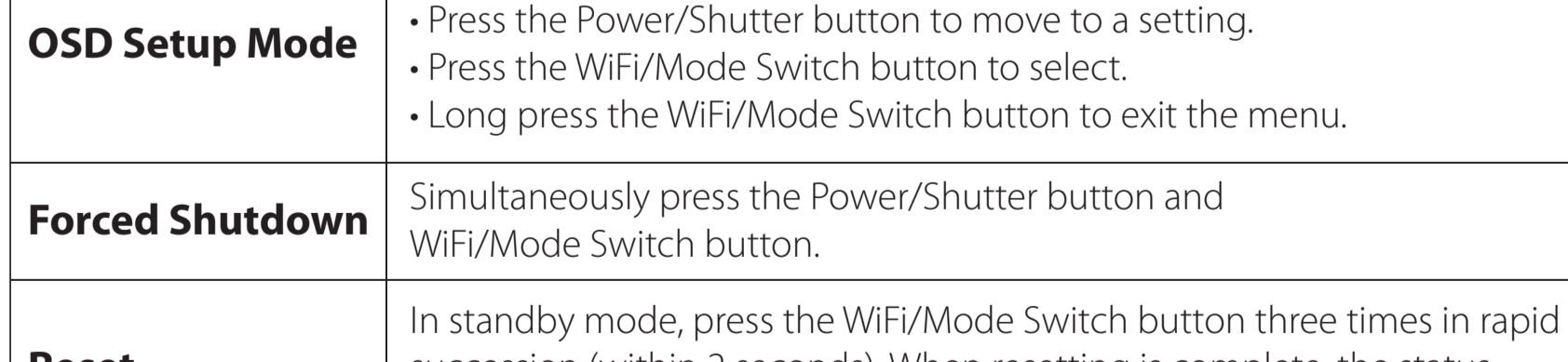
Warning: WiFi module is removable. Please insert the WiFi module in the correct direction! Otherwise the module could be damaged.

MicroSD Card

Capacity up to 64GB; Please use high speed cards(Class10/UHS-I/UHS-II).



Lens module connection diagram



Warning: Please push upward the black locking arm before you unplug the lens cable in case the connector is deposed. And Golden fingers on ends of the lens cable should face to the opposite of each other. For more details about how to connect the lens cable properly, you may refer to: <https://goo.gl/PoGg1T>

Basic Camera Operation

Powering On/Off	Long press the Power/Shutter button
WiFi On/Off	Camera Status Light: Blue (LED 1) In standby state, short press WIFI/MODE SWITCH button. When the WiFi is on, LED1 flashes; when it's off, LED1 goes out.
Mode Switching	In standby state, short press WIFI/MODE SWITCH button. When the WiFi is on, LED1 flashes; when it's off, LED1 goes out.
Video Mode	Camera Status Light: Blue (LED 3) • Press the Power/Shutter button to start/stop recording.
Photo Mode	Camera Status Light: Green (LED 2) • Press the Power/Shutter button to capture photos.
OSD Setup Mode	Camera Status Light: Orange (LED 4) • Press the Power/Shutter button to move to a setting. • Press the WiFi/Mode Switch button to select. • Long press the WiFi/Mode Switch button to exit the menu.
Forced Shutdown	Simultaneously press the Power/Shutter button and WiFi/Mode Switch button.
Reset	In standby mode, press the WiFi/Mode Switch button three times in rapid succession (within 2 seconds). When resetting is complete, the status light (orange) blinks twice, and the camera automatically shuts down.

Note: Recording automatically after tuning on by default, with the V1.0 firmware, under the video status, short press WIFI/MODE SWITCH button to pause/start the recording. With the V1.1 and later firmware, under the video status, short press WIFI/MODE SWITCH button to stop the recording and turn on the WIFI; Under the standby mode, the function of the WIFI/MODE SWITCH button doesn't change.

App(Android | iOS)

Search 'RunCam App' on Google Play/Apple Store, or download on our website: runcam.com/download/runcamSplit

Default SSID: RCSplit_***** (* for letters or numbers)

Default WiFi password: 1234567890

Check Complete User Manual

Please visit: runcam.com/download/runcamSplit

Technical Support

Please visit: runcam.com/download/runcamSplit

parameter

FOV Angle of Field	FPV FOV 130°/Recording FOV 165°
Video Resolution	1080@60fps/1080@30fps/720@60fps
Video Files	MOV
Image Resolution	2 Megapixels
TV Output	NTSC (720*480)/PAL (720*576) Switchable
Real-Time Audio Output	Yes
Interface	Micro USB / UART
Max Micro SD Card Supported	64G(need Class 6 or above, recommend Class 10/UHS-I/UHS-II)
WiFi Module	Support (Removable)
Dimensions	PCB 36*38mm/Lens Module 22*20mm
Power Input	DC 5V
Working Current	650mA @5V
Weight	21g/23g (Plus WiFi Module)