

Installation and Safety Instructions

Pendant Light Fitting

Safety Warnings

These instructions are for your safety. Please read through them thoroughly before use and retain them for future reference. If you are in any doubt about installing this product, consult a qualified electrician.

This product is only suitable for connection to a 220-240V~ 50Hz supply in accordance with current IEE wiring regulations, and should be installed in accordance with local building regulations. It is for domestic ceiling use only, and is not suitable for a bathroom location.

This is a Class I product and must be Earthed. The terminal blocks are supplied according to requirements of the fitting.

IMPORTANT: Always switch off the mains supply during installation or maintenance. We recommend that the fuse is withdrawn or the circuit breaker switched off at the distribution board whilst work is in progress (turning off the light switch is not sufficient). Connection should be via a wall switch to enable safe isolation.

The product must be securely fixed to the mounting surface using the screws and wall plugs supplied. The screws and wall plugs supplied are suitable for "masonry" only. Other fixings are not supplied and must be purchased.

Decide on the position of the light fitting or remove existing light fitting. Note the position of the electrical connections, and ensure there is a solid mounting surface, Preferably a wooden joist or joist bridge, to support the weight of the light fitting.

Take care not to drill into any pipes or mains cables beneath the surface during mounting holes preparation.

Never put anything on the product or hang anything on any part of this product.

IMPORTANT: Ensure that all electrical connections are tight and that no loose strands are left out of the terminal.

Never fit bulbs of a higher wattage than those specified on the label (as these may cause over heating and damage the fitting).

Waste electrical products should not be disposed of with household waste. Please recycle where facilities exist. Check with your Local Authority or local store for recycling advice.

Care and maintenance

For bulb replacement, switch off the product (preferably, isolate it at the distribution board) and allow it to cool down (Caution: bulb gets hot during use).

Clean with a dry cloth only. Do not use liquid or abrasive cleaners on this product.

Troubleshooting

When the bulb does not light after installation:

- > Ensure there is no electricity failure.
- > Ensure all the connections are secure.

If you have any doubt about installation/use of this product, consult a qualified electrician.



Assembly Instructions

This product is very heavy. We recommend a minimum of 2 people are needed to ensure safe installation of this product.

Attaching the chain

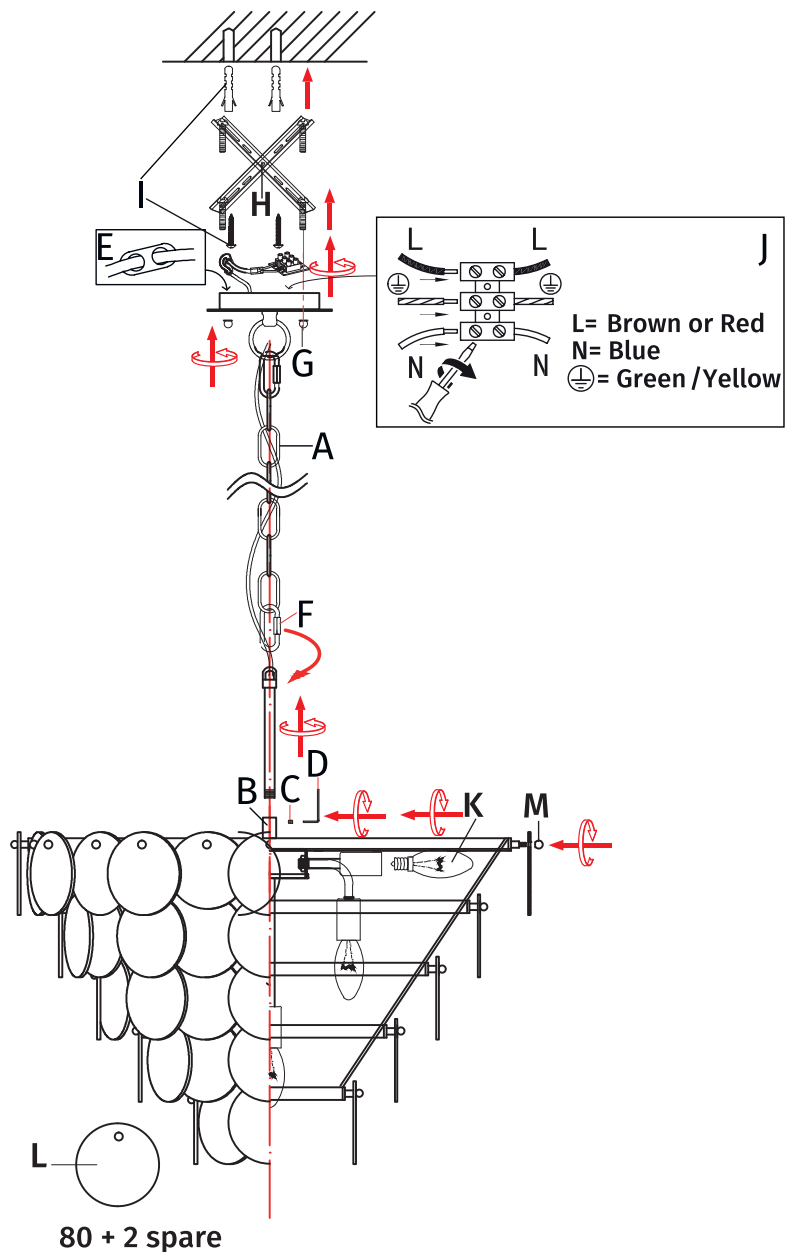
1. This product has been packed with the chain (A) detached. It will be necessary to refit the stem before wiring and fixing to the ceiling. To ensure internal cable is not twisted, twist stem 3 times anti-clockwise before screwing into boss (B). Fully screw the stem into the boss. Secure in place with the supplied hex screw (C) and hex key (D). Take care not to scratch the finish.


Reducing the drop:

1. If you want to reduce the overall length of the fitting it is essential that this is done before the fitting is mounted to the ceiling, or connected to the mains supply.
2. The height of this product can be reduced by pulling the cable through the cable grip (E) and removing chain links. Unscrew the carabiner (F) on the bottom chain link and remove unwanted links before retightening it. Always ensure the weight of the product is supported by the chain and not the cable. If you are unsure about your ability to do this, we recommend you contact a qualified electrician.

Installation:

1. Remove the four finials (G) and retain the finials for re-use.
2. Using the fixing bracket (H) as a template, mark and make the fixing holes, then affix the bracket to the ceiling with appropriate fixings (I).
3. Support your fitting and connect the house wiring to the terminal block (J) – see expanded wiring detail. **NOTE: This is a Class I fitting and must be earthed.**
4. Secure the ceiling cup over the bracket by using the finials (G) removed in Point 1.
5. Fit the bulbs (K). **Note: Never fit bulbs of a higher wattage than stated on the lampholder, as this may cause overheating and damage the fitting.**
6. Fit the glass discs (L) around the shade by firstly removing the finials (M). Then place the discs over the stems and refit the finials.
7. Turn on the power and test.





- (EN) Scan QR code for multi-language
- (FR) Scannez le code QR pour plusieurs langues
- (ES) Escanee el código QR para varios idiomas
- (PL) Zeskanuj kod QR dla wielu języków
- (DE) Scannen Sie den QR-Code nach mehreren Sprachen
- (IT) Scansiona il codice QR per multilingua

Escapology.
- HOME -
INTERIORS

CE 
133_20210318