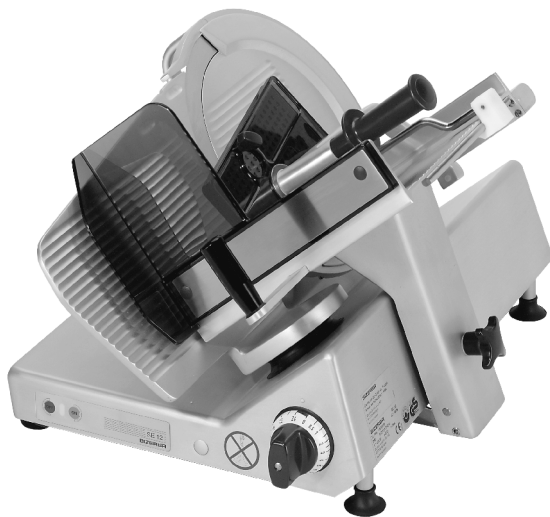
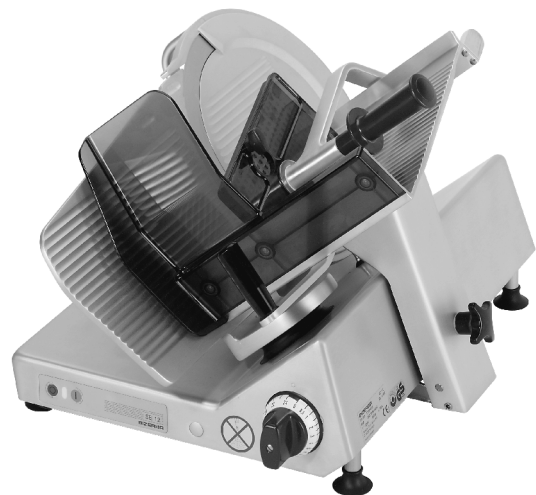


Precision slicer

SE 12

**SE 12/0****SE 12/18 Low****SE 12/25 Low
SE 12/25 High**

Precision slicer

SE 12

Content of drawings	Page of drawing
Lifting lever	1
Carriage	
Overview	3
Inclination 0°, (horizontal)	4
Inclination 18°, Low, with version aluminium one-part	7
Inclination 18°, Low – Inclined slicer	9
Inclination 18°, Low – Clamping carriage, with version aluminium one-part	12
Inclination 25°, Low, High USA, High USA Alu RW, High USA Grivory RW	18
Inclination 25°, High	20
Inclination 25°, Low CAN, High CAN, High USA, Alu welded	21
Retrofitting set, one-part 25° aluminium carriage	22
Retrofitting set rear wall Lexan to Alu	23
Cables	24
Built-in motor	25
LPB ON-OFF, decorative film, transformer, capacitor and strands	26
Blade cover	
Central fastening, Teflon	27
Central fastening, for blade 330 und 350 mm.	28
Decentral fastening, for blade 330 und 350 mm	29
Blade guard ring	
Carriage inclination 0°, blade cover centrally fastened	30
Carriage inclination 18° and 25°, blade cover centrally fastened	31
Carriage inclination 0°, blade cover decentrally fastened	32
Carriage inclination 18° and 25°, blade cover decentrally fastened	33
Gauge plate	34
Signs	35
Accessories and operating instructions	37
Accessories for elevated installation	38
Sharpener	39

Content of drawings	Page of drawing
Accessories deactivation	41
Remnant holder	42
Tomato ruler remnant holder plate	43
Product fixation	44
Tomato guide	44
Ruler, complete	45
Retrofitting set, product fixation	46
Salami guide	47
Vegetable chute and pusher	48
Basic parts	50
Blade bearing pre-mounted SE 12, for centrally fastened blade cover	50
Blade bearing pre-mounted, for decentrally fastened blade cover	52
Deflector (small) and support for blade guard ring (blade 330 mm)	54
Deflector (small) and support for blade guard ring (blade 350 mm)	55
Deflector plastic (with integrated support)	56
Motor fastening and belt tension	57
Motor cover, supporting legs, running rail	58
Rotary knob and bearing bracket	59
Carriage guide, rail, angle and locking device	60
Bearing bracket, pre-mounted	63
Switch cover and accessories for LPB ON/OFF	64
Automatic switchoff, sharpening-zero switch, zero switch	65
Version WR (Water Resistant)	66
Repair kit blade shaft USA	68
Last page of drawings	68

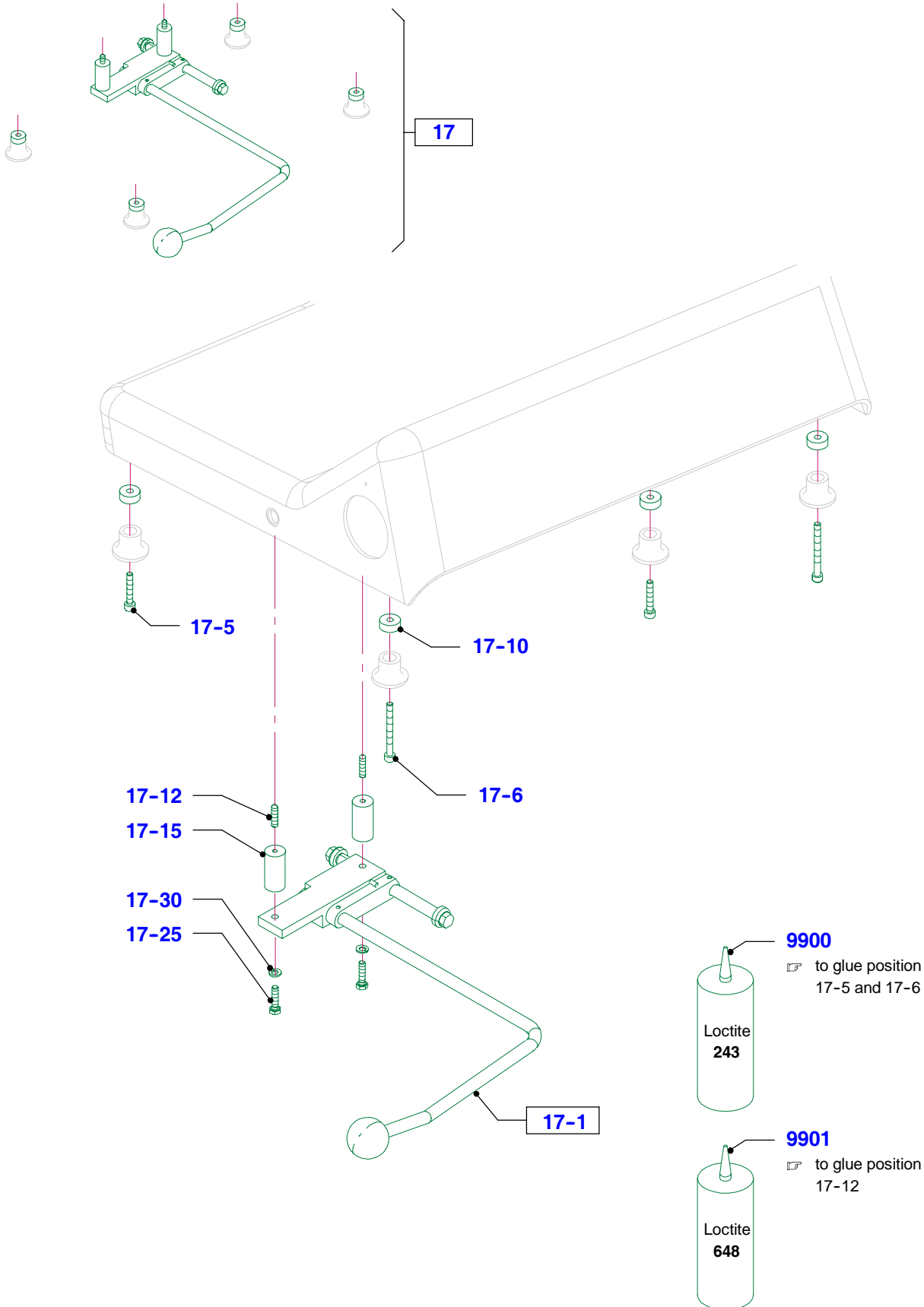
12-2 Rimmed drawing position numbers mark the assemblies of spare parts. The spare parts, which may be ordered, are marked in a detailed way elsewhere in the spare parts list.

The spare parts marked with „Q” are important for the verification, i. e. at the assembly of these parts the verification seal is destroyed. These parts can be purchased only at authorized Bizerba representations.

On the image and text section spear and wear parts are highlighted with (V).

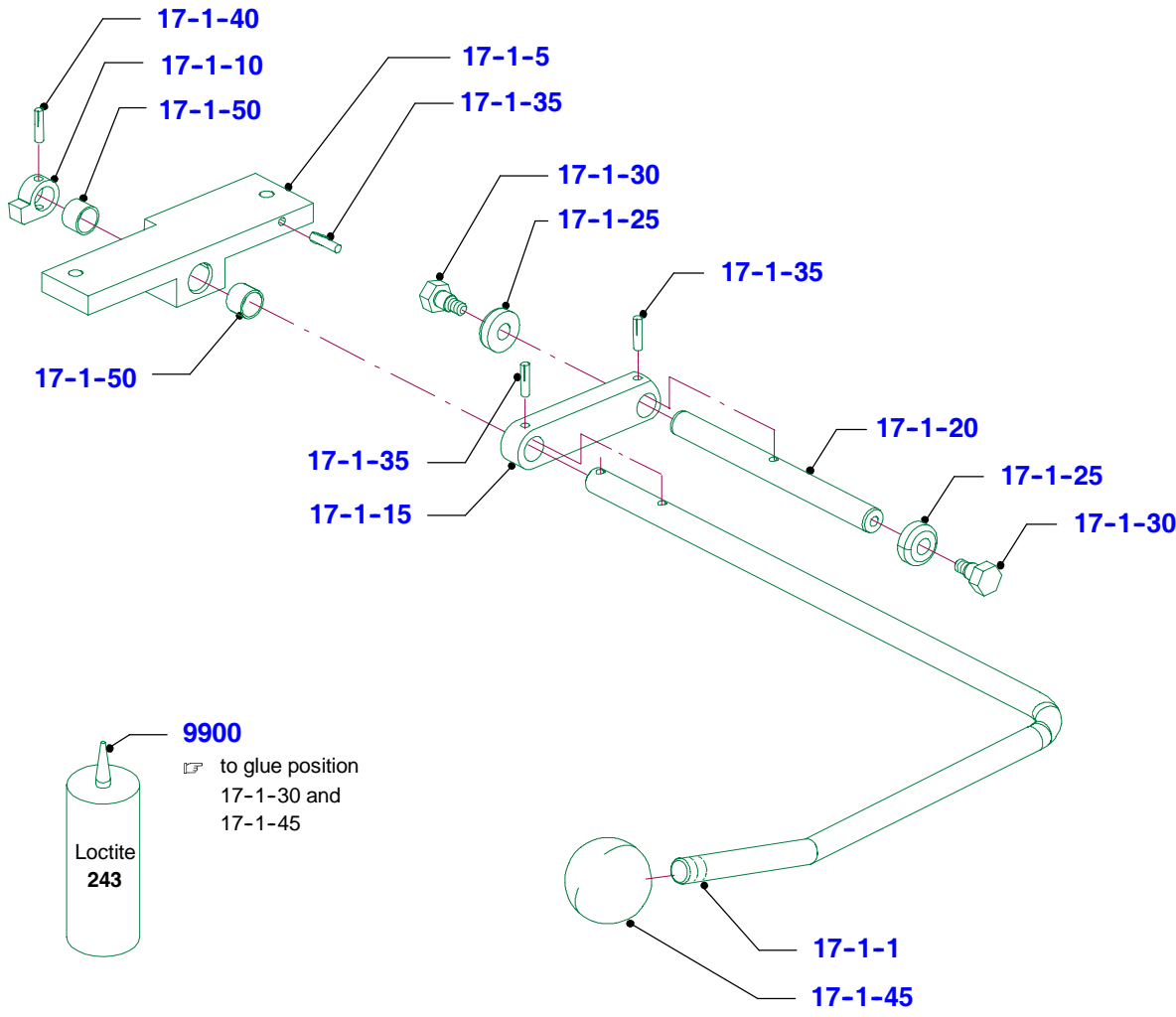
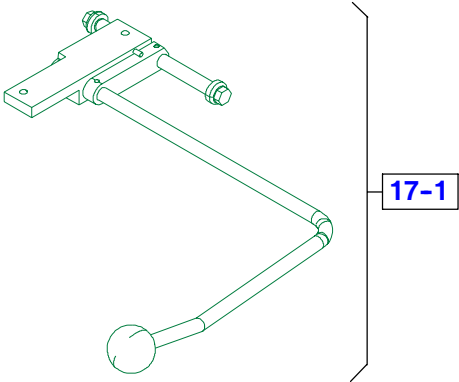
The content of the parts number list is located before the text pages in the rear part of the spare parts list.

Lifting lever



Lifting lever

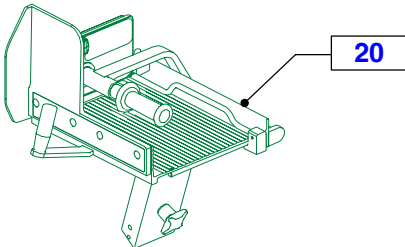
Lifting device pre-mounted



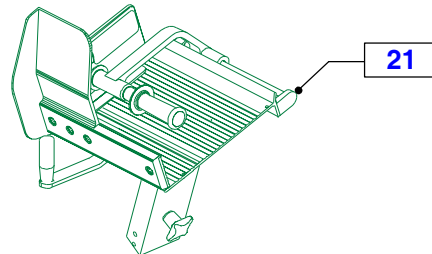
Carriage

Overview

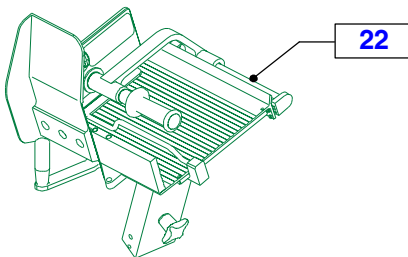
**Carriage inclination 0° (horizontal),
with version for belgium**



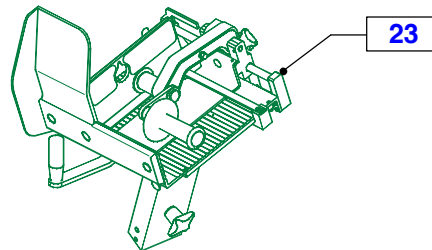
**Carriage inclination 18°, Low,
with version alu one-part**



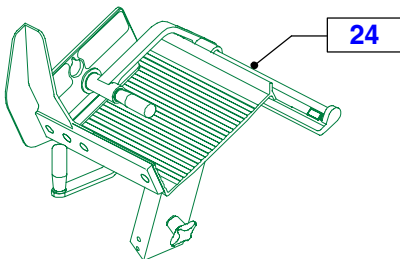
Carriage inclination 18°, Low - Inclined slicer



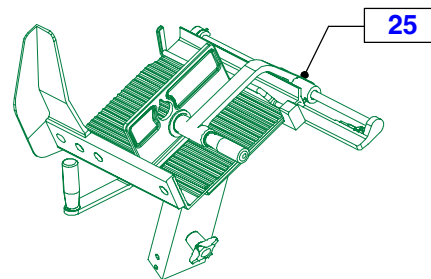
**Carriage inclination 18°, Low - Clamping carriage,
with version alu one-part**



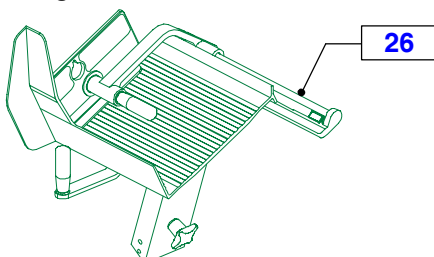
Carriage inclination 25°
- Low
- High USA
- High USA -Alu RW
- High USA Grivory RW



Carriage inclination 25°
- High

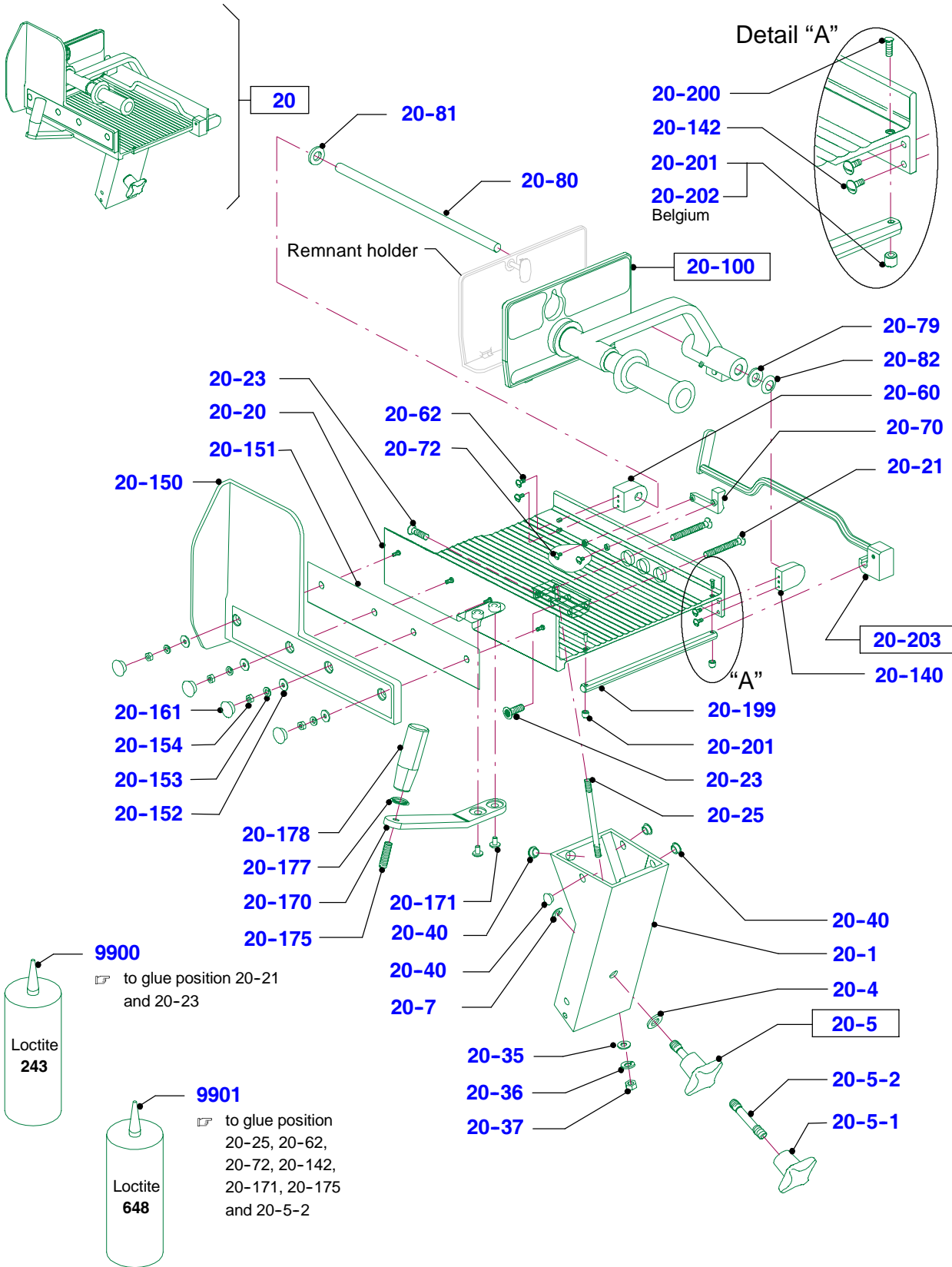


Carriage inclination 25°
- Low CAN Alu welded
- High CAN Alu welded
- High USA Alu welded



Carriage

Carriage inclination 0° (horizontal)



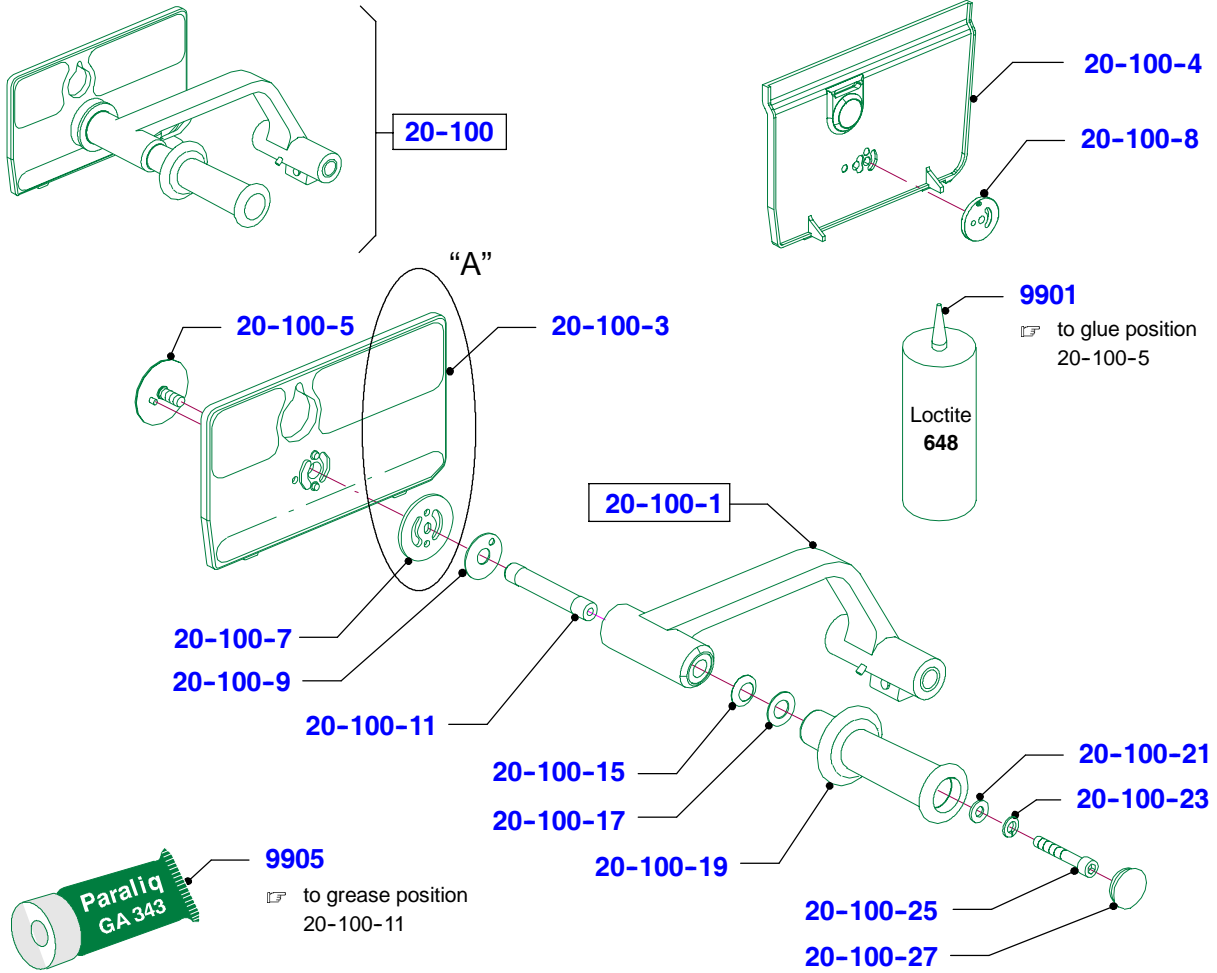
4

Carriage

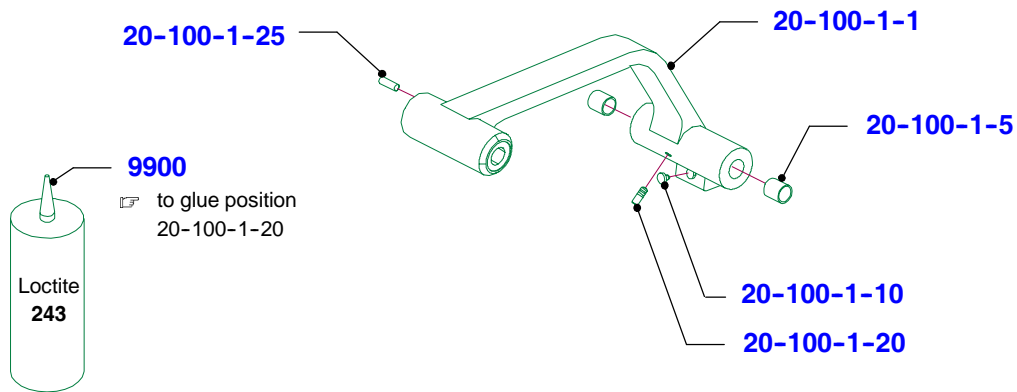
Carriage inclination 0° (horizontal)

Slider guard + lever

Version "A"
for Belgium



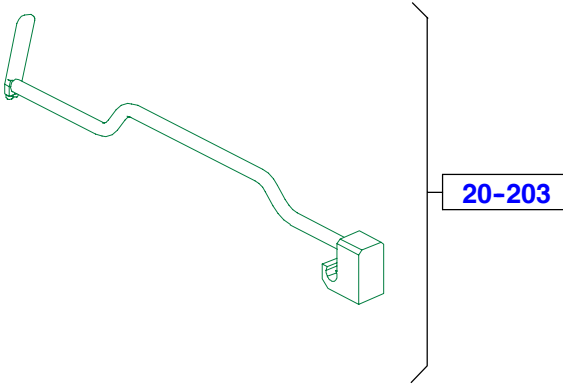
Level, pre-mounted, 0°



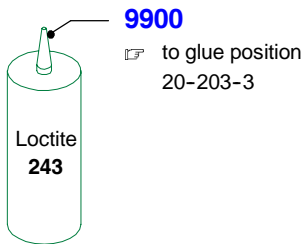
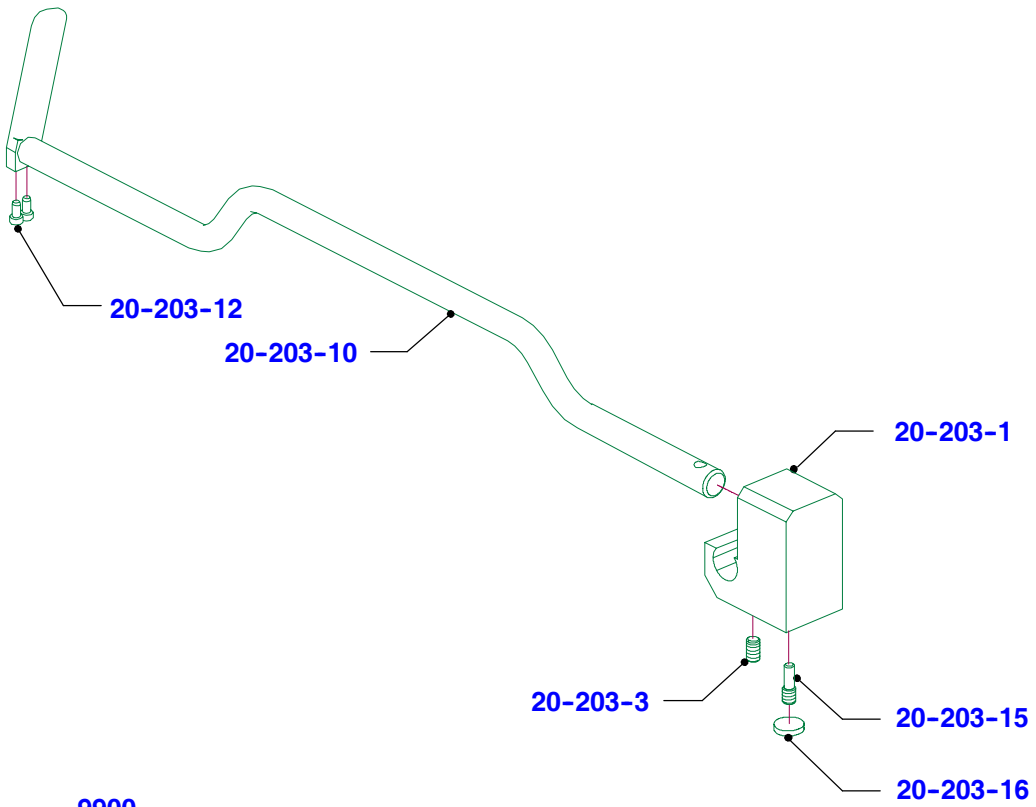
Carriage

Carriage inclination 0° (horizontal)

Slider

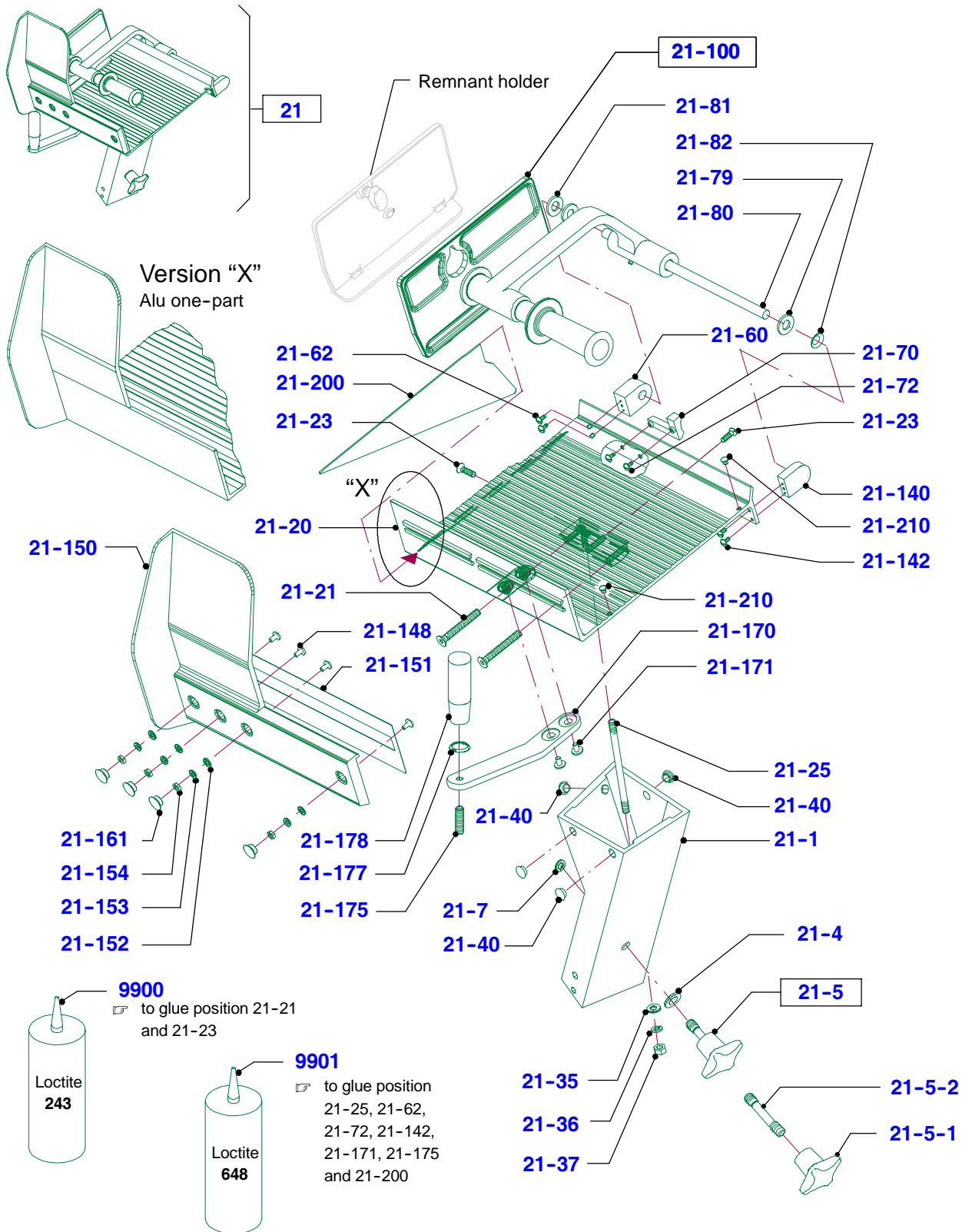


4



Carriage

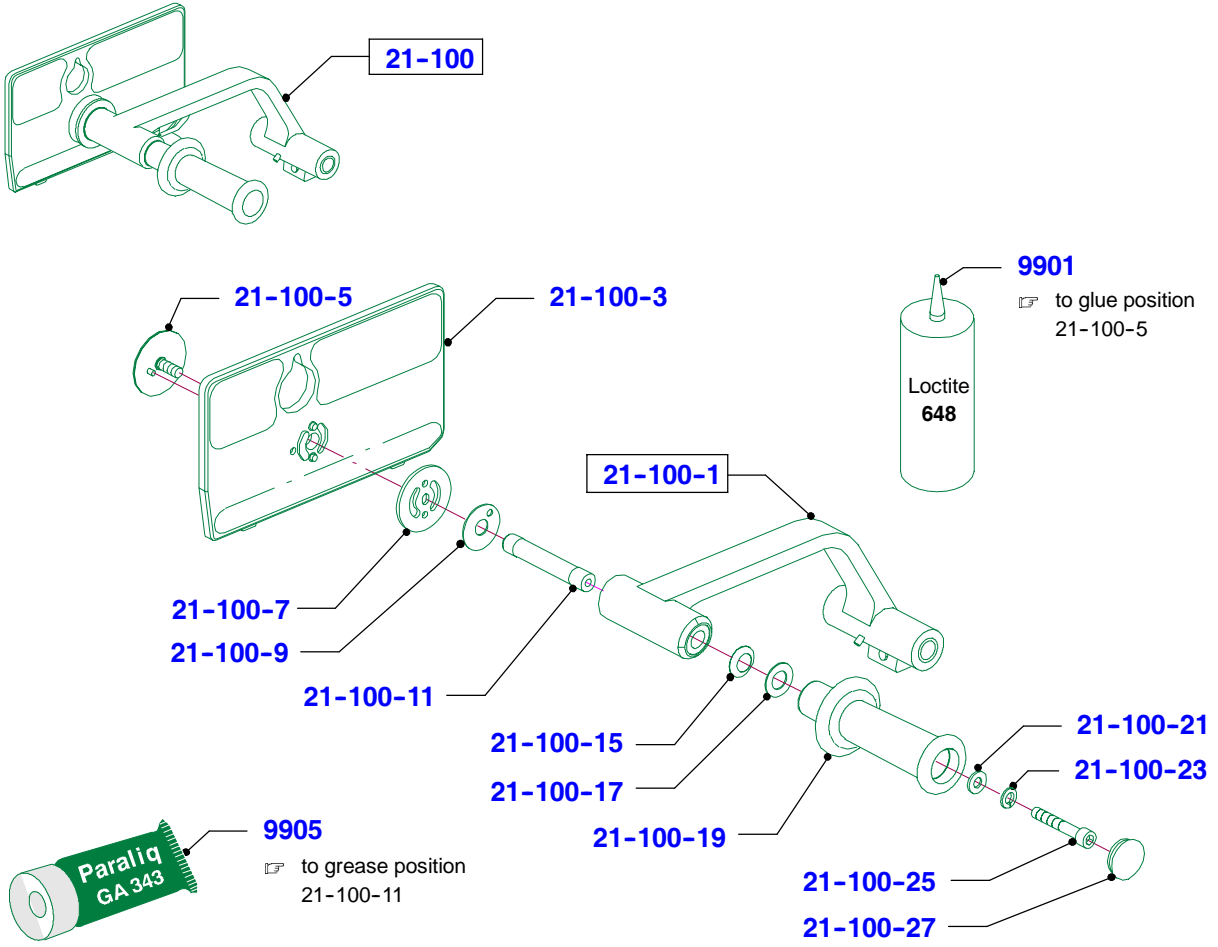
Carriage inclination 18°, Low with version alu one-part



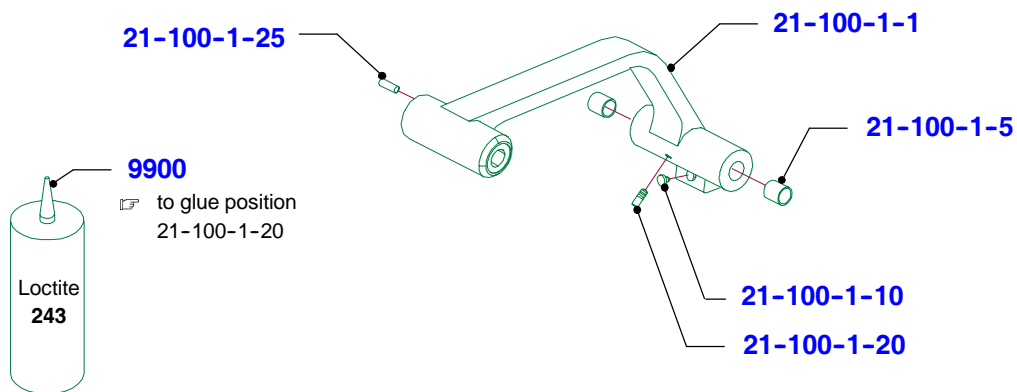
Carriage

Carriage inclination 18°, Low

Slider guard + lever



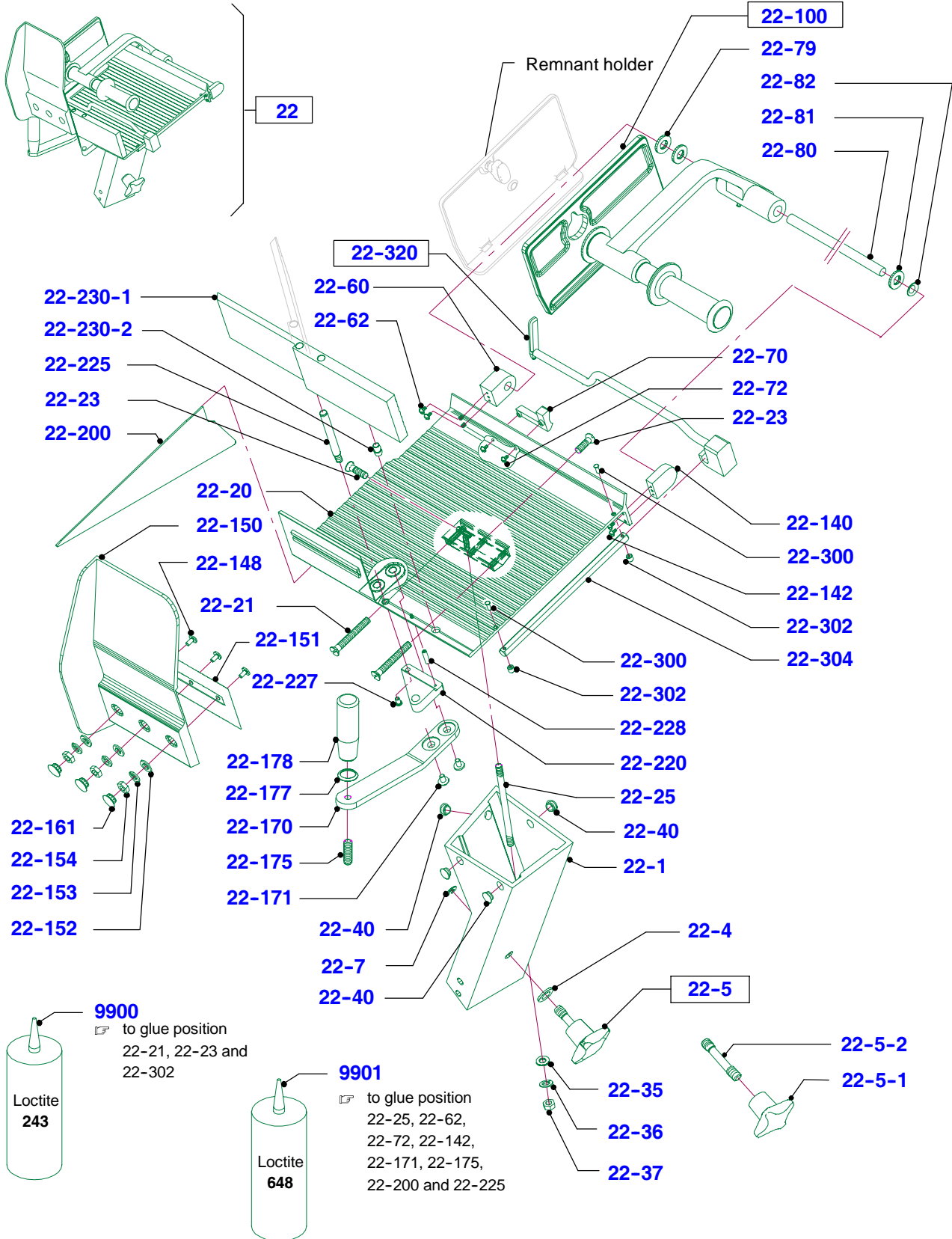
Level, pre-mounted, 18°



4

Carriage

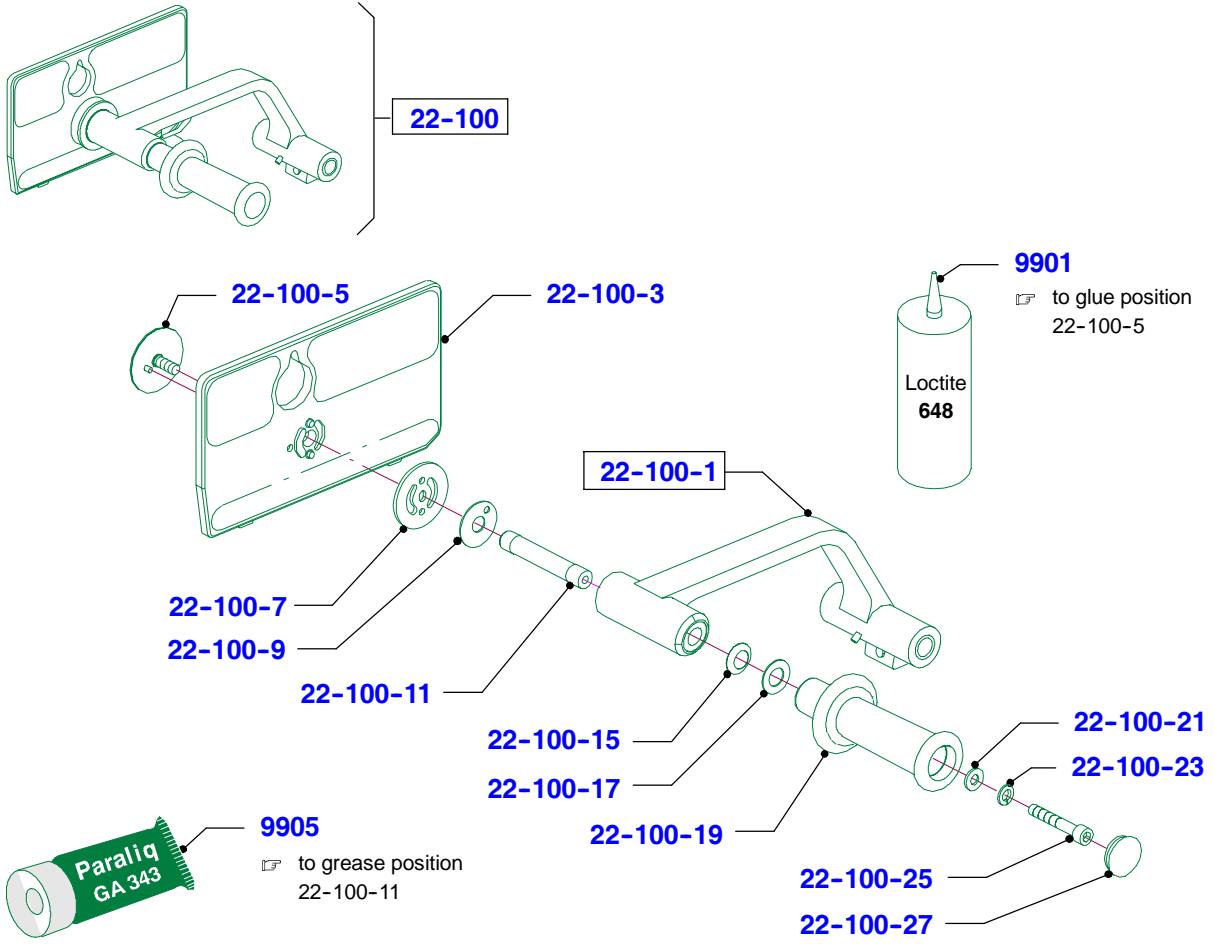
Carriage inclination 18°, Low - Inclined slicer



Carriage

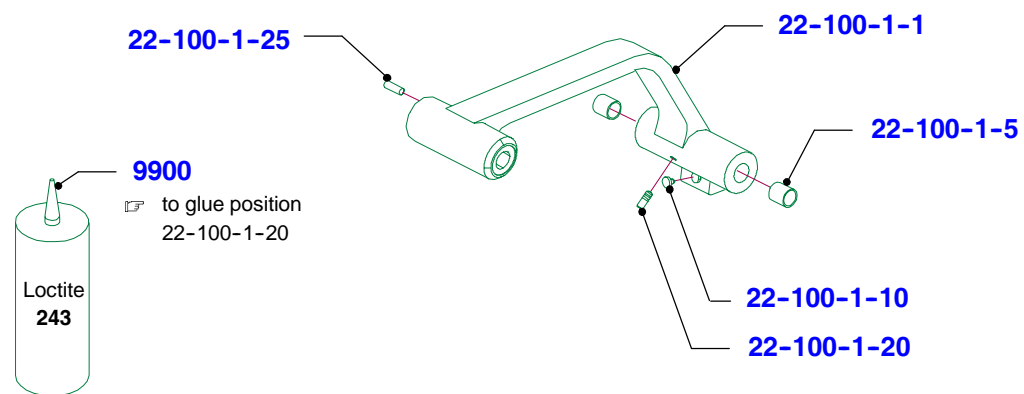
Carriage inclination 18°, Low - Inclined slicer

Slider guard + lever



4

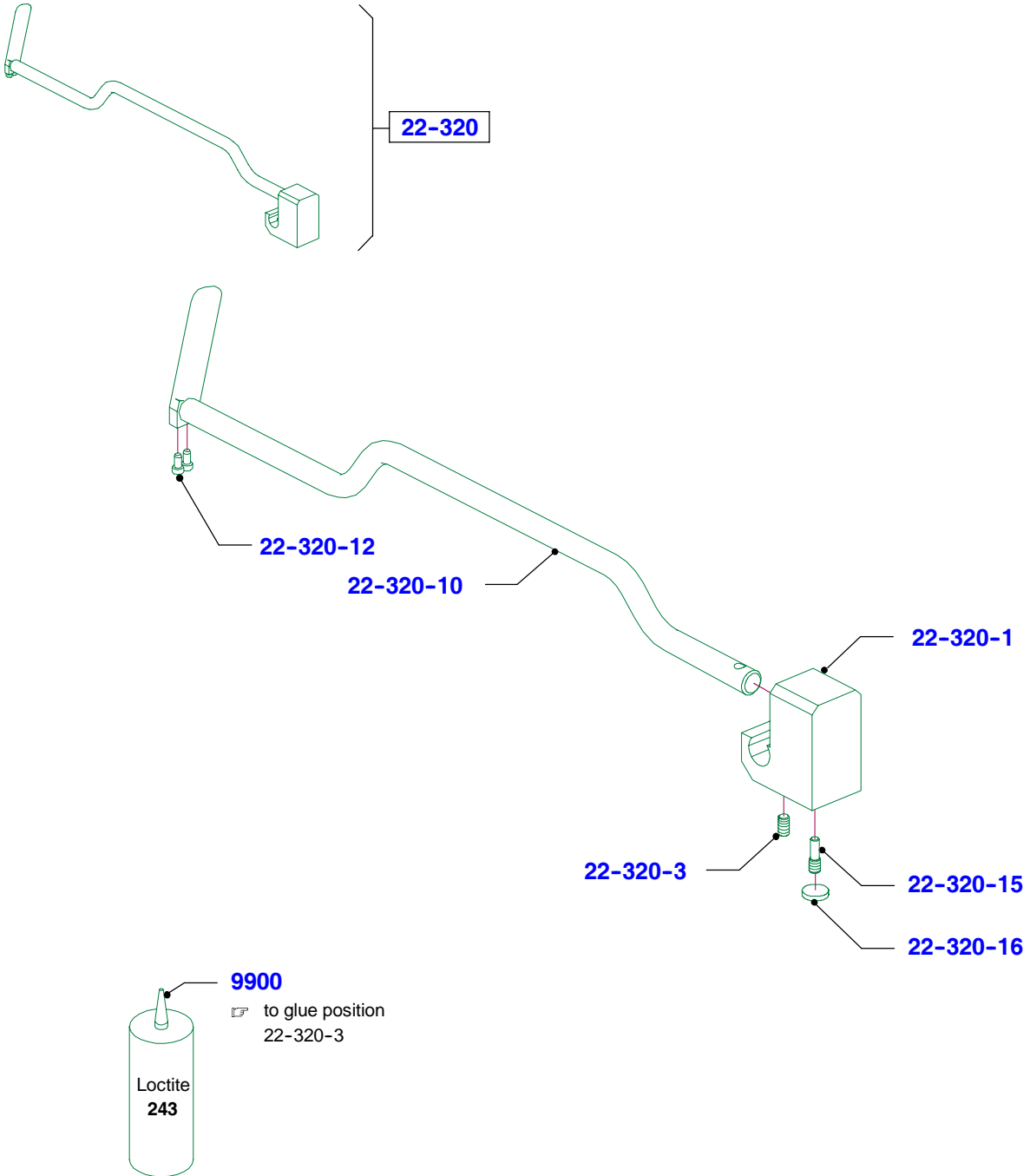
Lever, pre-mounted, inclined slicer 18°



Carriage

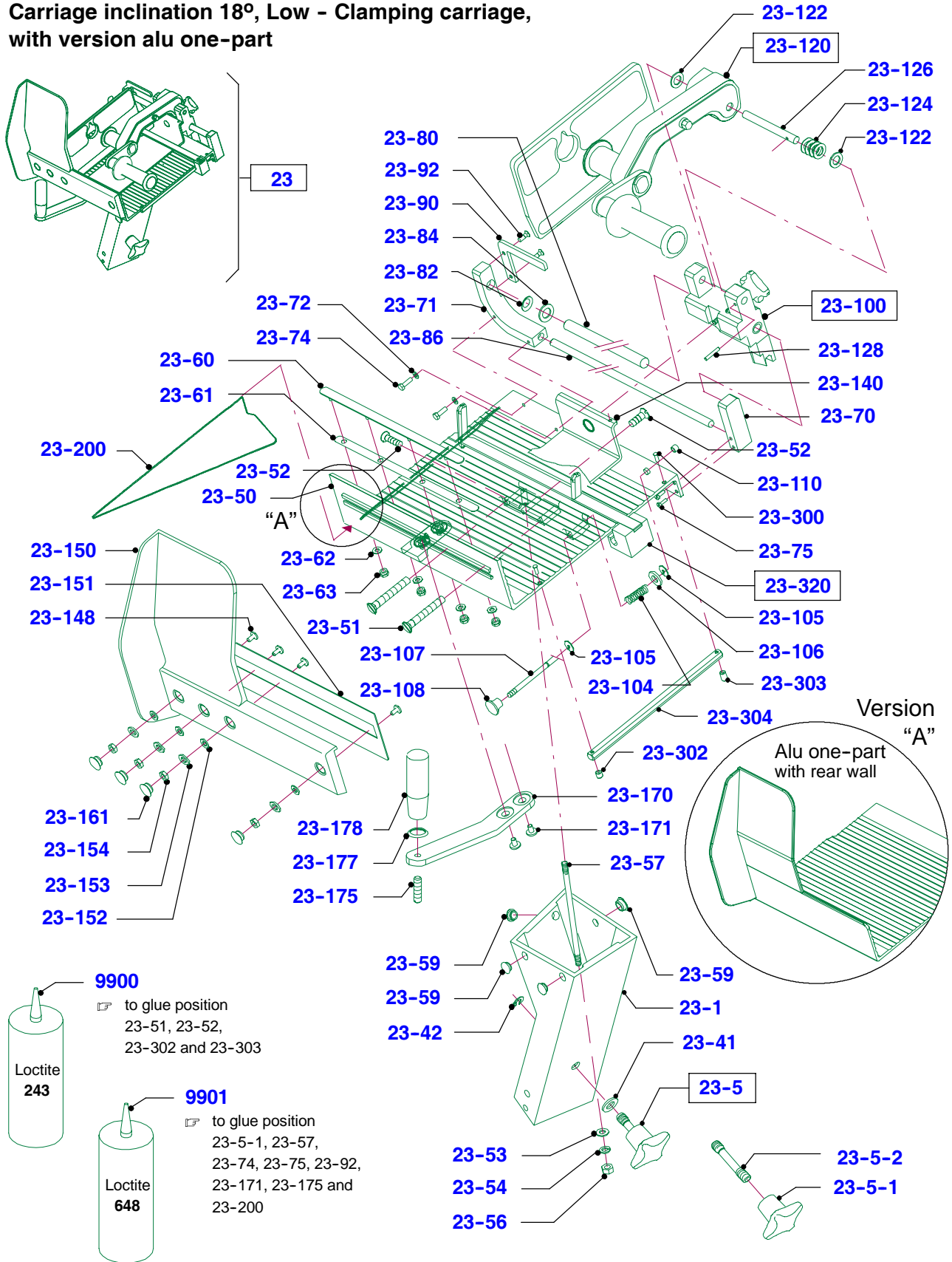
Carriage inclination 18°, Low - Inclined slicer

Salami guide



Carriage

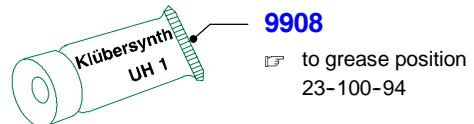
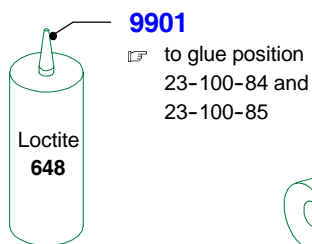
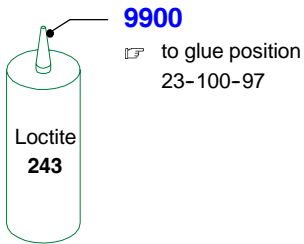
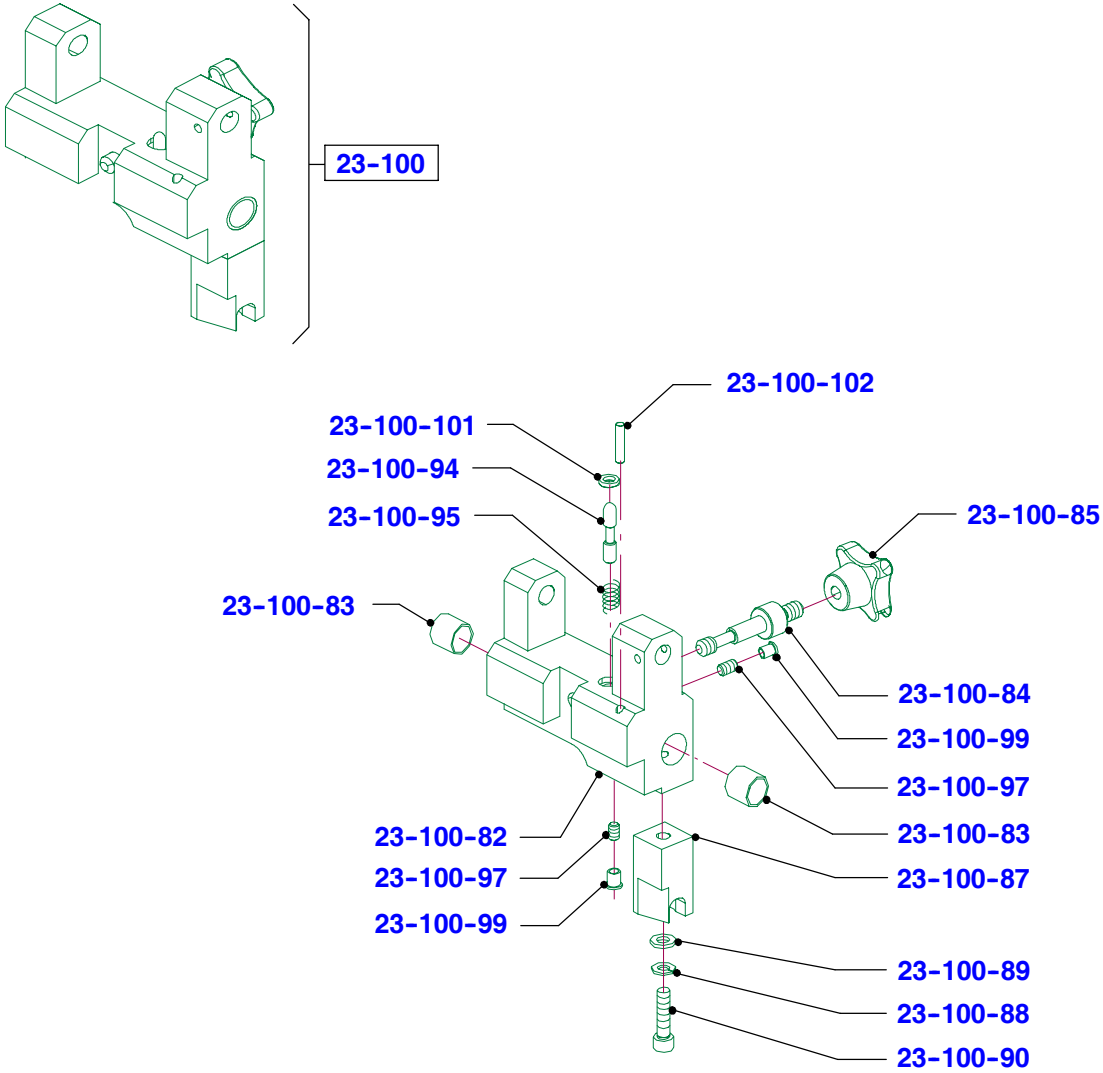
Carriage inclination 18°, Low - Clamping carriage, with version alu one-part



Carriage

Carriage inclination 18°, Low - Clamping carriage

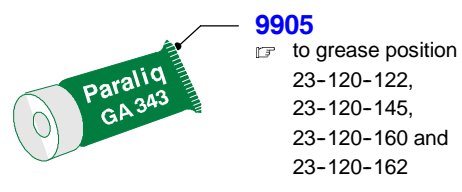
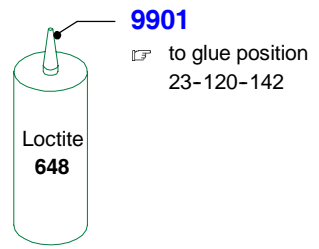
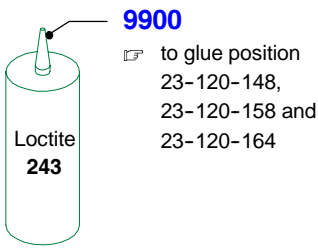
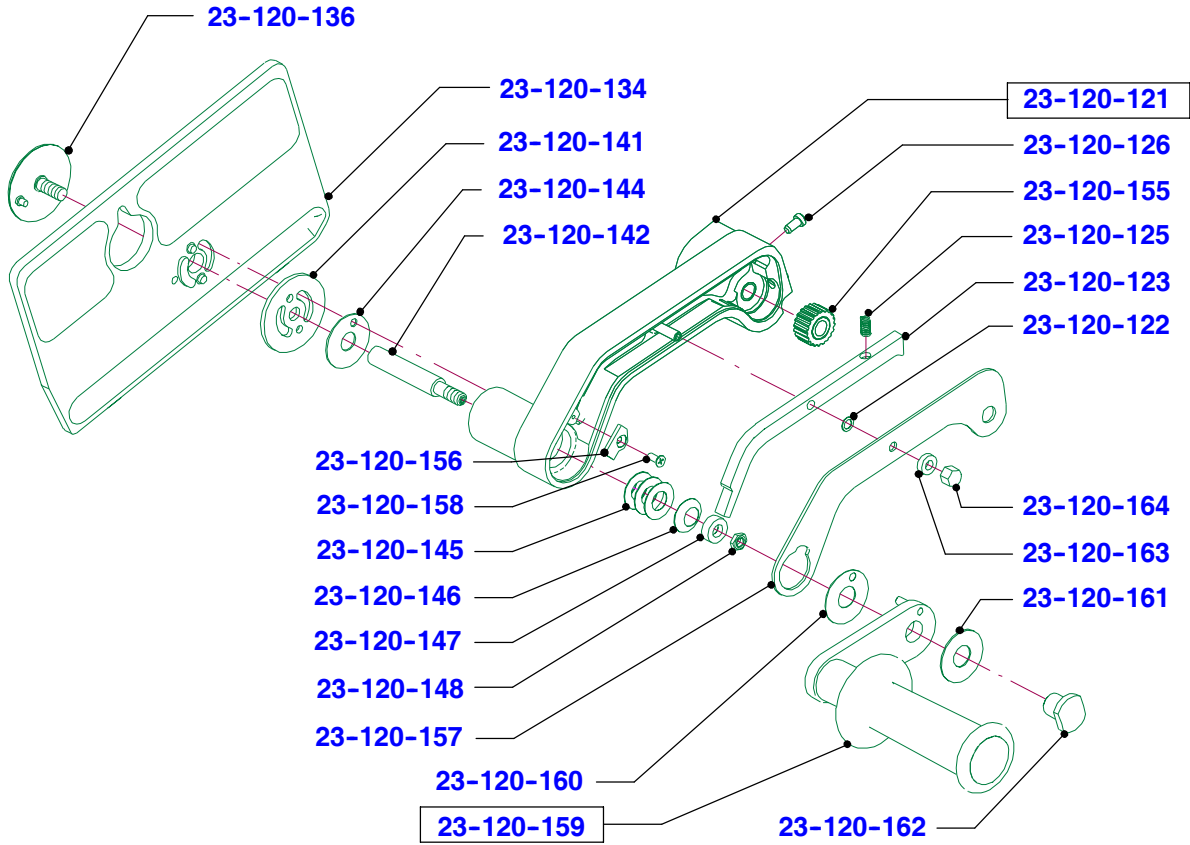
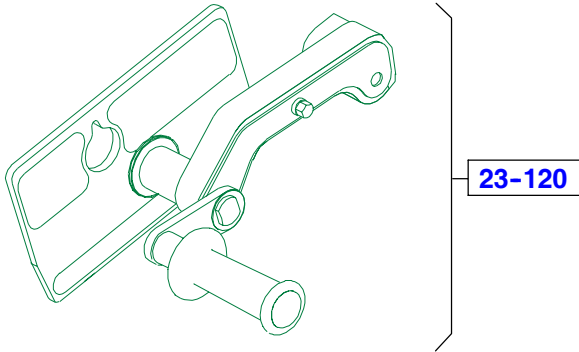
Guide, pre-mounted



Carriage

Carriage inclination 18°, Low - Clamping carriage

Slider guard + lever

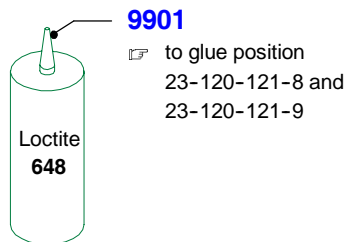
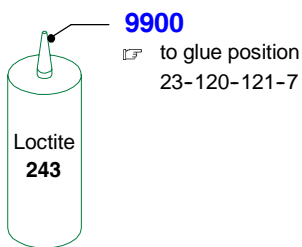
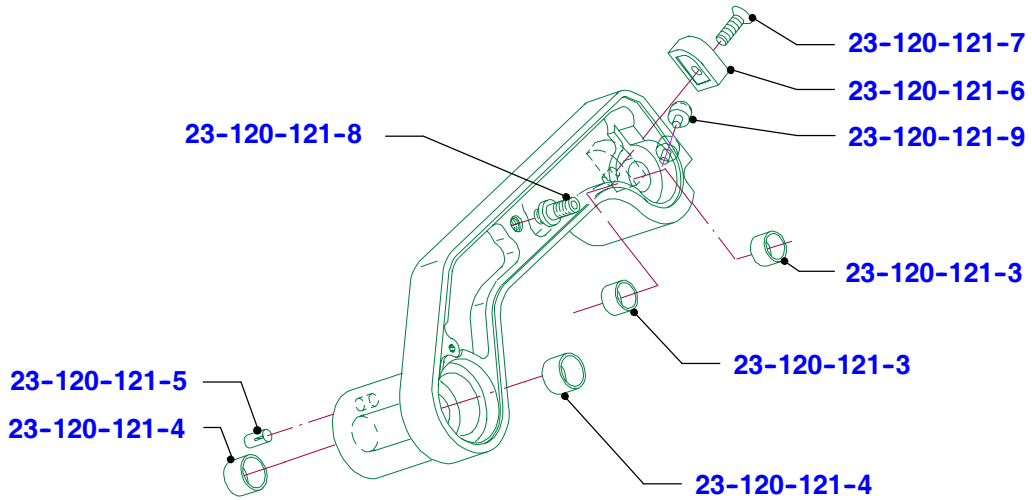
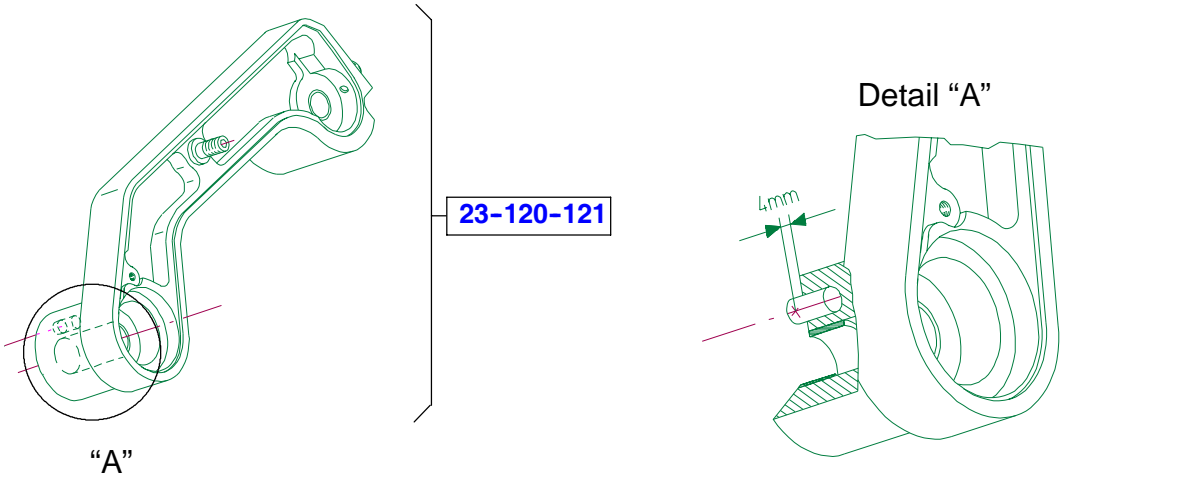


4

Carriage

Carriage inclination 18°, Low - Clamping carriage

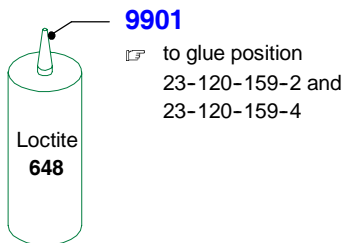
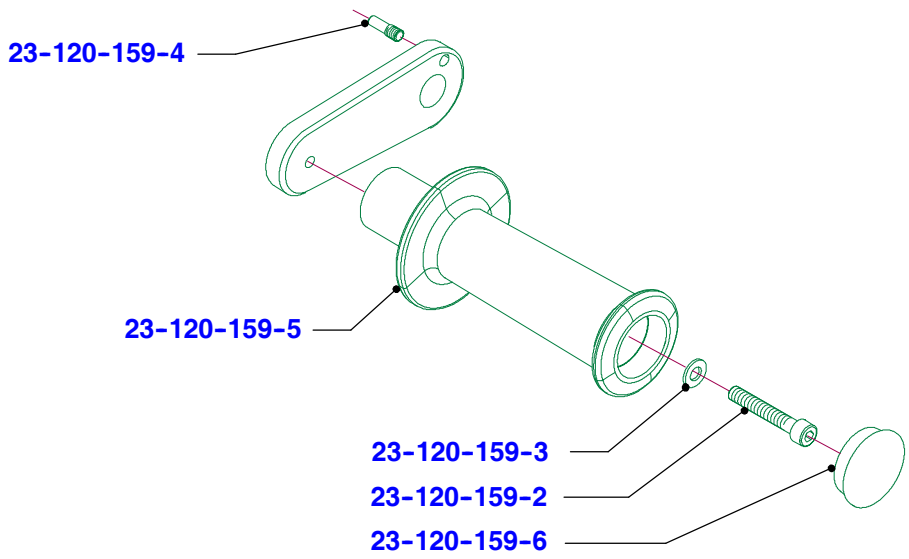
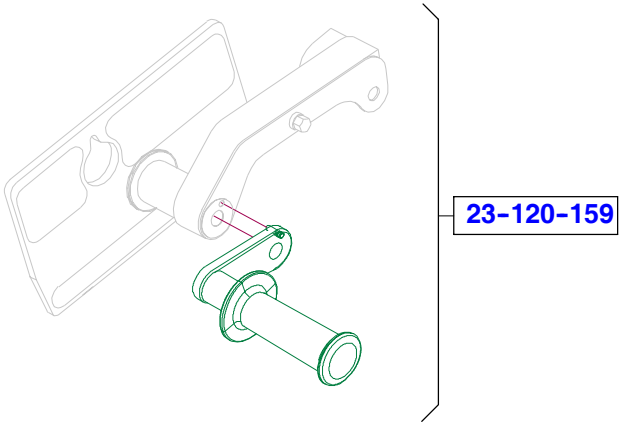
Lever, pre-mounted



Carriage

Carriage inclination 18°, Low - Clamping carriage

Level extension, mounted

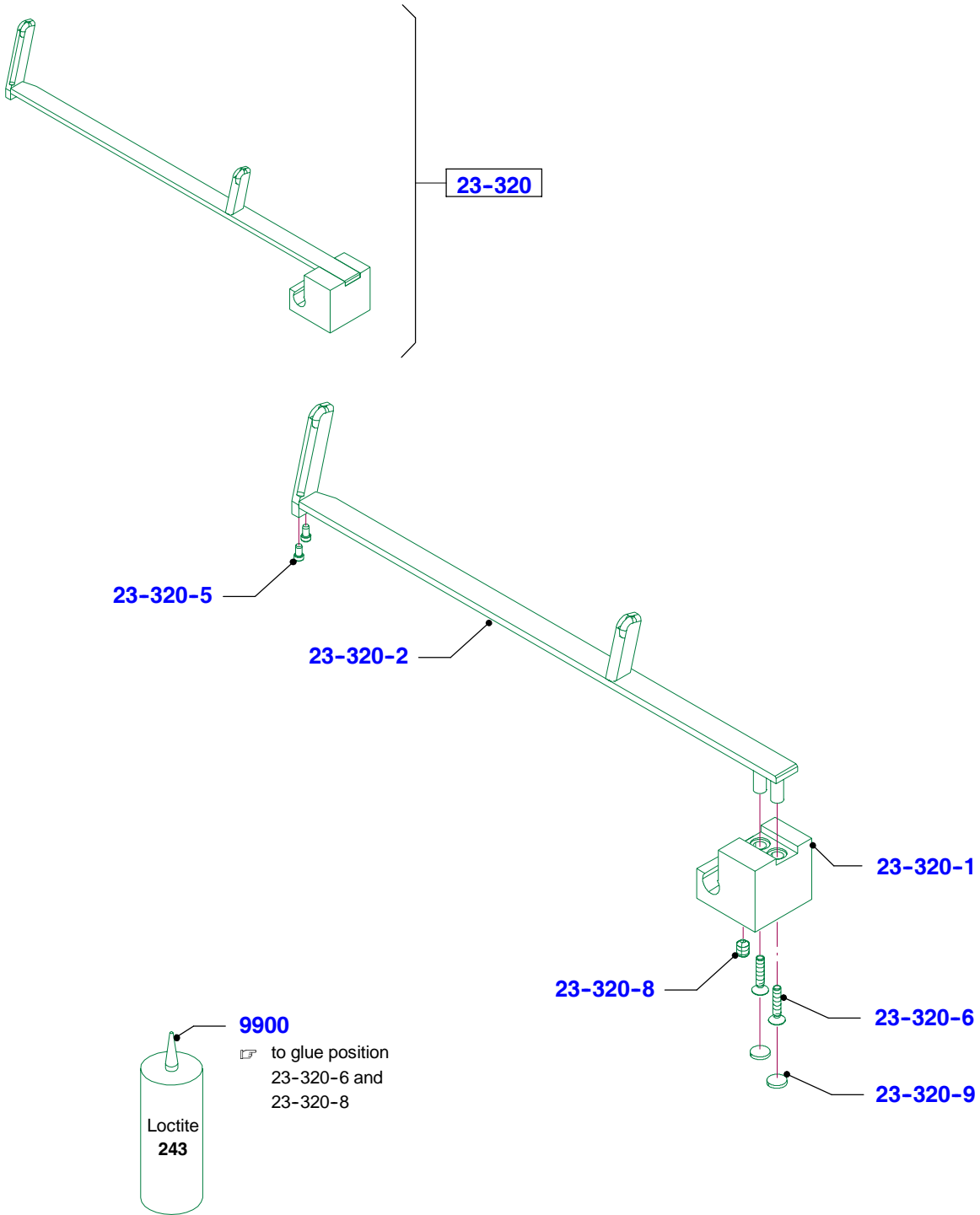


4

Carriage

Carriage inclination 18°, Low - Clamping carriage

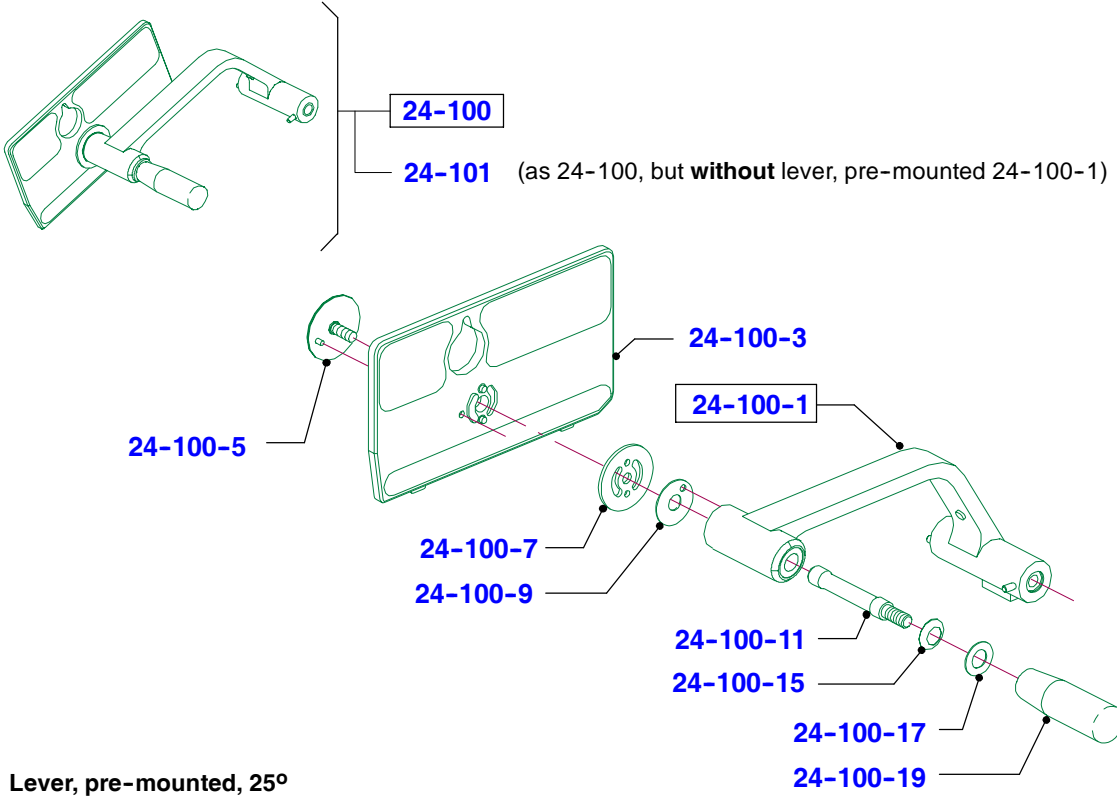
Product fixation, mounted



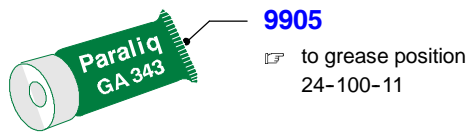
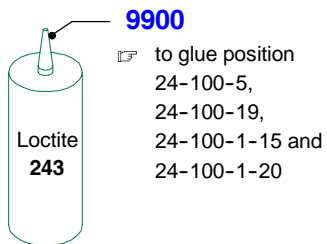
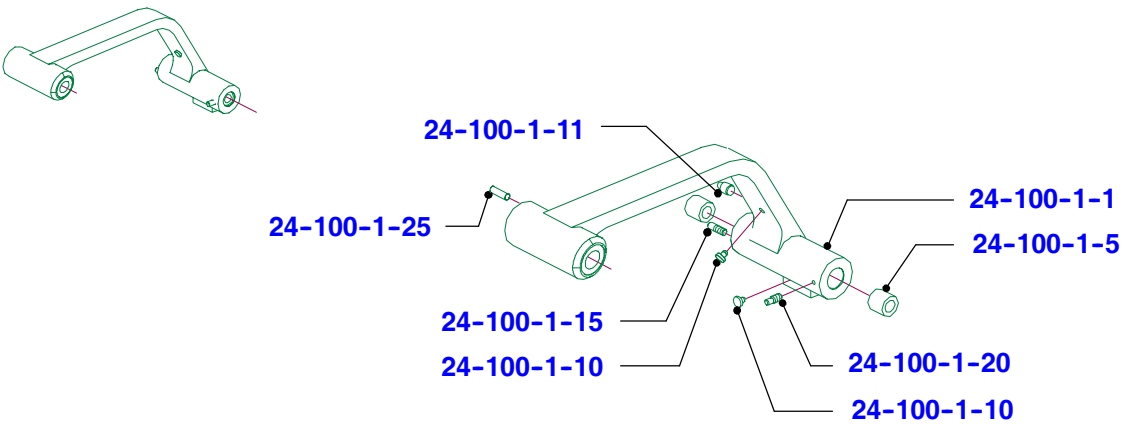
Carriage

Carriage inclination 25°: Low, High USA, High USA Alu RW, High USA Grivory RW

Slider guard + lever

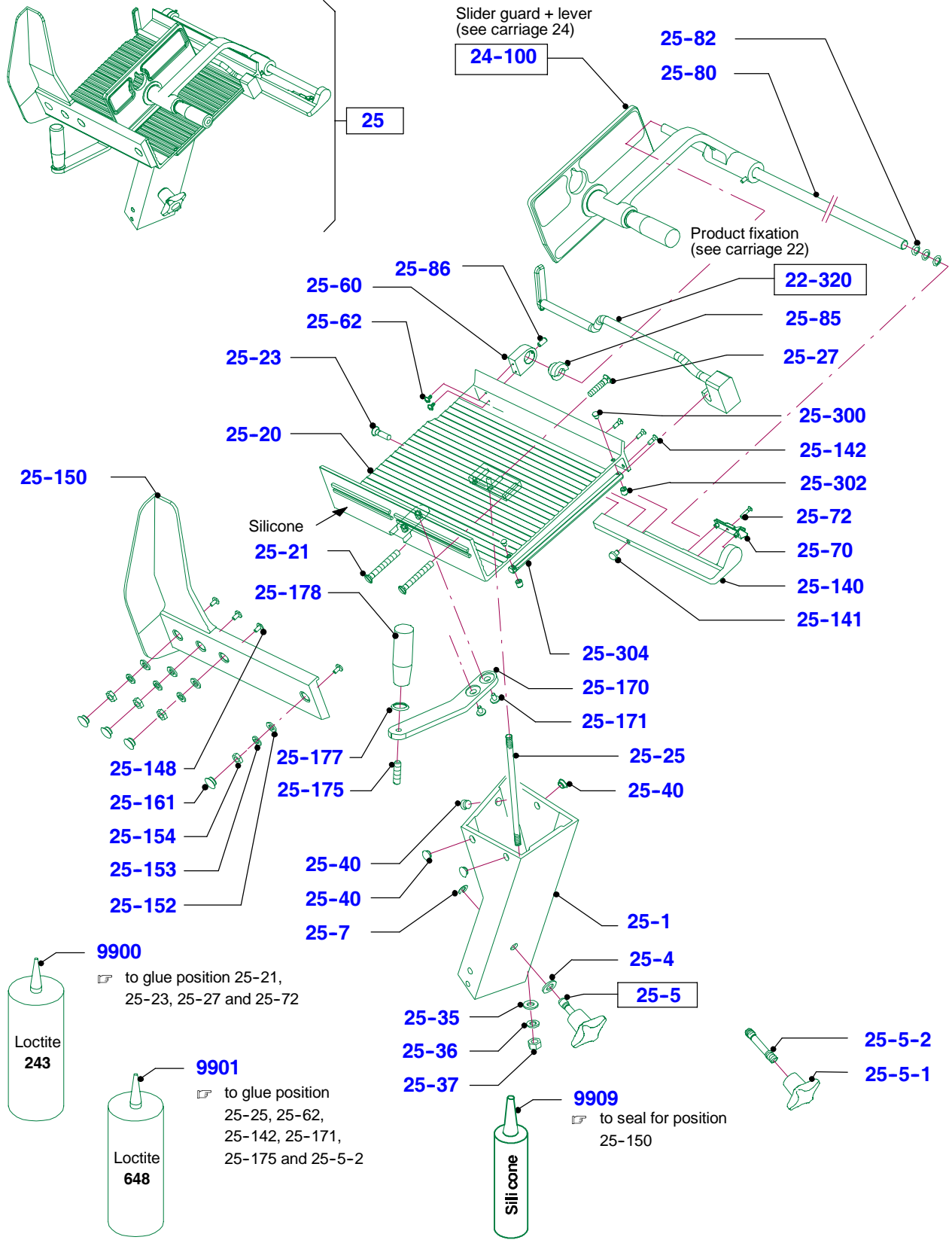


Lever, pre-mounted, 25°



Carriage

Carriage inclination 25°, High

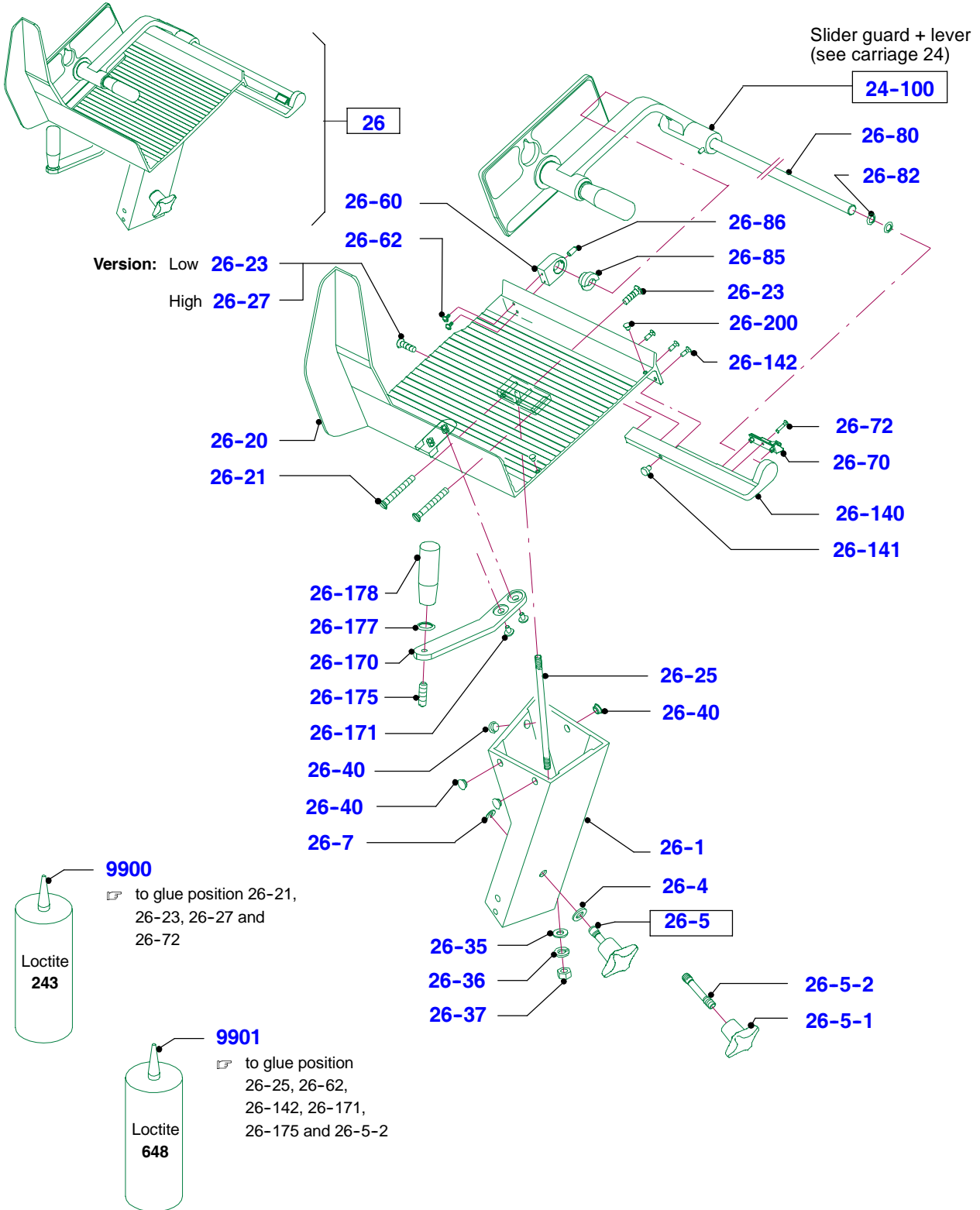


4

Carriage

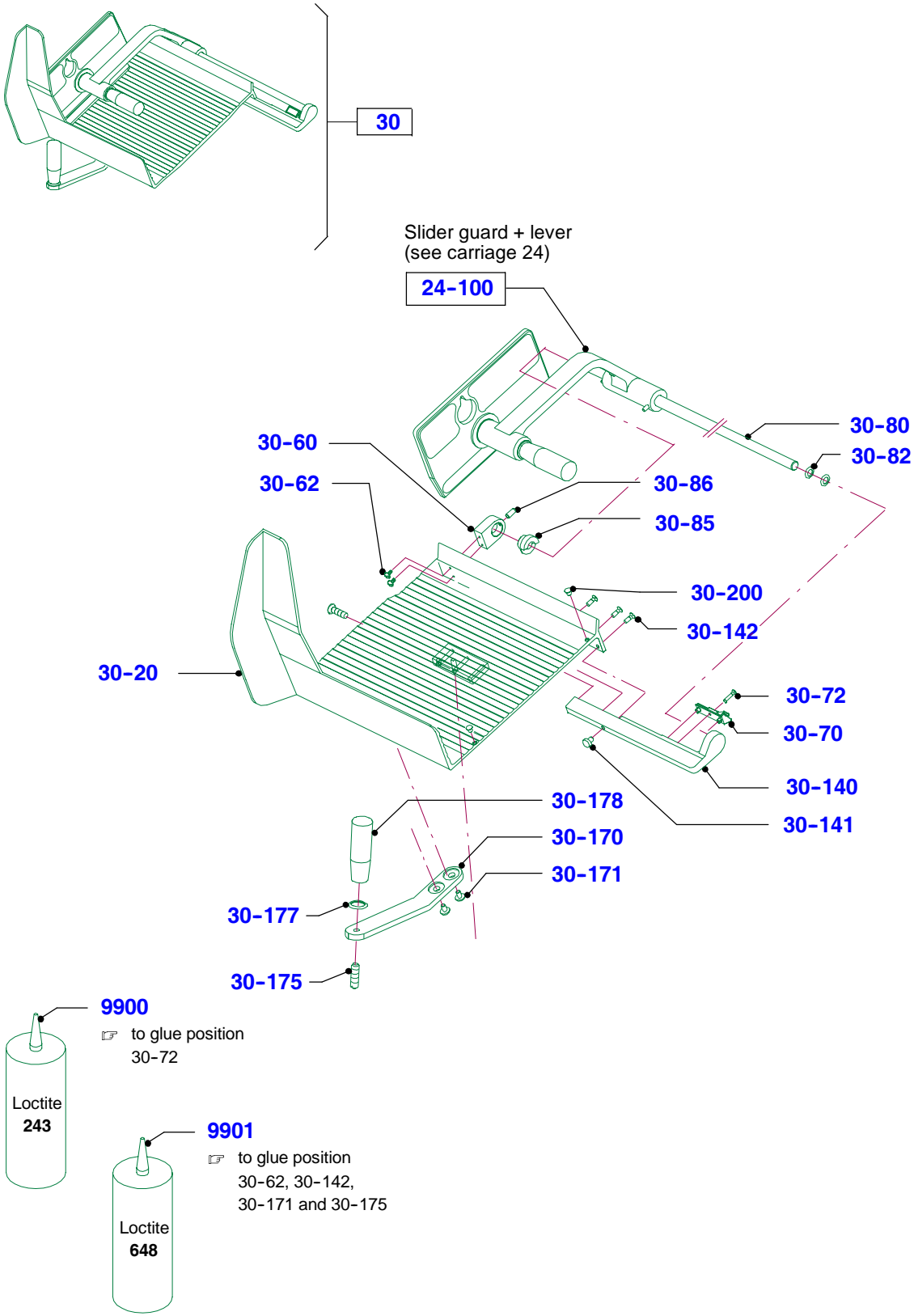
Carriage inclination 25°

Low CAN Alu welded, High CAN Alu welded, High USA Alu welded



Carriage

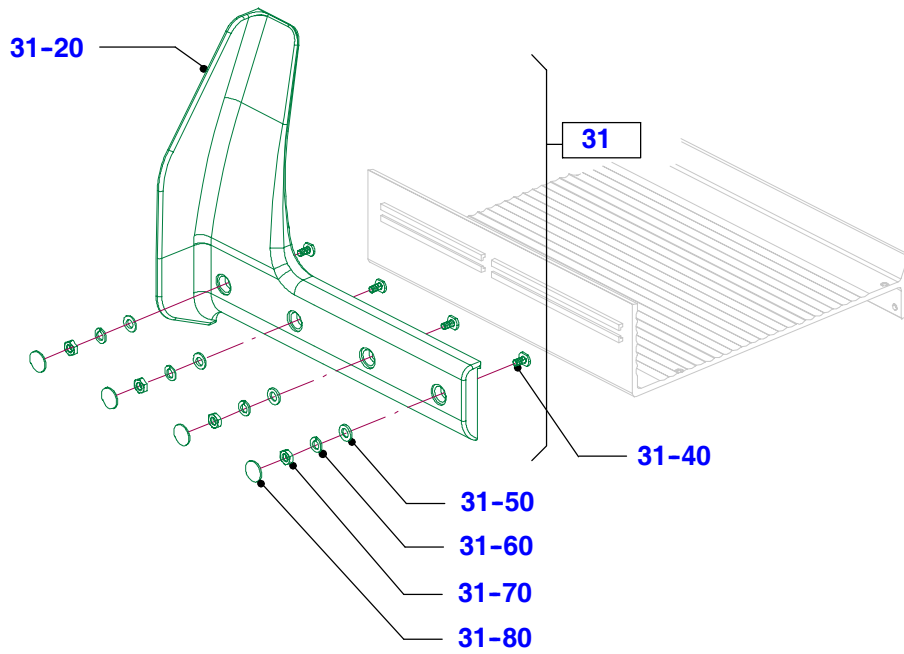
Retrofitting set, one-part 25°- alu carriage



4

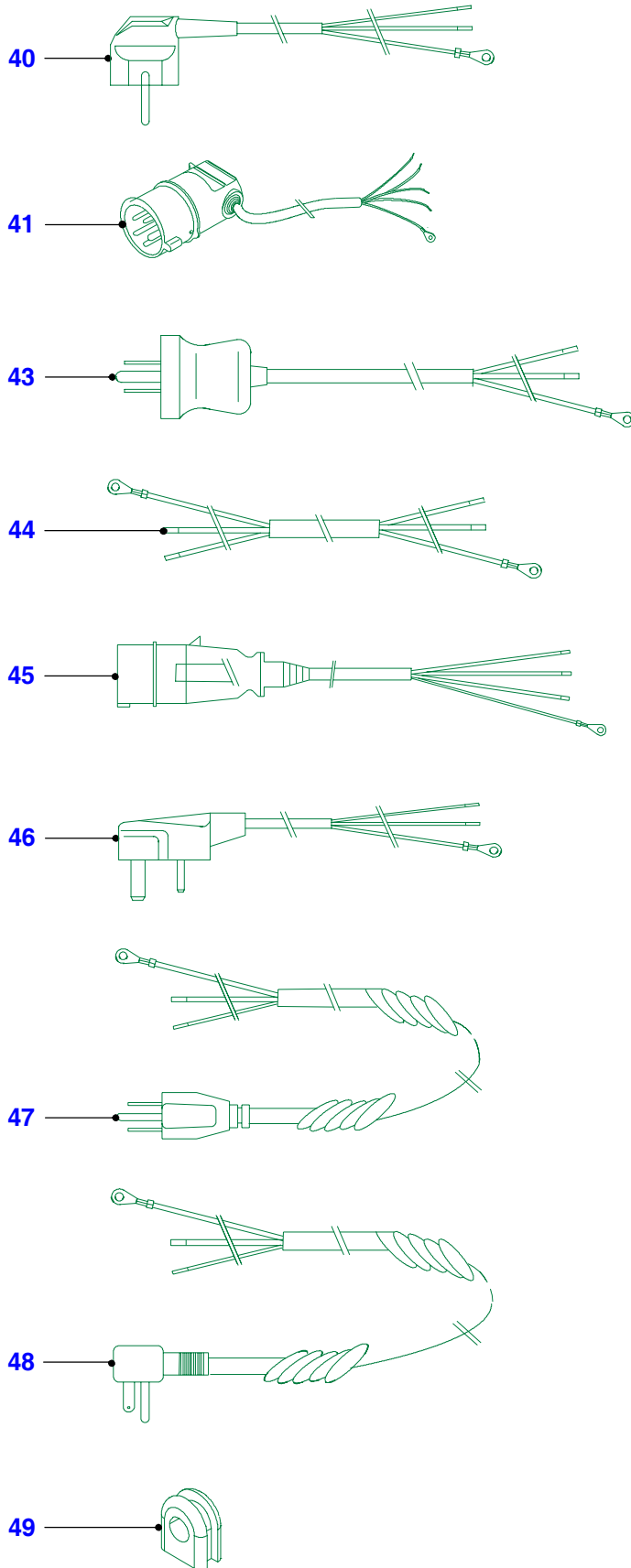
Carriage

Retrofitting set rear wall Lexan to Alu



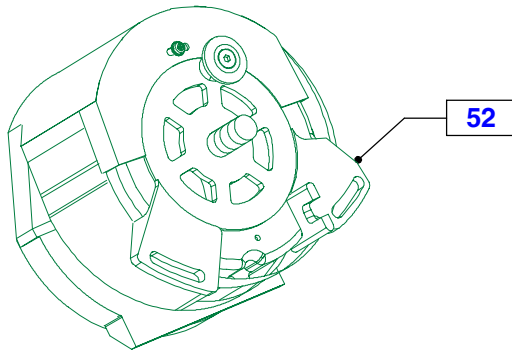
9909
to seal for position
31-20

Cables

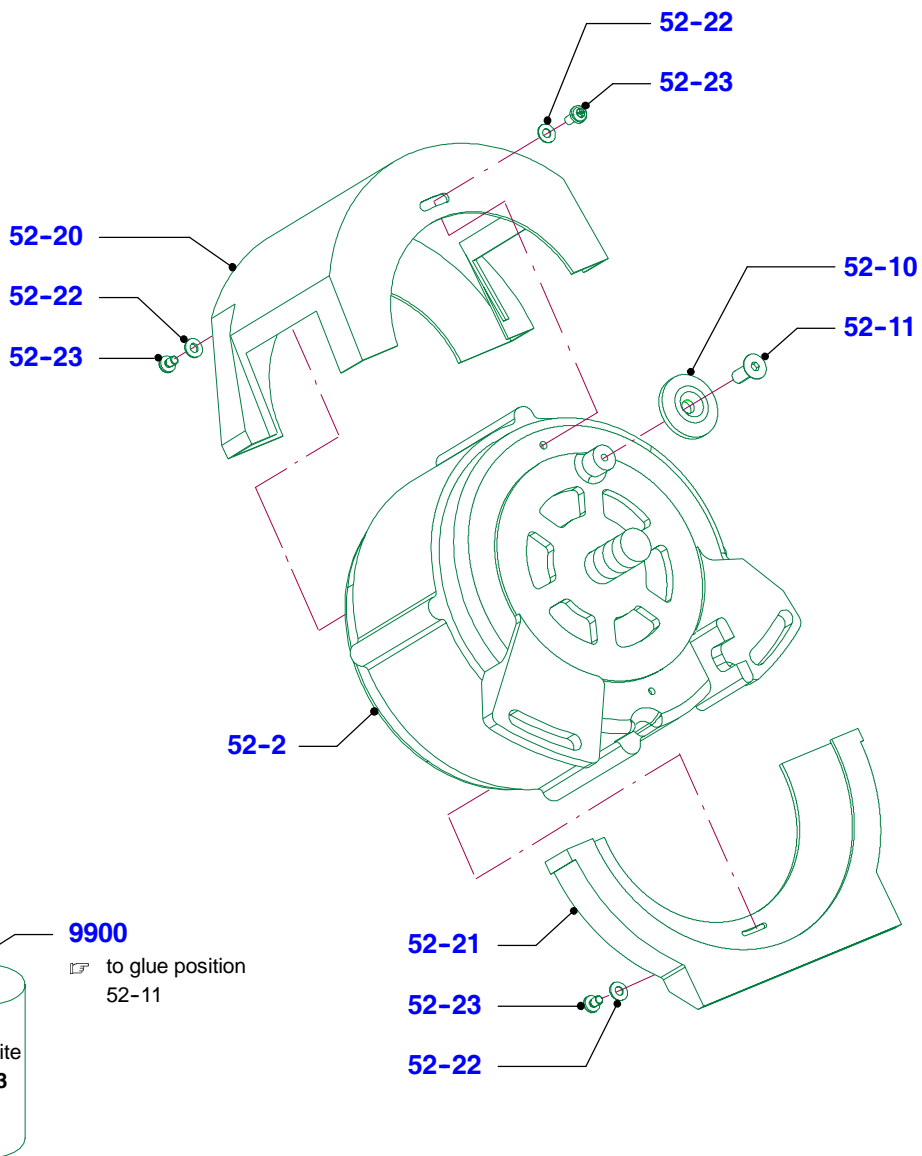
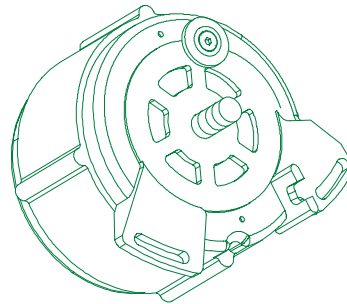


Built-in motor

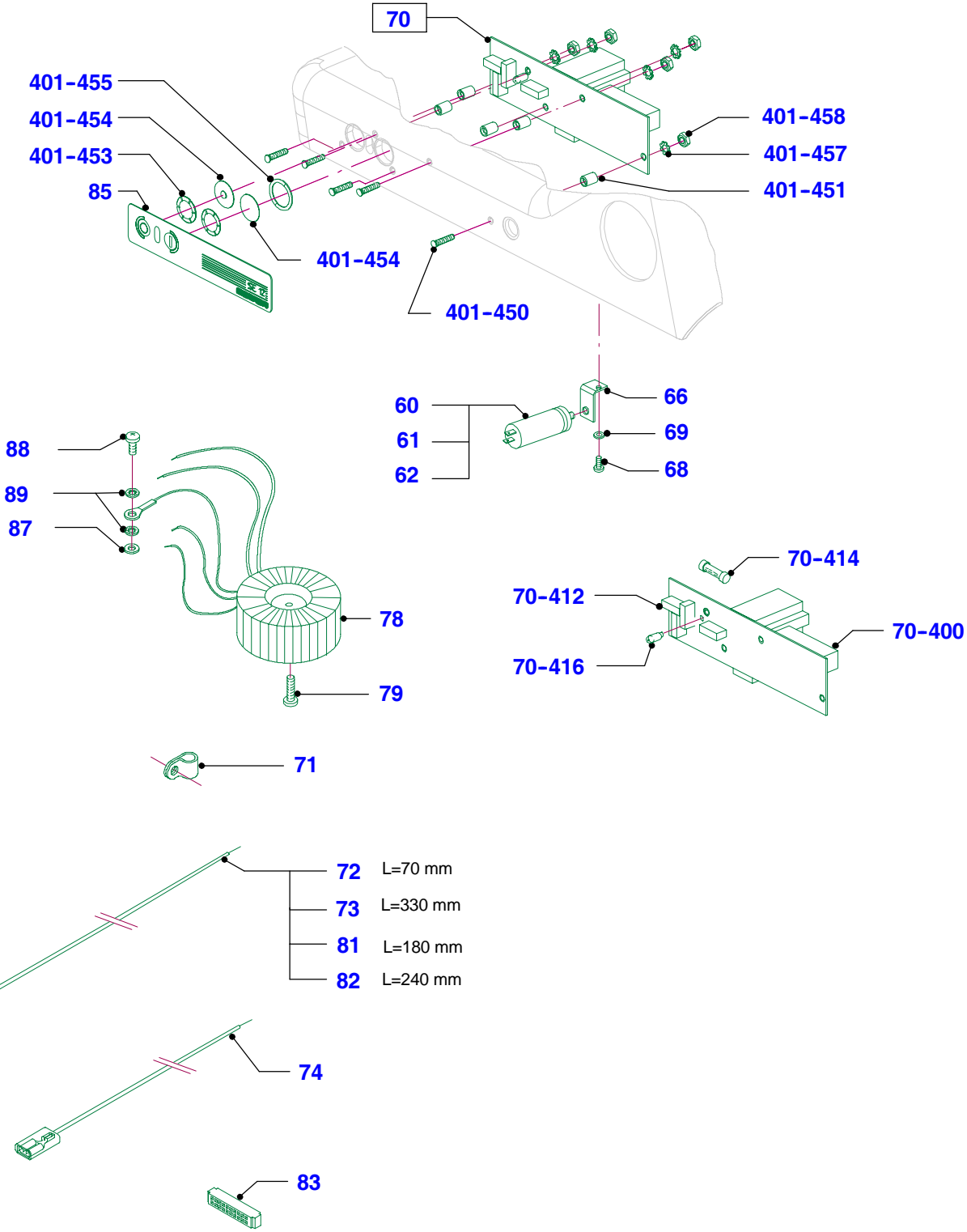
Standard



WR - Water Resistant



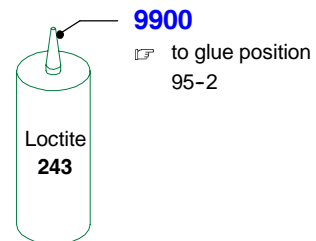
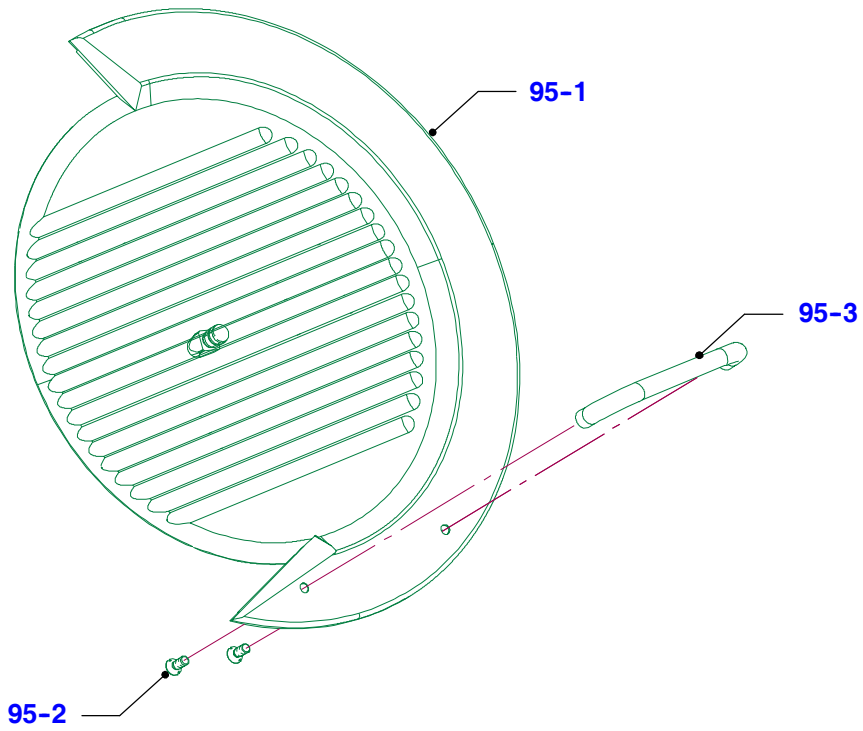
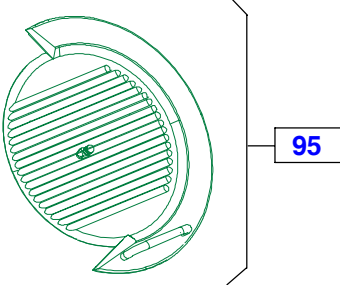
LPB ON-OFF, decorative film, transformer, capacitor and strands



4

Blade cover

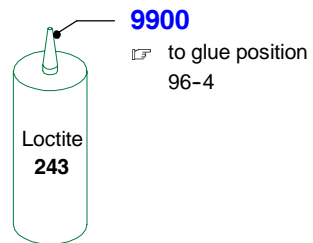
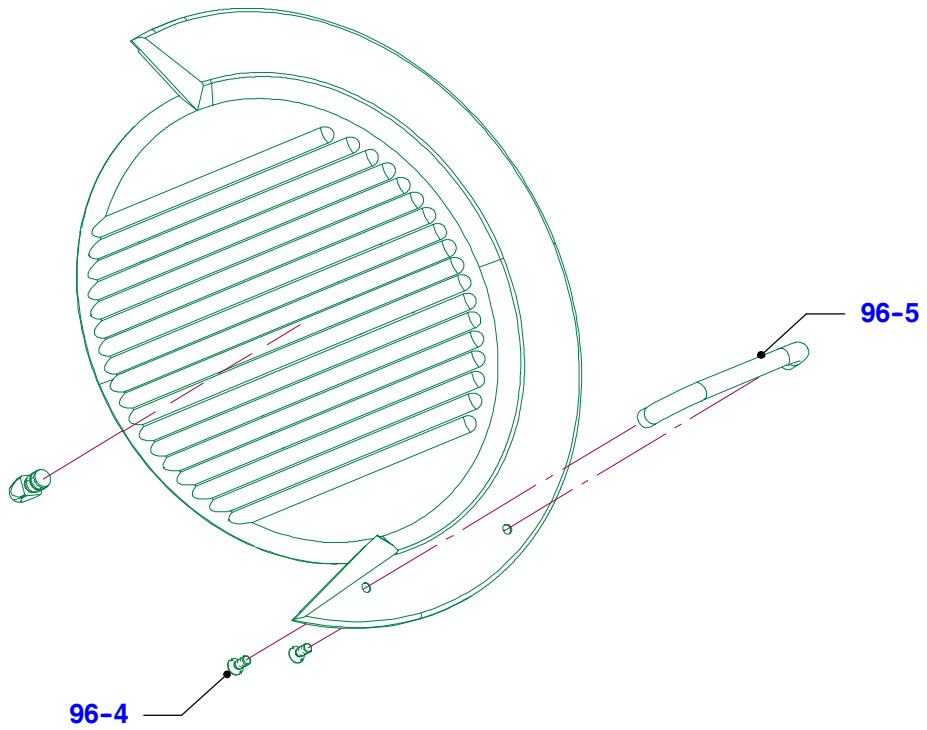
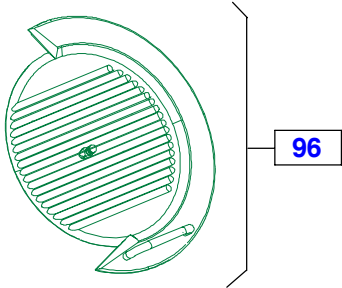
Central fastening, Teflon



4

Blade cover

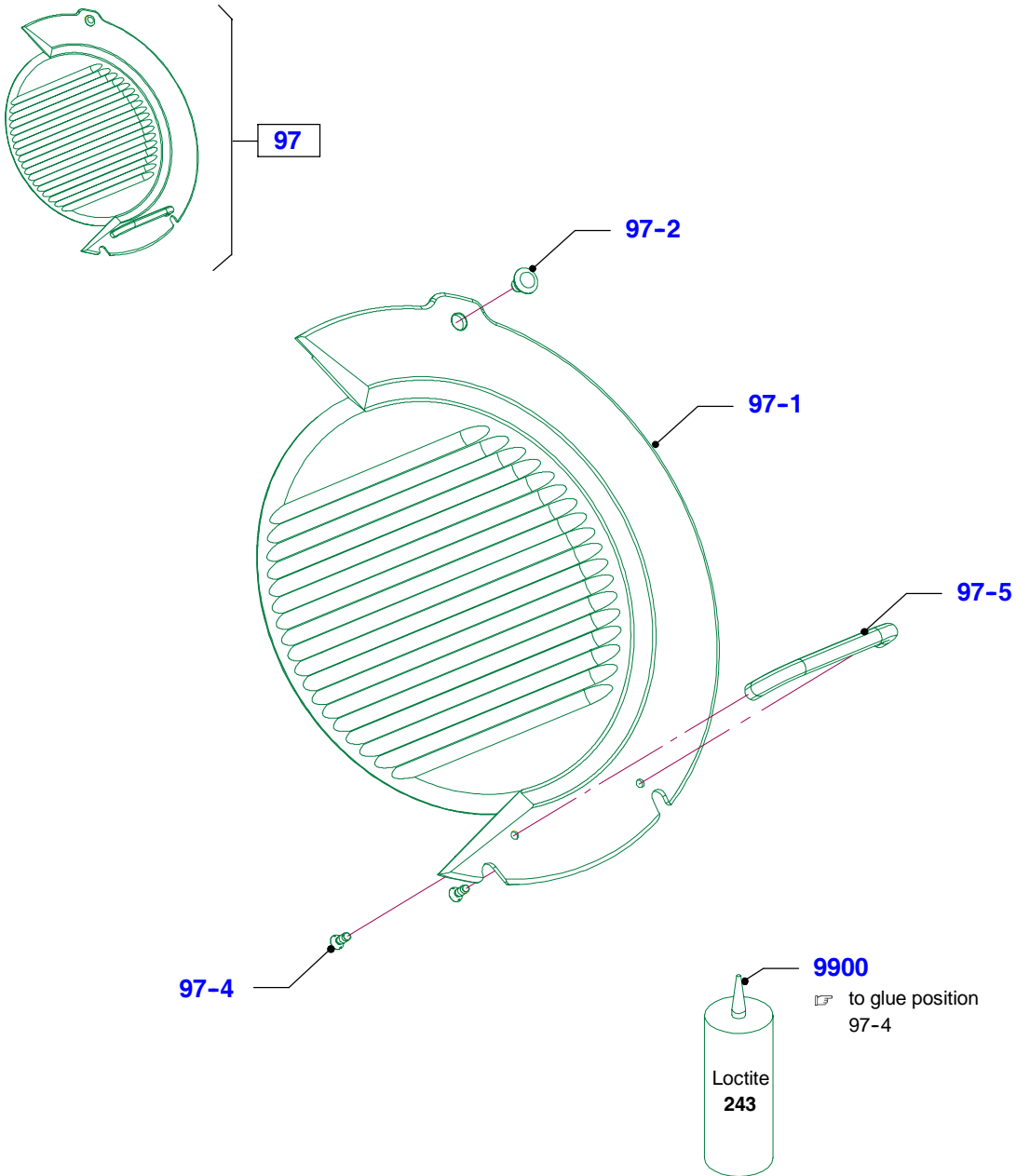
Central fastening, for blade 330mm and 350 mm



4

Blade cover

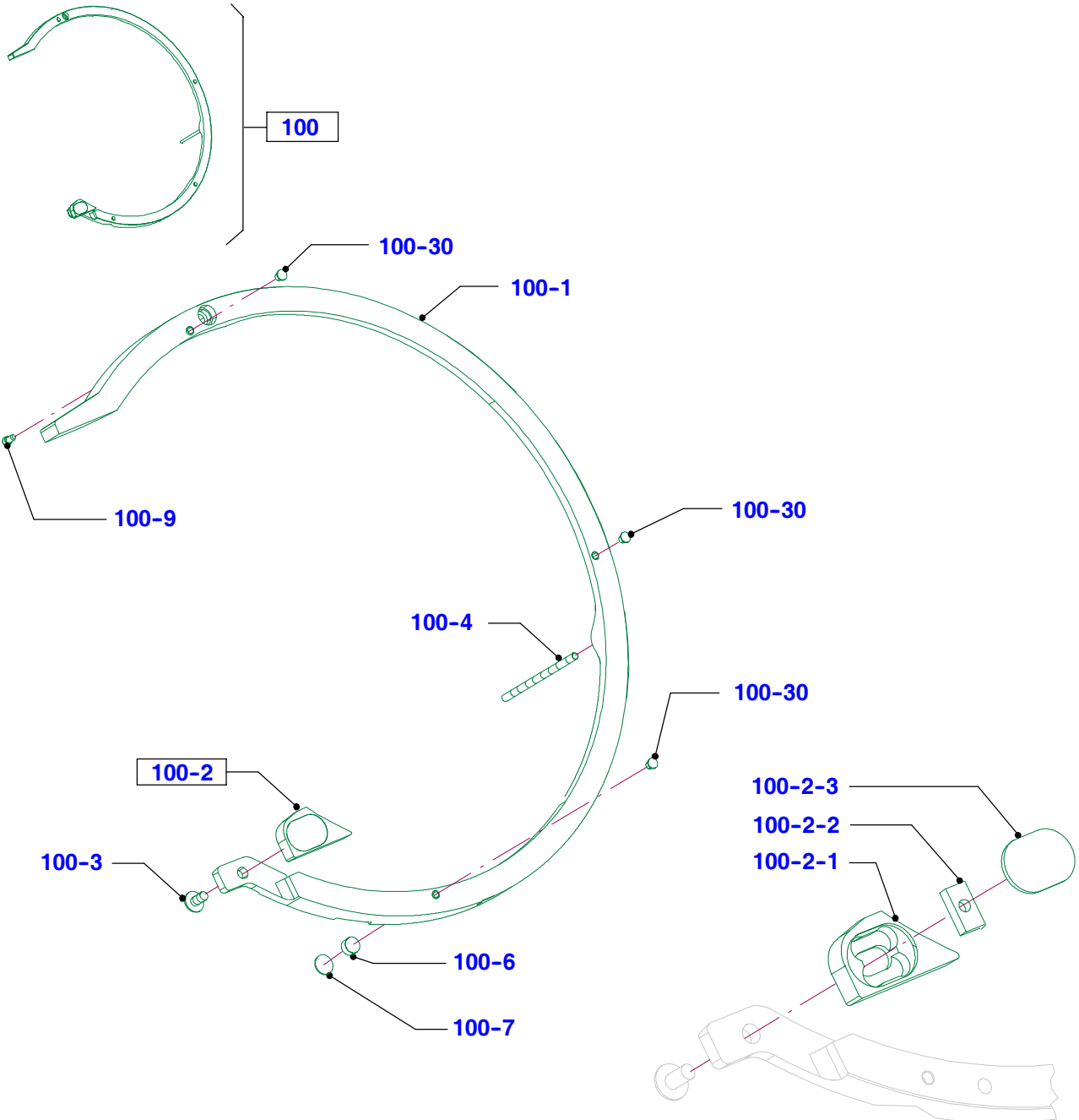
Decentral fastening, for blade 330mm and 350 mm



4

Blade guard ring

Carriage inclination 0°,
with product supporter, blade cover **centrally** fastened, up to device-no. 10413573



9900
to glue position
100-4

Loctite
243

9902
to glue position
100-7

Loctite
638

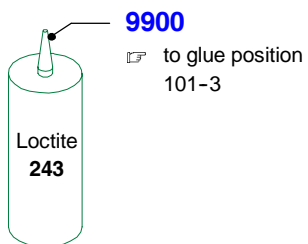
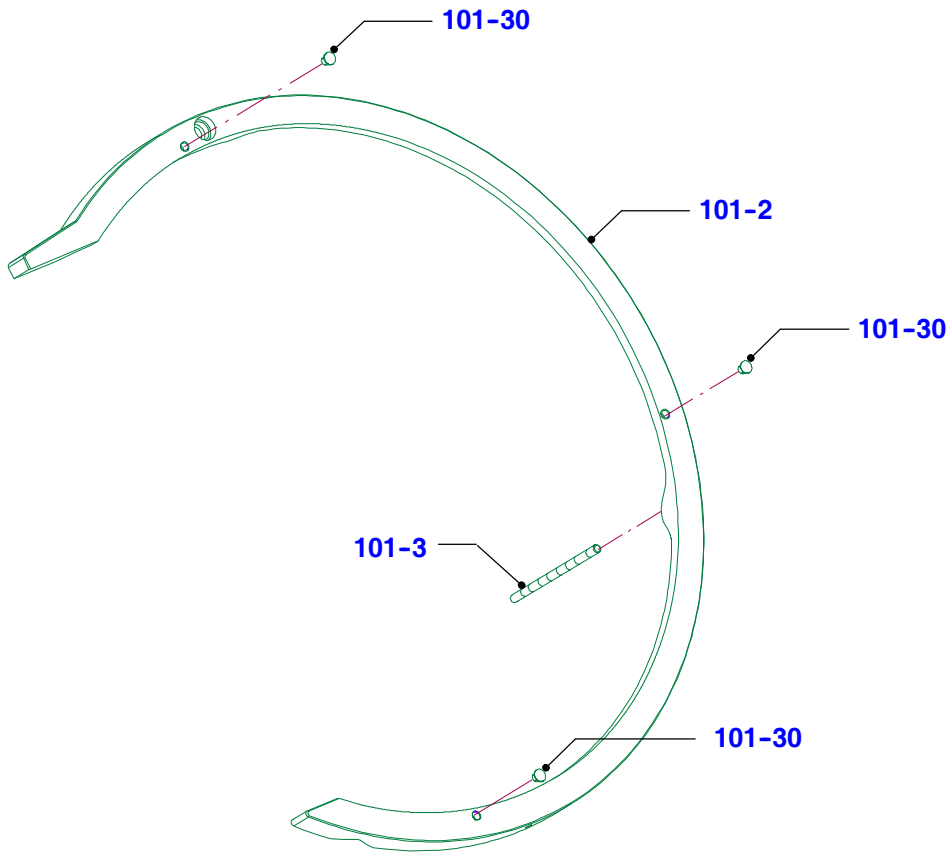
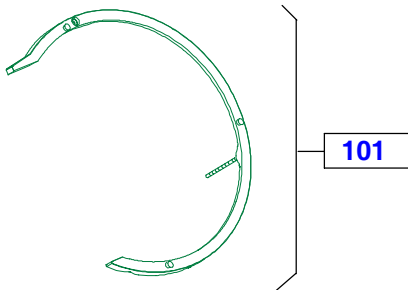
9901
to glue position
100-2-3

Loctite
648

Blade guard ring

Carriage inclination 18° Low, 25° Low, 25° High and 18°/25°

Blade cover **centrally fastened**, up to device-no. 10413573

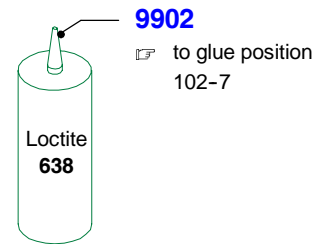
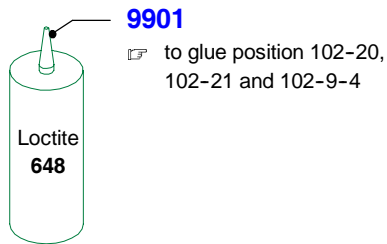
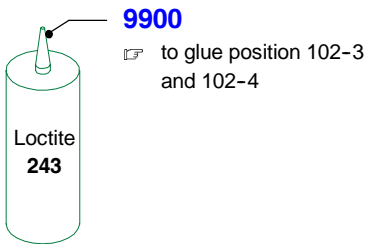
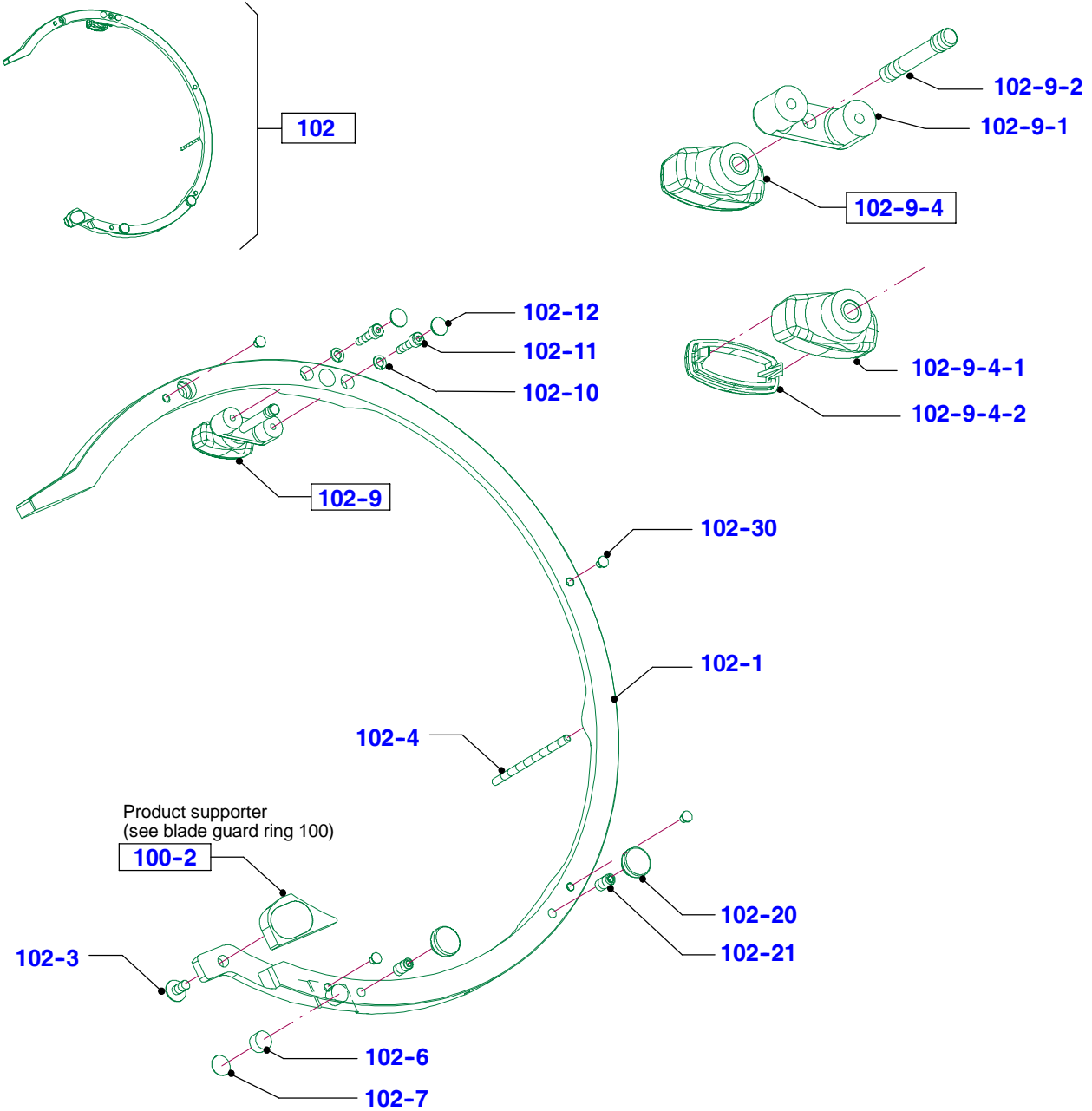


to glue position
101-3

Blade guard ring

Carriage inclination 0°,

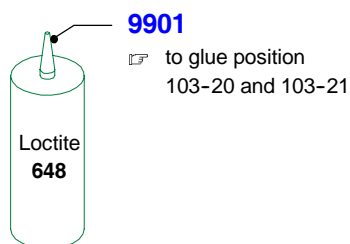
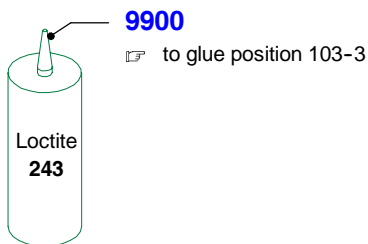
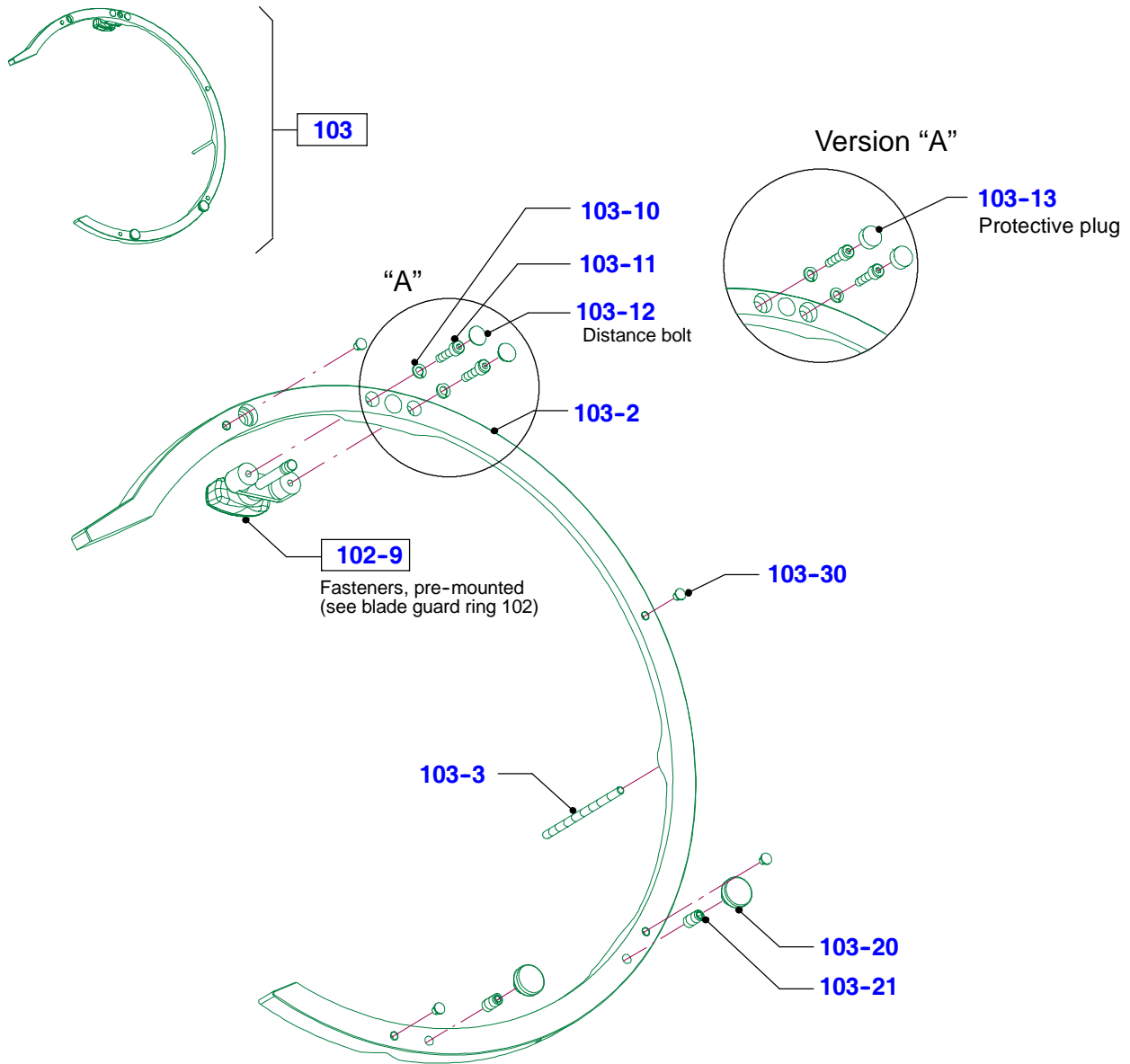
with product supporter, blade cover *decentrally* fastened, from device-no. 10413574



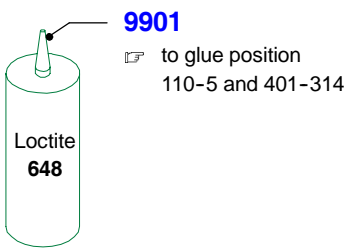
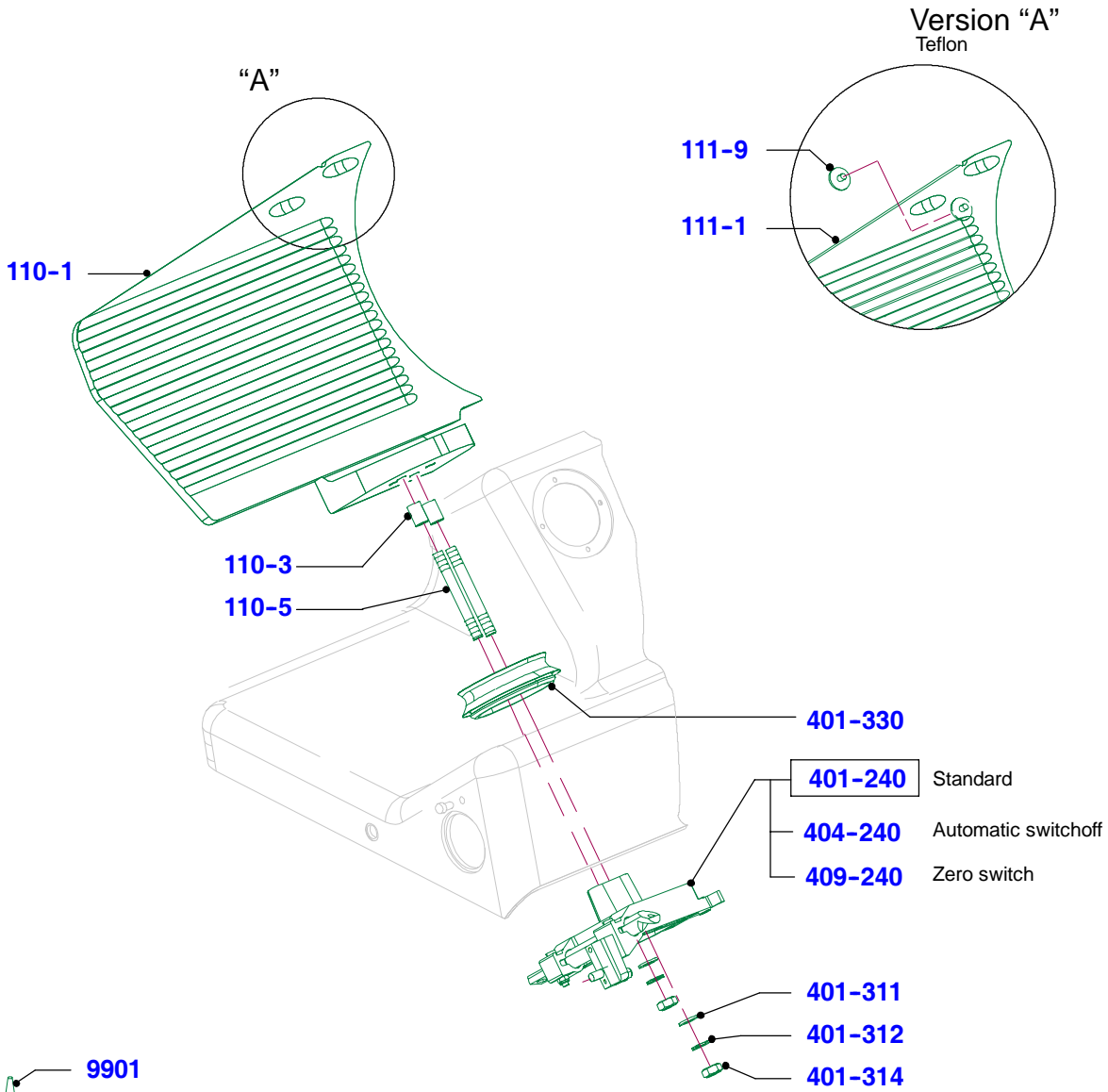
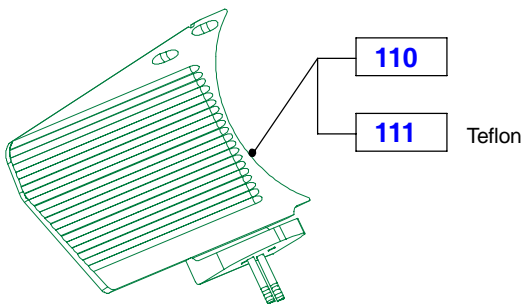
4

Blade guard ring

Carriage inclination 18° Low, 25° Low, 25°, 25° High and 18°/25°, blade 330 and 350 mm
without product supporter, blade cover **decentrally** fastened, from device-no. 10413574

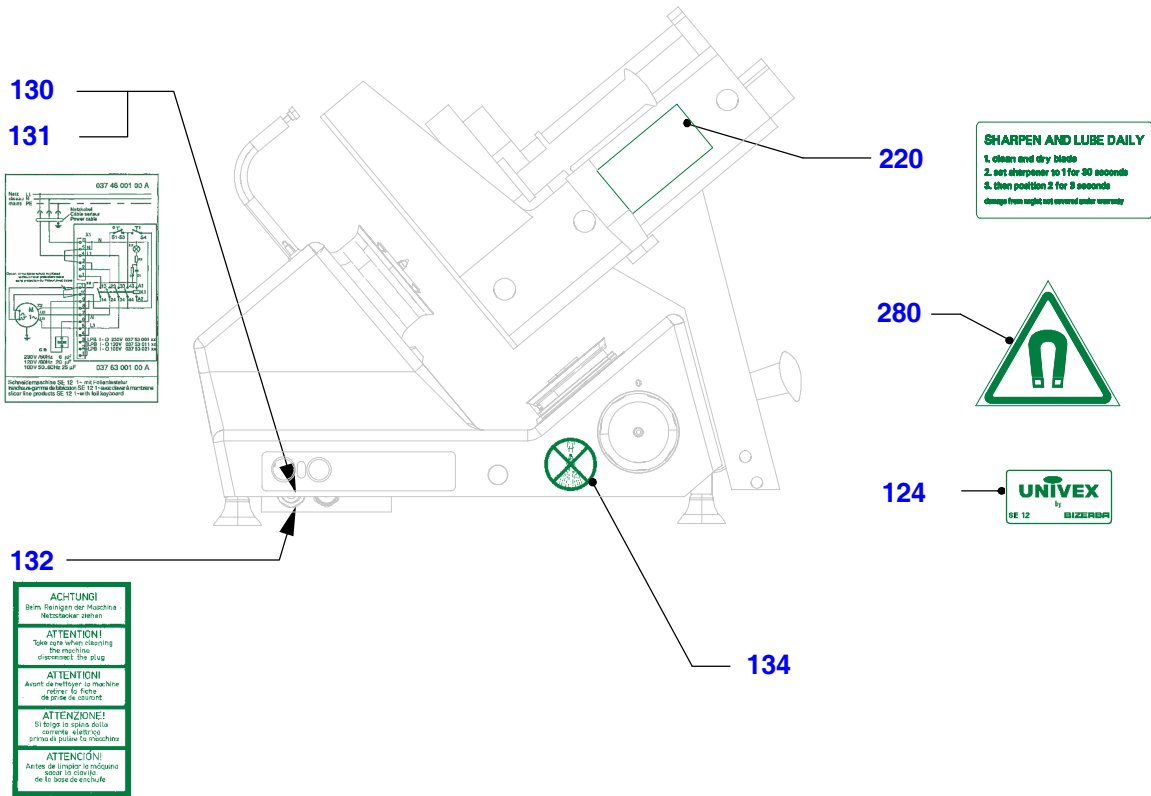
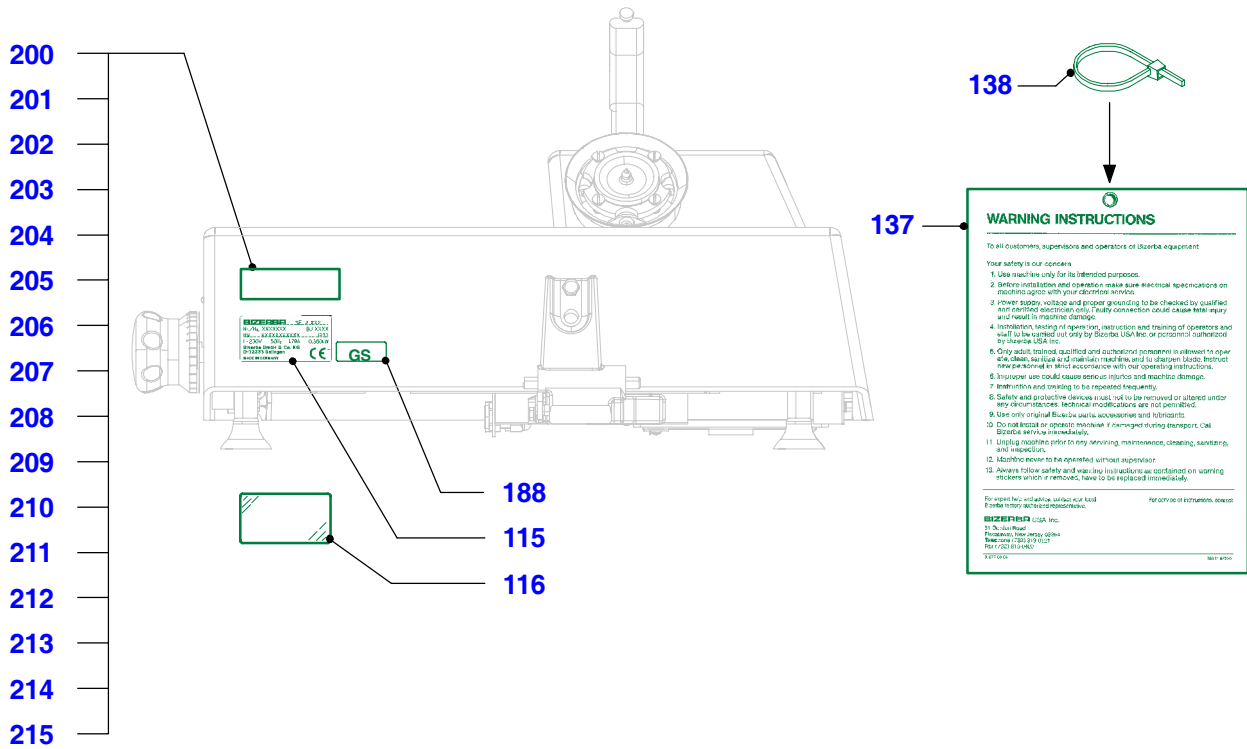


Gauge plate

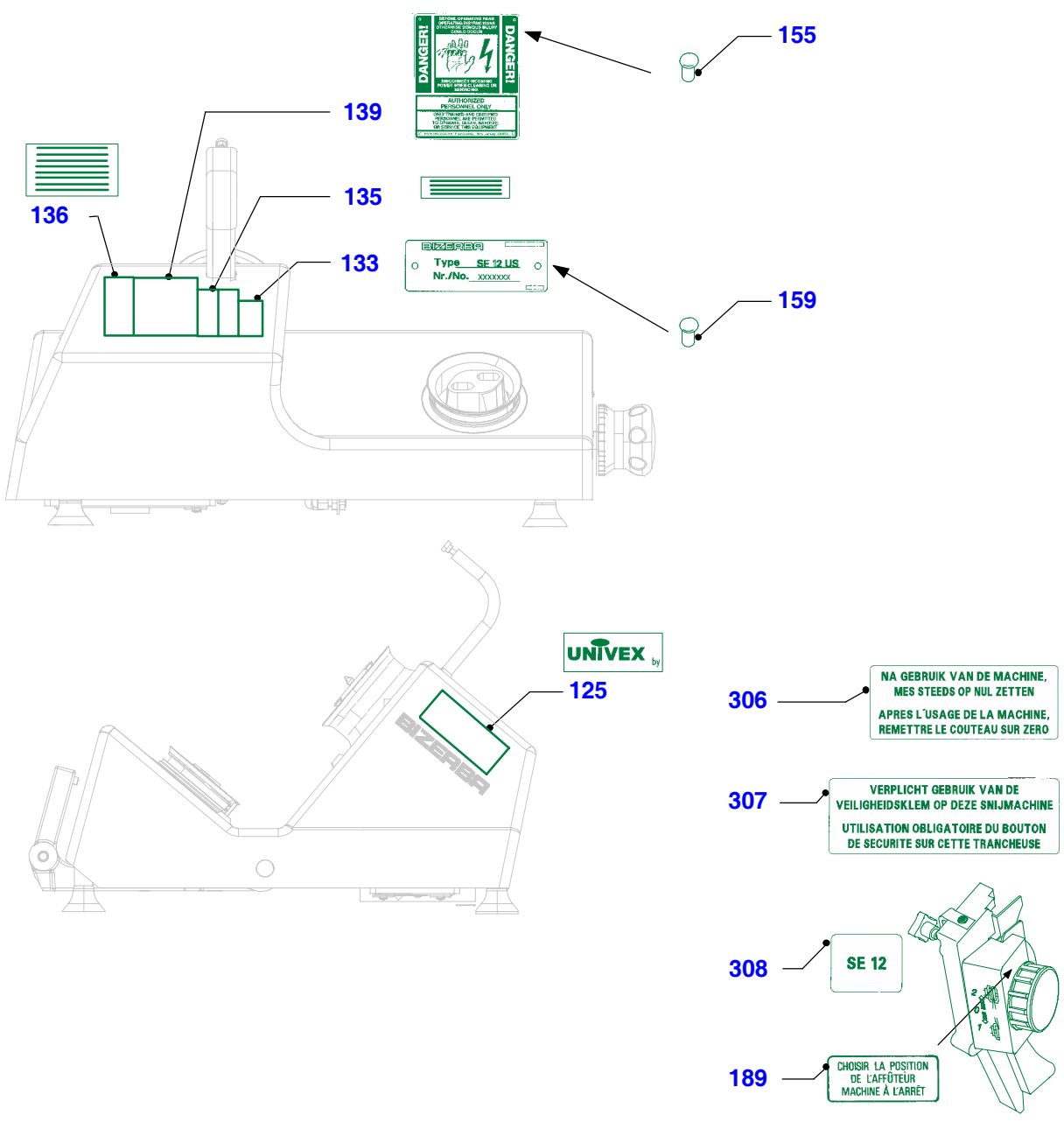


4

Signs



Signs



4

309

Trouble shooting guide page 1

Bicettes model SE-12, manual slicer

The absence of the manual slicer blade is to keep the machine working safely. Therefore, the operator should always check before starting the machine.

Problem: Slicer will not sharpen. Knife used for SE-12 and SE12.

1. Are you following the instructions in the manual correctly?
2. Check the serial number on the manual slicer matches the serial number of the slicer.
3. Is the manual slicer blade correctly installed?
4. Are the screws tight and dry?
5. Are the blades being sharpened correctly?
6. Are the blades being sharpened at 90 degrees to position 1, 2 seconds in position 2.

Fix: In all of the above the operator may need to be adjusted in the manual slicer. Call our service center!

Problem: Slicer does not turn on.

1. Is the plug grounded?
2. Is the cable to the wall working?
3. Is the manual slicer and the slicer correctly connected to the power source?

Fix: In any of the above you need to call your service provider.

Problem: Change plate does not work.

1. Is the change plate used in the correct position? Close and lock carriage.

Fix: The carriage is then closed and locked and change plate does not open till your service provider.

Problem: Carriage will not close when using manual slicer.

1. Is the manual slicer correctly installed?
2. Is the screw that holds the carriage fast completely loose.
3. Is the screw that holds the carriage fast completely loose.

Fix: If the screw is not tight in the hole and the carriage will not close call your service provider.

Models model SE-12, manual slicer troubleshooting guide Page 2

Problem: Product does not move freely.

1. Is the product free from debris and jammed? Clean and fix.
2. Is the product free from debris and jammed? Clean and fix.
3. Is the product free from debris and jammed? Clean and fix.
4. Is the product free from debris and jammed? Clean and fix.

Fix: In any of the above call your service provider.

1. Blade	6. Blade holder
2. Blade holder	7. Blade holder
3. Blade holder	8. Blade holder
4. Blade holder	9. Blade holder
5. Blade holder	10. Blade holder

Problem: Product does not move freely.

1. Is the product free from debris and jammed? Clean and fix.
2. Is the product free from debris and jammed? Clean and fix.
3. Is the product free from debris and jammed? Clean and fix.
4. Is the product free from debris and jammed? Clean and fix.

Fix: In any of the above call your service provider.

Accessories and operating instructions

Accessories



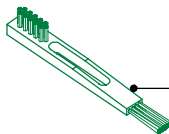
140-1



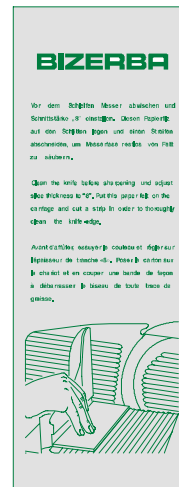
140-4



140-2



140-3



140-5

For NSF version

Cover for hexagon screws in the machine



156
SW 5



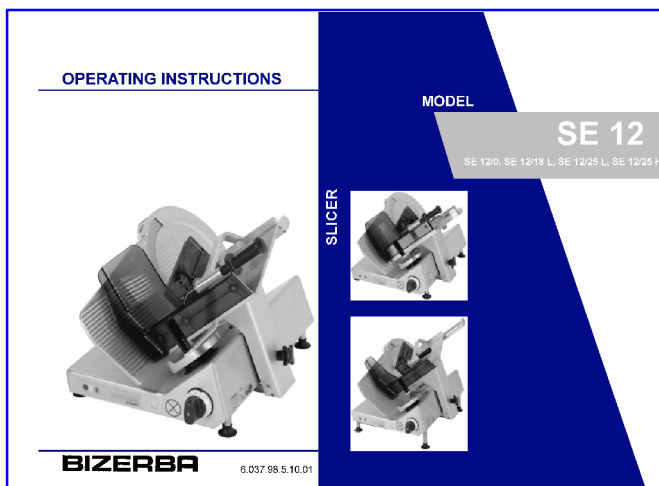
157
M8 SW 6

For locating hole under the machine



158

Operating instructions



170

171

172

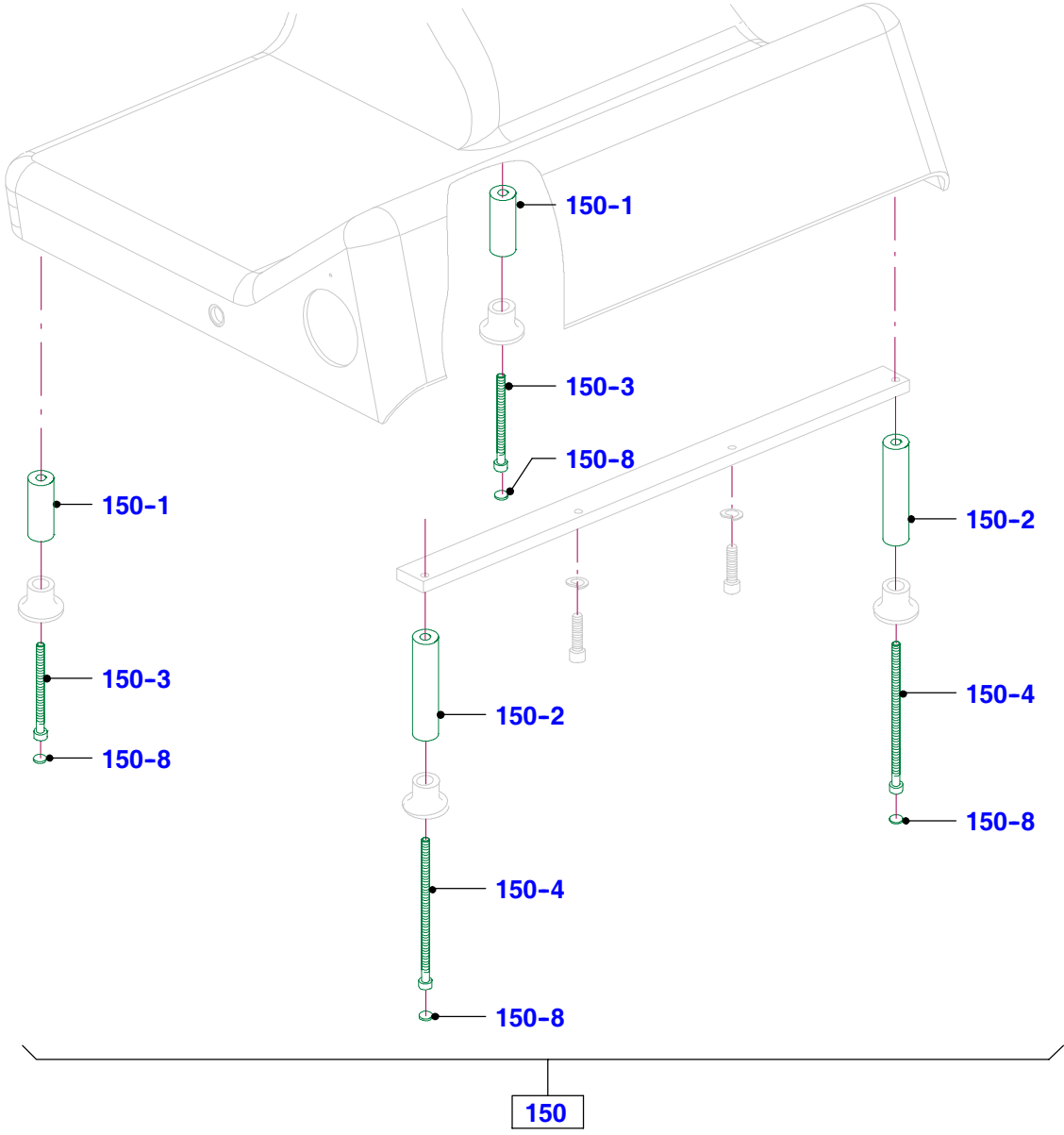
173

174

175

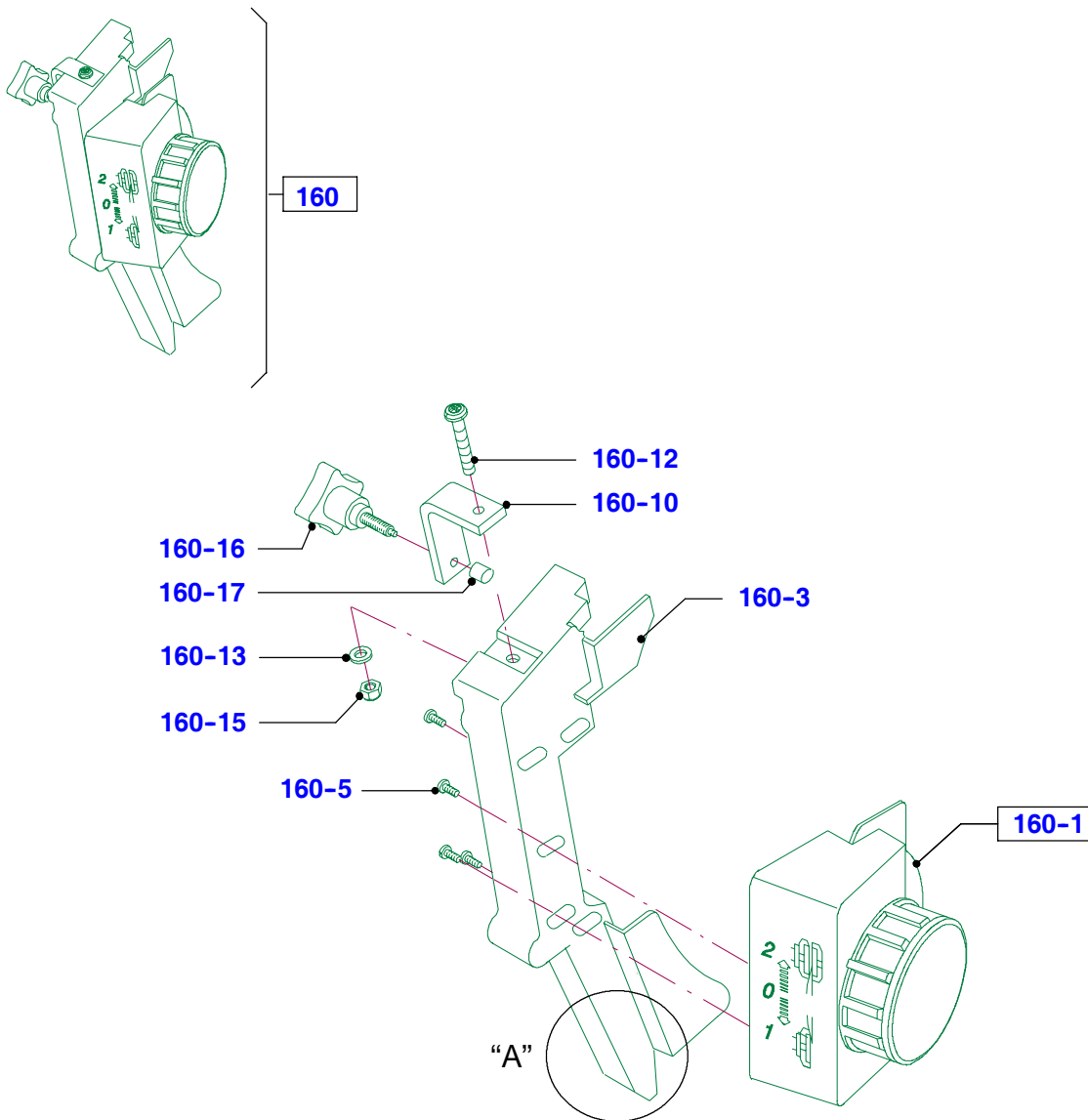
177

Accessories for elevated installation

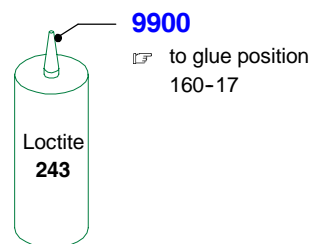
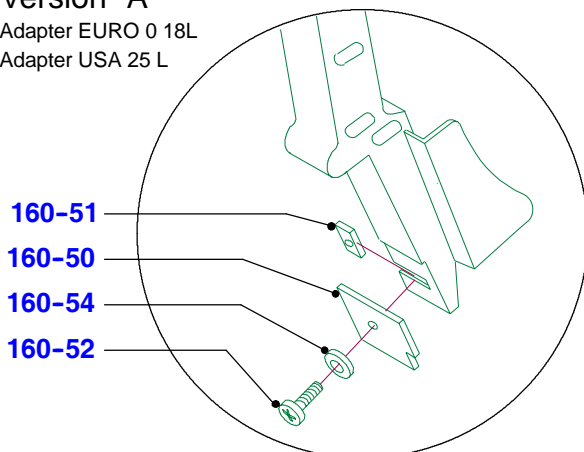


4

Sharpener

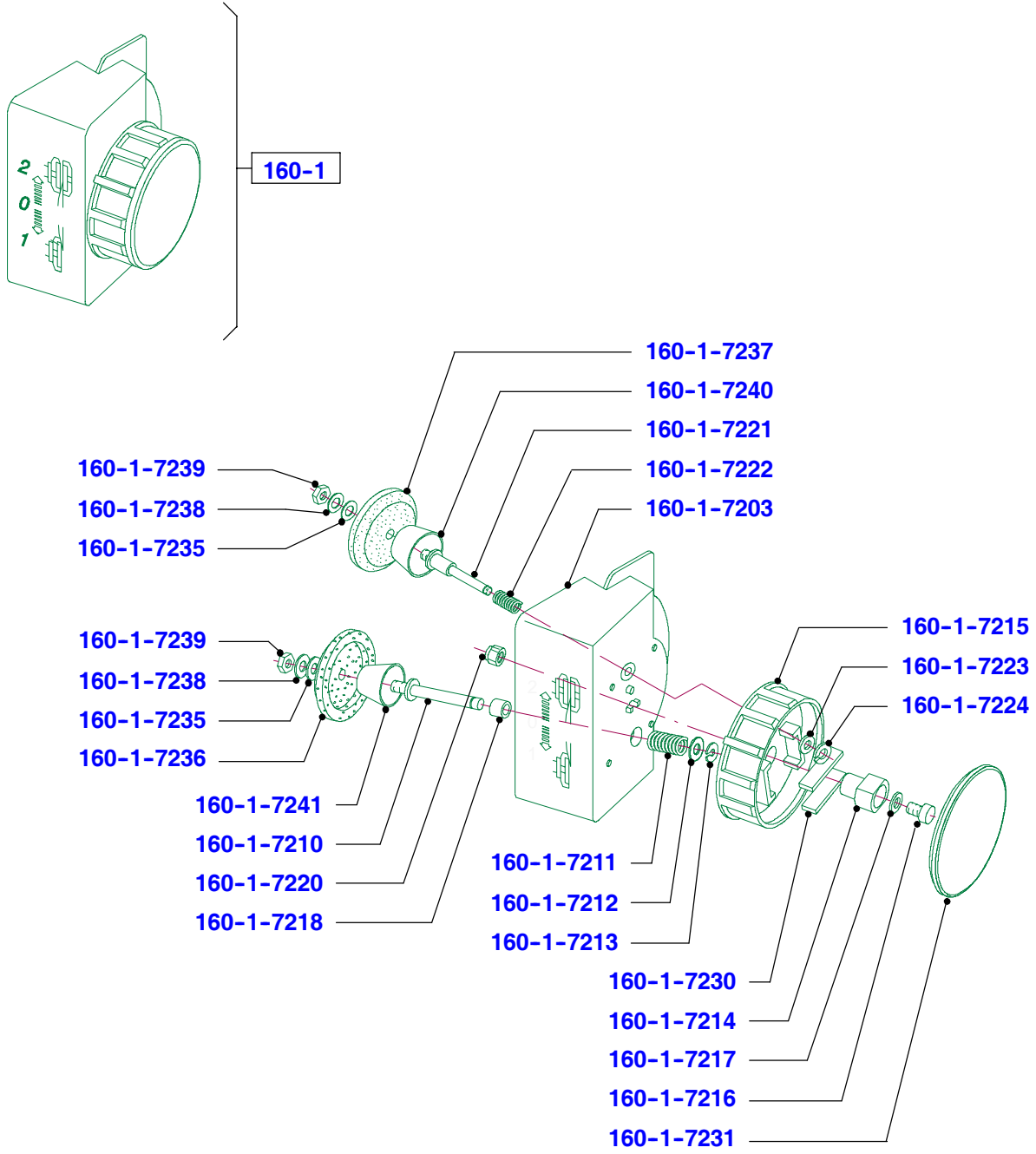



Version "A"
Adapter EURO 0 18L
Adapter USA 25 L



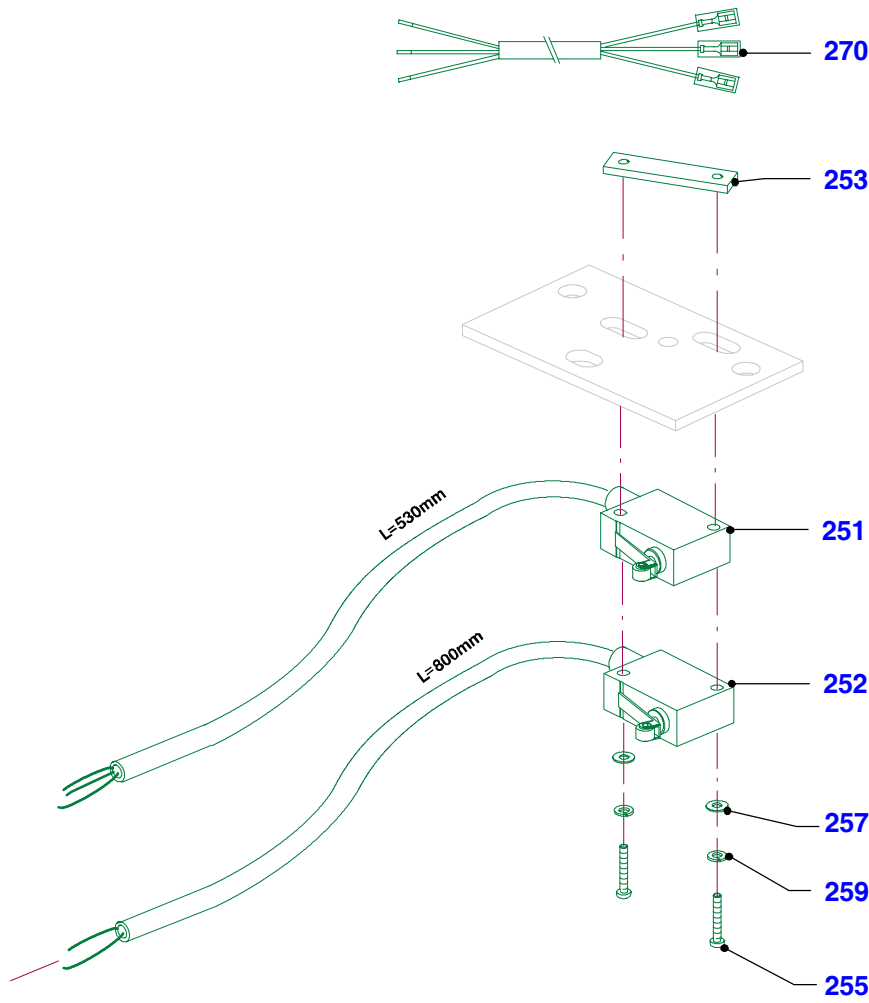
Sharpener

Sharpener, pre-mounted UVV



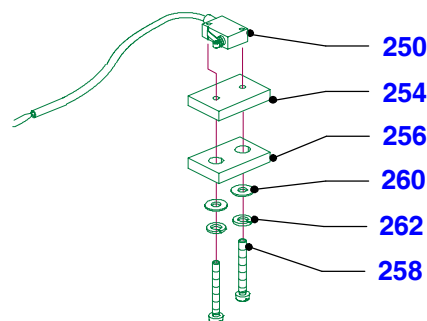
9905
 Paraliq GA 343
 ☞ to grease position
 160-1-7240 and
 160-1-7241

Accessories deactivation

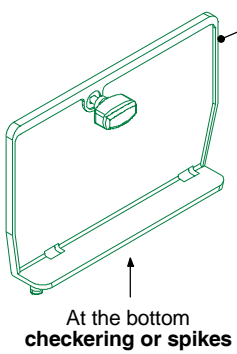


4

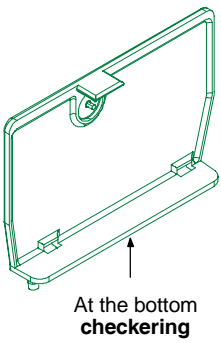
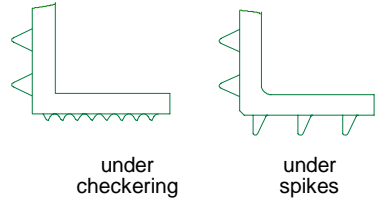
Sharpening-zero switch



Remnant holder

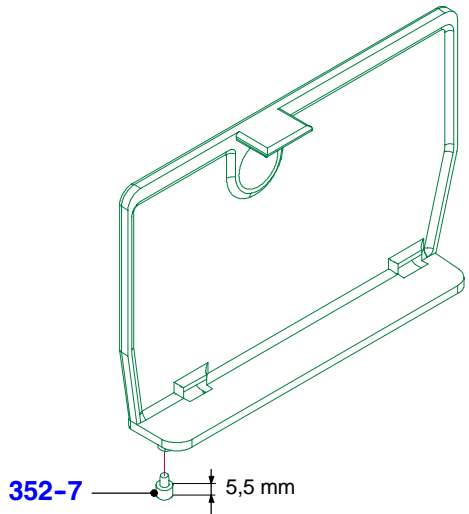
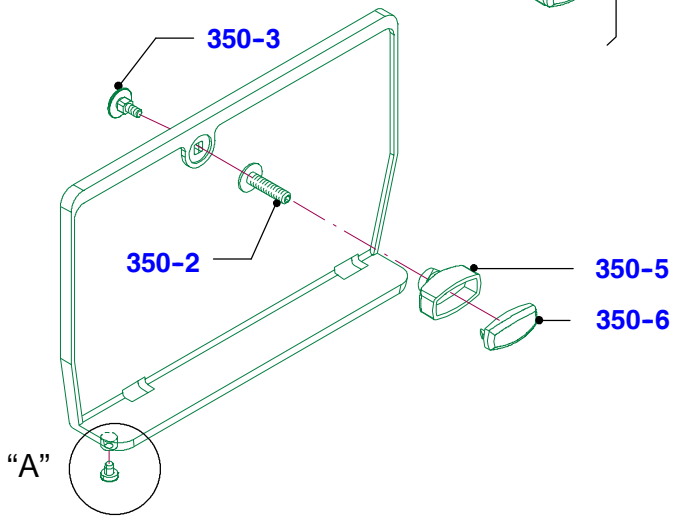
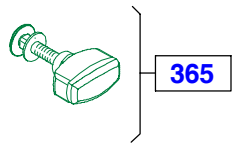


- 350** without checkering, without spikes
- 352** Checkering (Ultrason) - Support pins 5,5 mm
- 353** Spikes (Ultrason) - Support pins 3 mm
- 354** Spikes (Ultrason) - Support pins 6 mm
- 355** Spikes (Grivory) - Support pins 3mm
- 356** Spikes (Grivory) - Support pins 6mm

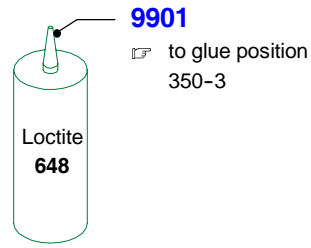
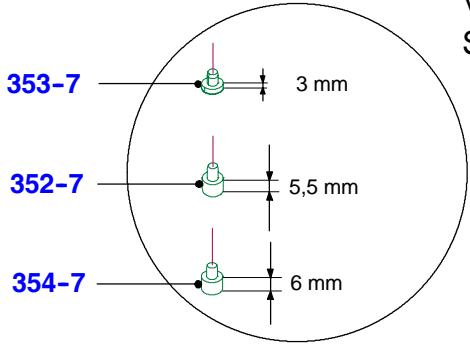


362 with support pins 5,5mm

4

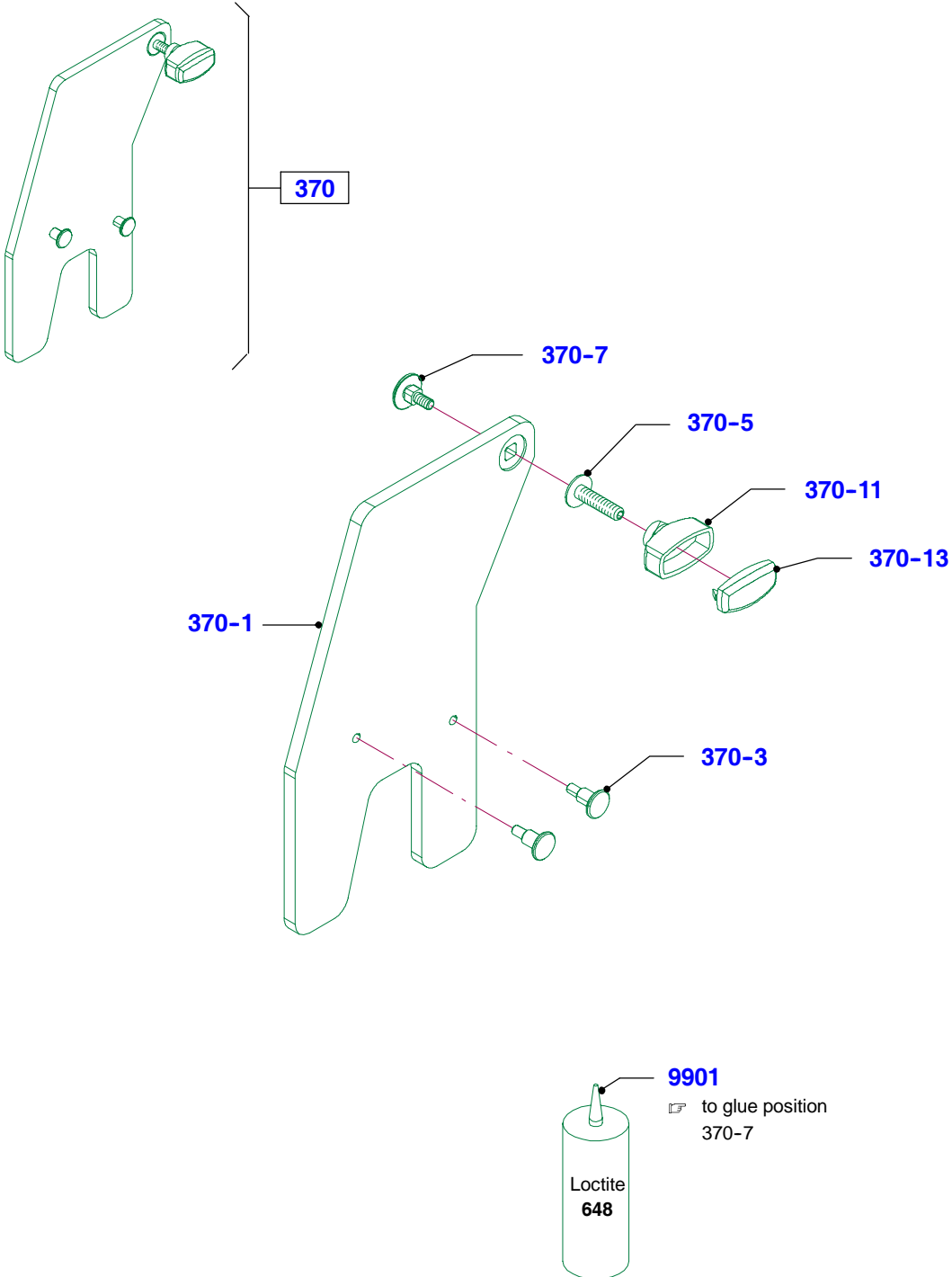


Version "A" Support pins



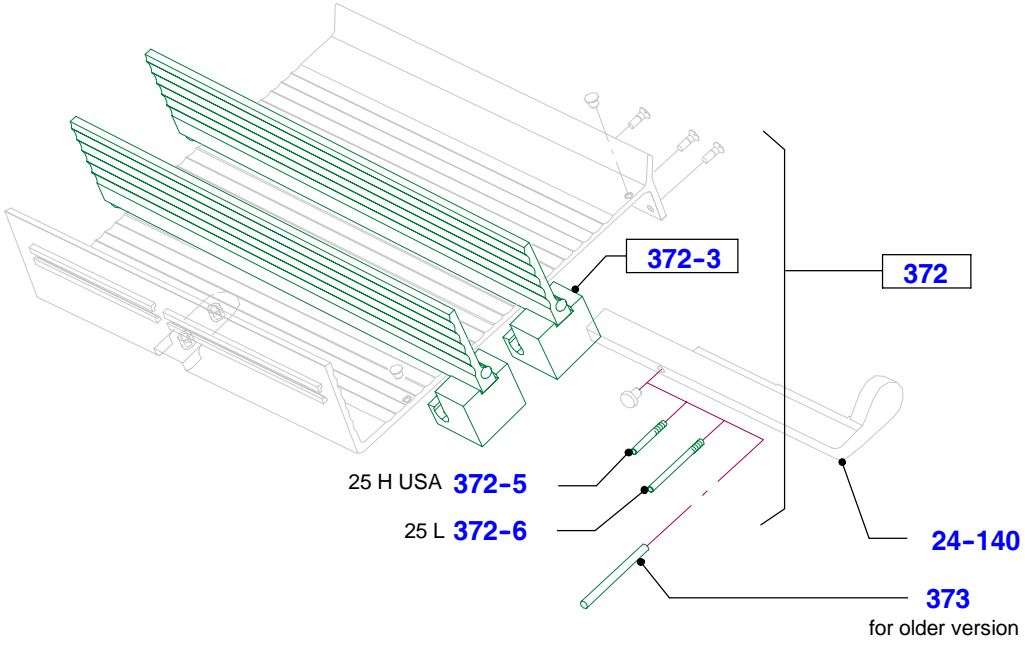
Remnant holder

Tomato ruler remnant holder plate



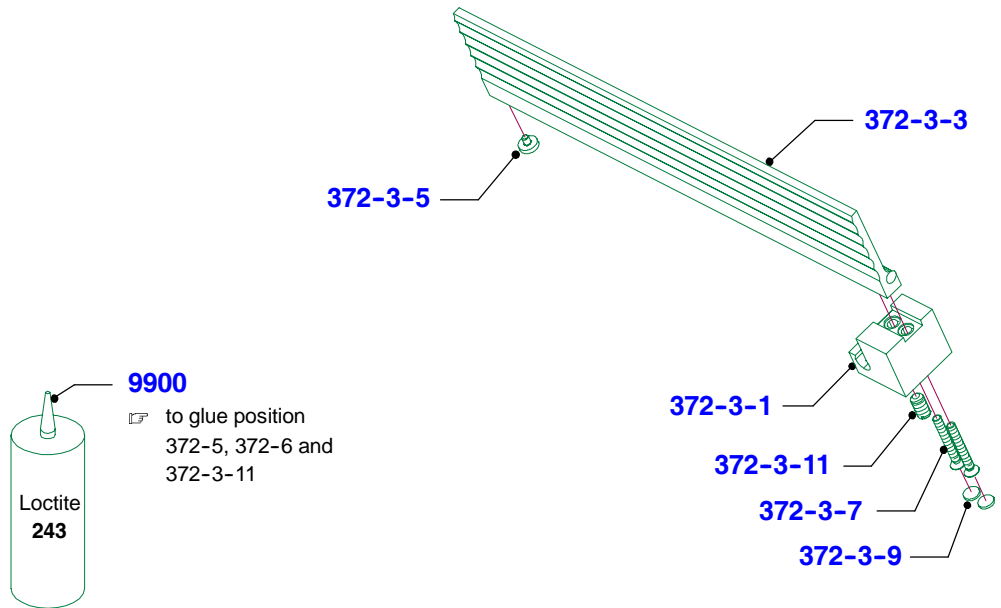
Product fixation

Tomato guide



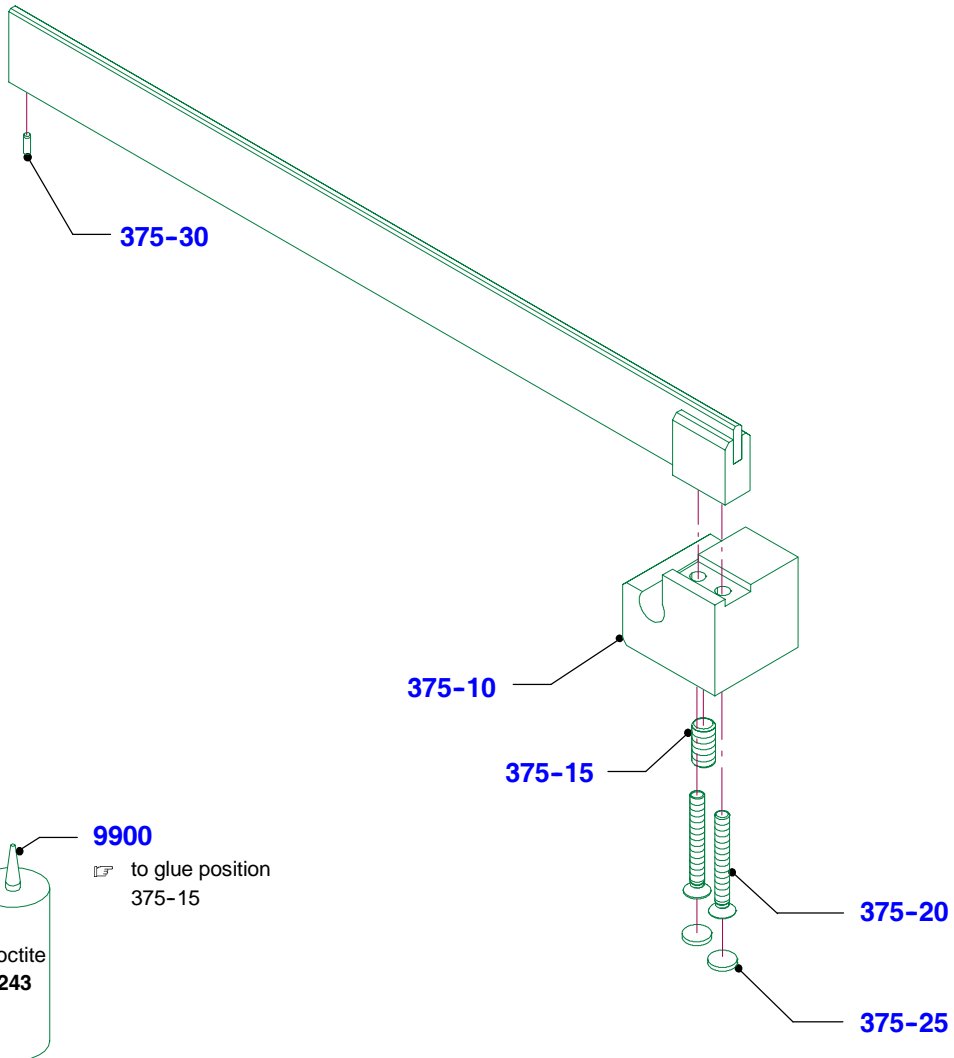
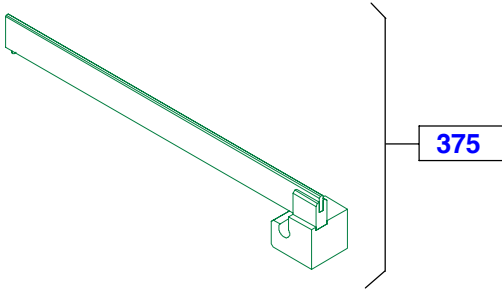
4

Slider with ruler



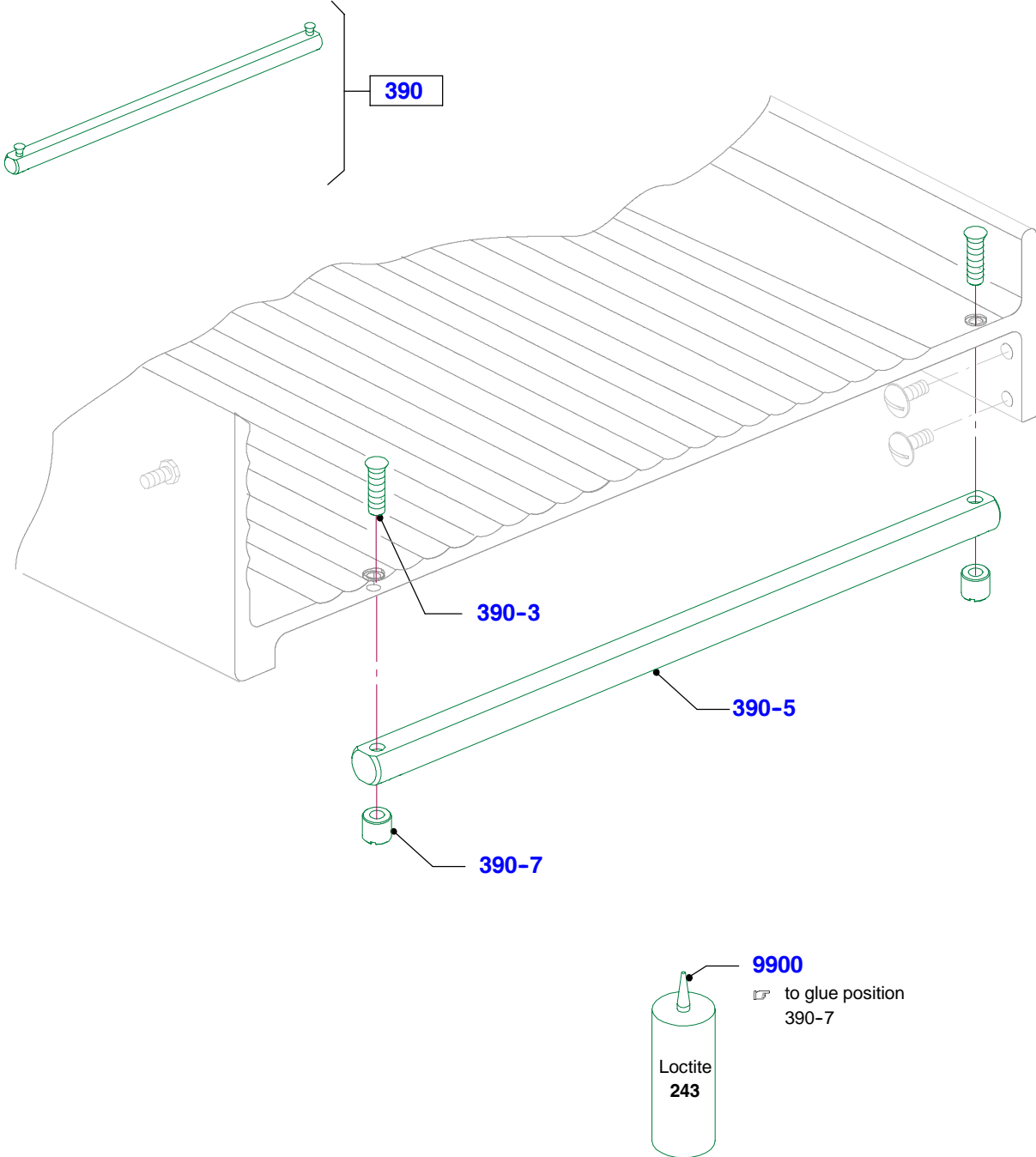
Product fixation

Ruler, complete



Product fixation

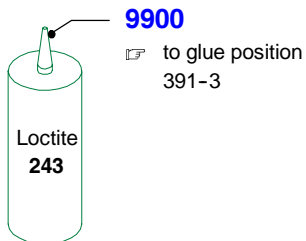
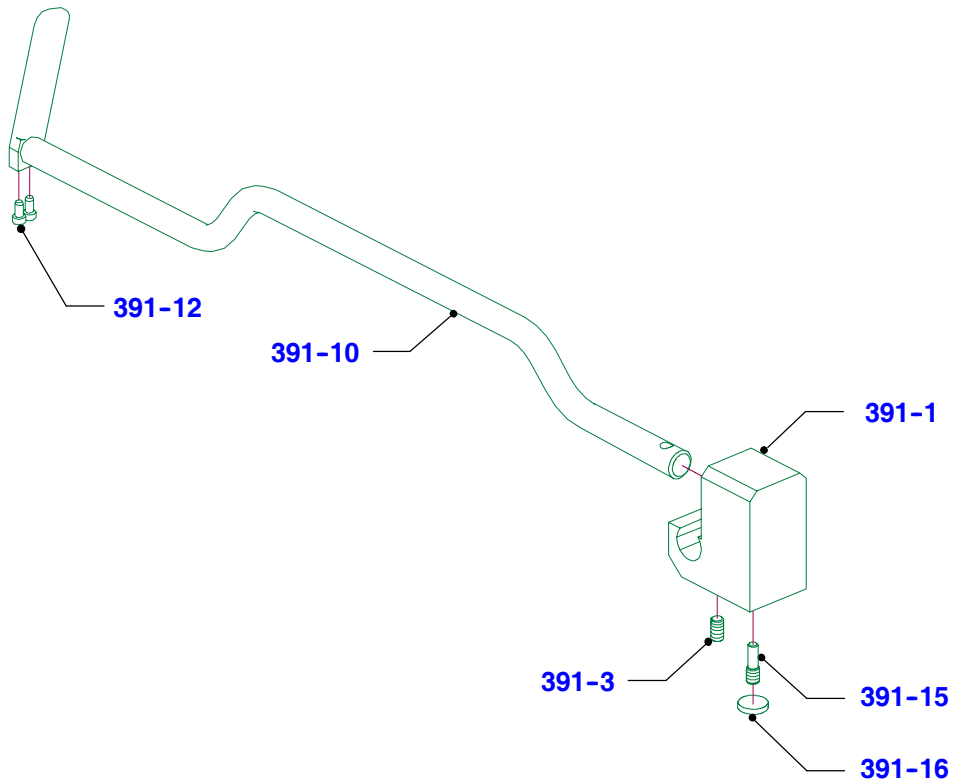
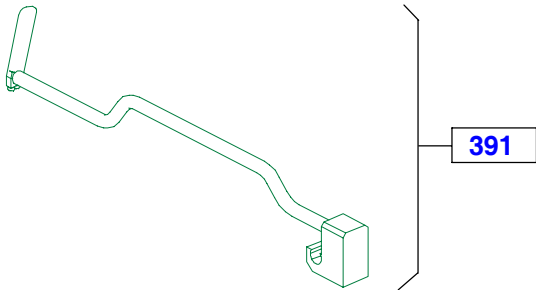
Retrofitting set, product fixation



4

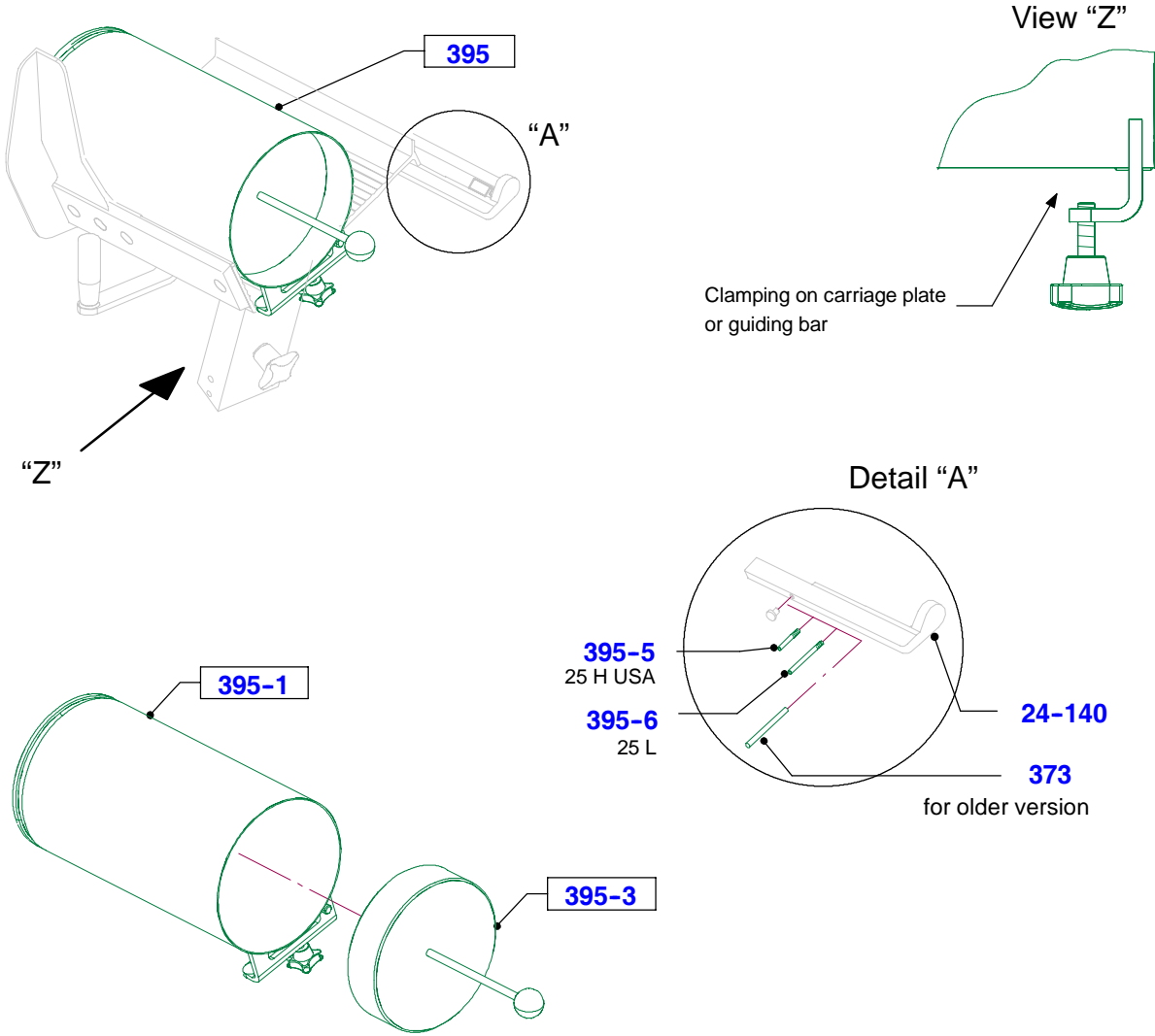
Product fixation

Salami guide



Product fixation

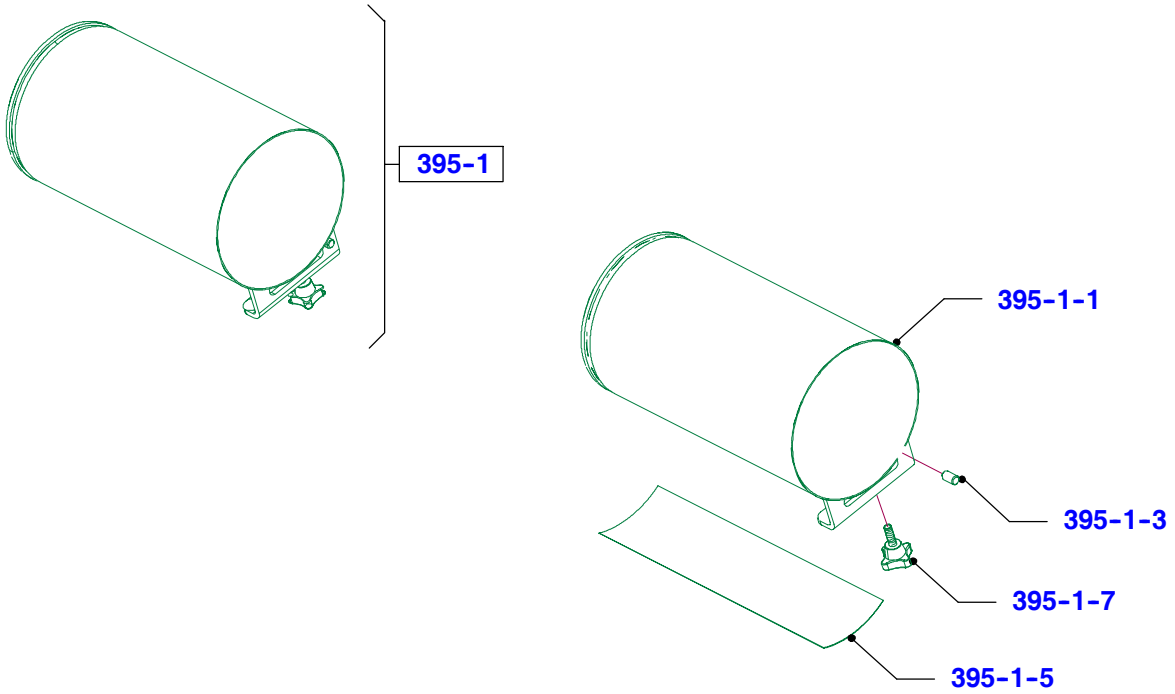
Vegetable chute and pusher



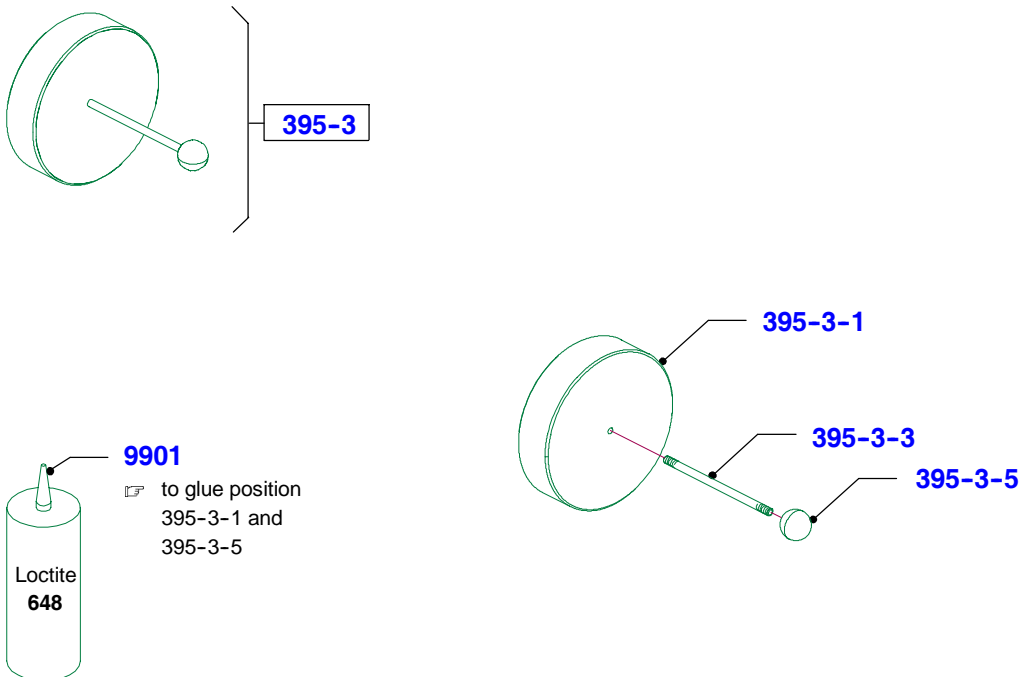
4

Product fixation

Vegetable chute

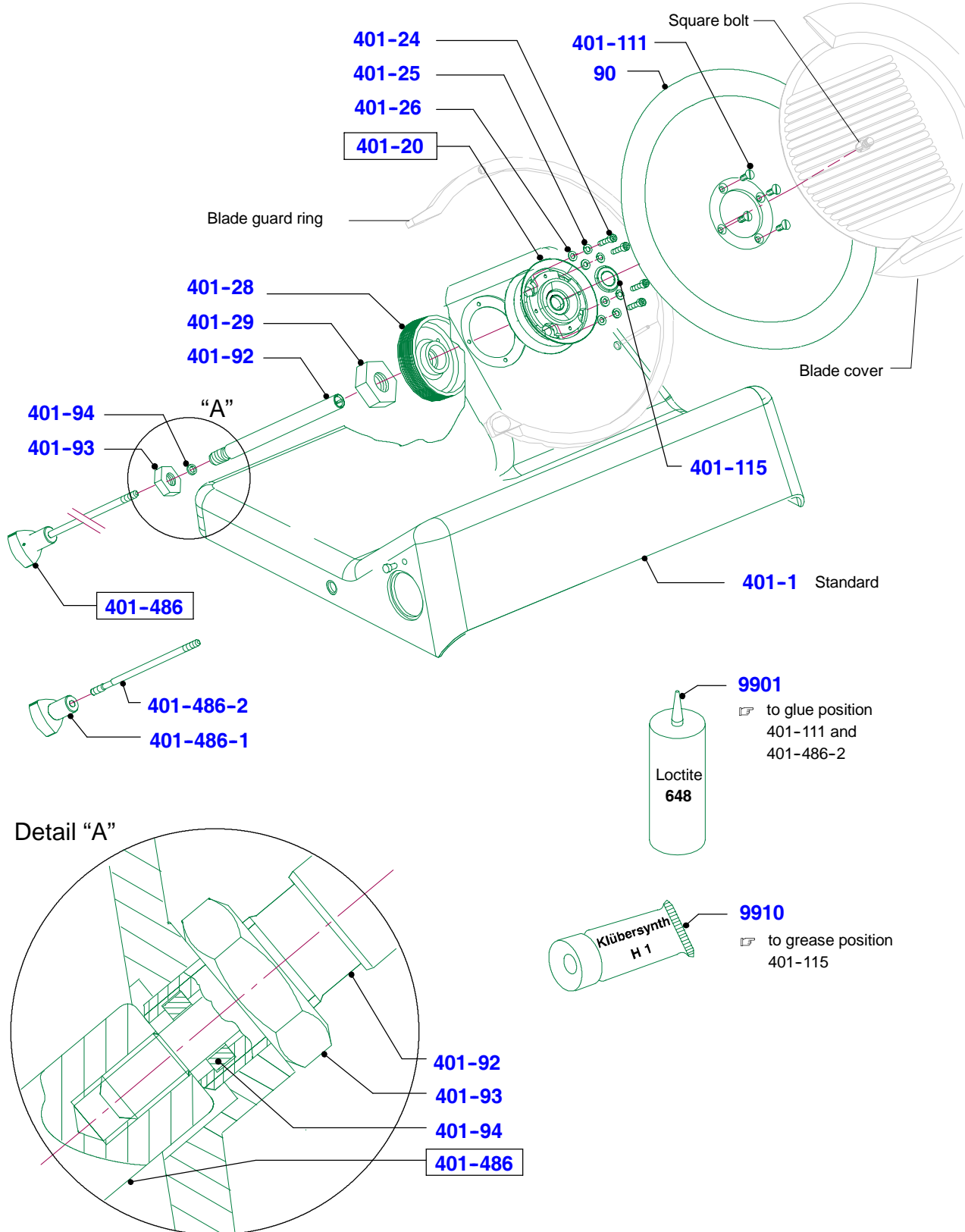


Pusher



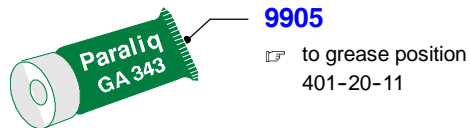
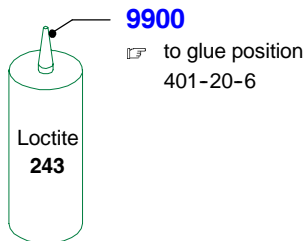
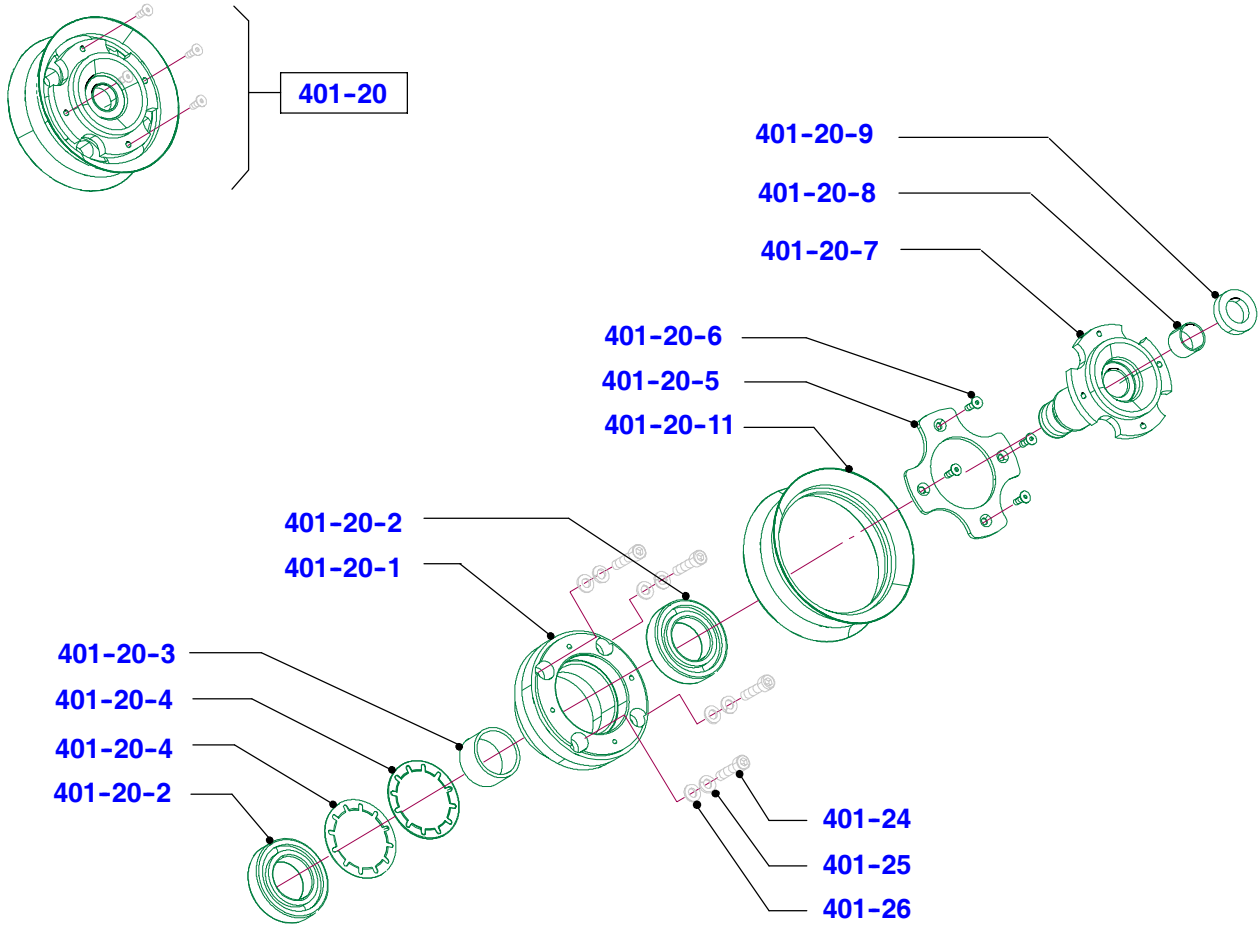
Basic parts

Blade bearing pre-mounted SE 12, for centrally fastened blade cover up to device-no. 10413573



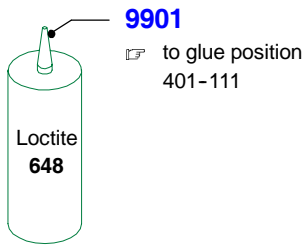
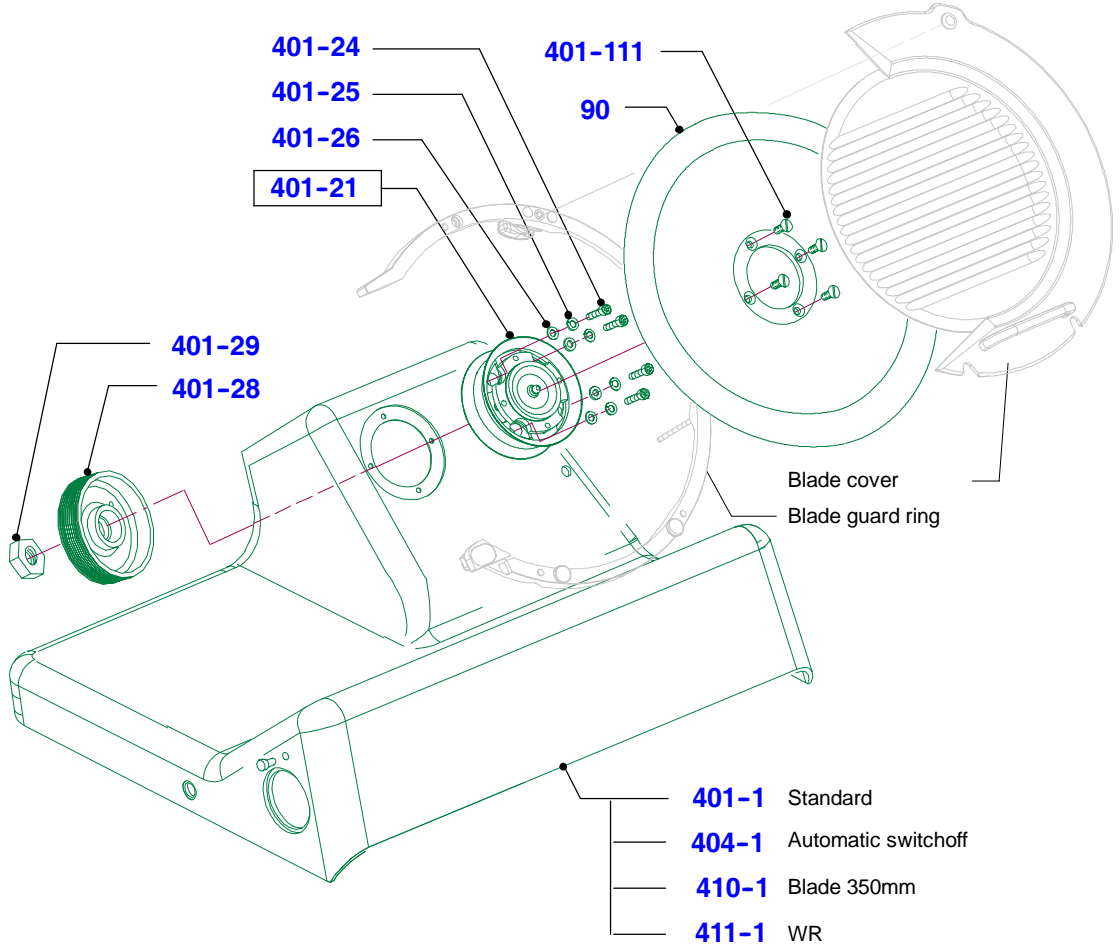
Basic parts

Blade bearing pre-mounted SE12, for centrally fastened blade cover up to device-no. 10413573



Basic parts

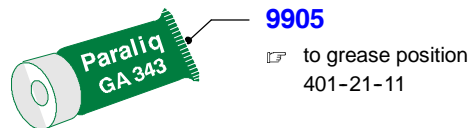
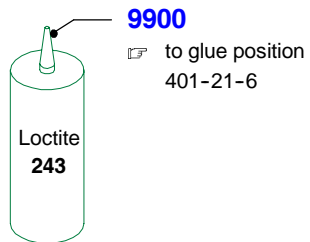
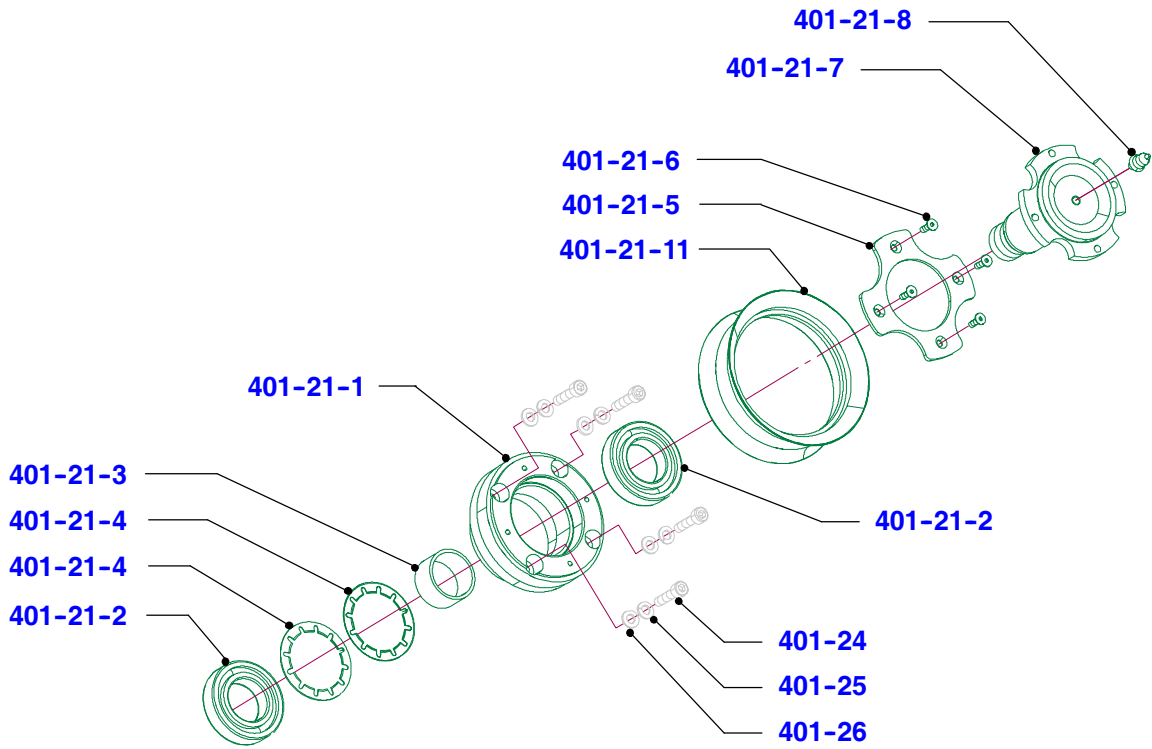
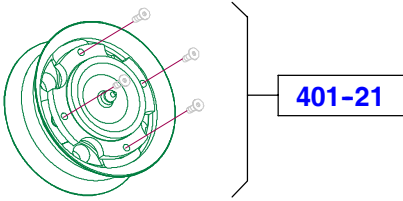
Blade bearing pre-mounted, for decentrally fastened blade cover, from device-no. 10413574



4

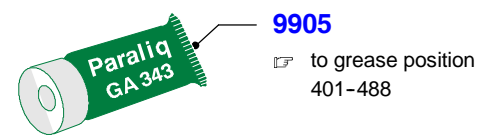
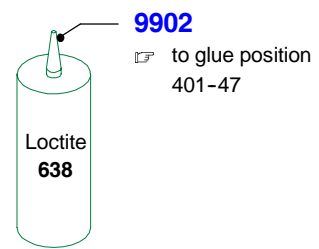
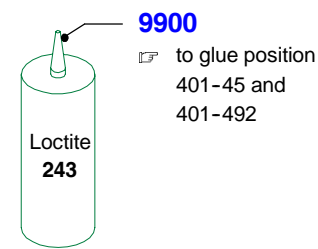
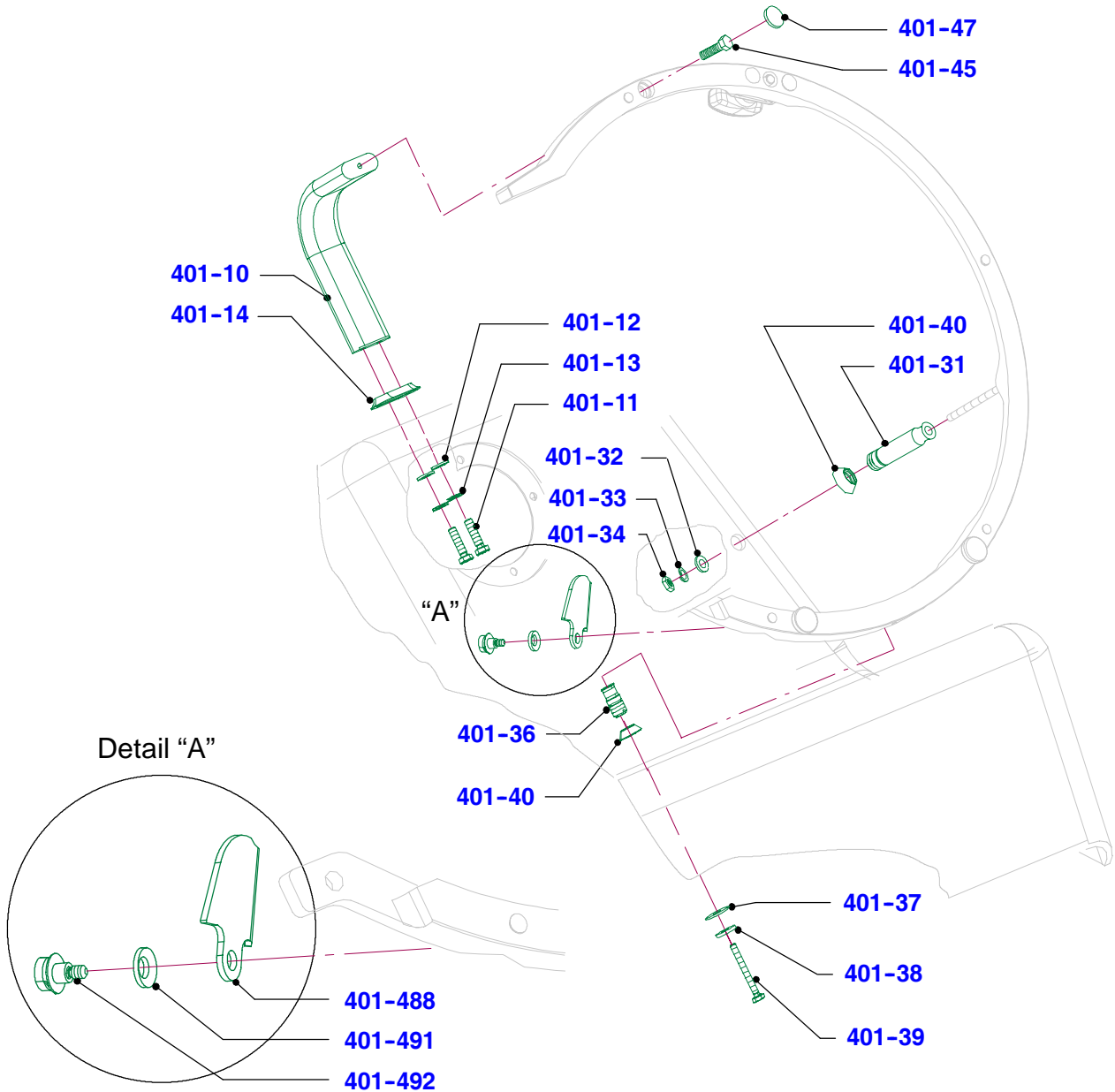
Basic parts

Blade bearing pre-mounted, for decentrally fastened blade cover, from device-no. 10413574



Basic parts

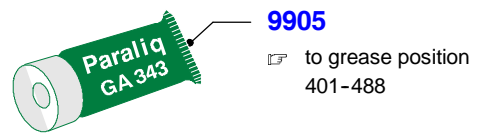
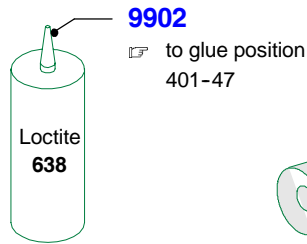
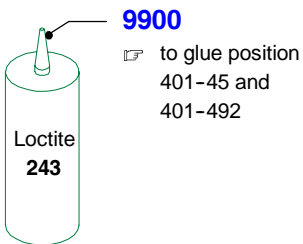
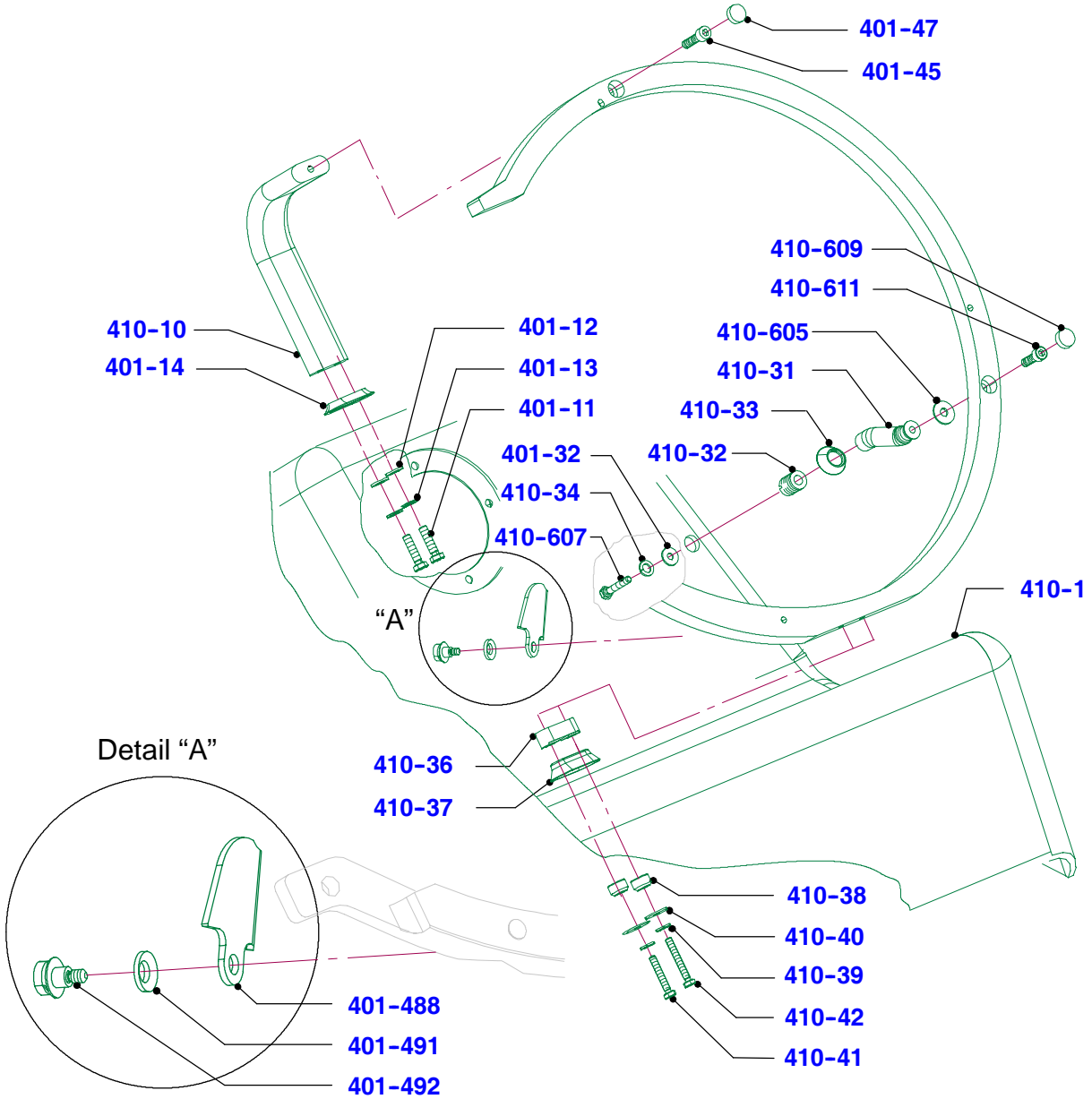
Deflector (small) and support for blade guard ring (blade 330 mm)



4

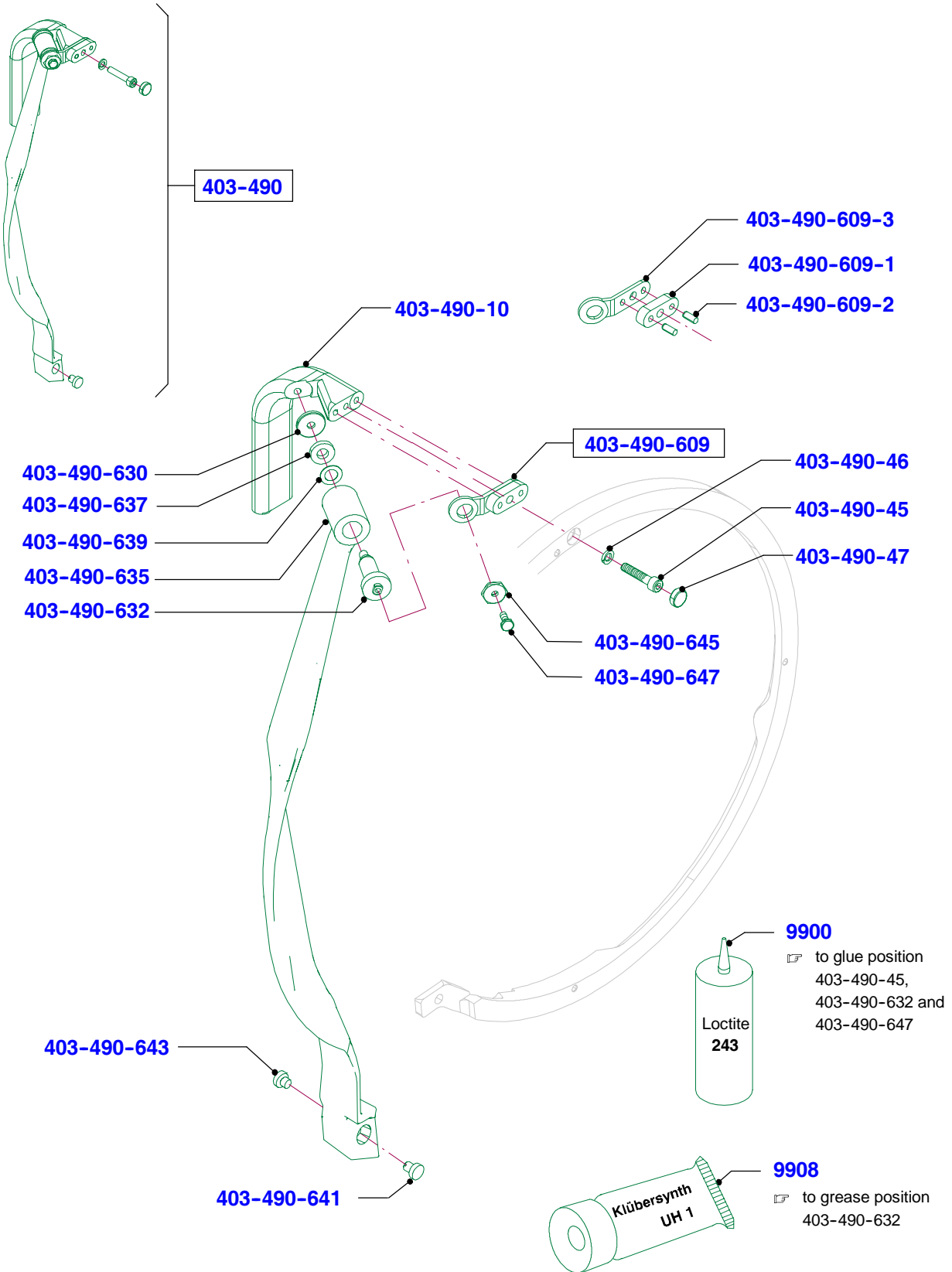
Basic parts

Deflector (small) and support for blade guard ring (blade 350 mm)



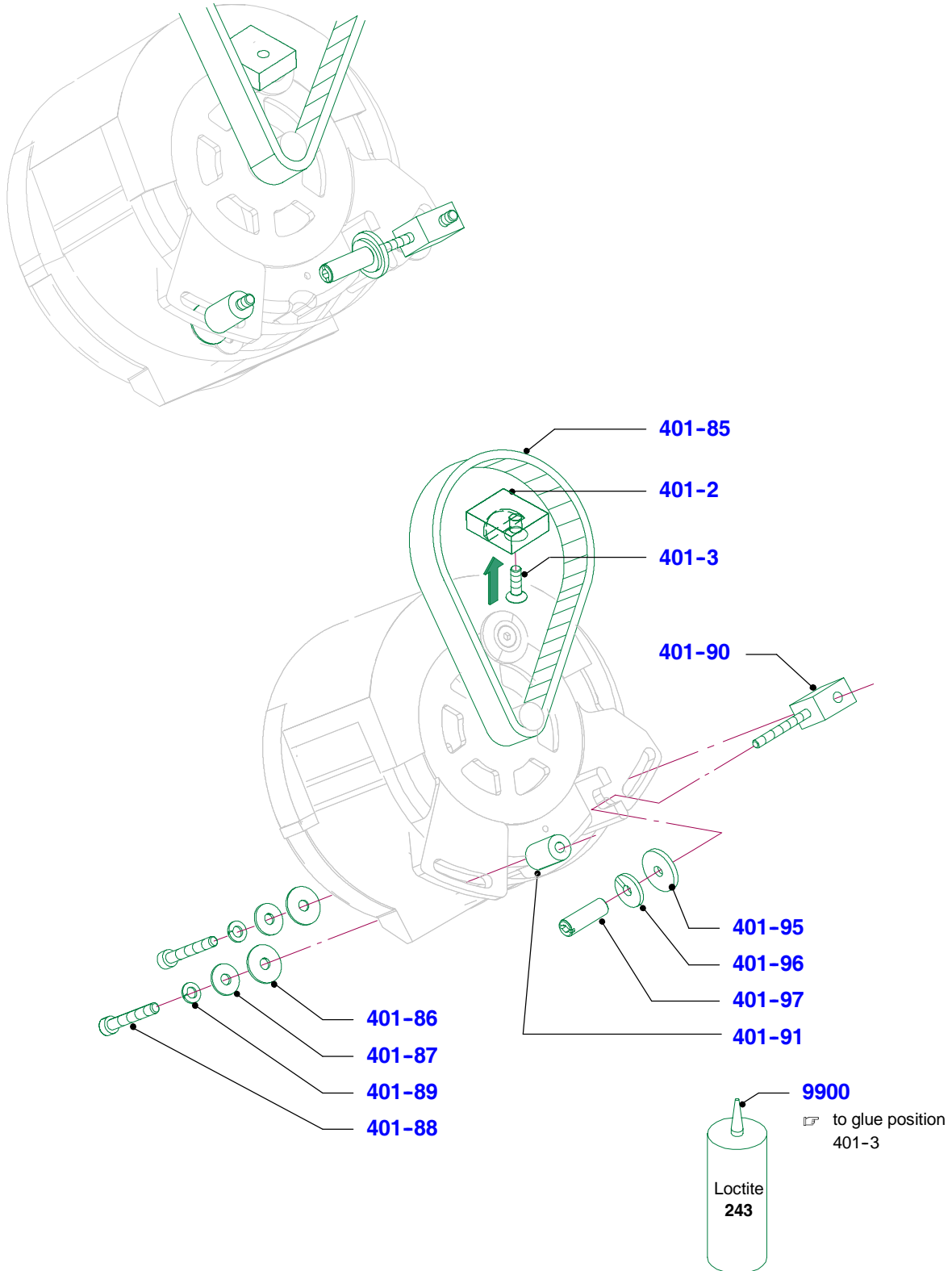
Basic parts

Deflector plastic (with integrated support)



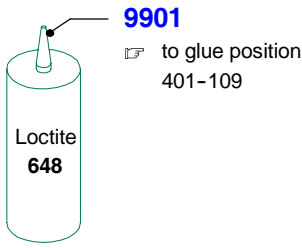
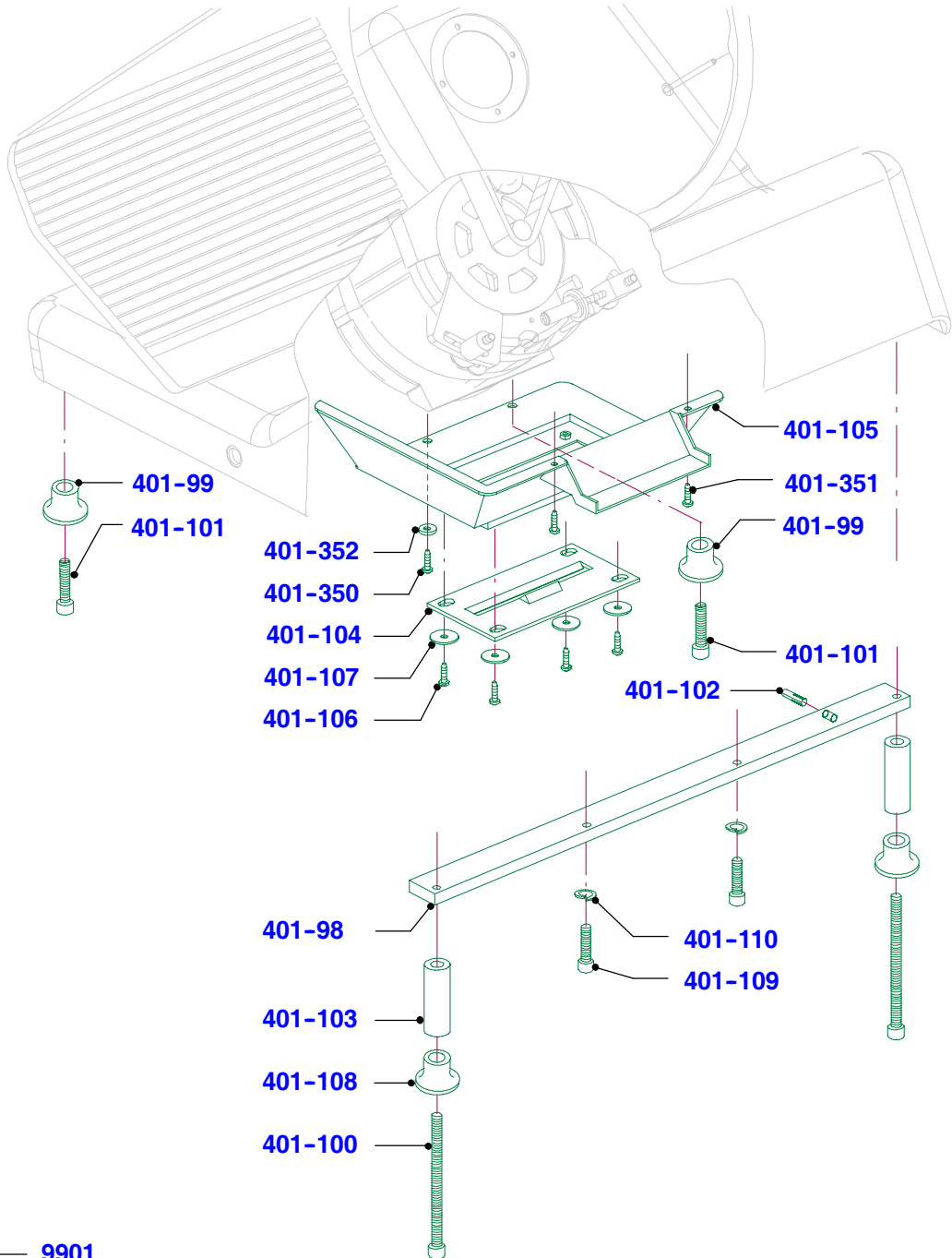
Basic parts

Motor fastening and belt tension



Basic parts

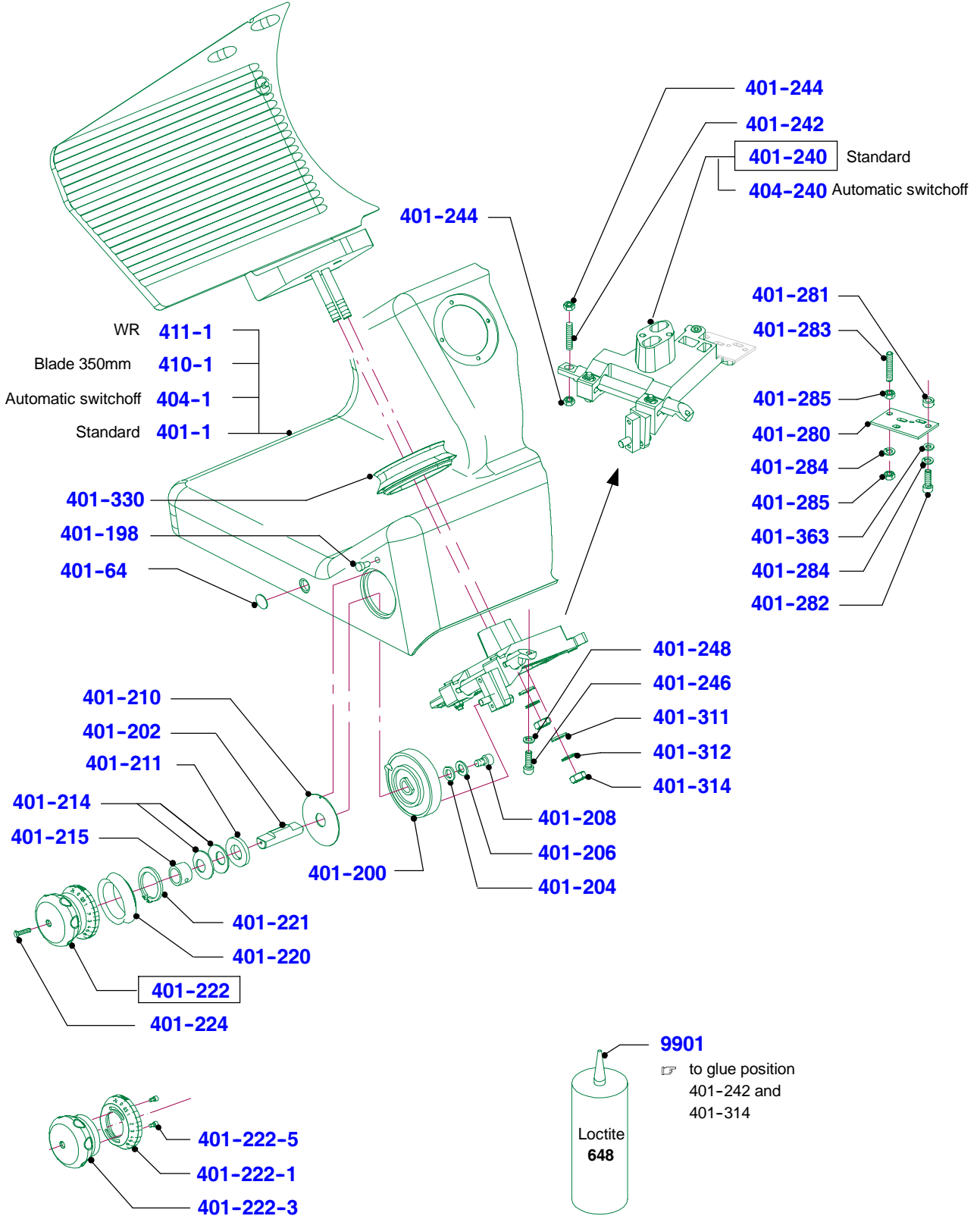
Motor cover, supporting legs, running rail



4

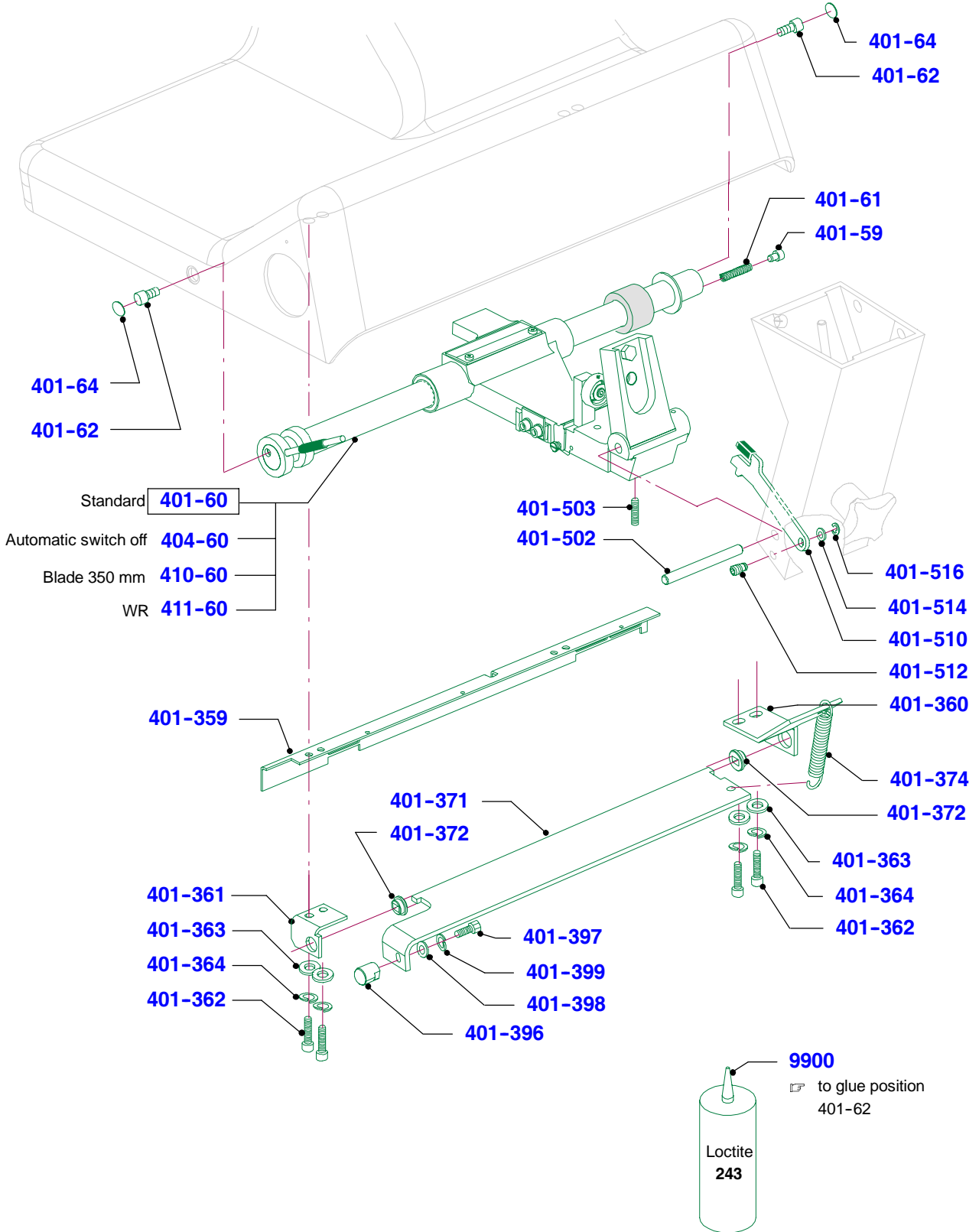
Basic parts

Rotary knob and bearing bracket



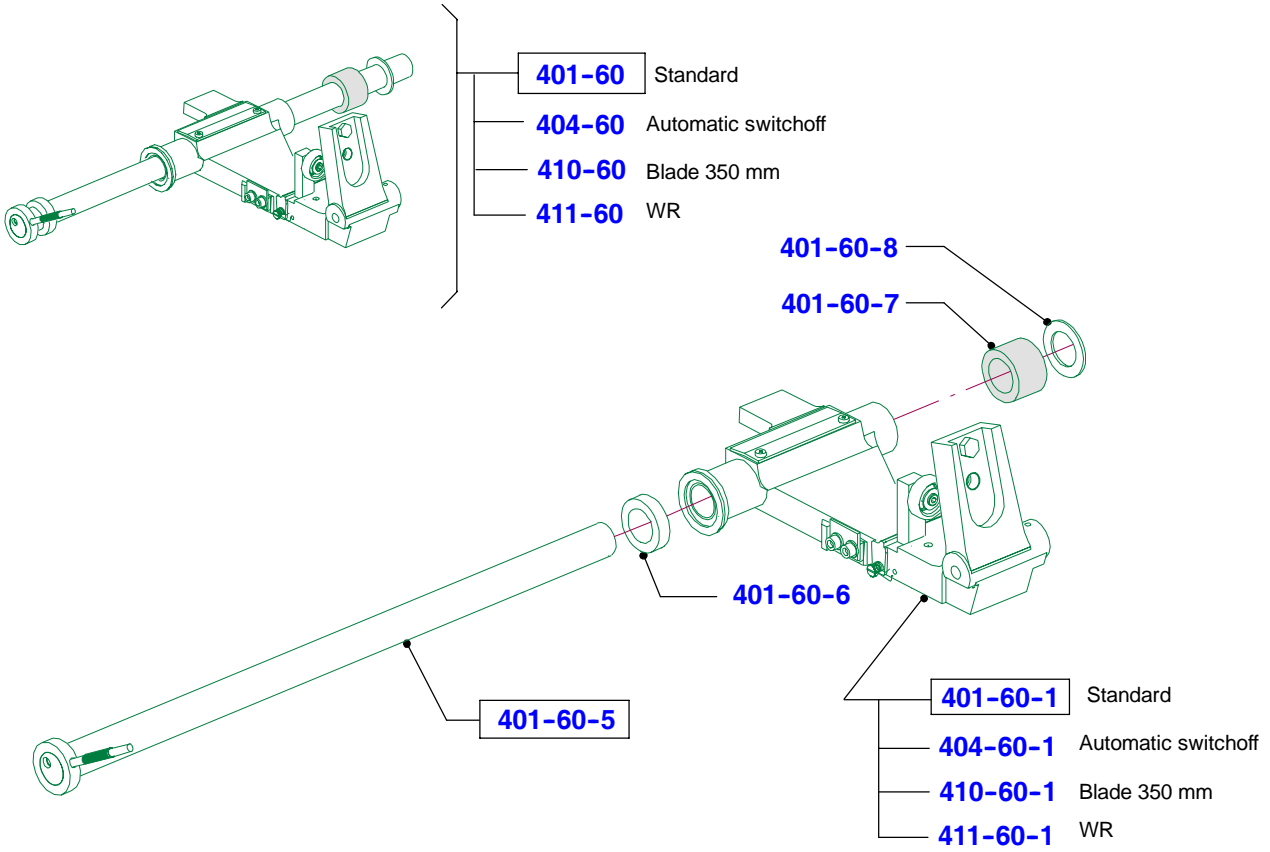
Basic parts

Carriage guide, rail, angle and locking device

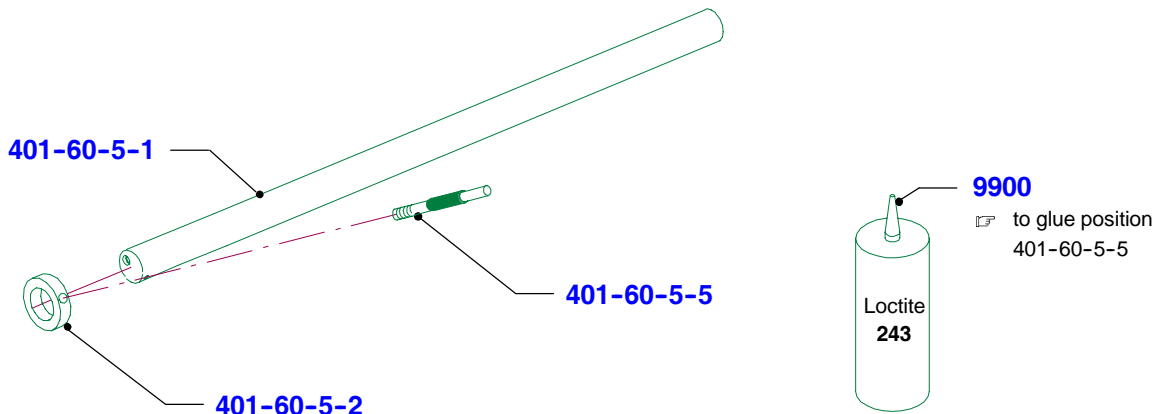


Basic parts

Carriage guide complete

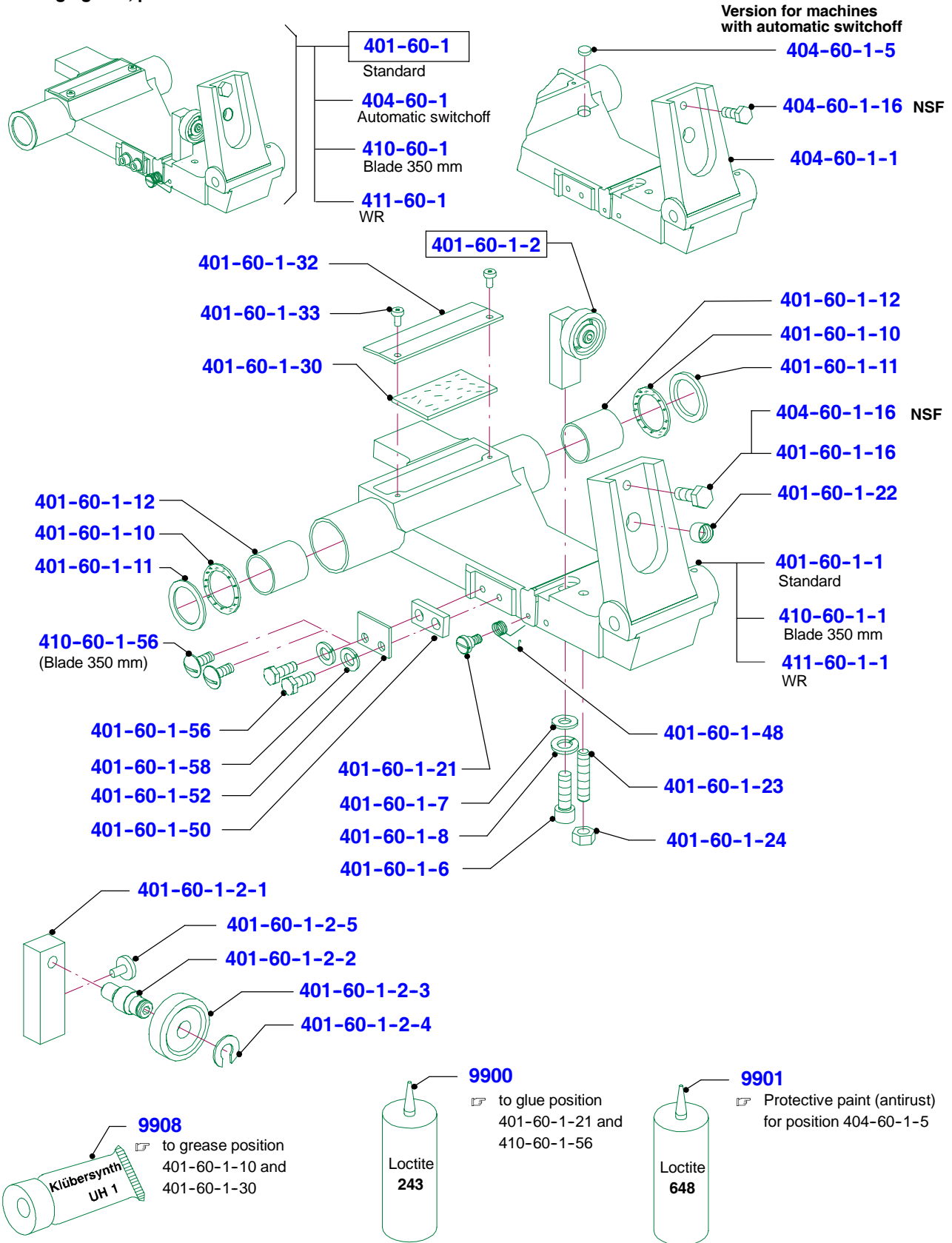


Carriage shaft pre-mounted



Basic parts

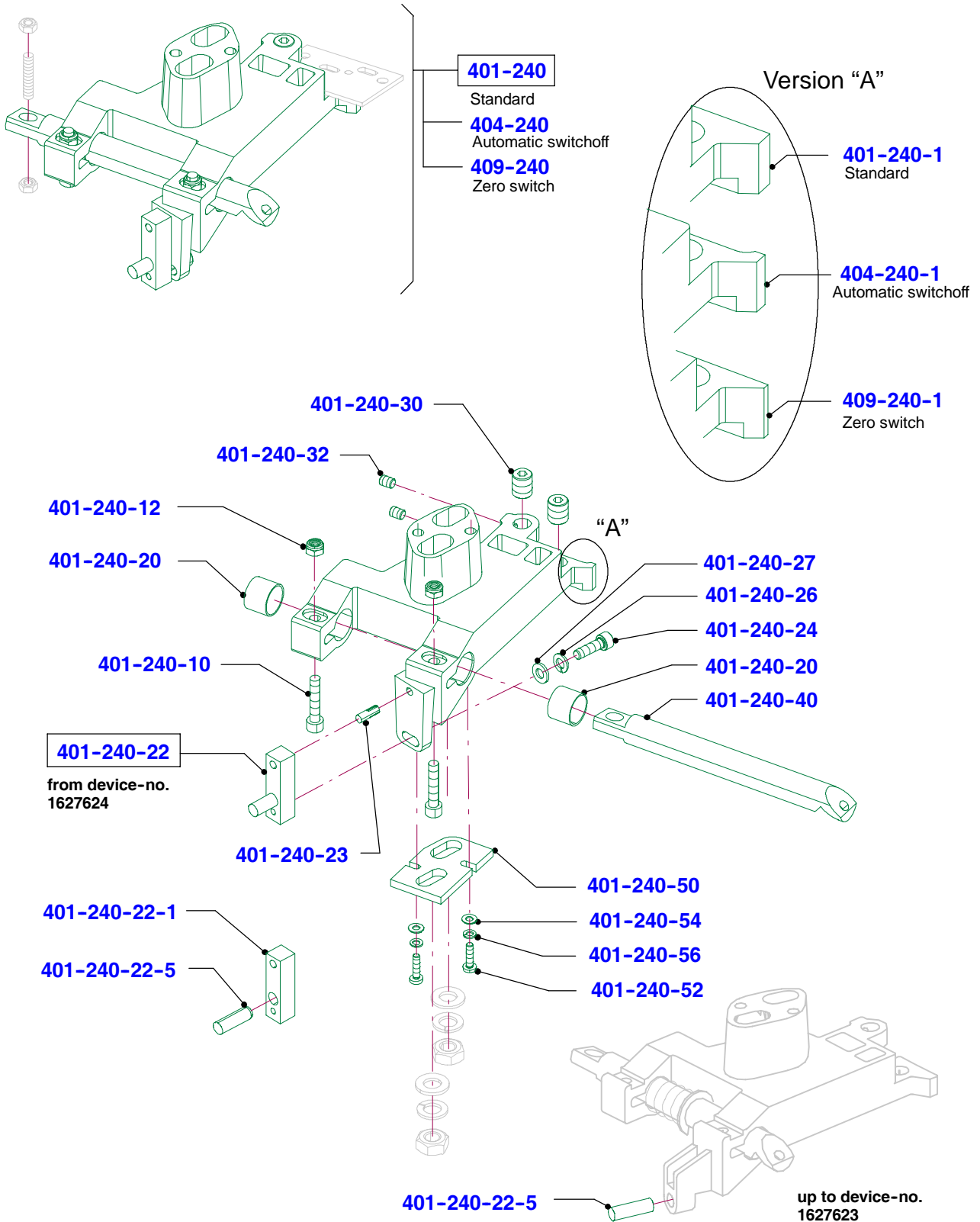
Carriage guide, pre-mounted



4

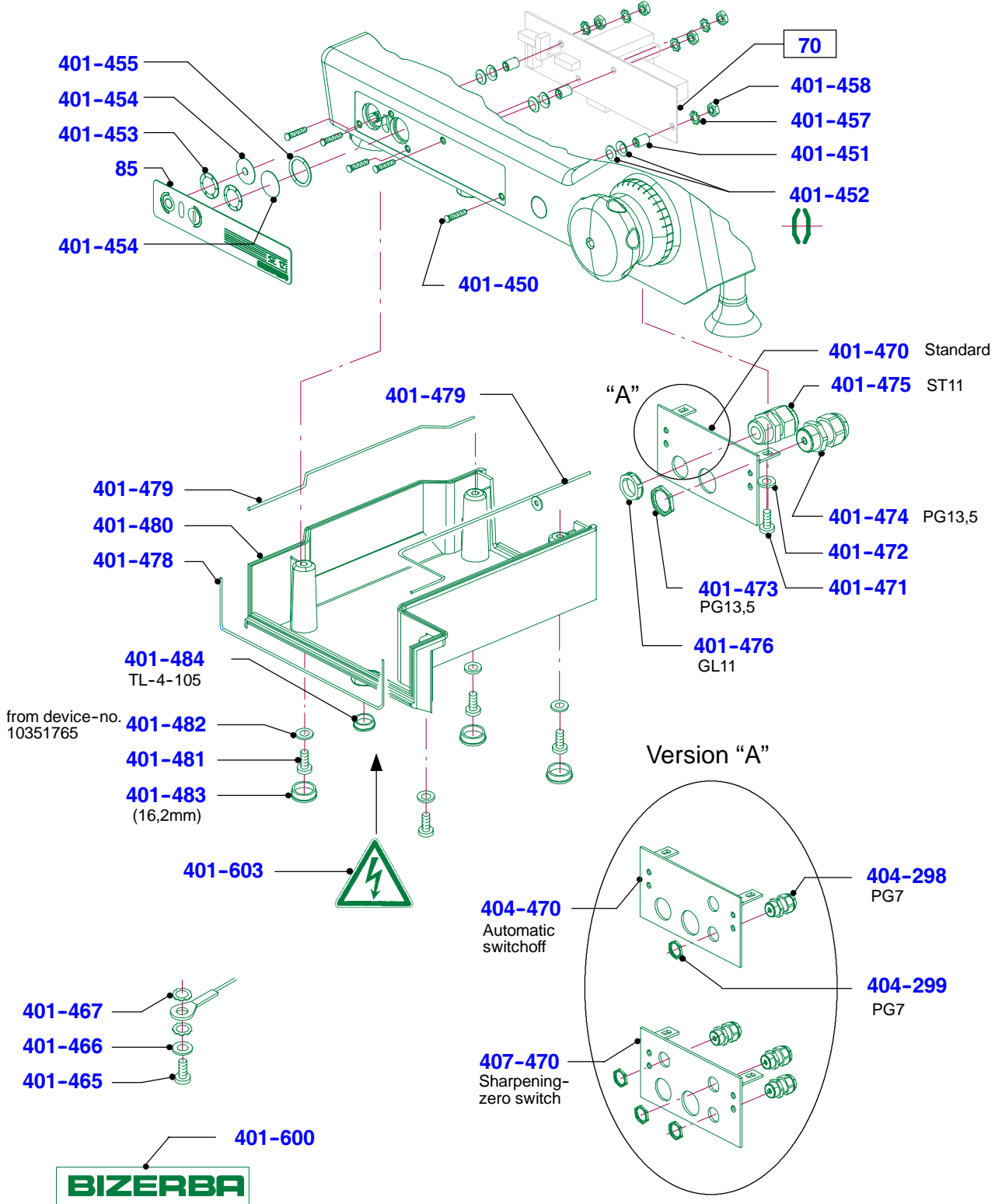
Basic parts

Bearing bracket, pre-mounted

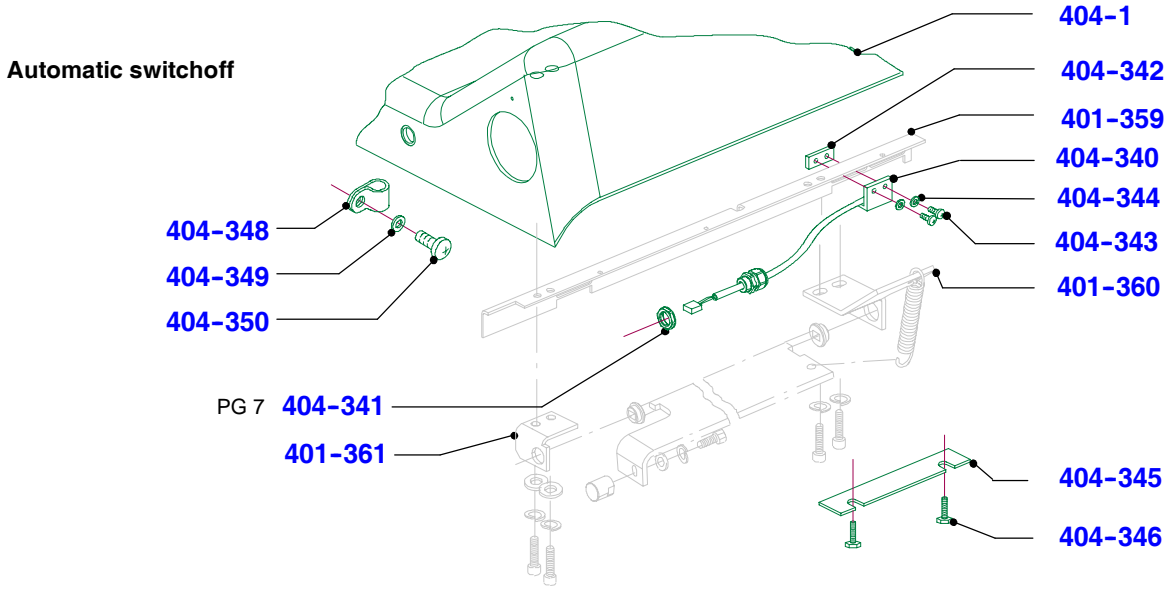


Basic parts

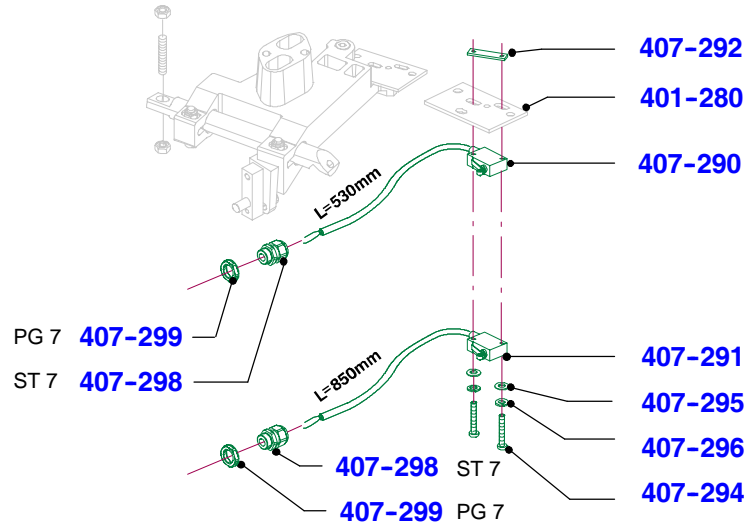
Switch cover and accessories for LPB ON/OFF



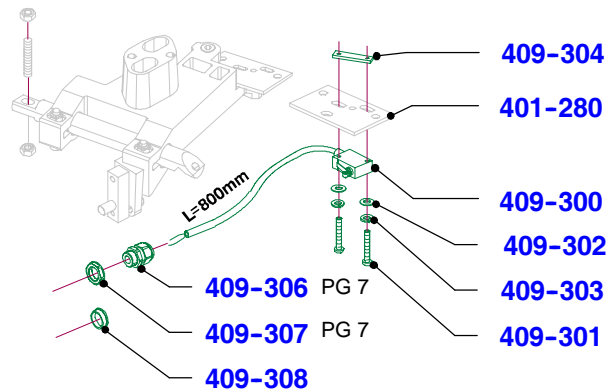
Basic parts



Sharpening-zero switch

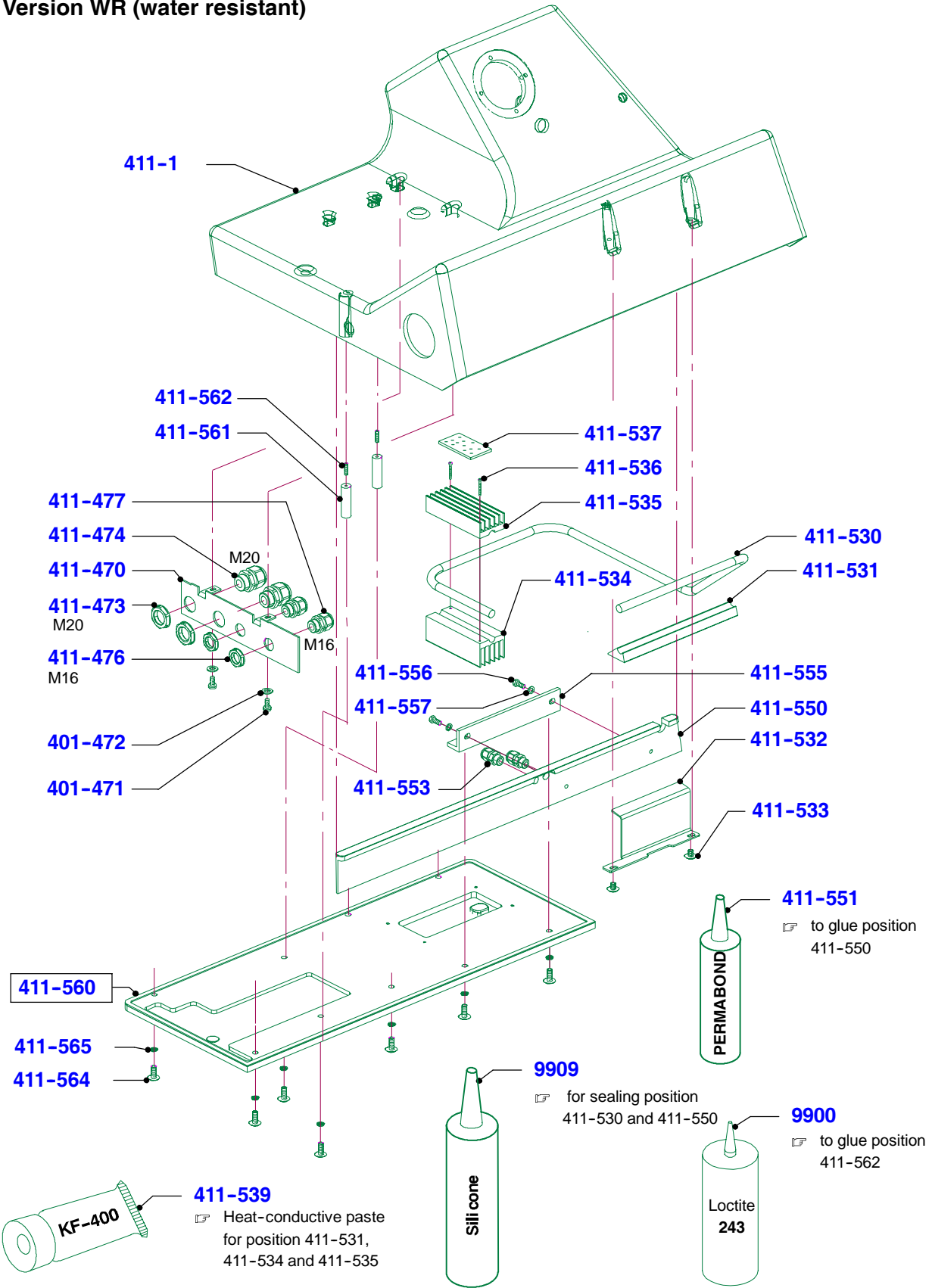


Zero switch



Basic parts

Version WR (water resistant)

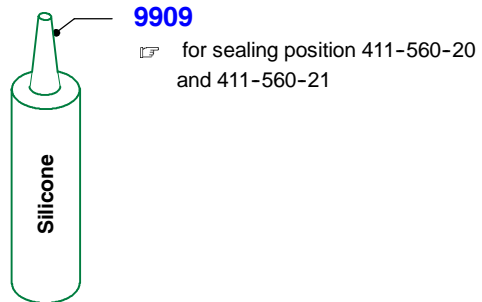
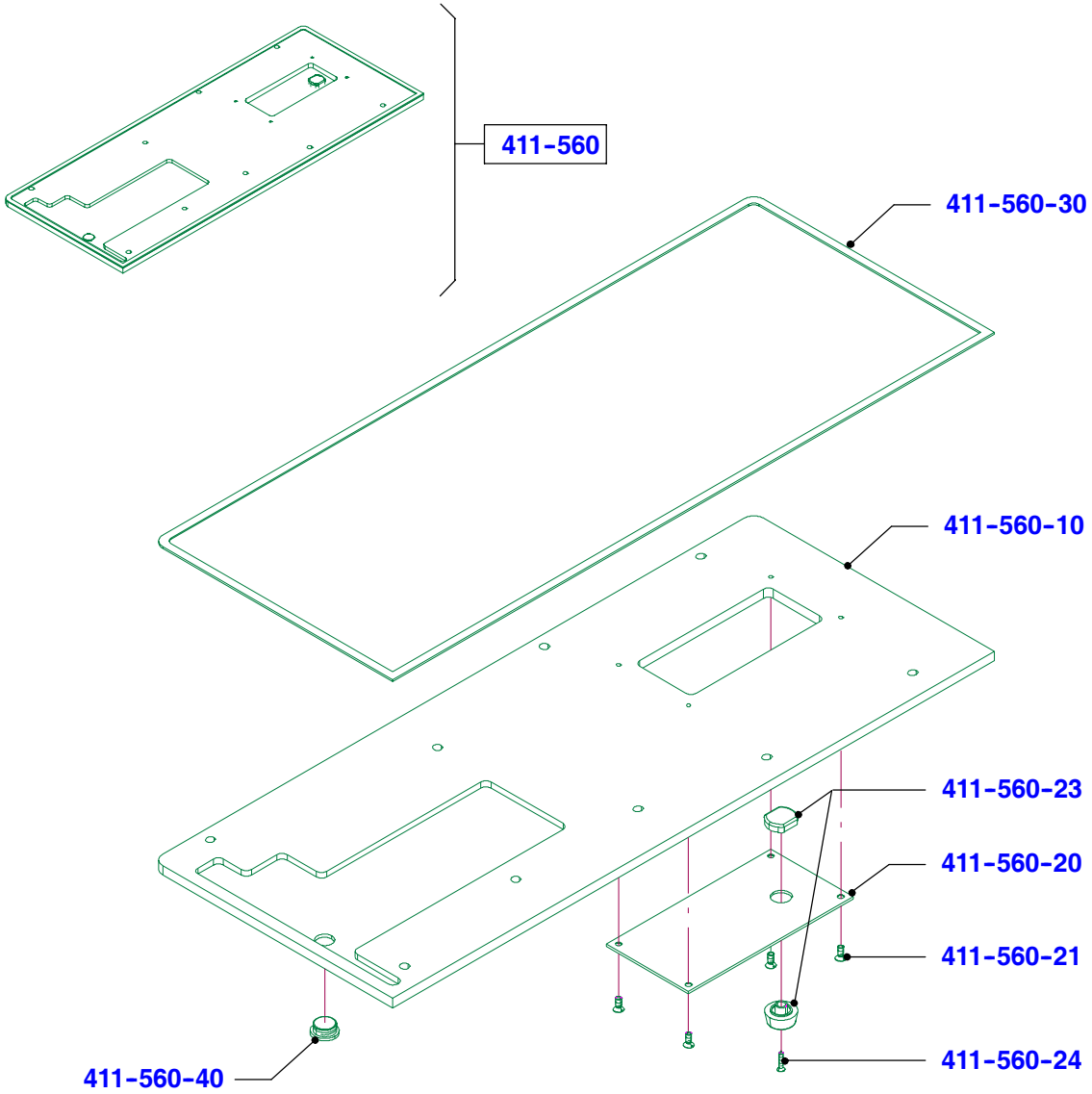


4

Basic parts

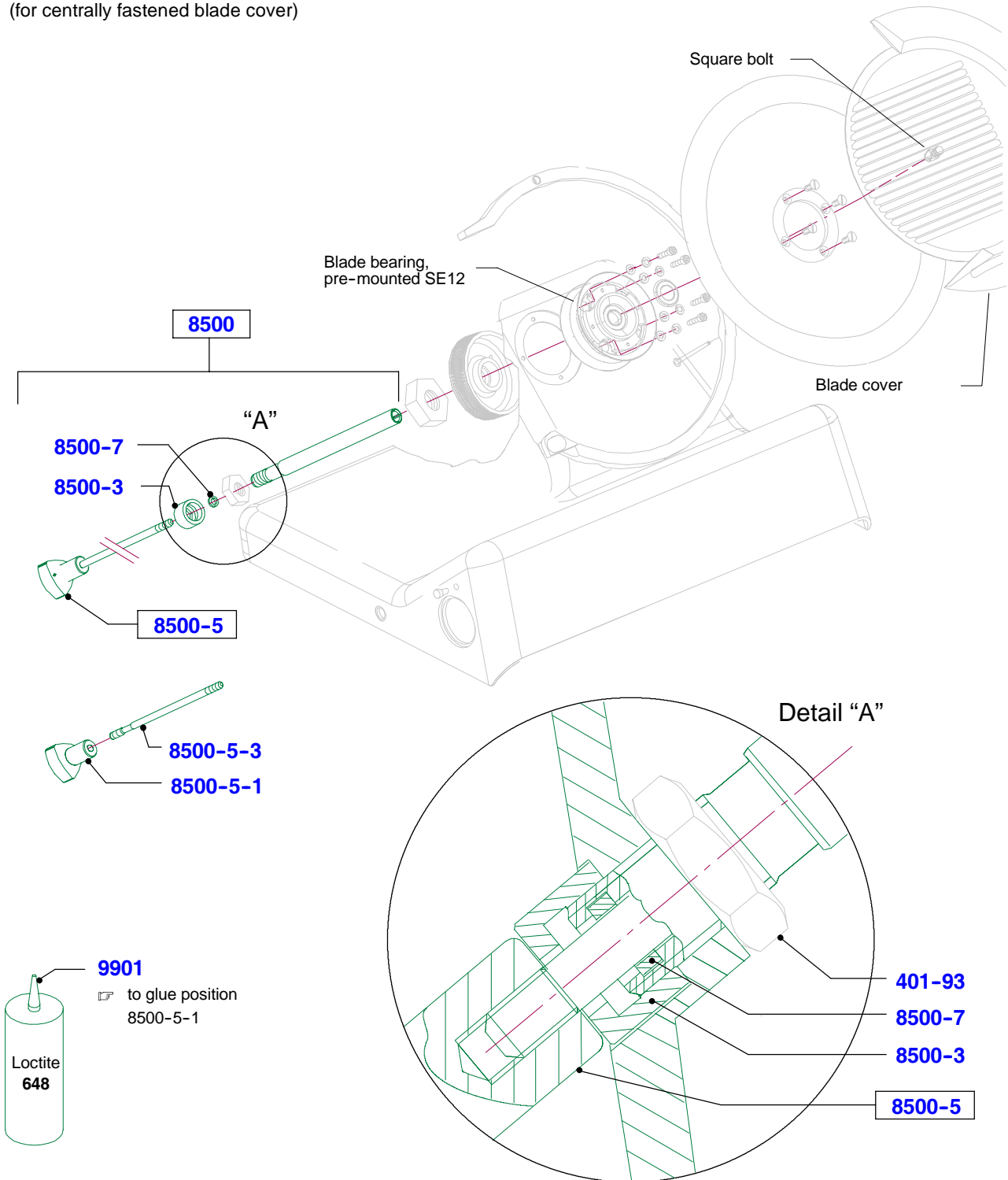
Version WR (water resistant)

Cover, pre-mounted



Repair kit blade shaft USA

Only for Blade bearing, pre-mounted SE 12
(for centrally fastened blade cover)



Precision slicer

SE 12

Text content	page
Lifting lever	1
Carriage	
Inclination 0°, (horizontal)	1
Inclination 18°, Low	3
Inclination 18°, Low - Inclined slicer	4
Inclination 18°, Low - Clamping carriage	6
Inclination 25°, Low, High USA, High USA Alu RW, High USA Grivory RW	8
Inclination 25°, High	10
Inclination 25°, Low CAN, High CAN, High USA, Alu welded	11
Retrofitting set, one-part 25° Alu carriage	11
Retrofitting set rear wall Lexan to Alu	12
Cables	12
Built-in motor	12
Capacitor, LPB ON-OFF	13
Strands, transformer, decorative film	13
Blade, blade cover, guard ring	13-15
Gauge plate	16
Signs	16
Accessories, accessories for elevated installation	17
Sharpener	17
Operating instructions, reference plates	18
Switches	19
Note, instructions	19
Remnant holder, clamp handle, tomato ruler remnant holder plate	19
Product fixation, tomato guide, ruler complete, retrofitting set - product fixation	20
Salami guide, vegetable chute and pusher	20

Text content	page
Basic parts	
Standard	21
Blade bearing pre-mounted SE 12, for centrally fastened blade cover	21
Blade bearing pre-mounted, for decentrally fastened blade cover	21
Carriage guide	22
Rotary knob	23
Bearing bracket pre-mounted	23
Deflector (small and plastic)	25
Automatic switchoff	25
Sharpening-zero switch	26
Zero switch	26
SE 12/35/0 and SE 12/35	26
Version WR (water resistant)	27
Blade shaft repair kit	28
Screw sealing, gluten and lubricative	28
Last text page	28

The spare parts marked with „Q” are important for the verification, i. e. at the assembly of these parts the verification seal is destroyed. These parts can be purchased only at authorized Bizerba representations.

On the image and text section spear and wear parts are highlighted with (V).

Series (code No.) 90.032	Spare parts list No. 037.98.3.1004	SE 12	Text page 1
------------------------------------	----------------------------------------------	--------------	-----------------------

Number in drawing	Order number	Piece	Designation	from status onwards
17	60374010000	001	LIFTING LEVER	X
	60374302100	001	LIFTING UNIT WR	
17-1	60374000800	001	LIFTING DEVICE PRE-ASSEMBLED	
17-1-1	60374000500	001	ARM	
17-1-5	60374000300	001	LIFT FOOT BLOCK	
17-1-10	60374000200	001	LIFTING DEVICE STOPPER	
17-1-15	60374000100	001	LIFT FOOT	
17-1-20	60374000600	001	SHAFT	
17-1-25	60224000400	002	ROLLER	
17-1-30	60510100053	002	HEXAGON SETSCREW M 6X7X9	
17-1-35	56359570000	003	GROOVED PIN DIN 1473-4X18-A2	
17-1-40	56359380000	001	GROOVED PIN DIN 1473-4X20-A2	
17-1-45	56086280000	001	BALL KNOB DIN 319-C 40 M12	
17-1-50	50001250000	002	BUSH 12X14X10	
17-5	57743461000	002	SOCKET HEAD SCREW DIN 912-M 6X35-A2-70	
	57743480000	002	SOCKET HEAD SCREW DIN 912-M 6X45-A2-70 (WR)	
17-6	57743540000	002	SOCKET HEAD SCREW DIN 912-M 6X80-A2-70	
	57743530000	002	SOCKET HEAD SCREW DIN 912-M 6X90-A2-70 (WR)	
17-10	60300020003	004	INTERMEDIATE RING	
17-12	56046250000	002	SETSCREW DIN 551-M 6X25-A2-70	
	56083580000	002	SETSCREW DIN 913-M 6X16-A2-70 (WR)	
17-15	60374000401	002	SPACER SLEEVE	
	60374305000	002	SPACER BOLT 38 (WR)	
17-25	57431250000	002	HEXAGON SCREW DIN 933-M 6X25-A2-70	
	57431350000	002	HEXAGON SCREW DIN 933-M 6X35-A2-70 (WR)	
17-30	57767060000	002	SPR. LOCK WASHER DIN 126-A6-FST	
20	60370200001	001	CARRIAGE HORIZONTAL CEN	
	60370900001	001	CARRIAGE HORIZONTAL CEN BEL	
20-1	60370200201	001	CARRIAGE FOOT 0 DEGREE	
20-4	56768100000	001	WASHER DIN 125-A 13-PA66	
20-5	60800204600	001	STAR KNOB WITH BOLT	
20-5-1	56087070000	001	STAR KNOB DIN 6335-K 63 M12-CUZN	
20-5-2	60220400500	001	THREADED BOLT	
20-7	57753800000	001	RETAINING WASHER DIN 6799-8-1.4122	
20-20	60370203601	001	CARRIAGE PLATE PRE-MOUNT.	
20-21	57440490000	002	COUNTERS.SCR. DIN 7991-M 8X60-8.8	
20-23	57440460000	002	COUNTERS.SCR. ISO 10642-M 8X25-8.8	
20-25	60370200400	001	THREADED ROD	
20-35	56765070000	001	WASHER DIN 9021-8,4-A2-70	
20-36	57767080000	001	SPR. LOCK WASHER DIN 128-A8-FST	
20-37	56456800000	001	HEXAGON NUT DIN 934-M 8-X5CRNI18-10	
20-40	40220000201	004	PROTECTIVE PLUG 12.2 KNURLED	
20-60	60370200600	001	BEARING PEDESTAL	
20-62	56972510000	002	MUSHROOM HEAD SCREW M 4X12-A2-70	

Bitte unbedingt 11-stellige **Bestell-Nr.** angeben • Please always indicate 11 digit **Order No.** • Absolutement nécessaire d'indiquer **No. de commande** (11 chiffres) • Favorisca specificarci sempre il **N. di ordine** a 11 cifre • Es imprescindible que citen el **No. de pedido** (11 guarismos)

Text page 2	SE 12	Spare parts list No. 037.98.3.1004	Series (code No.) 90.032
-----------------------	--------------	----------------------------------------------	------------------------------------

Number in drawing	Order number	Piece	Designation	from status onwards
20-70	60370201100	001	STOP	
20-72	56972490000	002	MUSHROOM HEAD SCREW M 4X8-A2-70	
20-79	60270200500	001	SHOCK ABSORBER	
20-80	60370200900	001	GUIDING SHAFT	
20-81	60270200500	002	SHOCK ABSORBER	
20-82	50001510000	003	DISC SPRING DIN 151 11X6.2X0.3	
20-100	60370203101	001	SLIDER PROTECTIVE INCLUD ARM	
	60370903101	001	SLIDER PROTECTIVE DEVICE + LEVER BEL	
20-100-1	60370201200	001	LEVER, PREASSEMBLED	
20-100-1-1	60370201400	001	LEVER HORIZONTAL	
20-100-1-5	50001160000	002	BUSH MB 1215	
20-100-1-10	40300900005	001	BOLT	
20-100-1-20	60370401500	001	BOLT	
20-100-1-25	56337160000	001	GROOVED PIN DIN 1474-5X16 A2-70	
20-100-3	60370203203	001	GUARD PLATE	
20-100-4	60370204800	001	GUARD PLATE BEL	
20-100-5	60270201802	001	WASHER WITH BOLT	
20-100-7	60220401600	001	LOCK WASHER	
20-100-8	60370403900	001	LOCK WASHER BEL	
20-100-9	60220403800	001	WASHER	
20-100-11	60370202000	001	SHAFT	
20-100-15	50001540000	001	DISC SPRING 23,7X14,3X0,3	
20-100-17	60352302300	001	THRUST WASHER	
20-100-19	60353801402	001	HANDLE	
20-100-21	56739080000	001	WASHER DIN 125-A 8,4-A2-70	
20-100-23	57767080000	001	SPR. LOCK WASHER DIN 128-A8-FST	
20-100-25	57743740000	001	SOCKET HEAD SCREW DIN 912-M 8X50-A2-70	
20-100-27	60220000802	001	PROTECTIVE PLUG 27;2 KNURLED	
20-140	60370200800	001	BEARING PEDESTAL	
20-142	56972510000	002	MUSHROOM HEAD SCREW M 4X12-A2-70	
20-150	60353602702	001	BACKWARD COVER	
20-151	60353602800	001	ADHESIVE FOIL	
20-152	56765040000	004	WASHER DIN 9021-4,3-A2-70	
	56739040000	004	WASHER DIN 125-A 4,3-A2-70	
20-153	57767040000	004	SPR. LOCK WASHER DIN 128-A4-FST	
20-154	56456400000	004	HEXAGON NUT DIN 934-M 4-A2-70	
20-161	60370402200	004	PROTECTIVE PLUG	
20-170	60370203500	001	BAR	
20-171	56972780000	002	MUSHROOM HEAD SCREW M 6X8-A2-70	
20-175	56046530000	001	SETSCREW DIN 551-M 10X35-A2-70	
20-177	60370203400	001	SEALING	
20-178	60370303700	001	HANDHOLD 28X90 M10	
20-199	60370202400	001	GUIDE BAR	
20-200	56008200000	002	SELF CLINCHING STUD FHS-M4-12-A2-70	
20-201	60274600400	002	ROUND NUT	
20-202	60274600500	001	ROUND NUT (BELGIUM)	

Bitte unbedingt 11-stellige **Bestell-Nr.** angeben • Please always indicate 11 digit **Order No.** • Absolutement nécessaire d'indiquer **No. de commande** (11 chiffres) • Favorisca specificarci sempre il **N. di ordine** a 11 cifre • Es imprescindible que citen el **No. de pedido** (11 guarismos)

Series (code No.) 90.032	Spare parts list No. 037.98.3.1004	SE 12	Text page 3
------------------------------------	----------------------------------------------	--------------	-----------------------

Number in drawing	Order number	Piece	Designation	from status onwards
20-203	60370202601	001	SLIDER	
20-203-1	60381801000	001	SLIDER	
20-203-3	56047610000	001	SETSCREW DIN 551-M 6X8-PA	
20-203-10	60370202901	001	RULER; WELDED	
20-203-12	60380402200	002	SLIDE PIN	
20-203-15	56070570000	001	SETSCREW DIN 926-M 6X7,5X11,5-A2-70	
20-203-16	56777100000	001	SEALING WASHER DIN 470-10-AL	
21		001	CARRIAGE INCLINATION 18 L	
		001	CARRIAGE CEN 18 L ALU ONE-PART 150MM	
21-1	60370300201	001	CARRIAGE FOOT 18L	
21-4	56768100000	001	WASHER DIN 125-A 13-PA66	
21-5	60800204600	001	STAR KNOB WITH BOLT	
21-5-1	56087070000	001	STAR KNOB DIN 6335-K 63 M12-CUZN	
21-5-2	60220400500	001	THREADED BOLT	
21-7	57753800000	001	RETAINING WASHER DIN 6799-8-1.4122	
21-20	60370303602	001	CARRIAGE PLATE PREASSEM.	
	60370320100	001	CARRIAGE PLATE CPL. ALU ONE-PART 150MM, WELDED	
21-21	57440490000	002	COUNTERS.SCR. DIN 7991-M 8X60-8.8	
21-23	57440460000	002	COUNTERS.SCR. ISO 10642-M 8X25-8.8	
21-25	60370300400	001	THREADED ROD 18L	
21-35	56765070000	001	WASHER DIN 9021-8,4-A2-70	
21-36	57767080000	001	SPR. LOCK WASHER DIN 128-A8-FST	
21-37	56456800000	001	HEXAGON NUT DIN 934-M 8-X5CRN18-10	
21-40	40220000201	004	PROTECTIVE PLUG 12.2 KNURLED	
21-60	60370200600	001	BEARING PEDESTAL	
21-62	56972510000	002	MUSHROOM HEAD SCREW M 4X12-A2-70	
21-70	60370201100	001	STOP	
21-72	56972490000	002	MUSHROOM HEAD SCREW M 4X8-A2-70	
21-79	60270200500	001	SHOCK ABSORBER	
21-80	60370300900	001	GUIDING SHAFT	
21-81	60270200500	002	SHOCK ABSORBER	
21-82	50001510000	003	DISC SPRING DIN 151 11X6.2X0.3	
21-100	60370303101	001	SLIDER PROTECTING DEVICE + LEVER	
	60370313100	001	SLIDER PROTECTING DEVICE + LEVER GRIVORY	
21-100-1	60370301200	001	LEVER, PREASSEMBLED 18 DEGREES	
21-100-1-1	60370301400	001	LEVER, 18 DEGREES	
21-100-1-5	50001160000	002	BUSH MB 1215	
21-100-1-10	40300900005	001	BOLT	
21-100-1-20	60370401500	001	BOLT	
21-100-1-25	56337160000	001	GROOVED PIN DIN 1474-5X16 A2-70	
21-100-3	60370203203	001	GUARD PLATE	
	60370413200	001	GUARD PLATE GRIVORY	
21-100-5	60270201802	001	WASHER WITH BOLT	
21-100-7	60220401600	001	LOCK WASHER	
21-100-9	60220403800	001	WASHER	
21-100-11	60370202000	001	SHAFT	
21-100-15	50001540000	001	DISC SPRING 23,7X14,3X0,3	

Text page 4	SE 12	Spare parts list No. 037.98.3.1004	Series (code No.) 90.032
-----------------------	--------------	----------------------------------------------	------------------------------------

Number in drawing	Order number	Piece	Designation	from status onwards
21-100-17	60352302300	001	THRUST WASHER	
21-100-19	60353801402	001	HANDLE	
21-100-21	56739080000	001	WASHER DIN 125-A 8,4-A2-70	
21-100-23	57767080000	001	SPR. LOCK WASHER DIN 128-A8-FST	
21-100-25	57743740000	001	SOCKET HEAD SCREW DIN 912-M 8X50-A2-70	
21-100-27	60220000802	001	PROTECTIVE PLUG 27;2 KNURLED	
21-140	60370200800	001	BEARING PEDESTAL	
21-142	56972510000	002	MUSHROOM HEAD SCREW M 4X12-A2-70	
21-148	60370401900	004	SCREW	
21-150	60370302100	001	REAR WALL WIDE	
21-151	60370402001	001	FOIL	
21-152	56739050000	004	WASHER DIN 125-A 5,3 -A2-70	
21-153	57767050000	004	SPR. LOCK WASHER DIN 128-A5-FST	
21-154	56444500000	004	HEXAGON NUT DIN 439-BM5-A2-70	
21-161	60370402200	004	PROTECTIVE PLUG	
21-170	60370403500	001	BAR	
21-171	56972780000	002	MUSHROOM HEAD SCREW M 6X8-A2-70	
21-175	56046530000	001	SETSCREW DIN 551-M 10X35-A2-70	
21-177	60370203400	001	SEALING	
21-178	60370303700	001	HANDHOLD 28X90 M10	
21-200	60380402400	001	PROTECTIVE PLATE	
21-210	60274601000	002	BOLT	
22		001	CARRIAGE 18 L INCLINED SLICER	
22-1	60370300201	001	CARRIAGE FOOT 18L	
22-4	56768100000	001	WASHER DIN 125-A 13-PA66	
22-5	60800204600	001	STAR KNOB WITH BOLT	
22-5-1	56087070000	001	STAR KNOB DIN 6335-K 63 M12-CUZN	
22-5-2	60220400500	001	THREADED BOLT	
22-7	57753800000	001	RETAINING WASHER DIN 6799-8-1.4122	
22-20	60372403600	001	CARRIAGE PLATE PRE-MOUNT.	
22-21	57440490000	002	COUNTERS.SCR. DIN 7991-M 8X60-8.8	
22-23	57440460000	002	COUNTERS.SCR. ISO 10642-M 8X25-8.8	
22-25	60370300400	001	THREADED ROD 18L	
22-35	56765070000	001	WASHER DIN 9021-8,4-A2-70	
22-36	57767080000	001	SPR. LOCK WASHER DIN 128-A8-FST	
22-37	56456800000	001	HEXAGON NUT DIN 934-M 8-X5CRNI18-10	
22-40	40220000201	004	PROTECTIVE PLUG 12.2 KNURLED	
22-60	60370200600	001	BEARING PEDESTAL	
22-62	56972510000	002	MUSHROOM HEAD SCREW M 4X12-A2-70	
22-70	60370201100	001	STOP	
22-72	56972490000	002	MUSHROOM HEAD SCREW M 4X8-A2-70	
22-79	60270200500	002	SHOCK ABSORBER	
22-80	60370300900	001	GUIDING SHAFT	
22-81	60270200500	001	SHOCK ABSORBER	
22-82	50001510000	003	DISC SPRING DIN 151 11X6.2X0.3	
22-100		001	SLIDER GUARD + LEVER	
22-100-1		001	LEVER; PRE-MOUNT DIAG. C:18DEGREE	
22-100-1-1	60372401400	001	LEVER DIAGONAL CUT 18 DEGREES	
22-100-1-5	50001160000	002	BUSH MB 1215	

Bitte unbedingt 11-stellige **Bestell-Nr.** angeben • Please always indicate 11 digit **Order No.** • Absolutement nécessaire d'indiquer **No. de commande** (11 chiffres) • Favorisca specificarci sempre il **N. di ordine** a 11 cifre • Es imprescindible que citen el **No. de pedido** (11 guarismos)

Series (code No.) 90.032	Spare parts list No. 037.98.3.1004	SE 12	Text page 5
------------------------------------	----------------------------------------------	--------------	-----------------------

Number in drawing	Order number	Piece	Designation	from status onwards
22-100-1-10	40300900005	001	BOLT	
22-100-1-20	60370401500	001	BOLT	
22-100-1-25	56337160000	001	GROOVED PIN DIN 1474-5X16 A2-70	
22-100-3	60370203203	001	GUARD PLATE	
22-100-5	60270201802	001	WASHER WITH BOLT	
22-100-7	60220401600	001	LOCK WASHER	
22-100-9	60220403800	001	WASHER	
22-100-11	60370202000	001	SHAFT	
22-100-15	50001540000	001	DISC SPRING 23,7X14,3X0,3	
22-100-17	60352302300	001	THRUST WASHER	
22-100-19	60353801402	001	HANDLE	
22-100-21	56739080000	001	WASHER DIN 125-A 8,4-A2-70	
22-100-23	57767080000	001	SPR. LOCK WASHER DIN 128-A8-FST	
22-100-25	57743740000	001	SOCKET HEAD SCREW DIN 912-M 8X50-A2-70	
22-100-27	60220000802	001	PROTECTIVE PLUG 27;2 KNURLED	
22-140	60370200800	001	BEARING PEDESTAL	
22-142	56972510000	002	MUSHROOM HEAD SCREW M 4X12-A2-70	
22-148	60370401900	003	SCREW	
22-150	60372302100	001	REAR WALL INCLINED CARR.	
22-151	60372302200	001	ADHESIVE FOIL	
22-152	56739050000	003	WASHER DIN 125-A 5,3 -A2-70	
22-153	57767050000	003	SPR. LOCK WASHER DIN 128-A5-FST	
22-154	56444500000	003	HEXAGON NUT DIN 439-BM5-A2-70	
22-161	60370402200	003	PROTECTIVE PLUG	
22-170	60370403500	001	BAR	
22-171	56972780000	002	MUSHROOM HEAD SCREW M 6X8-A2-70	
22-175	56046530000	001	SETSCREW DIN 551-M 10X35-A2-70	
22-177	60370203400	001	SEALING	
22-178	60370303700	001	HANDHOLD 28X90 M10	
22-200	60380402400	001	PROTECTIVE PLATE	
22-220	60372300400	001	SUPPORTING PLATE	
22-225	60372305300	001	TRUNNION	
22-227	50002310000	001	PROTECTIVE PLUG TL-4-044	
22-228	56359300000	001	GROOVED PIN DIN 1473-3X12-A2	
22-230		001	DIAGONAL CUT PLATE CPL.	
22-230-1	60372305100	001	DIAGONAL CUT PLATE	
22-230-2	60800305200	001	LOCKING BOLT	
22-300	56008200000	002	SELF CLINCHING STUD FHS-M4-12-A2-70	
22-302	60274600400	002	ROUND NUT	
22-304	60370202400	001	GUIDE BAR	
22-320		001	SALAMI GUIDE	
22-320-1	60381801000	001	SLIDER	
22-320-3	56047610000	001	SETSCREW DIN 551-M 6X8-PA	
22-320-10	60381800701	001	RULER, SOLDERED	
22-320-12	60380402200	002	SLIDE PIN	
22-320-15	56070570000	001	SETSCREW DIN 926-M 6X7,5X11,5-A2-70	
22-320-16	56777100000	001	SEALING WASHER DIN 470-10-AL	

Text page 6	SE 12	Spare parts list No. 037.98.3.1004	Series (code No.) 90.032
-----------------------	--------------	----------------------------------------------	------------------------------------

Number in drawing	Order number	Piece	Designation	from status onwards
23		001	CLAMPING CARRIAGE CEN 18L	
		001	CLAMPING CARRIAGE CEN 18L ALU ONE-PART WELD.	
23-1	60370300201	001	CARRIAGE FOOT 18L	
23-5	60800204600	001	STAR KNOB WITH BOLT	
23-5-1	56087070000	001	STAR KNOB DIN 6335-K 63 M12-CUZN	
23-5-2	60220400500	001	THREADED BOLT	
23-41	56768100000	001	WASHER DIN 125-A 13-PA66	
23-42	57753800000	001	RETAINING WASHER DIN 6799-8-1.4122	
23-50	60380400201	001	CARRIAGE PLATE	
	60380620100	001	CARRIAGE PLATE ALU ONE-PART (WITH REAE WALL)	
23-51	57440490000	002	COUNTERS.SCR. DIN 7991-M 8X60-8.8	
23-52	57440460000	002	COUNTERS.SCR. ISO 10642-M 8X25-8.8	
23-53	56765070000	001	WASHER DIN 9021-8,4-A2-70	
23-54	57767080000	001	SPR. LOCK WASHER DIN 128-A8-FST	
23-56	56456800000	001	HEXAGON NUT DIN 934-M8-X5CRN118-10	
23-57	60370300400	001	THREADED ROD 18L	
23-59	40220000201	004	PROTECTIVE PLUG 12.2 KNURLED	
23-60	60354300800	001	SLIDING BAR	
23-61	60354301000	001	ADHESIVE FOIL	
23-62	56739040000	004	WASHER DIN 125-A 4,3-A2-70	
23-63	56400890000	004	LOCKNUT DIN 985-M4-A2-70	
23-70	60380400800	001	BEARING, BEHIND	
23-71	60380400600	001	BEARING, FRONT	
23-72	57767050000	002	SPR. LOCK WASHER DIN 128-A5-FST	
23-74	57430160000	002	HEXAGON SCREW DIN 933-M 5X16-A2	
23-75	56972510000	002	MUSHROOM HEAD SCREW M 4X12-A2-70	
23-80	60354301500	001	GUIDE SHAFT	
23-82	50001510000	003	DISC SPRING DIN 151 11X6.2X0.3	
23-84	60353601700	001	SHOCK ABSORBER	
23-86	60380400900	001	GUIDING SHAFT	
23-90	60380401100	001	STOP 18L	
23-92	57630540000	002	COUNTERS.SCR. DIN 963-M 5X16-A2-70	
23-100	60380401200	001	GUIDE PREASSEMBLED	
23-100-82	60380401400	001	GUIDE	
23-100-83	50001170000	002	BUSH MB 1415	
23-100-84	60380401600	001	THREADED BOLT	
23-100-85	56087080000	001	STAR KNOB DIN 6335-K 50 M8	
23-100-87	60380401500	001	ARM	
23-100-88	57767060000	001	SPR. LOCK WASHER DIN 126-A6-FST	
23-100-89	56739060000	002	WASHER DIN 125-A 6,4-A2-70	
23-100-90	57743440000	001	SOCKET HEAD SCREW DIN 912-M 6X25-A2-70	
23-100-94	60380401700	001	SPRING BOLT	
23-100-95	40110201104	001	PRESSURE SPRING 0110201104	
23-100-97	56070470000	002	SETSCREW DIN 926-M 4X4X2,5	
23-100-99	40110102102	002	BOLT 7X 1	
23-100-101	56395310000	001	SHAFT SEAL INA G6X10X2	
23-100-102	56187740000	001	PARALLEL PIN DIN 7-4M 6X20-A2	
23-104	50275110000	001	PRESSURE SPRING VD-124	

Bitte unbedingt 11-stellige **Bestell-Nr.** angeben • Please always indicate 11 digit **Order No.** • Absolutement nécessaire d'indiquer **No. de commande** (11 chiffres) • Favorisca specificarci sempre il **N. di ordine** a 11 cifre • Es imprescindible que citen el **No. de pedido** (11 guarismos)

Series (code No.) 90.032	Spare parts list No. 037.98.3.1004	SE 12	Text page 7
------------------------------------	----------------------------------------------	--------------	-----------------------

Number in drawing	Order number	Piece	Designation	from status onwards
23-105	57753500000	002	RETAINING WASHER DIN 6799-5-1.4122	
23-106	56739060000	001	WASHER DIN 125-A 6,4-A2-70	
23-107	38002070000	001	TENSION ROD	
23-108	56087170000	001	MUSHR.-SH. HANDLE GN 76-21-M6-D	
23-110	50001240000	001	BUSH MB 0606 DU	
23-120	60353800703	001	GUARD PLATE + LEVER ALSO SE12D	
	60380601100	001	GUARD PLATE + LEVER GRIVORY	
23-120-121	60353603301	001	LEVER PREASSEMBLED	
23-120-121-3	38006643000	002	BUSH MB 1012	
23-120-121-4	50001160000	002	BUSH MB 1215	
23-120-121-5	56337160000	001	GROOVED PIN DIN 1474-5X16 A2-70	
23-120-121-6	60260206700	001	STOP	
23-120-121-7	57630630000	001	COUNTERS.SCR. DIN 963-M 6X16-A2-70	
23-120-121-8	60260206803	001	BEARING BOLT	
23-120-121-9	60353603500	001	BUTTON	
23-120-122	00110500002	001	WASHER 6.2X0.5	
23-120-123	60260207003	001	SWITCH LEVER	
23-120-125	40182400005	001	PRESSURE SPRING 0182400005	
23-120-126	60220003700	001	STOP PIN	
23-120-134	60353801703	001	GUARD PLATE	
	60380601200	001	GUARD PLATE GRIVORY	
23-120-136	60270201802	001	WASHER WITH BOLT	
23-120-141	60220401600	001	LOCK WASHER	
23-120-142	60260207100	001	SHAFT	
23-120-144	60220403800	001	WASHER	
23-120-145	00110000074	003	WASHER	
23-120-146	50001690000	001	DISC SPRING 21,8X12,3X0,25	
23-120-147	60260207200	001	CUP DISK	
23-120-148	56444800000	001	HEXAGON NUT DIN 439-BM8-A2-70	
23-120-155	60260207301	001	GEAR WHEEL	
23-120-156	60260212500	001	STOP	
23-120-157	60260207502	001	COVER	
23-120-158	57451200000	001	COUNTERS.SCR. DIN 965-M 4X10-A2-70	
23-120-159	60353801201	001	LEVER EXTENSION ASSEMBLED	
23-120-159-2	57743740000	001	SOCKET HEAD SCREW DIN 912-M 8X50-A2-70	
23-120-159-3	56739080000	002	WASHER DIN 125-A 8,4-A2-70	
23-120-159-4	60260212400	001	STOP PIN	
23-120-159-5	60353801402	001	HANDLE	
23-120-159-6	60220000802	001	PROTECTIVE PLUG 27;2 KNURLED	
23-120-160	60260211900	001	THRUST WASHER	
23-120-161	60260212300	001	THRUST WASHER	
23-120-162	60260207800	001	DIVOT NUT	
23-120-163	57750010000	001	DISK SR1947 6,2	
23-120-164	56413060000	001	HEXAGON CAP NUT DIN 917 M6 A2-70	
23-122	60220001100	002	THRUST WASHER	
23-124	60260212200	006	WASHER	
23-126	60353602300	001	SHAFT	

Text page 8	SE 12	Spare parts list No. 037.98.3.1004	Series (code No.) 90.032
-----------------------	--------------	----------------------------------------------	------------------------------------

Number in drawing	Order number	Piece	Designation	from status onwards
23-128	56322570000	001	GROOVED TAPER P. DIN 1471-4X24-A2-70	
23-140	60364302600	001	SUPPORTING PLATE COMPL.	
23-148	60370401900	004	SCREW	
23-150	60370302100	001	REAR WALL WIDE	
23-151	60370402001	001	FOIL	
23-152	56739050000	004	WASHER DIN 125-A 5,3 -A2-70	
23-153	57767050000	004	SPR. LOCK WASHER DIN 128-A5-FST	
23-154	56444500000	004	HEXAGON NUT DIN 439-BM5-A2-70	
23-161	60370402200	004	PROTECTIVE PLUG	
23-170	60370403500	001	BAR	
23-171	56972780000	002	MUSHROOM HEAD SCREW M 6X8-A2-70	
23-175	56046530000	001	SETSCREW DIN 551-M 10X35-A2-70	
23-177	60370203400	001	SEALING	
23-178	60370303700	001	HANDHOLD 28X90 M10	
23-200	60380402400	001	PROTECTIVE PLATE	
23-300	56008200000	002	SELF CLINCHING STUD FHS-M4-12-A2-70	
23-302	60274600400	001	ROUND NUT	
23-303	60274600500	001	ROUND NUT	
23-304	60370202400	001	GUIDE BAR	
23-320	60380402001	001	PRODUCT FIXATION DEVICE ASSEMBLED	
23-320-1	60380402101	001	SLIDER	
23-320-2	60380402301	001	PRODUCT FIXATION DEVICE	
23-320-5	60380402200	002	SLIDE PIN	
23-320-6	56836380000	002	COUNTERS.SCR. DIN 966-M 4X20-A2-70	
23-320-8	56047610000	001	SETSCREW DIN 551-M 6X8-PA	
23-320-9	56777100000	002	SEALING WASHER DIN 470-10-AL	
24		001	CARRIAGE 25 L	
		001	CARRIAGE 25 H USA	
		001	CARRIAGE 25 H USA ALU RW	
		001	CARRIAGE 25 H USA GRIVORY RW	
24-1	60370400201	001	CARRIAGE FOOT 25 L	
	60370500201	001	CARRIAGE FOOT 25 H	
24-4	56768100000	001	WASHER DIN 125-A 13-PA66	
24-5	60800204600	001	STAR KNOB WITH BOLT	
24-5-1	56087070000	001	STAR KNOB DIN 6335-K 63 M12-CUZN	
24-5-2	60220400500	001	THREADED BOLT	
24-7	57753800000	001	RETAINING WASHER DIN 6799-8-1.4122	
24-20	60370403603	001	CARRIAGE PLATE PRE-MOUNT. 25L	
	60371500200	001	CARRIAGE PLATE PRE-MOUNT. 25H (3-HOLE-REAR WALL)	
	60381800201	001	CARRIAGE PLATE PRE-MOUNT. 25H (4-HOLE-REAR WALL)	
24-21	57440490000	002	COUNTERS.SCR. DIN 7991-M 8X60-8.8	
24-23	57440460000	002	COUNTERS.SCR. ISO 10642-M 8X25-8.8	
24-25	60370500400	001	THREADED ROD 25H	
	60370400400	001	THREADED ROD 25L	
24-27	57440470000	001	COUNTERS.SCR. DIN 7991-M 8X40-8.8	
24-35	56765070000	001	WASHER DIN 9021-8,4-A2-70	
24-36	57767080000	001	SPR. LOCK WASHER DIN 128-A8-FST	

Bitte unbedingt 11-stellige **Bestell-Nr.** angeben • Please always indicate 11 digit **Order No.** • Absolutement nécessaire d'indiquer **No. de commande**
(11 chiffres) • Favorisca specificarci sempre il **N. di ordine** a 11 cifre • Es imprescindible que citen el **No. de pedido** (11 guarismos)

Series (code No.) 90.032	Spare parts list No. 037.98.3.1004	SE 12	Text page 9
------------------------------------	----------------------------------------------	--------------	-----------------------

Number in drawing	Order number	Piece	Designation	from status onwards
24-37	56456800000	001	HEXAGON NUT DIN 934-M8-X5CRNI18-10	
24-40	40220000201	004	PROTECTIVE PLUG 12.2 KNURLED	
24-60	60370400600	001	PLASTIC BLOCK FOR BEARING	
24-62	56972510000	002	MUSHROOM HEAD SCREW M 4X12-A2-70	
24-70	60370500601	001	ARRESTER	
24-72	57630440000	001	COUNTERS.SCR. DIN 963-M 4X12-A2-70	
24-80	60381800400	001	GUIDE SHAFT	
24-82	50001510000	003	DISC SPRING DIN 151 11X6.2X0.3	
24-85	60370403400	001	BUSHING	
24-86	56327290000	001	GROOVED PIN DIN EN 28745-4X8-A2-70	
24-100	60370403101	001	SLIDER GARD + LEVER	
	60370413100	001	SLIDER GARD + LEVER GRIVORY	
24-100-1	60370401200	001	LEVER, PREASSEMBLED	
24-100-1-1	60370401401	001	LEVER 25 DEGREE	
24-100-1-5	50001170000	002	BUSH MB 1415	
24-100-1-10	40300900005	002	BOLT	
24-100-1-11	60370402900	001	BOLT	
24-100-1-15	60370403300	001	BOLT M 5	
24-100-1-20	60370403800	001	PIN	
24-100-1-25	56337160000	001	GROOVED PIN DIN 1474-5X16 A2-70	
24-100-3	60370203203	001	SLIDER GUARD PLATE	
	60370413200	001	SLIDER GUARD PLATE GRIVORY	
24-100-5	60270201802	001	WASHER WITH BOLT	
24-100-7	60220401600	001	LOCK WASHER	
24-100-9	60220403800	001	WASHER	
24-100-11	60370403000	001	BOLT	
24-100-15	50001540000	001	DISC SPRING 23,7X14,3X0,3	
24-100-17	60352302300	001	THRUST WASHER	
24-100-19	60370303700	001	HANDHOLD 28X90 M10	
24-101	60370403200	001	SLIDER GARD WITHOUT LEVER (SERVICE)	
24-140	60381800504	001	CARRIER	
24-141	50002310000	001	PROTECTIVE PLUG TL-4-044	
24-142	57630540000	003	COUNTERS.SCR. DIN 963-M 5X16-A2-70	
24-148	60370401900	003	SCREW	
24-150	60370404400	001	REAR WALL SMALL, SERVICE (4-HOLES)	
	60370404600	001	REAR WALL ALUMINIUM (3-HOLES)	
	60370404801	001	REAR WALL SMALL 150 GRIVORY (3-HOLES)	
24-151	60370402001	001	FOIL	
	95944300000	000	KITCHEN SILICONE BY KNAUF ELASTO4710 (USA)	
24-152	56739050000	004	WASHER DIN 125-A 5,3 -A2-70	
24-153	57767050000	004	SPR. LOCK WASHER DIN 128-A5-FST	
24-154	56444500000	004	HEXAGON NUT DIN 439-BM5-A2-70	
24-161	60370402200	004	PROTECTIVE PLUG	
	60370412201	003	PROTECTING PLUG 14,2 MM	
	56777190000	003	SEALING WASHER DIN 470-18-A2	

Bitte unbedingt 11-stellige **Bestell-Nr.** angeben • Please always indicate 11 digit **Order No.** • Absolutement nécessaire d'indiquer **No. de commande** (11 chiffres) • Favorisca specificarci sempre il **N. di ordine** a 11 cifre • Es imprescindible que citen el **No. de pedido** (11 guarismos)

Text page 10	SE 12	Spare parts list No. 037.98.3.1004	Series (code No.) 90.032
------------------------	--------------	----------------------------------------------	------------------------------------

Number in drawing	Order number	Piece	Designation	from status onwards
24-170	60370403500	001	BAR	
24-171	56972780000	002	MUSHROOM HEAD SCREW M 6X8-A2-70	
24-175	56046530000	001	SETSCREW DIN 551-M 10X35-A2-70	
24-177	60370203400	001	SEALING	
24-178	60370303700	001	HANDHOLD 28X90 M10	
24-200	60274601000	002	BOLT	
25		001	CARRIAGE 25 H	
25-1	60370500201	001	CARRIAGE FOOT 25 H	
25-4	56768100000	001	WASHER DIN 125-A 13-PA66	
25-5	60800204600	001	STAR KNOB WITH BOLT	
25-5-1	56087070000	001	STAR KNOB DIN 6335-K 63 M12-CUZN	
25-5-2	60220400500	001	THREADED BOLT	
25-7	57753800000	001	RETAINING WASHER DIN 6799-8-1.4122	
25-20	60381800201	001	CARRIAGE PLATE PRE-ASSEMBLED 25H	
25-21	57440490000	002	COUNTERS.SCR. DIN 7991-M 8X60-8.8	
25-23	57440460000	001	COUNTERS.SCR. ISO 10642-M 8X25-8.8	
25-25	60370500400	001	THREADED ROD 25H	
25-27	57440470000	001	COUNTERS.SCR. DIN 7991-M 8X40-8.8	
25-35	56765070000	001	WASHER DIN 9021-8,4-A2-70	
25-36	57767080000	001	SPR. LOCK WASHER DIN 128-A8-FST	
25-37	56456800000	001	HEXAGON NUT DIN 934-M8-X5CRN118-10	
25-40	40220000201	004	PROTECTIVE PLUG 12.2 KNURLED	
25-60	60370400600	001	PLASTIC BLOCK FOR BEARING	
25-62	56972510000	002	MUSHROOM HEAD SCREW M 4X12-A2-70	
25-70	60370500601	001	ARRESTER	
25-72	57630440000	001	COUNTERS.SCR. DIN 963-M 4X12-A2-70	
25-80	60381800400	001	GUIDE SHAFT	
25-82	50001510000	003	DISC SPRING DIN 151 11X6.2X0.3	
25-85	60370403400	001	BUSHING	
25-86	56327290000	001	GROOVED PIN DIN EN 28745-4X8-A2-70	
25-140	60381800504	001	CARRIER	
25-141	50002310000	001	PROTECTIVE PLUG TL-4-044	
25-142	57630540000	003	COUNTERS.SCR. DIN 963-M 5X16-A2-70	
25-148	60370401900	004	SCREW	
25-150	60370404400	001	REAR WALL 4-HOLES SMALL (SERVICE)	
25-152	56739050000	004	WASHER DIN 125-A 5,3 -A2-70	
25-153	57767050000	004	SPR. LOCK WASHER DIN 128-A5-FST	
25-154	56444500000	004	HEXAGON NUT DIN 439-BM5-A2-70	
25-161	60370402200	004	PROTECTIVE PLUG	
25-170	60370403500	001	BAR	
25-171	56972780000	002	MUSHROOM HEAD SCREW M 6X8-A2-70	
25-175	56046530000	001	SETSCREW DIN 551-M 10X35-A2-70	
25-177	60370203400	001	SEALING	
25-178	60370303700	001	HANDHOLD 28X90 M10	
25-300	56008200000	002	SELF CLINCHING STUD FHS-M4-12-A2-70	
25-302	60274600400	002	ROUND NUT	
25-304	60370202400	001	GUIDE BAR	

Bitte unbedingt 11-stellige **Bestell-Nr.** angeben • Please always indicate 11 digit **Order No.** • Absolutement nécessaire d'indiquer **No. de commande**
(11 chiffres) • Favorisca specificarci sempre il **N. di ordine** a 11 cifre • Es imprescindible que citen el **No. de pedido** (11 guarismos)

Series (code No.) 90.032	Spare parts list No. 037.98.3.1004	SE 12	Text page 11
------------------------------------	----------------------------------------------	--------------	------------------------

Number in drawing	Order number	Piece	Designation	from status onwards
26		001	CARRIAGE 25 L CAN ALU WELDED	
		001	CARRIAGE 25 H CAN ALU WELDED	
		001	CARRIAGE 25 H USA ALU WELDED	
26-1	60370400201	001	CARRIAGE FOOT 25 L	
	60370500201	001	CARRIAGE FOOT 25 H	
26-4	56768100000	001	WASHER DIN 125-A 13-PA66	
26-5	60800204600	001	STAR KNOB WITH BOLT	
26-5-1	56087070000	001	STAR KNOB DIN 6335-K 63 M12-CUZN	
26-5-2	60220400500	001	THREADED BOLT	
26-7	57753800000	001	RETAINING WASHER DIN 6799-8-1.4122	
26-20	60381510100	001	CARRIAGE PLATE CPL. 25 H CAN WELDED	
	60371401100	001	CARRIAGE PLATE CPL. 25 L CAN FRICTION STIR WELDED	
	60371520100	001	CARRIAGE PLATE CPL. 25 H USA FRICTION STIR WELDED	
26-21	57440490000	002	COUNTERS.SCR. DIN 7991-M 8X60-8.8	
26-23	57440460000	002	COUNTERS.SCR. ISO 10642-M 8X25-8.8	
26-25	60370500400	001	THREADED ROD 25 H	
	60370400400	001	THREADED ROD 25 L	
26-27	57440470000	001	COUNTERS.SCR. DIN 7991-M 8X40-8.8	
26-35	56765070000	001	WASHER DIN 9021-8,4-A2-70	
26-36	57767080000	001	SPR. LOCK WASHER DIN 128-A8-FST	
26-37	56456800000	001	HEXAGON NUT DIN 934-M8-X5CRNI18-10	
26-40	40220000201	004	PROTECTIVE PLUG 12.2 KNURLED	
26-60	60370400600	001	PLASTIC BLOCK FOR BEARING	
26-62	56972510000	002	MUSHROOM HEAD SCREW M 4X12-A2-70	
26-70	60370500601	001	ARRESTER	
26-72	57630440000	001	COUNTERS.SCR. DIN 963-M 4X12-A2-70	
26-80	60381800400	001	GUIDE SHAFT	
26-82	50001510000	003	DISC SPRING DIN 151 11X6.2X0.3	
26-85	60370403400	001	BUSHING	
26-86	56327290000	001	GROOVED PIN DIN EN 28745-4X8-A2-70	
26-140	60381800504	001	CARRIER	
26-141	50002310000	001	PROTECTIVE PLUG TL-4-044	
26-142	57630540000	003	COUNTERS.SCR. DIN 963-M 5X16-A2-70	
26-170	60370403500	001	BAR	
26-171	56972780000	002	MUSHROOM HEAD SCREW M 6X8-A2-70	
26-175	56046530000	001	SETSCREW DIN 551-M 10X35-A2-70	
26-177	60370203400	001	SEALING	
26-178	60370303700	001	HANDHOLD 28X90 M10	
26-200	60274601000	002	BOLT	
30	60384601500	001	RETROFITTING SET ONE-PART 25 ALU CARRIAGE	
30-20	60371520100	001	CARRIAGE PLATE CPL. FRICTION STIR WELDED	
30-60	60370400600	001	PLASTIC BLOCK FOR BEARING	
30-62	56972510000	002	MUSHROOM HEAD SCREW M 4X12-A2-70	

Text page 12	SE 12	Spare parts list No. 037.98.3.1004	Series (code No.) 90.032
------------------------	--------------	----------------------------------------------	------------------------------------

Number in drawing	Order number	Piece	Designation	from status onwards
30-70	60370500601	001	ARRESTER	
30-72	57630440000	001	COUNTERS.SCR. DIN 963-M 4X12-A2-70	
30-80	60381800400	001	GUIDE SHAFT	
30-82	50001510000	003	DISC SPRING DIN 151 11X6.2X0.3	
30-85	60370403400	001	BUSHING	
30-86	56327290000	001	GROOVED PIN DIN EN 28745-4X8-A2-70	
30-140	60381800504	001	CARRIER	
30-141	50002310000	001	PROTECTIVE PLUG TL-4-044	
30-142	57630540000	003	COUNTERS.SCR. DIN 963-M 5X16-A2-70	
30-170	60370403500	001	BAR	
30-171	56972780000	002	MUSHROOM HEAD SCREW M 6X8-A2-70	
30-175	56046530000	001	SETSCREW DIN 551-M 10X35-A2-70	
30-177	60370203400	001	SEALING	
30-178	60370303700	001	HANDHOLD 28X90 M10	
30-200	60274601000	002	BOLT	
31	60374605002	001	RETROFITTING SET REAR WALL LEXAN TO ALU	
31-20	60370405100	001	REAR WALL	
31-40	60370401900	004	SCREW	
31-50	56739050000	004	WASHER DIN 125-A 5,3 -A2-70	
31-60	57767050000	004	SPR. LOCK WASHER DIN 128-A5-FST	
31-70	56444500000	004	HEXAGON NUT DIN 439-BM5-A2-70	
31-80	56777190000	004	SEALING WASHER DIN 470-18-A2	
40	60736200100	001	ARMOURED MAINS CABLE AC EURO L = 2.5M	
41	60476200102	001	POWER LEAD CEKON CURVED CONNECTOR	
43	40300057700	001	POWER CONNECTING CABLE	
44	00110038600	001	POWER LEAD WITHOUT PLUG	
45	60806200100	001	MAINS CABLE 3-PH.CURRENT 4POL. CEE 2.5MM	
46	40110047600	001	POWER LEAD GB	
47	60376200700	001	ARMOURED MAINS CABLE SPIR. L=2,5MUL	
48	60376200800	001	ARMOURED MAINS CABLE SPIR. ANGLE L=2,5MUL	
49	60380315801	001	RUBBER BUSH W. DRILL. HOLES	
52		001	BUILT-IN MOTOR COMPL. AC 100 V 50/60HZ	
		001	BUILT-IN MOTOR COMPL. WR AC 120V 60HZ W. THERMO	
		001	BUILT-IN MOTOR COMPL. AC 120V 60HZ W. THERMO	
		001	BUILT-IN MOTOR COMPL. AC 120V 60HZ W. THERMO	
		001	BUILT-IN MOTOR. COMPL. AC 220V / 60 HZ	
		001	BUILT-IN MOTOR COMPL. AC 230V / 50HZ	
		001	BUILT-IN MOTOR COMPL. DR 230/400 V / 50HZ	
52-2	52022570000	001	BLADE MOTOR AC 100V 50/60HZ	
	52022660000	001	BLADE MOTOR AC 120V 60HZ W. THERMO	
	52022590000	001	BLADE MOTOR AC SRB 1.5/4--A40R AC 220V / 60 HZ	
	52022550000	001	BLADE MOTOR AC SRB 1.5/4-A40R	
	52022510000	001	BLADE MOTOR DR 230/400 V/50HZ	
52-10	60370107201	001	WASHER	
52-11	57442160000	001	COUNTERS.SCR. DIN 7991-M 6X16-A2-70	
52-20	60220104602	001	EXHAUST AIR HOOD, AT THE TOP	
52-21	40220104701	001	EXHAUST AIR HOOD, AT BOTTOM	
52-22	56739040000	003	WASHER DIN 125-A 4,3-A2-70	
52-23	56805410000	003	OVAL-HEAD SCREW DIN 7985-M 4X6-5.8	

Bitte unbedingt 11-stellige **Bestell-Nr.** angeben • Please always indicate 11 digit **Order No.** • Absolutement nécessaire d'indiquer **No. de commande** (11 chiffres) • Favorisca specificarci sempre il **N. di ordine** a 11 cifre • Es imprescindible que citen el **No. de pedido** (11 guarismos)

Series (code No.) 90.032	Spare parts list No. 037.98.3.1004	SE 12	Text page 13
------------------------------------	----------------------------------------------	--------------	------------------------

Number in drawing	Order number	Piece	Designation	from status onwards
60	71092130000	001	CAPACITOR 6 MF 400 VDB	
61	76090090000	001	CAPACITOR 20 MF 220 VDB USA/CAN	
62	71092490000	001	CAPACITOR 25 MF 240 V	
66	60370113800	001	HOLDING ANGLE PLATE	
68	56818430000	001	SELF-TAPP.SCREW DIN 7500-CM 4X8-T20-ST	
69	56739040000	001	WASHER DIN 125-A 4,3-A2-70	
70	60375301120	001	LPB ON-OFF SE 12	
	60375302105	001	LPB ON-OFF 100V SE 12	
	60375301105	001	LPB ON-OFF 120V SE 12	
	60375300105	001	LPB ON-OFF 230V SE 12	
	60375310102	001	LPB ON-OFF PHASE CURRENT WITHOUT ZERO	
	60377020000	001	PROGR.+LPB SHUTDOWN WE SE12	
70-400	71146030000	001	MINIATURE CONTACTOR 230VAC E3250BV15	
	71146090000	001	MINIATURE CONTACTOR 120VAC E3250BV15	
	71146100000	001	MINI CONTACTOR 110VAC E3250BV15	
70-412	71218440000	004	SNAP SWITCH DB3C-C1AA	
70-414	71452190000	001	G-FUSE CARTRIDGE 0,5 T UL NO 19198	
	71452400000	001	FUSE ELEMENT 0.1 L NO. 19195	
70-416	71119000000	001	GLOW LAMP 24V 1200110000	
71	71169070000	001	NYLON CLIPS HP-7N	
72	60266100600	001	STRAND POWER PACK MODULE VS8 L=70MM	
73	60376100100	002	LI CB-X2 L=330MM SE 12	
74	60736190100	002	STRAND SWITCH-CONTACTOR UL	
78	60376000100	001	TRAFO RK 230V/10VA SE12	
	60376000200	001	TRANSFORMER RK 115V/10VA SE12	
79	57743100000	001	SOCKET HEAD SCREW DIN 912-M 4X22-A2-70	
81	60376100200	002	STRAND	
82	60226101300	003	STRAND K1-POWER PACK MODULE SE8	
83	60376800100	001	OPTIONAL CONNECTOR SE 12 AUTOMATIC SHUTOFF	
85	60376400200	001	DECO FOIL SE 12	
	60376400300	001	DECO FOIL ON SE 12	
87	56739040000	001	WASHER DIN 125-A 4,3-A2-70	
88	56805420000	004	OVAL-HEAD SCREW DIN 7985-M 4X8-4.8	
89	57758610000	002	TOOTHED WASHER DIN 6797-A 4,3-FST	
90	94001000016	001	BLADE, TEFLON 4HOLE VS8/SE8/VF330/A400 G+B	
	60530101500	001	BLADE 330 MM DIAMETER A330, A404, VS8, SE8, SG8	
	94001000021	001	BLADE 350 MM DIAMETER G+B VS12F	

Text page 14	SE 12	Spare parts list No. 037.98.3.1004	Series (code No.) 90.032
------------------------	--------------	----------------------------------------------	------------------------------------

Number in drawing	Order number	Piece	Designation	from status onwards
95	60370117500	001	BLADE COVER COMPL. TEFLON (ZENTRAL FASTENING)	
95-1	60370117600	001	BLADE COVER PREM. TEFLON	
95-2	57630530000	002	COUNTERS.SCR. DIN 963-M 5X12-A2-70	
95-3	60800108400	001	BRACKET HANDLE 100XM5	
96	60370116900	001	BLADE COVER, PREASSEMBLED	
	60810106000	001	BLADE COVER, PREASSEMBLED 350 MM	
96-4	57630530000	002	COUNTERS.SCR. DIN 963-M 5X12-A2-70	
96-5	60800108400	001	BRACKET HANDLE 100XM5	
97	60370160202	001	BLADE COVER CPL. (DEZENTRAL FASTENING)	
	60370160600	001	BLADE COVER CPL. TEFLON (DEZENTRAL FASTENING)	
	60373560200	001	BLADE COVER 350 MM CPL. (DEZENTRAL FASTENING)	
97-1	60370160402	001	BLADE COVER	
	60370160700	001	BLADE COVER TEFLON	
	60373560400	001	BLADE COVER 350 MM	
97-2	60370160501	001	THREADED BUSHING	
97-4	57630530000	002	COUNTERS.SCR. DIN 963-M 5X12-A2-70	
97-5	60800108400	001	BRACKET HANDLE 100XM5	
100	60380102800	001	GUARD RING PRE-M. 0 (WITH SLIDE PIN, WITH DISK MAGNET)	
		001	GUARD RING PRE-M. 0 (WITHO. SLIDE PIN, WITH DISK MAGNET)	
	60370105000	001	GUARD RING PRE-M. 0 (WITHO. SLIDE PIN, WITHO. DISK MAGN.)	
		001	GUARD RING PRE-M. 0, 350 MM	
100-1	60380102902	001	GUARD RING 0 (FOR SLIDE PIN AND DISK MAGNET)	
	60370105101	001	GUARD RING HORIZONTAL (FOR DEFLECTOR SMALL)	
	60373502200	001	BLADE PROTECT. RING, 350 MM	
100-2	60370107800	001	PRODUCT SUPPORTER COMPL.	
100-2-1	60370107900	001	PRODUCT SUPPORTER	
100-2-2	60540101700	001	NUT	
100-2-3	60540101800	001	COVER	
100-3	56972600000	001	MUSHROOM HEAD SCREW M 5X10-A2-70	
100-4	56032750000	001	SETSCREW DIN 551-M 4X75-14H	
100-6	50373961000	001	DISK MAGNET 10X6 N42	
100-7	60223506301	001	COVER	
100-9	60380402200	001	SLIDE PIN	
100-30	60274601000	003	BOLT	
101		001	GUARD RING PREASS. 18L/25L	
		001	GUARD RING PREASS. 25 H	
		001	GUARD RING PREASS. 18□/25□	
101-2	60370114301	001	GUARD RING 25H	
	60370104601	001	GUARD RING 18L 25L	
	60373503200	001	BLADE GUARD RING 18□/25□, 350 MM	
101-3	56032750000	001	SETSCREW DIN 551-M 4X75-14H	
101-30	60274601000	003	BOLT	

Bitte unbedingt 11-stellige **Bestell-Nr.** angeben • Please always indicate 11 digit **Order No.** • Absolutement nécessaire d'indiquer **No. de commande** (11 chiffres) • Favorisca specificarci sempre il **N. di ordine** a 11 cifre • Es imprescindible que citen el **No. de pedido** (11 guarismos)

Series (code No.) 90.032	Spare parts list No. 037.98.3.1004	SE 12	Text page 15
------------------------------------	----------------------------------------------	--------------	------------------------

Number in drawing	Order number	Piece	Designation	from status onwards
102		001	GUARD RING PRE-M- 0 (WITH DISK MAGNET)	
		001	BLADE GUARD RING PRE-M. 0 (WITHOUT DISK MAGNET)	
		001	GUARD RING PRE-MOUNT 0 (350 MM)	
102-1	60380170900	001	BLADE GUARD RING 0 (FOR VERSION WITH MAGNET)	
	60370180900	001	BLADE GUARD RING 0	
	60373560900	001	BLADE GUARD.RING 0 (350 MM)	
102-3	56972600000	001	MUSHROOM HEAD SCREW M 5X10-A2-70	
102-4	56032750000	001	SETSCREW DIN 551-M 4X75-14H	
102-6	50373961000	001	DISK MAGNET 10X6 N42	
102-7	60223506301	001	COVER	
102-9		001	FASTENERS PRE-MOUNT.	
102-9-1	60370161001	001	DISTANCE PIECE	
102-9-2	60370161100	001	PIN	
102-9-4	60370161900	001	LOCKING HANDLE SMALL M5 PRE-ASSEMBLED	
102-9-4-1	60370161500	001	CLAMP HANDLE SMALL M 5	
102-9-4-2	60220402101	001	COVER	
102-10	57767040000	002	SPR. LOCK WASHER DIN 128-A4-FST	
102-11	57743080000	002	SOCKET HEAD SCREW DIN 912-M 4X16-A2-70	
102-12	60370161401	002	DISTANCE BOLT	
102-20	60370161300	002	LOCATION BOLT	
102-21	56083590000	002	THREADED PIN M6X12	
	56083980000	002	SETSCREW DIN 916-M 6X12-A2-70	
102-30	60274601000	004	BOLT	
103		001	BLADE GUARD RING PREM 25H (WITH PROTECTIVE PLUG)	
		001	BLADE GUARD RING PREM 25H (WITH DISTANCE BOLT)	
		001	BLADE GUARD RING PREM. 18L 25L (HOLE ON RADIUS)	
		001	BLADE GUARD RING PREM. 18L 25L (HOLE ON LINE)	
		001	BLADE GUARD RING PREM. 18□/25□ (350 MM)	
103-2	60370160900	001	BLADE PROTECTIVE RING (FOR PROTECTIVE PLUG)	
	60370160901	001	BLADE PROTECTIVE RING (FOR DISTANCE BOLT)	
	60370170900	001	BLADE PROTECTIVE RING (HOLE ON RADIUS)	
	60370170901	001	BLADE PROTECTIVE RING (HOLE ON LINE)	
	60373570900	001	BLADE GUARD RING 18□/25□ (350 MM)	
103-3	56032750000	001	SETSCREW DIN 551-M 4X75-14H	
103-10	57767040000	002	SPR. LOCK WASHER DIN 128-A4-FST	
103-11	57743080000	002	SOCKET HEAD SCREW DIN 912-M 4X16-A2-70	
103-12	60370161400	002	DISTANCE BOLT	
	60370161401	002	DISTANCE BOLT	
103-13	50828480000	002	PROTECTIVE PLUG 11.12249 PE-LD	
103-20	60370161300	002	LOCATION BOLT	
103-21	56064220000	002	SETSCREW DIN 553-M 6X16-A2-70 (25H)	
	56083590000	002	THREADED PIN M 6X12 (18/25)	
	56083980000	002	SETSCREW DIN 916-M 6X12-A2-70 (25H, BY DISTANCE BOLT)	
103-30	60274601000	004	BOLT	

Bitte unbedingt 11-stellige **Bestell-Nr.** angeben • Please always indicate 11 digit **Order No.** • Absolutement nécessaire d'indiquer **No. de commande** (11 chiffres) • Favorisca specificarci sempre il **N. di ordine** a 11 cifre • Es imprescindible que citen el **No. de pedido** (11 guarismos)

Text page 16	SE 12	Spare parts list No. 037.98.3.1004	Series (code No.) 90.032
------------------------	--------------	----------------------------------------------	------------------------------------

Number in drawing	Order number	Piece	Designation	from status onwards
110	60370115900	001	GAUGE PLATE PRE-MOUNT. 0	
	60370115800	001	GAUGE PLATE PRE-MOUNT. SE12 18L/25L	
	60370116000	001	GAUGE PLATE PRE-MOUNT. 18H/25H	
	60373502800	001	GAUGE PLATE PRE-MOUNT. SE12/0/35	
		001	GAUGE PLATE PRE-MOUNT. 18□/D 350	
110-1	60373502300	001	GAUGE PLATE SE12/0/35	
	60373503400	001	GAUGE PLATE BLADE 350	
110-3	56453380000	002	THREADED INSERT STANDARD M 10X15	
110-5	60370110801	002	THREADED PIN	
111		001	STOP PLATE PRE-MOUNT. 0 TEFLON	
		001	STOP PLATE PRE-MOUNT. 18L/25L TEFLON	
111-1	60370117400	001	STOP PLATE 0 TEFLON	
	60370118400	001	STOP PLATE TEF 18L/25L	
111-9	60530202400	001	SLIDE PIECE	
115	60544802701	001	SPECIFICATION PLATE NEUTRAL (DEVICE NO. TO GIVE)	
116	60374805100	001	PROTECTION FOIL 43 X 80	
	60374805200	001	PROTECTION FOIL 80 X 80	
124	60374801900	001	PLATE UNIVEX SE 12	
125	60374801800	001	PLATE UNIVEX NEUTRAL	
130	60374800100	001	ADHESIVE CIRCUIT DIAGRAM AC GER SE1	
	60374810101	001	ADHESIVE LABEL AC SE 12 AUTOMATIC SHUTOFF	
	60374810300	001	ADHESIVE LAB. AC SE12 AUTOM. SHUTOFF/0-SLICE THICKNESS	
131	60374800200	001	ADHESIVE CIRCUIT DIAGRAM 3-PH C. GER SE1	
	60374810200	001	ADHESIVE LABEL PHASE CURRENT 4 POLE SE 12	
	60374810600	001	ADHESIVE LABEL AC SE 12 AUTOMATIC SHUTOFF/OPTION	
	60374811000	001	ADHESIVE LABEL AC SE 12 AUTOM. SHUTOFF/GAUGE PLATE	
	60374811500	001	ADHESIVE LABEL AC SE 12 AUTOM. SHUTOFF/OPT.SWITCH HEX	
	60374811501	001	ADHESIVE TAPE WE SE12 ABSCH/HEX.	
132	51975600000	001	REFERENCE PLATE	
133	60374802700	001	IDENTIFICATION PLATE SE 12 US	
134	60544808100	001	REFERENCE PLATE "DO NOT CLEAN WITH HOSE"	
135	47501006101	001	REFERENCE PLATE FRA MIN. INSTALLATION HIGHT	
136	47509010400	001	REFERENCE PLATE FRA	
137	67501163700	001	REFERENCE PLATE WARNING INSTRUCTIONS	
138	71004310000	001	CABLE TIE T 18 R LENGTH = 100MM	
139	67501214700	001	WARNING PLATE USA	

Bitte unbedingt 11-stellige **Bestell-Nr.** angeben • Please always indicate 11 digit **Order No.** • Absolutement nécessaire d'indiquer **No. de commande**
(11 chiffres) • Favorisca specificarci sempre il **N. di ordine** a 11 cifre • Es imprescindible que citen el **No. de pedido** (11 guarismos)

Series (code No.) 90.032	Spare parts list No. 037.98.3.1004	SE 12	Text page 17
------------------------------------	----------------------------------------------	--------------	------------------------

Number in drawing	Order number	Piece	Designation	from status onwards
140		001	ACCESSORIES	
140-1	40220003400	001	PROTECTIVE BAG	
140-2	60220007800	001	SERVICE OIL BY BIZERBA 30 ML	
140-3	40950000176	001	BRUSH WITH WIPER	
140-4	50002840000	001	POLISHING CLOTH	
140-5	60220007500	001	PAPER FELT	
150	60374701000	001	ACCESSORIES FOR ELEVATED INSTALLATION	
150-1	60350005100	002	DISTANCE COLLAR L52	
150-2	60374701201	002	DISTANCE COLLAR L89	
150-3	57743540000	002	SOCKET HEAD SCREW DIN 912-M 6X80-A2-70	
150-4	57743570000	002	SOCKET HEAD SCREW DIN 912-M 6X130-A2-70	
150-8	60350102100	004	COVER PLATE	
155	56255060000	004	ROUND-HEAD NAIL DIN 1476-3X6-AL	
156	57744870000	019	COVERING CAP RIBE SW5 (FOR VERSION NSF)	
157	57744880000	001	COVERING CAP RIBE SW6 M8 (FOR VERSION NSF)	
158	50002520000	002	PROTECTIVE PLUG TL-4-062	
159	56255060000	002	ROUND-HEAD NAIL DIN 1476-3X6-AL	
160	60370600100	001	SHARPENER COMPL. EURO	
	60370700100	001	SHARPENER COMPL. USA FLAT DESIGN VERS.	
	60370800100	001	SHARPENER COMPL. 18H 25H	
160-1	60220600100	001	SHARPENER PREASSEMBLED	
160-1-7203	60220600202	001	HOUSING	
160-1-7210	60220600500	001	SHAFT	
160-1-7211	40110500001	001	PRESSURE SPRING 0110500001	
160-1-7212	56755650000	001	WASHER DIN 433-6,4-A2-70	
160-1-7213	57750400000	001	RETAINING WASHER DIN 6799 4	
160-1-7214	60220600600	001	BEARING BOLT	
160-1-7215	40220600800	001	HANDWHEEL	
160-1-7216	56805720000	001	OVAL-HEAD SCREW DIN 7985-M 6X30-5.8	
160-1-7217	56739060000	001	WASHER DIN 125-A 6,4-A2-70	
160-1-7218	60220602600	001	SPACER BUSHING	
160-1-7220	56400860000	001	LOCKNUT DIN 985-M6-A2-70	
160-1-7221	60220600700	001	SHAFT	
160-1-7222	40220601000	001	PRESSURE SPRING 0.8X 6.3 X19	
160-1-7223	40220601100	001	WASHER	
160-1-7224	57750400000	001	RETAINING WASHER DIN 6799 4	
160-1-7230	40220601200	002	LEAF SPRING	
160-1-7231	60220600900	001	COVER	
160-1-7235 (V)	40110500008	002	WASHER 6.3	
160-1-7236 (V)	60223401000	001	SHARPENING DISK	
160-1-7237 (V)	60223401100	001	HONING STONE	
160-1-7238	56728640000	002	WASHER DIN 125-A 6,4-AL	
160-1-7239	56448600000	002	HEXAGON NUT DIN 439-BM6-LH-AL	
160-1-7240	60220602201	001	COVER	
160-1-7241	60220602301	001	COVER	

Text page 18	SE 12	Spare parts list No. 037.98.3.1004	Series (code No.) 90.032
------------------------	--------------	----------------------------------------------	------------------------------------

Number in drawing	Order number	Piece	Designation	from status onwards
160-3	60370600201	001	ADAPTER 0 18L	
	60370700200	001	ADAPTER 25L	
	60370800200	001	ADAPTER USA 18H 25H	
160-5	57463000000	005	TAPPING SCREW DIN 7981-F3,5X16 Z1-ST	
160-10	60370600302	001	CLAMPING PIECE	
160-12	56807410000	001	OVAL-HEAD HEAD SC. 10 LONG M 6X40	
160-13	56728640000	002	WASHER DIN 125-A 6,4-AL	
160-15	56400860000	001	LOCKNUT DIN 985-M6-A2-70	
160-16	60370600701	001	STAR KNOB COMPL	
160-17	60223400500	001	CAP	
160-50	60370600400	001	STOP	
160-51	60370600501	001	NUT PLATE	
160-52	56805680000	001	OVAL-HEAD SCREW DIN 7985-M 6X12-5.8	
160-54	56739060000	001	WASHER DIN 125-A 6,4-A2-70	
170	60379850001	001	OPER:INSTRUCT. SE-12 GER	
171	60379851001	001	SE12 OPERATING INSTRUCTIONS GBR	
	60379854001	001	OPERAT:INSTRUCT. SE-12 ESP	
172	60379852001	001	OPER:INSTRUCT.SE-12 FRA	
173	60379853001	001	OPER:INSTRUCT: SE-12 ITA	
174	60379854001	001	OPERAT:INSTRUCT. SE-12 ESP	
175	60379856000	001	OPER:INSTRUCT.SE-12 (L) DNK	
177	60379857001	001	OPER:INSTRUCT. SE-12 PRT	
188	71089550000	001	GS CHARACTER GR. 2 96057 SE12	
189	51908600000	001	REFERENCE PLATE FRA	
200	47509000301	001	REFERENCE PLATE GER	
201	47509000401	001	REFERENCE PLATE ENG	
	47509000601	001	REFERENCE PLATE ESP	
202	47509000501	001	REFERENCE PLATE FRA	
203	47509000601	001	REFERENCE PLATE ESP	
204	47509000701	001	REFERENCE PLATE ITA	
205	47509001301	001	REFERENCE PLATE DNK	
206	47509010201	001	REFERENCE PLATE PORT	
207	47509010301	001	REFERENCE PLATE FLEM	
208	47509020500	001	REFERENCE PLATE SWE	
209	47509020600	001	REFERENCE PLATE NDL	
210	47509020700	001	REFERENCE PLATE RUSS	
211	47509020800	001	REFERENCE PLATE GREE	
212	47509020900	001	REFERENCE PLATE SERBOCROAT	
213	47509021000	001	REFERENCE PLATE CZECH	
214	47509021100	001	REFERENCE PLATE HUN	
215	47509021200	001	REFERENCE PLATE POL	
220	60804801200	001	REFERENCE PLATE SHARP+LUBE	

Bitte unbedingt 11-stellige **Bestell-Nr.** angeben • Please always indicate 11 digit **Order No.** • Absolutement nécessaire d'indiquer **No. de commande**
(11 chiffres) • Favorisca specificarci sempre il **N. di ordine** a 11 cifre • Es imprescindible que citen el **No. de pedido** (11 guarismos)

Series (code No.) 90.032	Spare parts list No. 037.98.3.1004	SE 12	Text page 19
------------------------------------	----------------------------------------------	--------------	------------------------

Number in drawing	Order number	Piece	Designation	from status onwards
250	71218620000	001	SUBMINI-SWITCHES DC3G-LGAD	
251	60386101200	001	SWITCH S870+L500 03LXXXXX	
252	60836100401	001	SWITCH S870+L800 03L1R073	
253	60380101500	001	NUT PLATE	
254	60371100700	001	NUT PLATE	
255	56805380000	002	OVAL-HEAD SCREW DIN 7985-M 3X20-4.8	
256	60371100800	001	WASHER	
257	56739030000	002	WASHER DIN 125-A 3,2-A2-70	
258	57671160000	002	CHEESE-HEAD SCREW DIN 84-M 2X16-4.8	
259	57767030000	002	SPR. LOCK WASHER DIN 128-A3-FST	
260	56735220000	002	WASHER DIN 125-A 2,2-ST	
262	57766000000	002	SPR. LOCK WASHER DIN 128-A2,3	
270	60376100500	001	CABLE LOOP SE 12 AUTOMATIC SHUTOFF	
280	51977100000	001	ATTENTION! MAGN:FIELD BGV A8 W13	
306	60804803100	001	NOTE/BEL-1	
307	60804803200	001	NOTE/BEL-2	
308	60374801700	001	PLATE SHARPENER "SE 12"	
309	60374802300	001	INSTRUCTIONS SE 12	
350	60220401708	001	REMNANT HOLDER COMPL. ULTRAS. (W/O SPIKES AND CHECK.)	
350-2	60220405901	001	THREATED BOLT	
350-3	60220405801	001	PAN HEAD SCREW M 4X12,5	
350-5	60220402001	001	CLAMP HANDLE, SMALL	
350-6	60220402101	001	COVER	
352	60260214800	001	REMNANT HOLDER, COMPL. ULTRASON (CHECKERING)	
352-7	60260215200	001	SUPPORTING PIN, 5,5 MM	
353	60354301703	001	REMNANT HOLDER, COMPL. ULTRASON (SPIKES, PIN 5,5 MM)	
353-7	40110201403	001	SUPPORTING PIN, 3 MM	
354	60364301703	001	REMNANT HOLDER COMPL. ULTRASON (SPIKES, PIN 6 MM)	
354-7	60364301800	001	SUPPORTING PIN, 6 MM	
355	60370411700	001	REMNANT HOLDER COMPL. GRIVORY (SPIKES, PIN 3 MM)	
356	60380411700	001	REMNANT HOLDER COMPL. GRIVORY (SPIKES, PIN 6 MM)	
362	60830214800	001	REMNANT HOLDER, COMPL. (MAGNETIC)	
365	60220406801	001	CLAMP HANDLE, COMPL.	
370	60370502800	001	TOMATO RULER REMNANT HOLDER PLATE	
370-1	60370502900	001	REMNANT HOLDER PLATE	
370-3	60370503000	002	FIXING BOLT	
370-5	60220405901	001	THREATED BOLT	
370-7	60220405801	001	PAN HEAD SCREW M 4X12,5	
370-11	60220402001	001	CLAMP HANDLE, SMALL	
370-13	60220402101	001	COVER	

Bitte unbedingt 11-stellige **Bestell-Nr.** angeben • Please always indicate 11 digit **Order No.** • Absolutement nécessaire d'indiquer **No. de commande** (11 chiffres) • Favorisca specificarci sempre il **N. di ordine** a 11 cifre • Es imprescindible que citen el **No. de pedido** (11 guarismos)

Text page 20	SE 12	Spare parts list No. 037.98.3.1004	Series (code No.) 90.032
------------------------	--------------	----------------------------------------------	------------------------------------

Number in drawing	Order number	Piece	Designation	from status onwards
372	60374600300	001	TOMATO GUIDE (PER SET = 2)	
372-3	60370502600	002	SLIDER WITH RULER	
372-3-1	60370502400	001	SLIDER	
372-3-3	60370502300	001	RULER	
372-3-5	60380205800	001	SLIDE PIN	
372-3-7	57451590000	002	COUNTERS.SCR. DIN 965-M 5X40-A2-70	
372-3-9	56777100000	002	SEALING WASHER DIN 470-10-AL	
372-3-11	56047810000	001	SETSCREW DIN 551-M 8X16-PA	
372-5	60381801400	001	THREADED BOLT (25H USA)	
372-6	60381801600	001	THREADED BOLT (25L)	
373	56188030000	001	PARALLEL PIN DIN 7-6M 6X60-A2	
375		001	RULER CPL.	
375-10	60370502400	001	SLIDER	
375-15	56047810000	001	SETSCREW DIN 551-M 8X16-PA	
375-20	57451590000	002	COUNTERS.SCR. DIN 965-M 5X40-A2-70	
375-25	56777100000	002	SEALING WASHER DIN 470-10-AL	
375-30	60381802400	001	SLIDING BOLT	
390	60374600400	001	RETROFITTING SET - PRODUCT FIXATION	
390-3	56008200000	002	SELF CLINCHING STUD FHS-M4-12-A2-70	
390-5	60370202400	001	GUIDE BAR	
390-7	60274600400	002	ROUND NUT	
391		001	SALAMI GUIDE	
391-1	60381801000	001	SLIDER	
391-3	56047610000	001	SETSCREW DIN 551-M 6X8-PA	
391-10	60381800701	001	RULER, SOLDERED	
391-12	60380402200	002	SLIDE PIN	
391-15	56070570000	001	SETSCREW DIN 926-M 6X7,5X11,5-A2-70	
391-16	56777100000	001	SEALING WASHER DIN 470-10-AL	
395	60374600200	001	VEGETABLE CHUTE AND PUSHER	
395-1	60370501300	001	VEGETABLE CHUTE	
395-1-1	60370501400	001	TUBE, WELDED	
395-1-3	60370502500	001	PIN	
395-1-5	29774530000	000	ADHESIVE TAPE NO.959 GR 80BR.X0.3	
395-1-7	60370502700	001	STAR KNOB (VEG CHUTE)	
395-3	60370501800	001	PUSHER	
395-3-1	60370501900	001	WASHER	
395-3-3	60370502000	001	THREADED ROD	
395-3-5	56086270000	001	BALL KNOB DIN 319-C 32 M8	
395-5	60381801400	001	THREADED BOLT (30 MM) 25H USA	
395-6	60381801600	001	THREADED BOLT (50 MM) 25L	

Bitte unbedingt 11-stellige **Bestell-Nr.** angeben • Please always indicate 11 digit **Order No.** • Absolutement nécessaire d'indiquer **No. de commande**
(11 chiffres) • Favorisca specificarci sempre il **N. di ordine** a 11 cifre • Es imprescindible que citen el **No. de pedido** (11 guarismos)

Series (code No.) 90.032	Spare parts list No. 037.98.3.1004	SE 12	Text page 21
------------------------------------	----------------------------------------------	--------------	------------------------

Number in drawing	Order number	Piece	Designation	from status onwards
401		001	BASIC PARTS CPL., SE 12, CENTR. W/O AUTOMATIC SWITCHOFF	
		001	BASIC PARTS CPL., DECENTR., W/O AUTOMATIC SWITCHOFF	
		001	BASIC PARTS CPL., DECENTR., W/O AUTOM. SWITCHOFF, CAN	
401-1	60371100102	001	MACHINE HOUSING, BLADE BEARING SE 12 (CENTRAL), STAND.	
	60371100103	001	MACHINE HOUSING, BLADE BEARING (DECENTRAL), STANDARD	
401-2	60370103001	001	COLLET 3	
401-3	57442170000	001	COUNTERS.SCR. DIN 7991-M 6X20-A2-70	
401-10	60370103100	001	SUPPORT	
401-11	57345200000	002	HEXAGON SCREW DIN 933-M 5X20-8.8	
401-12	56739050000	002	WASHER DIN 125-A 5,3 -A2-70	
401-13	57758500000	002	TOOTHED WASHER DIN 6797-A 5,3-FST	
401-14	60370103200	001	SEALING	
401-20	60370103301	001	BLADE BEARING, PREASS. SE12 (CENTRAL)	
401-20-1	60370112600	001	HOUSING	
401-20-2	56362680000	002	GROOVED BALL BEARING DIN 625 6006-2R	
401-20-3	60370103901	001	SPACER RING	
401-20-4	50282370000	002	DISC SPRING 54,5X40,5X0,45	
401-20-5	60370103601	001	MOUNTING RING	
401-20-6	57442080000	004	COUNTERS.SCR. DIN 7991-M 4X12-A2-70	
401-20-7	60370103801	001	BLADE SHAFT	
401-20-8	50005050000	001	BUSH 18,2X20X15	
401-20-9	50003190000	001	SHAFT SEAL B1SL 18X30X7-NBR/NIRO	
401-20-11	60370104200	001	SEALING RING	
401-21	60370161600	001	BLADE BEARING PREASS. (DECENTRAL)	
401-21-1	60370112600	001	HOUSING	
401-21-2	56362680000	002	GROOVED BALL BEARING DIN 625 6006-2R	
401-21-3	60370103901	001	SPACER RING	
401-21-4	50282370000	002	DISC SPRING 54,5X40,5X0,45	
401-21-5	60370103601	001	MOUNTING RING	
401-21-6	57442080000	004	COUNTERS.SCR. DIN 7991-M 4X12-A2-70	
401-21-7	60370161700	001	CUTTER SPINDLE	
401-21-8	38002106000	001	SUPPORT BOLT	
401-21-11	60370104200	001	SEALING RING	
401-24	57743440000	004	SOCKET HEAD SCREW DIN 912-M 6X25-A2-70	
401-25	57767060000	004	SPR. LOCK WASHER DIN 126-A6-FST	
401-26	56739060000	004	WASHER DIN 125-A 6,4-A2-70	
401-28	60370104100	001	BELT PULLEY	
401-29	60370104301	001	HEXAGONAL NUT	
401-31	60370104700	001	SPACER SLEEVE, LONG	
401-32	56765050000	001	WASHER DIN 9021-5,3-A2-70	
401-33	57767040000	001	SPR. LOCK WASHER DIN 128-A4-FST	
401-34	56456400000	001	HEXAGON NUT DIN 934-M4-A2-70	
401-36	60370104800	001	SPASER SLEEVE, SHORT	
401-37	56765050000	001	WASHER DIN 9021-5,3-A2-70	
401-38	57767040000	001	SPR. LOCK WASHER DIN 128-A4-FST	
401-39	57429350000	001	HEXAGON SCREW DIN 933-M 4X35-A2-70	
401-40	60370104900	002	SEALING	
401-45	57743280000	001	SOCKET HEAD SCREW DIN 912-M 5X20-A2-70	

Text page 22	SE 12	Spare parts list No. 037.98.3.1004	Series (code No.) 90.032
------------------------	--------------	----------------------------------------------	------------------------------------

Number in drawing	Order number	Piece	Designation	from status onwards
401-47	50828480000	001	PROTECTIVE PLUG 11.12249 PE-LD	
401-59	60180300028	001	BOLT 8X5	
401-60	60370100301	001	CARRIAGE GUIDE COMPLETE	
401-60-1	60370100401	001	CARRIAGE GUIDE PREASSEMBLED	
401-60-1-1	60370100601	001	CARRIAGE GUIDE	
401-60-1-2	60370100700	001	ROLLER MOUNTING, PREASSEMBLED	
401-60-1-2-1	60370100801	001	ROLLER BEARING	
401-60-1-2-2	60370100900	001	BEARING BOLT	
401-60-1-2-3 (V)	40220102500	001	BALL BEARING	
401-60-1-2-4	57750800000	001	RETAINING WASHER DIN 6799 8	
401-60-1-2-5	50383650000	001	BUFFER WITH PIN F.NR.3184	
401-60-1-6	57737250001	001	CHEESE-HEAD SCREW M 8X25	
401-60-1-7	56739080000	001	WASHER DIN 125-A 8,4-A2-70	
401-60-1-8	57767080000	001	SPR. LOCK WASHER DIN 128-A8-FST	
401-60-1-10	60530300066	002	FELT RING 25.5	
401-60-1-11	60530300067	002	WASHER 26	
401-60-1-12	50001020000	002	BUSH 2530 DU 25X28X30	
401-60-1-16	57432200000	001	HEXAGON SCREW DIN 933-M 8X20-A2-70	
401-60-1-21	56980720000	001	OVAL-HEAD SCREW DIN 923-M 5X4-5.8	
401-60-1-22	56453290000	001	THREADED INSERT HELI-COIL M 12X9	
401-60-1-23	56044800000	001	SETSCREW DIN 551-M 8X35-MS	
401-60-1-24	56456800000	001	HEXAGON NUT DIN 934-M 8-X5CRN18-10	
401-60-1-30	60370112800	001	FELT STRIP	
401-60-1-32	60370102301	001	COVER	
401-60-1-33	56818430000	002	SELF-TAPP.SCREW DIN 7500-CM 4X8-T20-ST	
401-60-1-48	60370102700	001	TORSION SPRING	
401-60-1-50	60370102801	001	STOP	
401-60-1-52	60370102901	001	INSERT	
401-60-1-56	57347160000	002	HEXAGON SCREW DIN 933-M 6X16-8.8	
401-60-1-58	57767060000	002	SPR. LOCK WASHER DIN 126-A6-FST	
401-60-5	60370102001	001	CARRIAGE SHAFT, PREASSEMBLED	
401-60-5-1	60370102102	001	CARRIAGE SHAFT	
401-60-5-2	60370102600	001	STOP RING	
401-60-5-5	60370113200	001	LEVER, PREASSEMBLED	
401-60-6	60370102400	001	SHOCK ABSORBER	
401-60-7	60370102500	001	SHOCK ABSORBER SLEEVE	
401-60-8	60370107000	001	BUFFER DISK	
401-61	50275150000	001	PRESSURE SPRING D-180T	
401-62	60370101900	002	SCREW	
401-64	56777190000	002	SEALING WASHER DIN 470-18-A2	
401-85	50009811000	001	V-RIBBED BELT PJ10-406	
401-86	40110000099	002	WASHER	
401-87	56765060000	002	WASHER DIN 9021-6,4-A2-70	
401-88	57736450000	002	CHEESE-HEAD SCREW M 6X45	
401-89	57767060000	002	SPR. LOCK WASHER DIN 126-A6-FST	
401-90	60370107301	001	SPACER PREASS.	
401-91	60370107502	001	SPACER RING	
401-92	60370104401	001	BLADE SHAFT	

Bitte unbedingt 11-stellige **Bestell-Nr.** angeben • Please always indicate 11 digit **Order No.** • Absolutement nécessaire d'indiquer **No. de commande** (11 chiffres) • Favorisca specificarci sempre il **N. di ordine** a 11 cifre • Es imprescindible que citen el **No. de pedido** (11 guarismos)

Series (code No.) 90.032	Spare parts list No. 037.98.3.1004	SE 12	Text page 23
------------------------------------	----------------------------------------------	--------------	------------------------

Number in drawing	Order number	Piece	Designation	from status onwards
401-93	60370118201	001	HEXAGON NUT	
401-94	60370109600	001	BRAKE PULLEY	
401-95	60220200601	001	WASHER	
401-96	57767060000	001	SPR. LOCK WASHER DIN 126-A6-FST	
401-97	60370109701	001	CLAMPING NUT	
401-98	60370107100	001	GUIDE RAIL	
401-99	60610000400	002	RUBBER FOOT	
401-100	57743520000	002	SOCKET HEAD SCREW DIN 912-M 6X70-A2-70	
401-101	57743440000	002	SOCKET HEAD SCREW DIN 912-M 6X25-A2-70	
401-102	56338240000	001	GROOVED PIN DIN 1474-6X24 A2-70	
401-103	60370107600	002	DISTANCE COLLAR	
401-104	60370115100	001	COVER, PART 2	
401-105	60370112701	001	COVER, PART 1	
401-106	57455460000	004	TAPPING SCREW ISO 7049-C4,2X16-ST	
401-107	60370115400	004	COVER DISC	
401-108	60610000400	002	RUBBER FOOT	
401-109	57743440000	002	SOCKET HEAD SCREW DIN 912-M 6X25-A2-70	
401-110	57767060000	002	SPR. LOCK WASHER DIN 126-A6-FST	
401-111	57630620000	004	COUNTERS.SCR. DIN 963-M 6X12-A2-70	
401-115	60370119000	001	SERIAL CONNECTION ELEMENT COMPL.	
401-198	56269330000	001	ROUND-HEAD NAIL DIN 1476-3X6-PC	
401-200	60370105601	001	PLASTIC WHEEL	
401-202	60370105700	001	ROTARY KNOB SHAFT	
401-204	56739050000	001	WASHER DIN 125-A 5,3 -A2-70	
401-206	57767050000	001	SPR. LOCK WASHER DIN 128-A5-FST	
401-208	57747210000	001	SOCKET HEAD SCREW DIN 7984-M5X12-8.8	
401-210	60370105801	001	WASHER	
401-211	40110201009	001	WASHER	
401-214	00110000095	002	DISK SPRING	
401-215	57920040000	001	ADJUSTING RING DIN 705-A18-ST	
401-220	60270101300	001	CHART SEALING RING	
401-221	57775550000	001	RETAINING RING DIN 472-55X2	
401-222	60370119401	001	ROTARY KNOB COMPL.	
401-222-1	60223501702	001	SCALE	
401-222-3	60370119501	001	ROTARY KNOB	
401-222-5	57464230000	002	PLASTIC SCREW WN1451-K40X16-T20-10.9	
401-224	56922570000	001	RAISED COUN. SCREW DIN 964-M 5X25-A2	
401-240	60370101701	001	BEARING BRACKET PREASS.	
401-240-1	60370101601	001	LOAD ARM	
401-240-10	57736300000	002	SOCKET HEAD SCREW DIN 912-M 6X30-8.8	
401-240-12	56400860000	002	LOCKNUT DIN 985-M6-A2-70	
401-240-20	50001190000	002	BUSH MB 1815 DU	
401-240-22	60370111500	001	LEVER, PRE-ASSEMBLED	
401-240-22-1	60370111600	001	ARM	
401-240-22-5	56150360000	001	PARALLEL PIN DIN 28734-8M 6X26-ST	
401-240-23	56337160000	001	GROOVED PIN DIN 1474-5X16 A2-70	
401-240-24	57736200000	001	SOCKET HEAD SCREW DIN 912-M 6X20-8.8	
401-240-26	57767060000	001	SPR. LOCK WASHER DIN 126-A6-FST	
401-240-27	56739060000	001	WASHER DIN 125-A 6,4-A2-70	
401-240-30	60220110100	002	THREADED PIN	

Bitte unbedingt 11-stellige **Bestell-Nr.** angeben • Please always indicate 11 digit **Order No.** • Absolutement nécessaire d'indiquer **No. de commande** (11 chiffres) • Favorisca specificarci sempre il **N. di ordine** a 11 cifre • Es imprescindible que citen el **No. de pedido** (11 guarismos)

Text page 24	SE 12	Spare parts list No. 037.98.3.1004	Series (code No.) 90.032
------------------------	--------------	----------------------------------------------	------------------------------------

Number in drawing	Order number	Piece	Designation	from status onwards
401-240-32	56083970000	002	SETSCREW DIN 916-M 6X8-45H	
401-240-40	60370105900	001	SHAFT	
401-240-50	60370106201	001	WASHER	
401-240-52	56818470000	002	SELF-TAPP.SCREW DIN 7500-CM 4X16-T20-ST	
401-240-54	56739040000	002	WASHER DIN 125-A 4,3-A2-70	
401-240-56	57767040000	002	SPR. LOCK WASHER DIN 128-A4-FST	
401-242	56083380000	001	THREADED PIN M 10X50	
401-244	56444820000	002	HEXAGON NUT DIN 439-BM10-A2-70	
401-246	57743430000	001	SOCKET HEAD SCREW DIN 912-M 6X20-A2-70	
401-248	57767060000	001	SPR. LOCK WASHER DIN 126-A6-FST	
401-280	60370106100	001	SUPPORTING RAIL	
401-281	60370115300	001	SPACER	
401-282	57736200000	001	SOCKET HEAD SCREW DIN 912-M 6X20-8.8	
401-283	56083180000	001	SETSCREW DIN 913-M 6X35-A2-70	
401-284	57767060000	002	SPR. LOCK WASHER DIN 126-A6-FST	
401-285	56456600000	002	HEXAGON NUT DIN 934-M 6-A2-70	
401-311	56739100000	002	WASHER DIN 125-A 10,5-A2-70	
401-312	57767100000	002	SPR. LOCK WASHER DIN 128-A10-FST	
401-314	56456820000	002	HEXAGON NUT DIN 934-M10-A2-70	
401-330	60370106300	001	SEALING GAUGE PLATE	
401-350	56818440000	001	SELF-TAPP.SCREW DIN 7500-CM 4X12-T20-ST	
401-351	56818430000	002	SELF-TAPP.SCREW DIN 7500-CM 4X8-T20-ST	
401-352	56765040000	001	WASHER DIN 9021-4,3-A2-70	
401-359	60384102100	001	SENSOR SUPPORT	
401-360	60370106401	001	ANGLE	
401-361	60370106501	001	ANGLE	
401-362	57736160000	004	CHEESE-HEAD SCREW M 6X16	
401-363	56739060000	004	WASHER DIN 125-A 6,4-A2-70	
401-364	57767060000	004	SPR. LOCK WASHER DIN 126-A6-FST	
401-371	60370106601	001	RAIL	
401-372	60370106700	002	BUSHING	
401-374	50998960000	001	TENSION SPRING RZ-100FX	
401-396	60370106900	001	DISTANCE WASHER	
401-397	57347160000	001	HEXAGON SCREW DIN 933-M 6X16-8.8	
401-398	56739060000	001	WASHER DIN 125-A 6,4-A2-70	
401-399	57767060000	001	SPR. LOCK WASHER DIN 126-A6-FST	
401-450	56008310000	005	SELF CLINCHING STUD FH-M4-20-5.8	
401-451	60660011700	005	SPACER SLEEVE	
401-452	50281080000	001	DISC SPRING DIN 2093-12X4,2X0,6	
401-453	60666401100	002	THRUST WASHER	
401-454	60276401100	002	DISTANCE WASHER VS7/A	
401-455	50003680000	001	O-SEAL 20X1,0	
401-457	57758610000	005	TOOTHED WASHER DIN 6797-A 4,3-FST	
401-458	56456400000	005	HEXAGON NUT DIN 934-M4-A2-70	
401-465	56818430000	002	SELF-TAPP.SCREW DIN 7500-CM 4X8-T20-ST	
401-466	56739040000	002	WASHER DIN 125-A 4,3-A2-70	
401-467	57758610000	004	TOOTHED WASHER DIN 6797-A 4,3-FST	
401-470	60370113500	001	METAL PLATE FOR CABLE INLET, WELDED	
401-471	56818440000	002	SELF-TAPP.SCREW DIN 7500-CM 4X12-T20-ST	
401-472	56765040000	002	WASHER DIN 9021-4,3-A2-70	
401-473	71161130000	001	NUT M PG 13.5	
401-474	71010630000	001	CABLE GLAND ST13.5 UL53015030	
401-475	71011620000	001	SCREW COUPLING ST11 UL53015020	

Bitte unbedingt 11-stellige **Bestell-Nr.** angeben • Please always indicate 11 digit **Order No.** • Absolutement nécessaire d'indiquer **No. de commande** (11 chiffres) • Favorisca specificarci sempre il **N. di ordine** a 11 cifre • Es imprescindible que citen el **No. de pedido** (11 guarismos)

Series (code No.) 90.032	Spare parts list No. 037.98.3.1004	SE 12	Text page 25
------------------------------------	----------------------------------------------	--------------	------------------------

Number in drawing	Order number	Piece	Designation	from status onwards
401-476	71161140000	001	NUT GMP-GL 11 53019020	
401-478	60370119800	001	SILICON TUBE 280 MM	
401-479	60370119700	002	SILICON TUBE 310 MM	
401-480	60370109502	001	SWITCH COVER	
401-481	56818440000	004	SELF-TAPP.SCREW DIN 7500-CM 4X12-T20-ST	
401-482	56739040000	004	WASHER DIN 125-A 4,3-A2-70	
401-483	60350402001	003	PROTECTIVE PLUG 16.2 KNURLED	
401-484	50002390000	001	PROTECTIVE PLUG TL-4-105	
401-486	60370112501	001	THREE-SQUARE KNOB, PREASSEMBLED	
401-486-1	60370108301	001	THREE-SQUARE HANDLE	
401-486-2	60370108500	001	THREADED BOLT	
401-488	60370112100	001	DEFLECTOR (SMALL)	
401-491	50001491000	002	DISC SPRING DIN 2093-B12X6,2X0,5	
401-492	60370114900	001	SHOULDER SCREW	
401-502	60370108700	001	SHAFT	
401-503	56083980000	001	SETSCREW DIN 916-M 6X12-A2-70	
401-510	60370108900	001	LOCKING SLIDER, COMPL.	
401-512	60370110700	001	BEARING BOLT	
401-514	60800105000	001	WASHER 8,2 X 13,8 X 0,8	
401-516	57750600001	001	RETAINING WASHER DIN 6799 6	
401-600	60800116900	001	BIZERBA CHARACTER FONT	
401-603	51977600000	001	WARNING PLATE WITH DANGER ARROW	
403		001	BASIC PARTS CPL. WITH DEFLECTOR PLASTIC	
403-490	60384600100	001	CONVERSION DEFLECTOR PLASTIC	
403-490-10	60380107802	001	SUPPORTER	
403-490-45	57735250000	001	SOCKET HEAD SCREW DIN 912-M 5X25-8.8	
403-490-46	57767050000	001	SPR. LOCK WASHER DIN 128-A5-FST	
403-490-47	50828480000	001	PROTECTIVE PLUG 11.12249 PE-LD	
403-490-609	60380108301	001	INTERMEDIATE PIECE PRE-MOUNT	
403-490-609-1	60380108401	001	ADAPTOR	
403-490-609-2	56359360000	002	GROOVED PIN DIN 1473-4X10-A2	
403-490-609-3	60380108502	001	SUPPORT BRACKET	
403-490-630	60380108600	001	WASHER	
403-490-632	60380107901	001	BEARING BOLT	
403-490-635	60380107600	001	DEFLECTOR	
403-490-637	60223506500	001	BRAKE PULLEY	
403-490-639	60610300019	002	THRUST WASHER	
403-490-641	60540102400	001	ADJUSTING BOLT	
403-490-643	50003040000	001	DECORATIVE PIN MESSRS. INDEN NO4115 WHIT	
403-490-645	60380108002	001	EXCENTRIC WASHER	
403-490-647	60240503100	001	HEXAGON SCREW DIN 933 M 4X10-A2-70	
404		001	BASIC PARTS WITH AUTOMATIC SWITCHOFF	
404-1	60370162000	001	MACHINE HOUSING, AUTOMATIC SWITCHOFF	

Text page 26	SE 12	Spare parts list No. 037.98.3.1004	Series (code No.) 90.032
------------------------	--------------	----------------------------------------------	------------------------------------

Number in drawing	Order number	Piece	Designation	from status onwards
404-60		001	CARRIAGE GUIDE CPL.	
404-60-1		001	CARRIAGE RAIL INFRONT OF POWER-OFF AUTOM	
404-60-1-1	60371100400	001	CARRIAGE RAIL POWER-OFF AUTOM	
404-60-1-5 (V)	60540271900	001	MAGNET VACODYM370WZ, ROUND 10X4	
404-60-1-16	60370115200	001	BOLT NSF	
404-240	60380101701	001	LOAD ARM, PRE-ASSEMBLED	
404-240-1	60380101701	001	SUPPORTING ARM	
404-298	71010650000	001	CABLE GLAND PG7 UL53015000	
404-299	71161070000	001	NUT PG 7 DIN 46320	
404-340	60386100702	001	SENSOR COMPL. CUT. SE12D	
404-341	71161070000	001	NUT PG 7 DIN 46320	
404-342	60380315100	001	NUT PLATE	
404-343	56805410000	002	OVAL-HEAD SCREW DIN 7985-M 4X6-5.8	
404-344	56739040000	002	WASHER DIN 125-A 4,3-A2-70	
404-345	60380102301	001	FISH PLATE	
404-346	57429060000	002	HEXAGON SCREW DIN 933-M 4X6-A2-70	
404-348	71169050000	001	NYLON CLIPS HP-5N	
404-349	56739040000	001	WASHER DIN 125-A 4,3-A2-70	
404-350	56818440000	002	SELF-TAPP.SCREW DIN 7500-CM 4X12-T20-ST	
404-470	60371100900	001	METAL PLATE FOR CABLE INLET, AUTOMATIC SWITCHOFF	
407		001	BASIC PARTS CPL. WITH SHARPENING-ZERO SWITCH	
407-290	60386101200	001	SWITCH S870+L530 W3L1R052	
407-291	60376101200	001	SWITCH S870+L850 W3	
407-292	60380101500	001	NUT PLATE	
407-294	56806350000	002	OVAL-HEAD SCREW DIN 7985-M 3X30-A2-70	
407-295	56739030000	002	WASHER DIN 125-A 3,2-A2-70	
407-296	57767030000	002	SPR. LOCK WASHER DIN 128-A3-FST	
407-298	71010650000	002	CABLE GLAND PG7 UL53015000	
407-299	71161070000	002	NUT PG 7 DIN 46320	
407-470	60371100500	001	METAL PLATE FOR CABLE INLET, SHARPENING-ZERO SWITCH	
409		001	BASIC PARTS, O-SWITCH	
409-240		001	SUPPORTING ARM PREMOUNT.	
409-240-1	60370121600	001	SUPPORTING ARM	
409-300	60836100401	001	SWITCH S870+L800 03L1R073	
409-301	56805380000	002	OVAL-HEAD SCREW DIN 7985-M 3X20-4.8	
409-302	56739030000	002	WASHER DIN 125-A 3,2-A2-70	
409-303	57767030000	002	SPR. LOCK WASHER DIN 128-A3-FST	
409-304	60380101500	001	NUT PLATE	
409-306	71010650000	001	CABLE GLAND PG7 UL53015000	
409-307	71161070000	002	NUT PG 7 DIN 46320	
409-308	71066070000	001	CABLE GLAND N PG 7 DIN 46320	
410		001	BASIC PARTS SE12/35/0, BLADE BEARING SE12	
		001	BASIC PARTS SE12/35, BLADE BEARING	
410-1	60373500200	001	MACHINE HOUSING SE12/35/0, BLADE BEARING SE12	
	60373500201	001	MACHINE HOUSING SE12/35/0, BLADE BEARING	

Bitte unbedingt 11-stellige **Bestell-Nr.** angeben • Please always indicate 11 digit **Order No.** • Absolutement nécessaire d'indiquer **No. de commande** (11 chiffres) • Favorisca specificarci sempre il **N. di ordine** a 11 cifre • Es imprescindible que citen el **No. de pedido** (11 guarismos)

Series (code No.) 90.032	Spare parts list No. 037.98.3.1004	SE 12	Text page 27
------------------------------------	----------------------------------------------	--------------	------------------------

Number in drawing	Order number	Piece	Designation	from status onwards
410-10	60373502400	001	SUPPORT	
410-31	60860104800	001	DISTANCE SLEEVE F 37	
410-32	60373502500	001	DISTANCE SLEEVE	
410-33	60370104900	001	SEALING	
410-34	57767040000	001	SPR. LOCK WASHER DIN 128-A4-FST	
410-36	60373503000	001	SPACER	
410-37	60800115001	001	SEALING SUPPORT	
410-38	60800114900	002	ADJUSTING RING	
410-39	57767040000	002	SPR. LOCK WASHER DIN 128-A4-FST	
410-40	60223506600	002	WASHER	
410-41	57429250000	001	HEXAGON SCREW DIN 933-M 4X25-A2-70	
410-42	57429300000	001	HEXAGON SCREW DIN 933-M 4X30-A2-70	
410-60		001	CARRIAGE GUIDE (FOR BLADE 350 MM)	
410-60-1		001	CARRIAGE GUIDE, PRE-MOUNT.	
410-60-1-1	60373501900	001	CARRIAGE GUIDE	
410-60-1-56	56972790000	002	MUSHROOM HEAD SCREW M 6X16-A2-70	
410-605	56765050000	001	WASHER DIN 9021-5,3-A2-70	
410-607	57429250000	001	HEXAGON SCREW DIN 933-M 4X25-A2-70	
410-609	50828480000	001	PROTECTIVE PLUG 11.12249 PE-LD	
410-611	57743260000	001	SOCKET HEAD SCREW DIN 912-M 5X16-A2-70	
411		001	BASIC PARTS WR (WATER RESISTANT)	
411-1	60374300101	001	MACHINE HOUSING WR, AUTOMATIC SWITCHOFF	
411-60		001	CARRIAGE GUIDE WR CPL.	
411-60-1		001	CARRIAGE GUIDE WR, PRE-MOUNT., AUTOMATIC SWITCHOFF	
411-60-1-1	60374300900	001	CARRIAGE GUIDE WR, AUTOMATIC SWITCHOFF	
411-470	60374301401	001	METAL PLATE FOR CABLE INLET WR	
411-473	71161180000	002	NUT GMP-GL M20	
411-474	71010980000	002	CABLE GLAND STR-M20 UL 53111120	
411-476	71161170000	002	NUT GMP-GL M16	
411-477	71010990000	002	CABLE GLAND STR M16 UL 53111110	
411-530	60374300203	001	HEATPIPE	
411-531	60374300301	001	HEATPIPE FASTENERS	
411-532	60374302001	001	HEATPIPE CLAMPING	
411-533	56972780000	002	MUSHROOM HEAD SCREW M 6X8-A2-70	
411-534	60374300400	001	RIBS	
411-535	60374300500	001	RIBS	
411-536	57742920000	002	SOCKET HEAD SCREW DIN 912-M 3X20-A2-70	
411-537	60370112800	001	FELT STRIP	
411-539	50998460000	000	HEAD GUID. PASTE CONT.SILICONE KF-400/35	
411-550	60374301302	001	SEPARATING PLATE	
411-551	95943460000	000	GLUE PERMABOND E 04	
411-553	71010810000	002	CABLE GLAND M12X1,5 UL53111000	
411-555	60374301701	001	ANGLE	
411-556	57430120000	002	HEXAGON SCREW DIN 933-M 5X12-A2-70	
411-557	56765050000	002	WASHER DIN 9021-5,3-A2-70	

Text page 28	SE 12	Spare parts list No. 037.98.3.1004	Series (code No.) 90.032
------------------------	--------------	----------------------------------------------	------------------------------------

Number in drawing	Order number	Piece	Designation	from status onwards
411-560	60374301800	001	COVER PREASS.	
411-560-10	60374301600	001	PLATE	
411-560-20	60374301500	001	COVER BASE PLATE	
411-560-21	57630430000	004	COUNTERS.SCR. DIN 963-M 4X10-A2-70	
411-560-23	50828010000	001	CONDENSATE DRAIN SZ459-000	
411-560-24	57458100000	001	TAPPING SCREW ISO 1483-C2,9X16-A2-70	
411-560-30	50493180000	001	ADHESIVE TAPE Y4901 WHITE 6BR.X1.1	
411-560-40	71066400000	001	PLUG, ROUND M 16X1.5	
411-561	60374305100	002	SPACER BOLT 42	
411-562	56083390000	002	SETSCREW DIN 913-M 4X16-A2-70	
411-564	56972790000	005	MUSHROOM HEAD SCREW M 6X16-A2-70	
411-565	50723060000	009	O-SEAL 6X2	
8500	60374602000	001	BLADE SHAFT REPAIR KIT	
8500-3	60374602200	001	LOCK NUT REPAIR KIT USA	
8500-5	60374602300	001	THREE-SQUARE HANDLE PRE-ASSEMBL.REP.KIT	
8500-5-1	60370108301	001	THREE-SQUARE HANDLE	
8500-5-3	60374602400	001	THREADED ROD REP: KIT	
8500-7	60370109600	001	BRAKE PULLEY	
9900	95972940000	001	SCREW SEALING ADHESIVE LOCTITE 243 10M	
9901	95972840000	001	SCREW SEALING ADHESIVE LOCTITE 648 10M	
9902	95972870000	001	SCREW SEALING ADHESIVE 50ML LOCTIT.638	
9903	95972990000	001	SCREW SEALING ADHESIVE LOCTITE 290 50ML	
9904	95943800000	001	PATTEX GLUE TUBE / 125 GR	
9905 (V)	96055070000	001	GREASE PARALIQ GA 343	
9908 (V)	96055080000	000	KLUEBERSYNTH UH1 64-62/25KG	
9909	95944300000	001	KITCHEN SILICONE BY KNAUF ELASTO4710	
9910	94008900058	001	KLUEBERSYNTH UH1 64-62/25G (BIZERBA)	

4

Bitte unbedingt 11-stellige **Bestell-Nr.** angeben • Please always indicate 11 digit **Order No.** • Absolutement nécessaire d'indiquer **No. de commande** (11 chiffres) • Favorisca specificarci sempre il **N. di ordine** a 11 cifre • Es imprescindible que citen el **No. de pedido** (11 guarismos)

Amendment: 11/2009