

Slicer

SE 12 D

**SE 12 D / 0****SE 12 D / 18****SE 12 D / 25****SE 12 D / L**


Series (code No.) 90.092	Spare parts list No. 038.98.3.1004	SE 12 D
------------------------------------	--	----------------

Slicer

SE 12 D

Content of drawings	Page of drawing
Slicer, rotary knob, guard ring, blade bearing, supporting arm	1
Carriage guide, carriage drive	7
Carriage guide, (Siko)	11
Housing for electronics, ground plate	17
Motor, motor fastening	21
Carriage overview	22
Carriage 0 (0 inclination)	23
Carriage 18L and 18H (18 inclination)	25
Carriage 25H (25 inclination)	31
Ruler, product fixation	33
Sharpener	35
Plates, operating instructions, accessories, repair kit blade shaft	36
Last page of drawings	39

12-2 Rimmed drawing position numbers mark the assemblies of spare parts. The spare parts, which may be ordered, are marked in a detailed way elsewhere in the spare parts list.

10-500-5  Drawing position numbers with an arrow refer to lubricating greases, lubricating oils or screw sealings used in connection with the relevant spare part.

The content of the parts number list is located before the text pages in the rear part of the spare parts list.

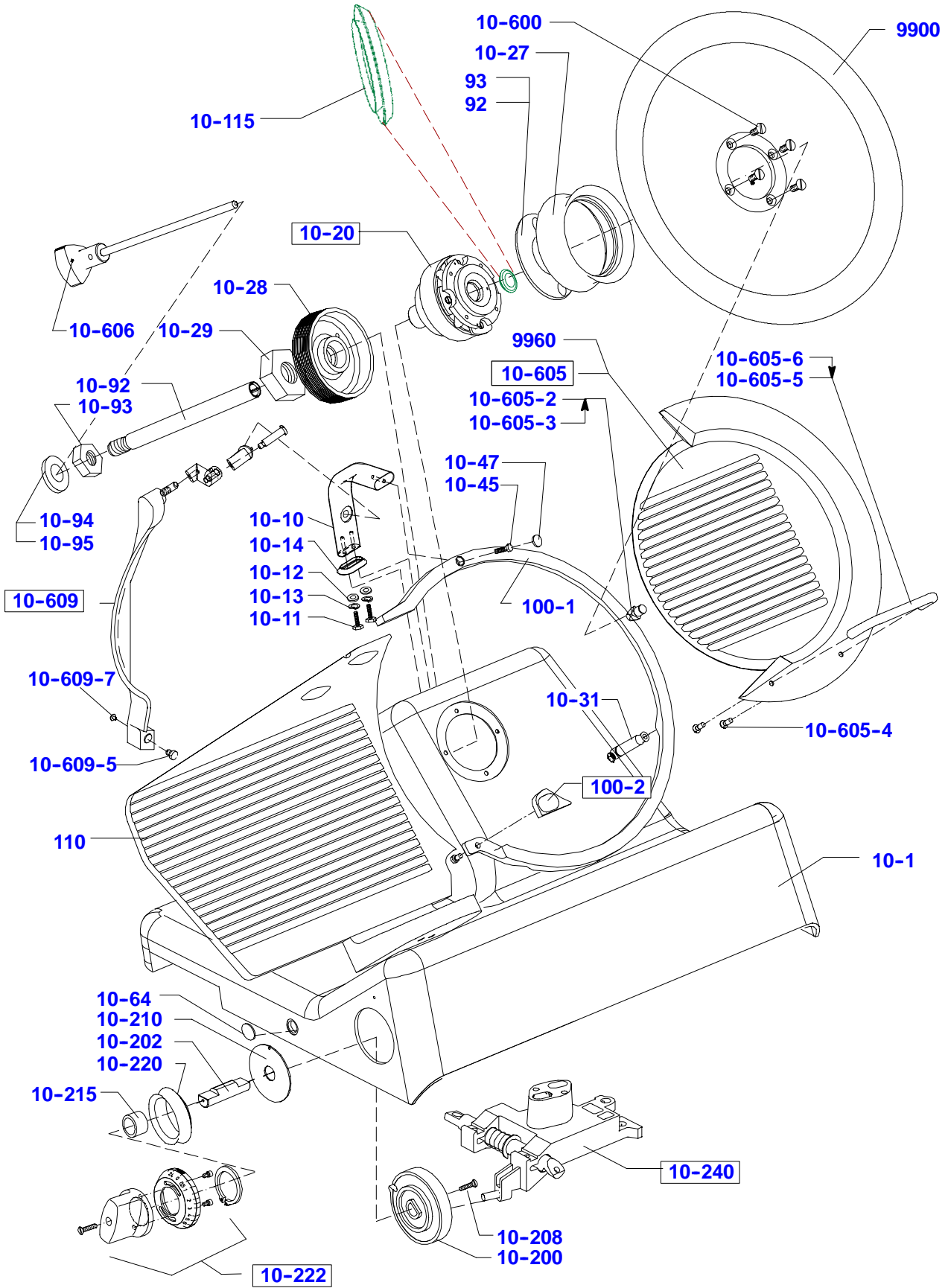
SE 12 D

Spare parts list No.
038.98.3.1004

Series (code No.)
90.092

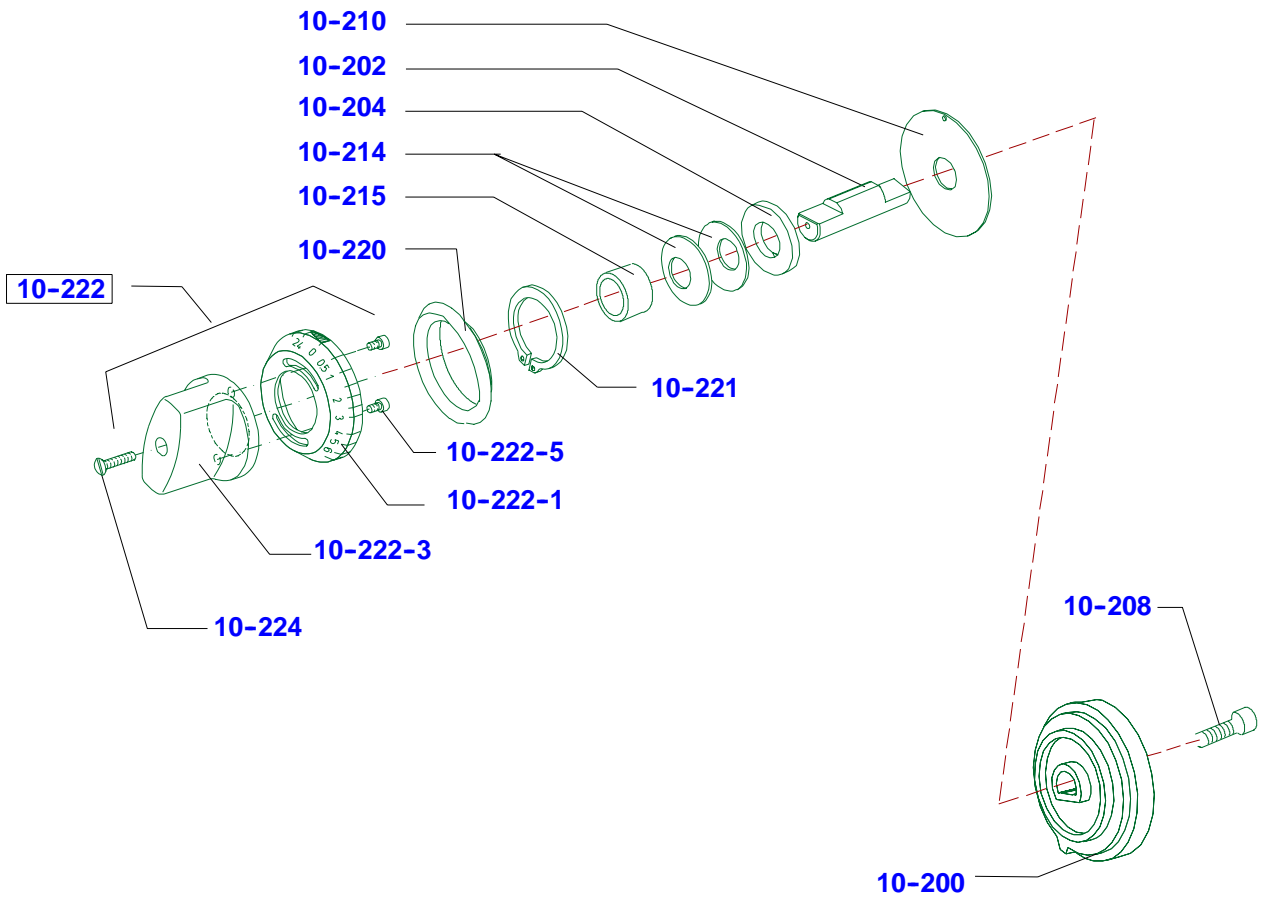
4

Slicer, rotary knob, guard ring, blade bearing, supporting arm



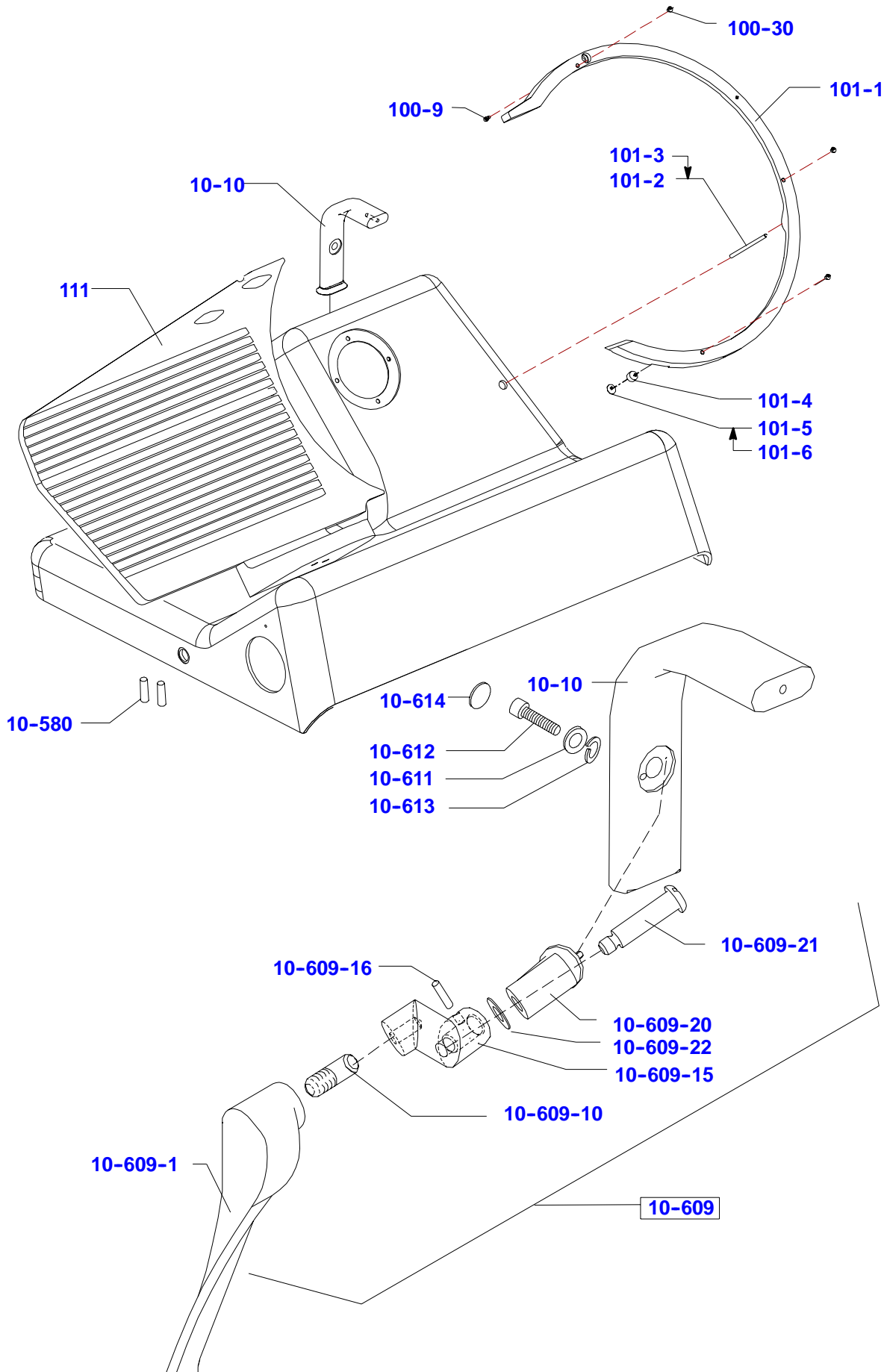
Page of drawing 2	SE 12 D	Spare parts list No. 038.98.3.1006	Series (code No.) 90.092
-----------------------------	----------------	--	------------------------------------

Slicer, rotary knob, guard ring, blade bearing, supporting arm

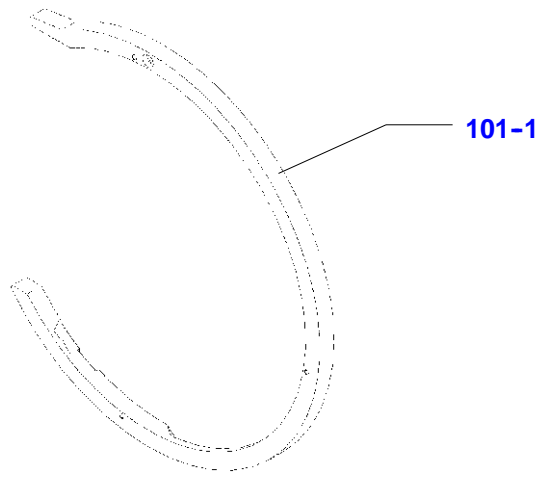
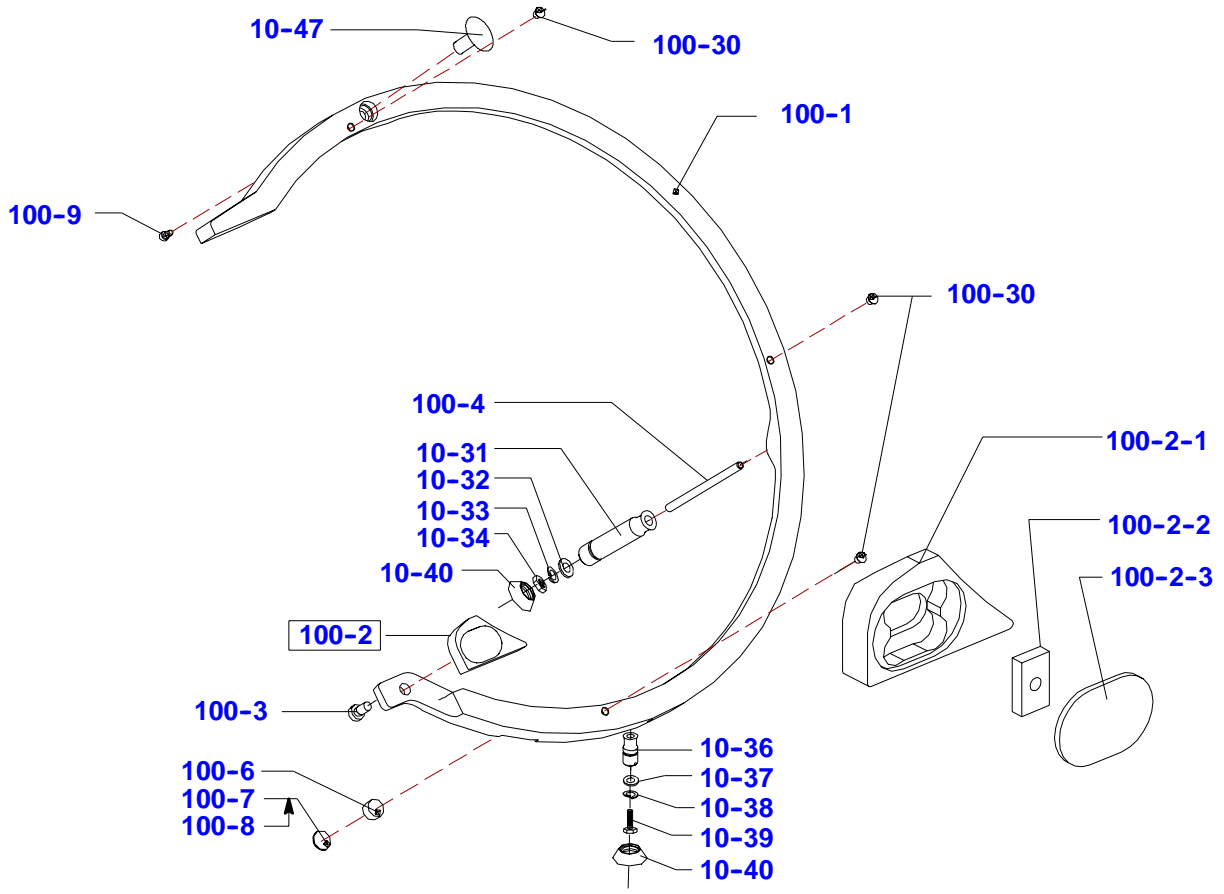


4

Slicer, rotary knob, guard ring, blade bearing, supporting arm

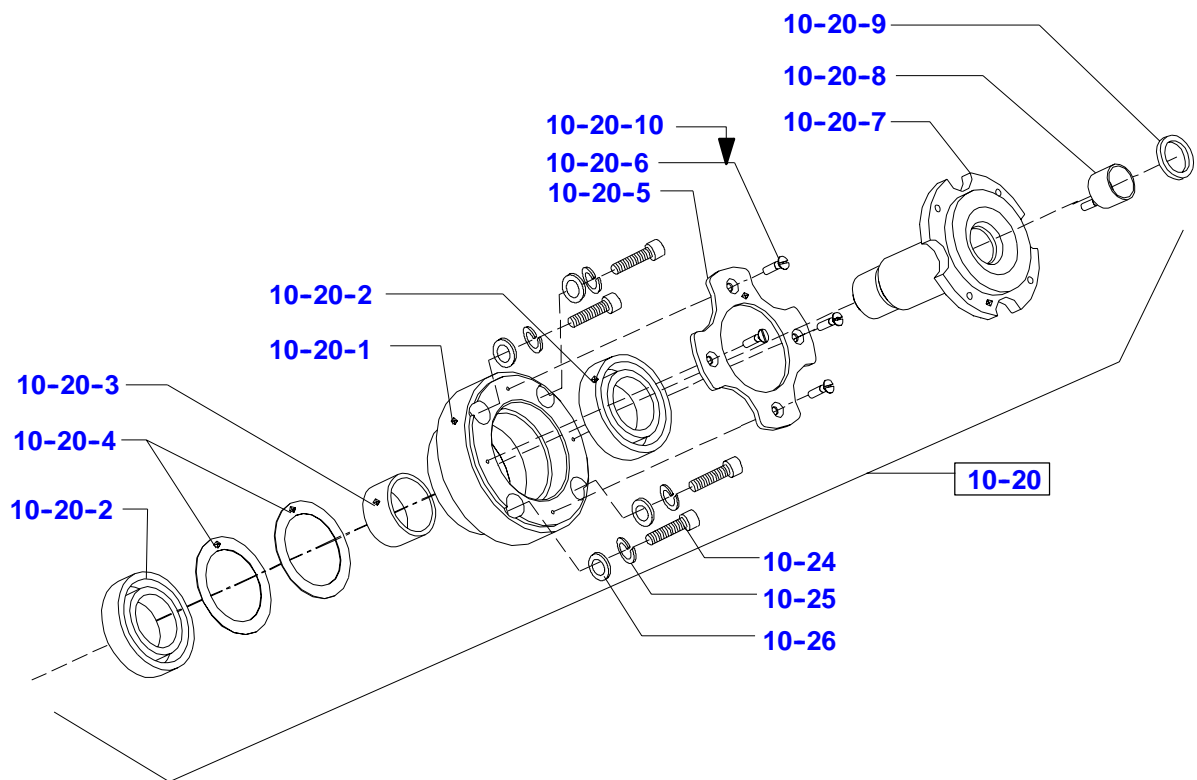


Slicer, rotary knob, guard ring, blade bearing, supporting arm

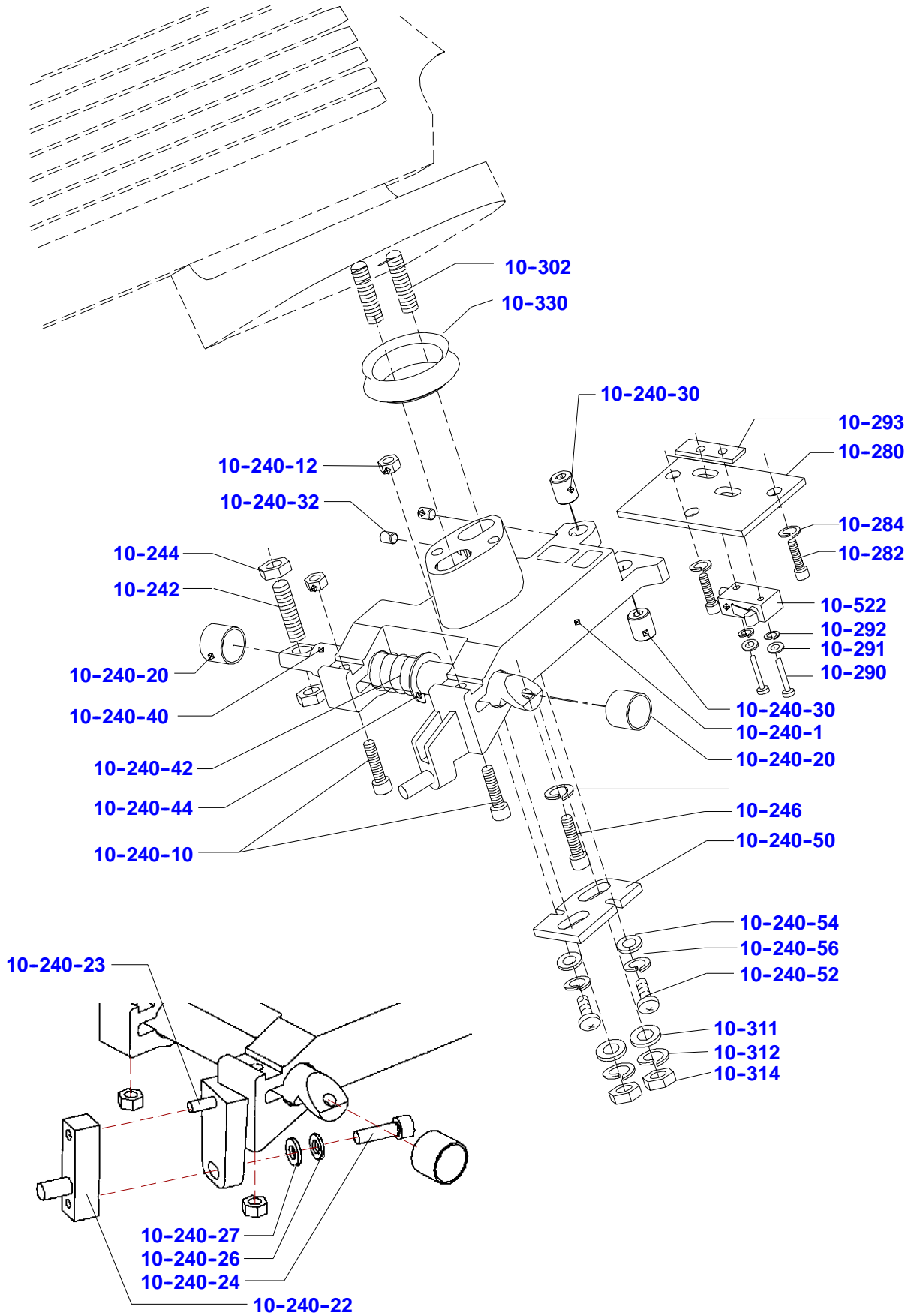


4

Slicer, rotary knob, guard ring, blade bearing, supporting arm

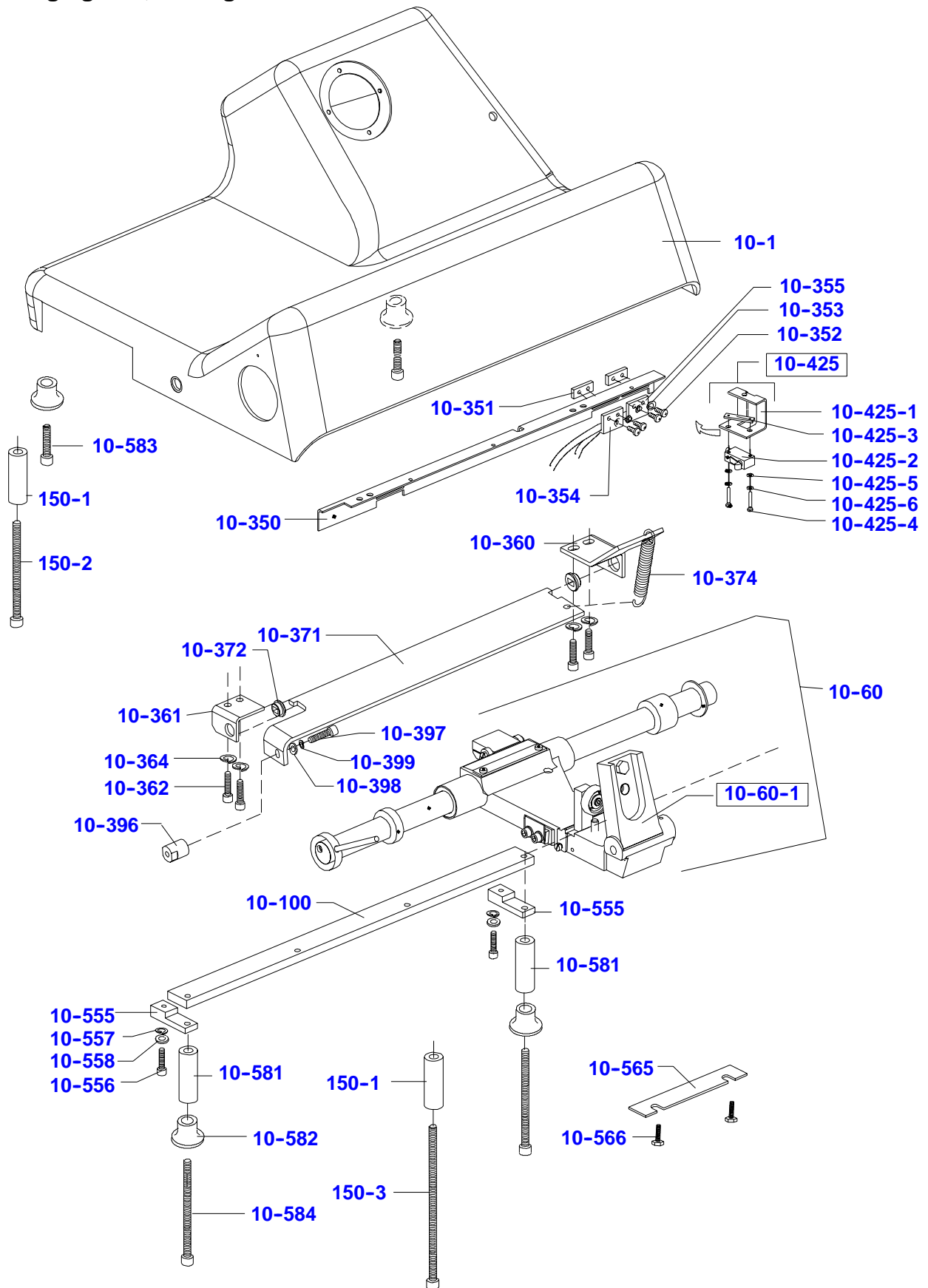


Slicer, rotary knob, guard ring, blade bearing, supporting arm

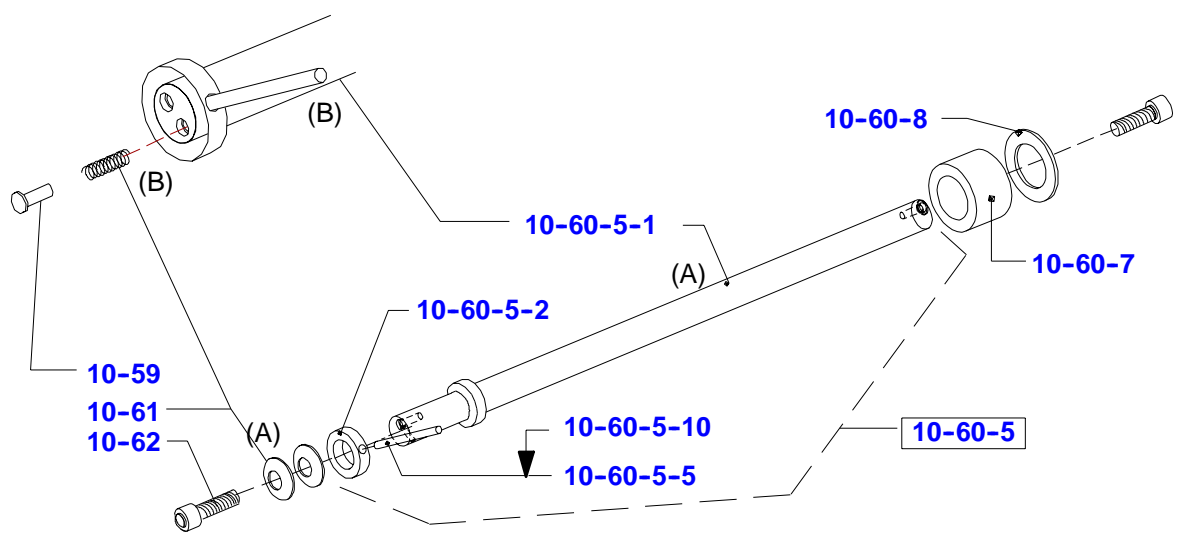
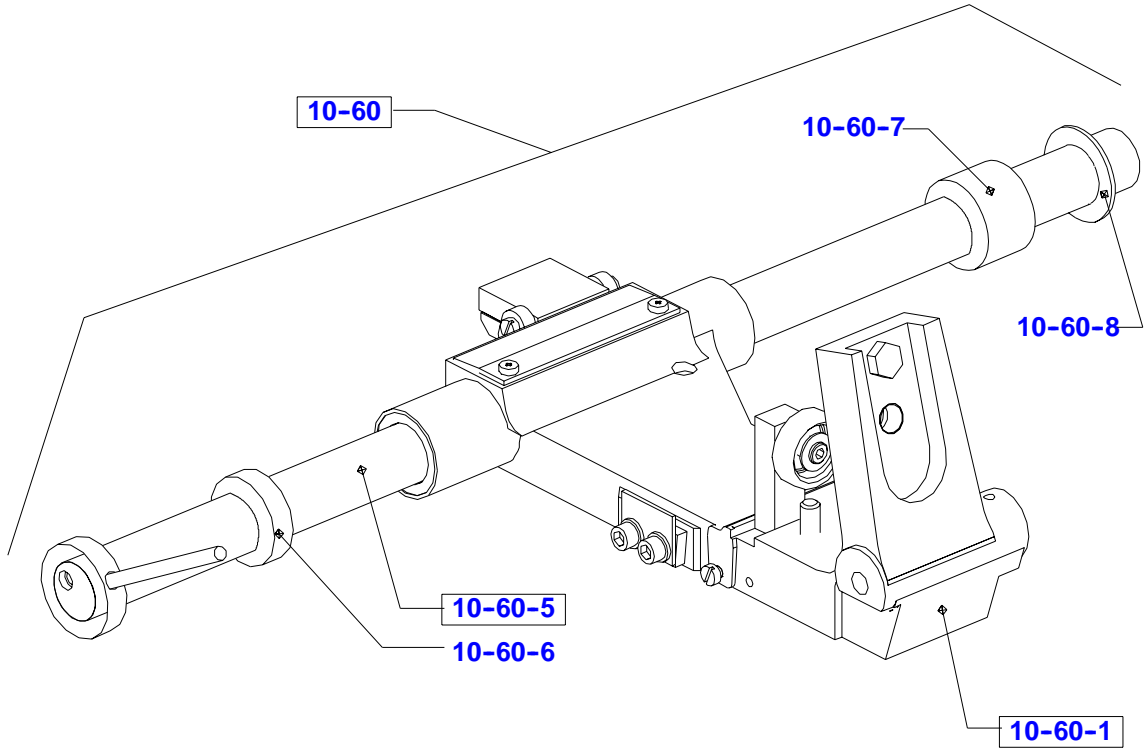


4

Carriage guide, carriage drive

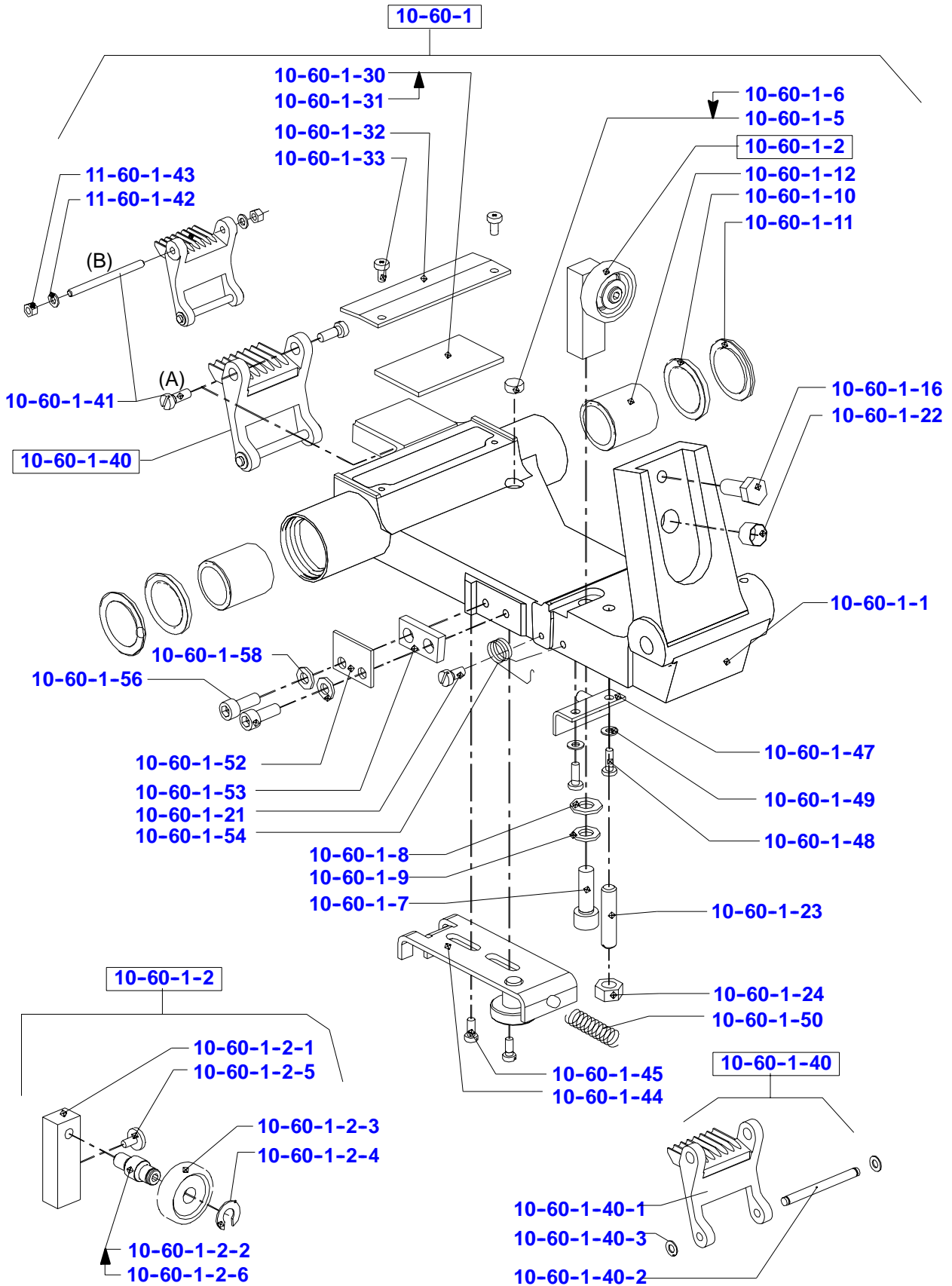


Carriage guide, carriage drive

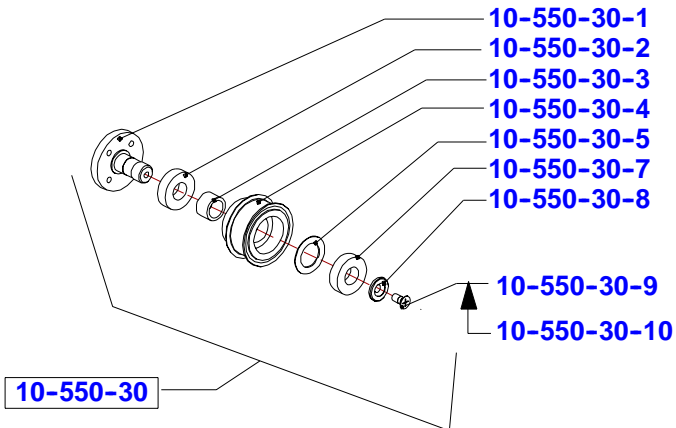
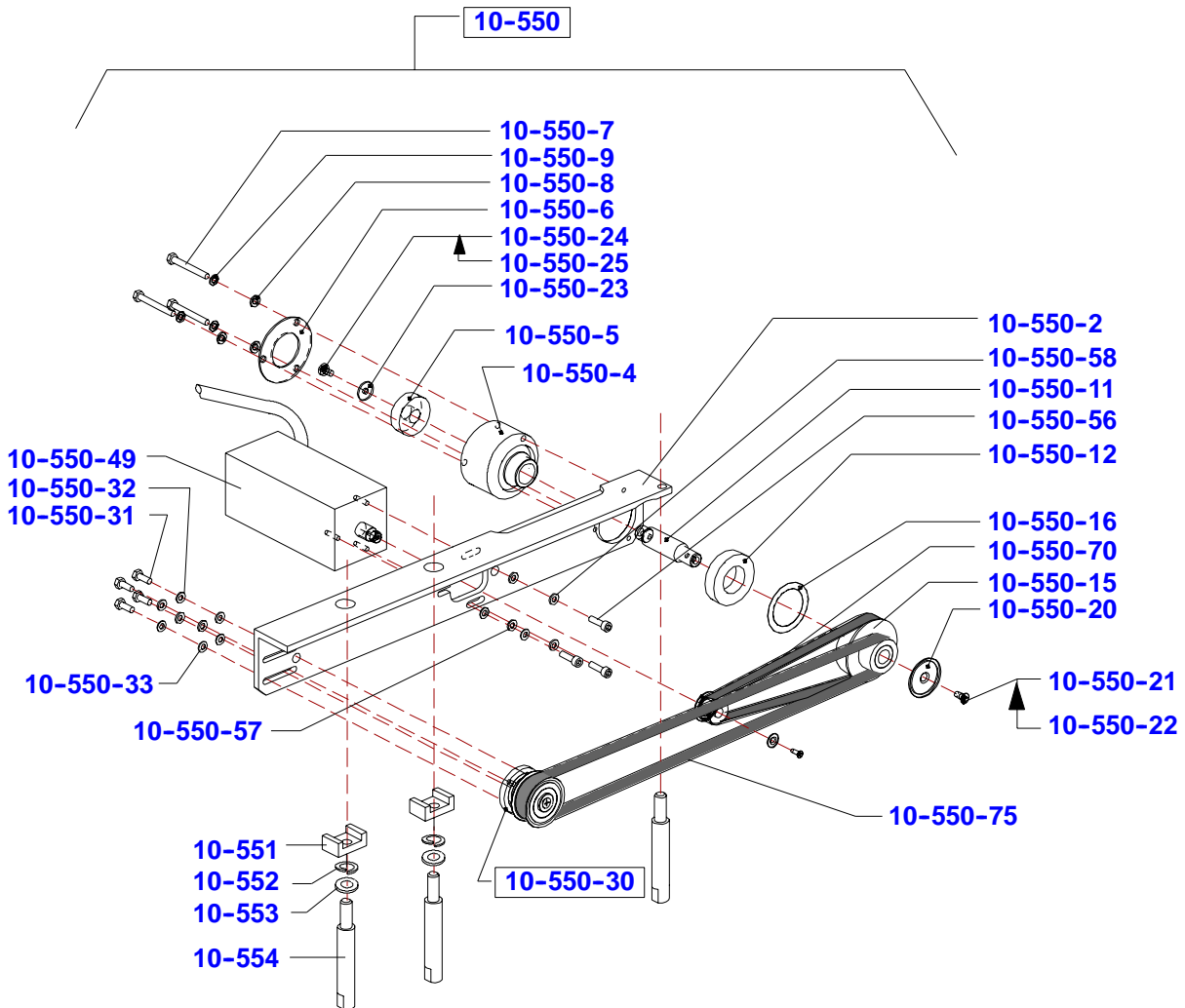


4

Carriage guide, carriage drive

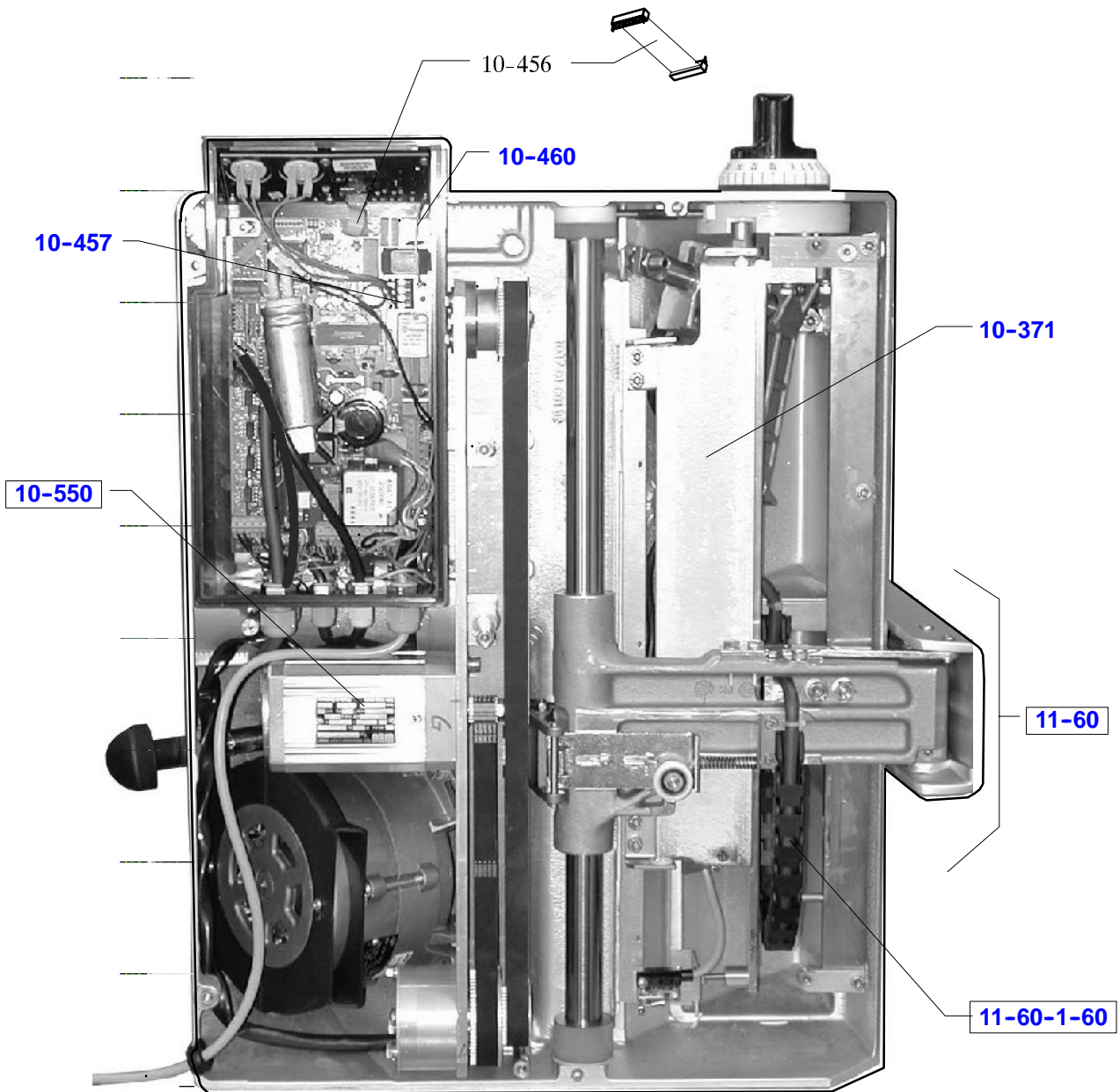


Carriage guide, carriage drive

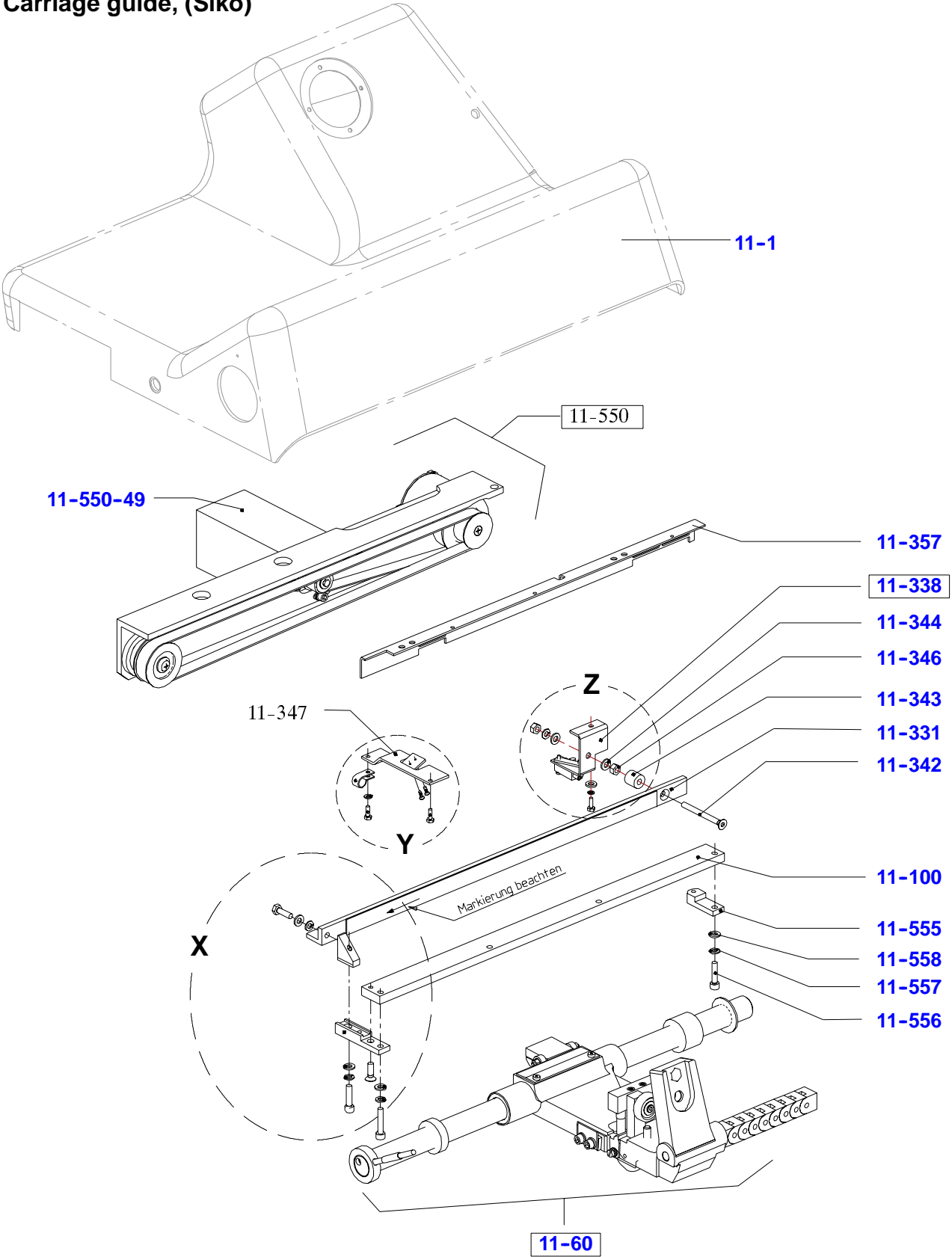


4

Carriage guide, (Siko)

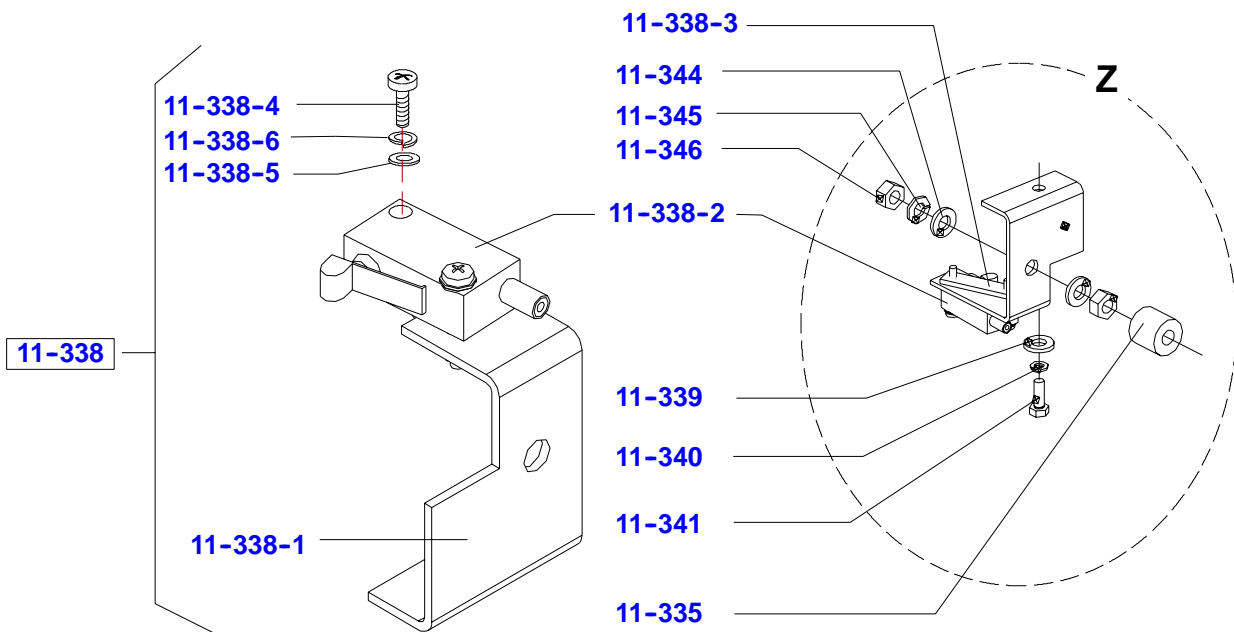
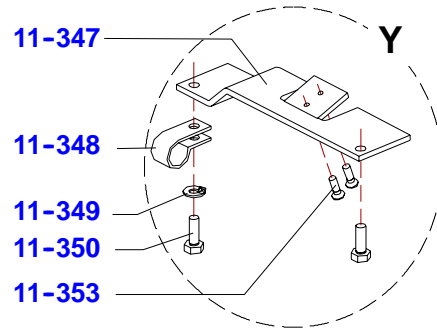
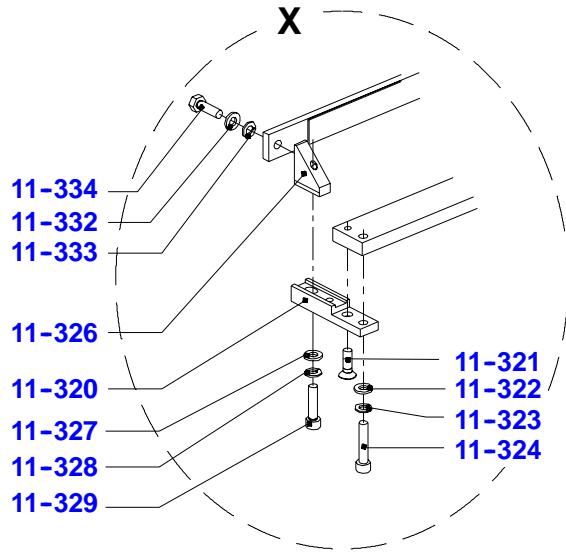


Carriage guide, (Siko)

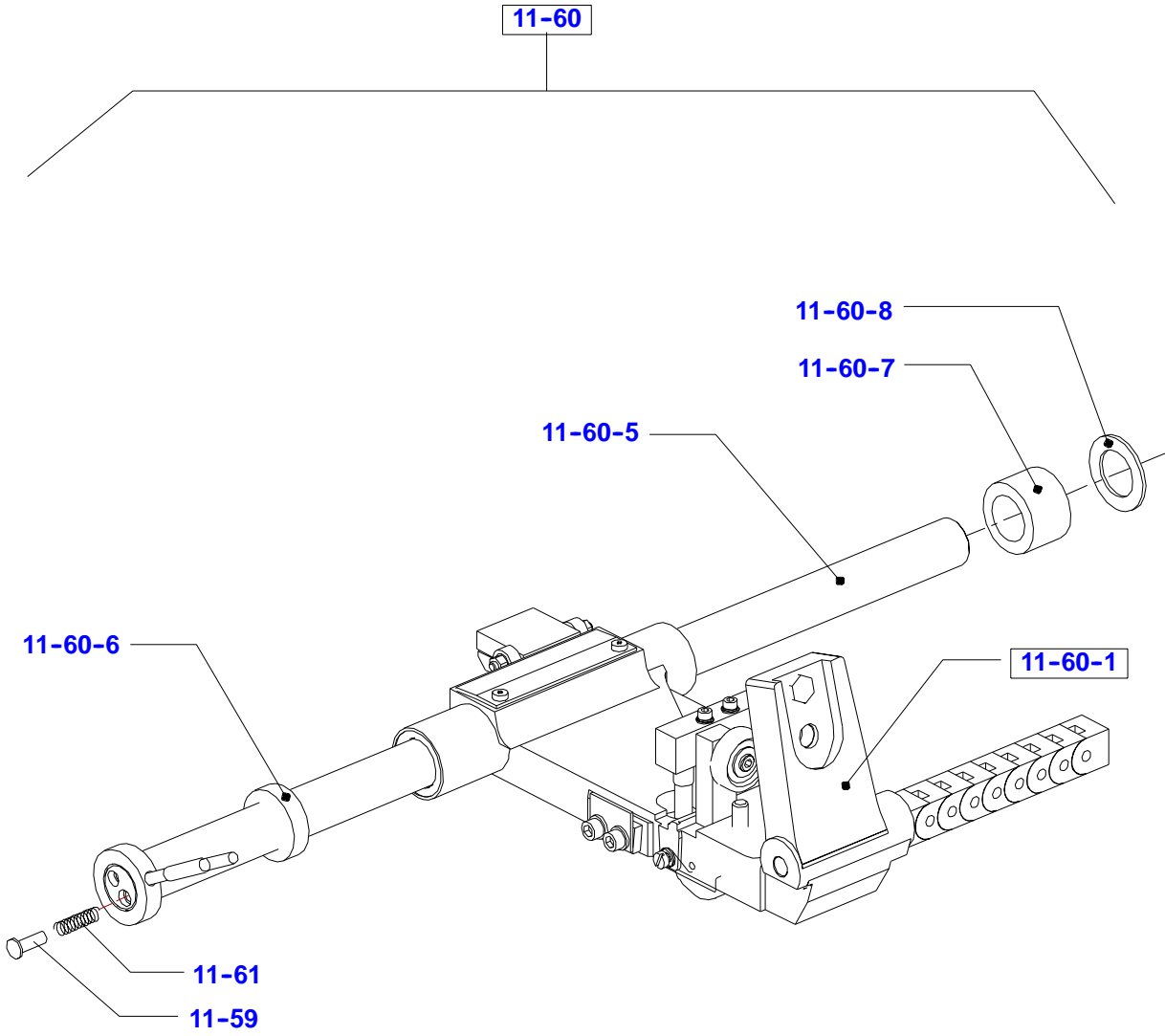


4

Carriage guide, (Siko)

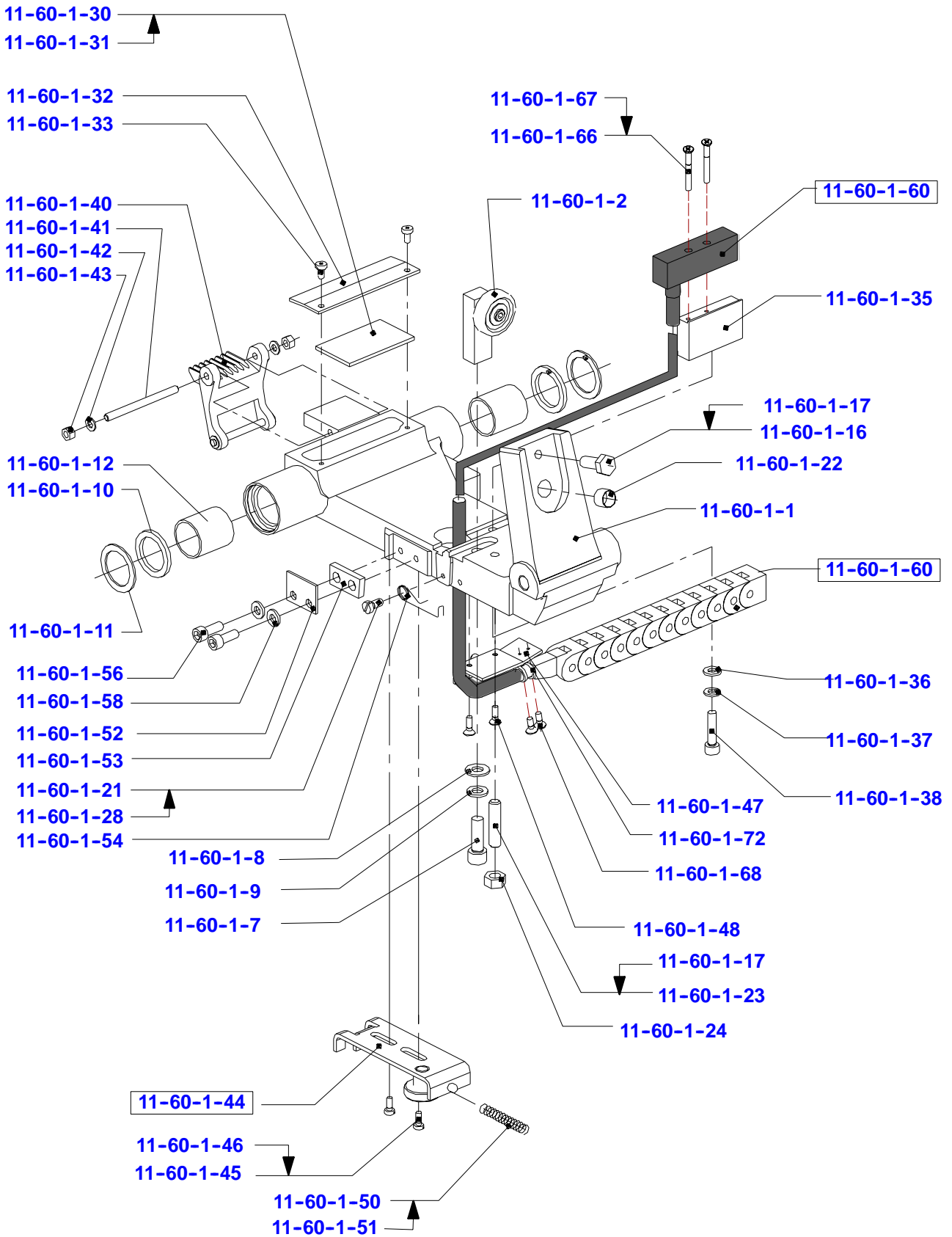


Carriage guide, (Siko)

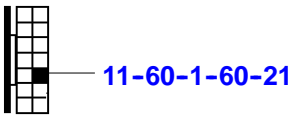
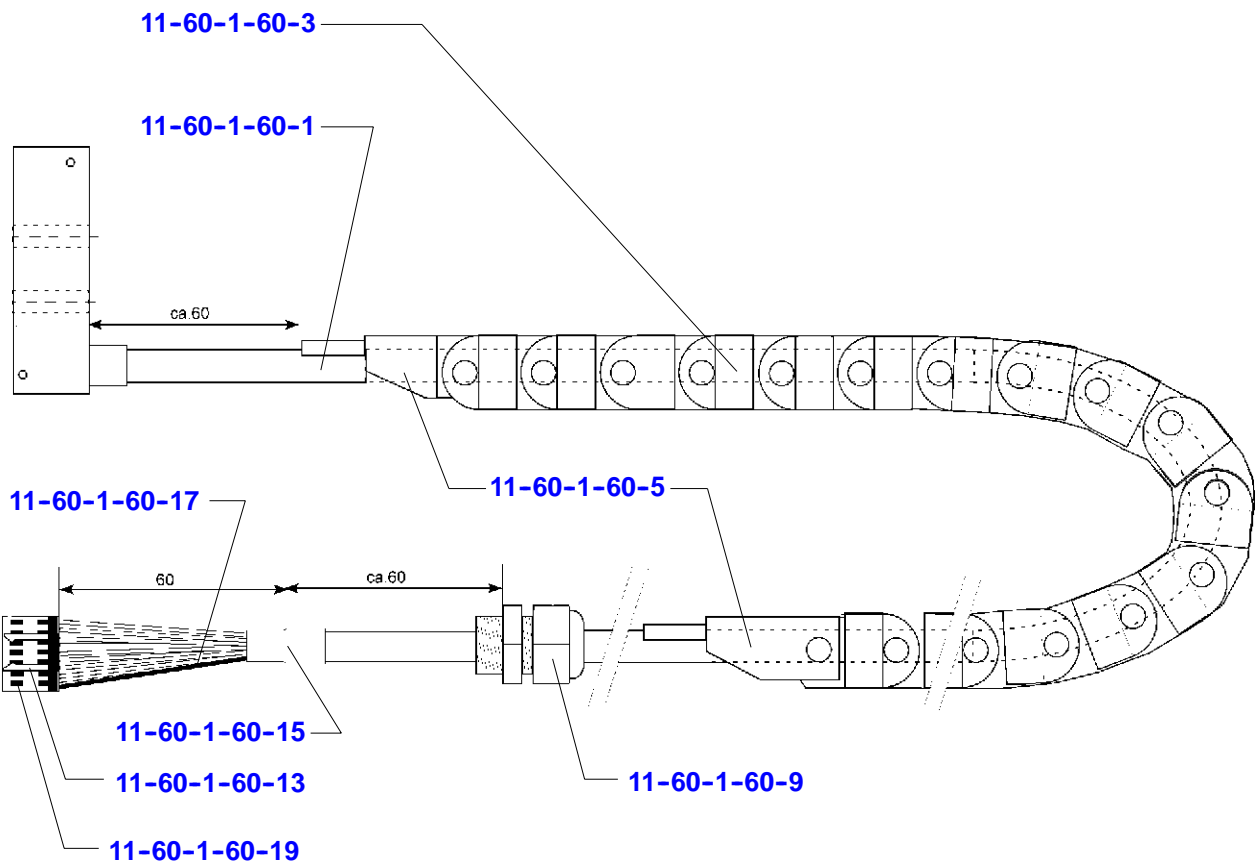
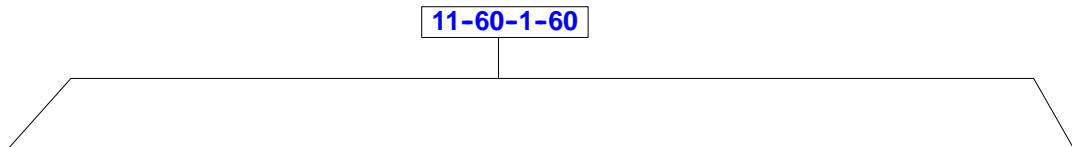
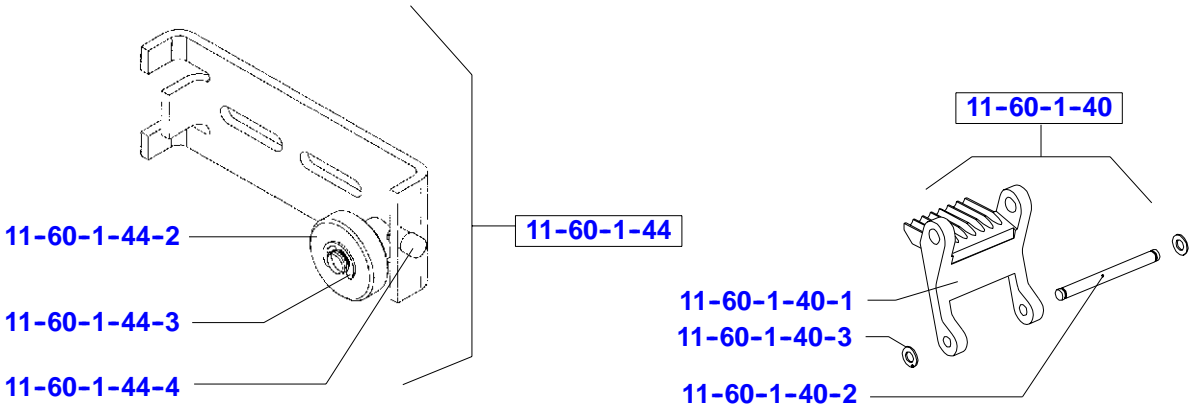


4

Carriage guide, (Siko)

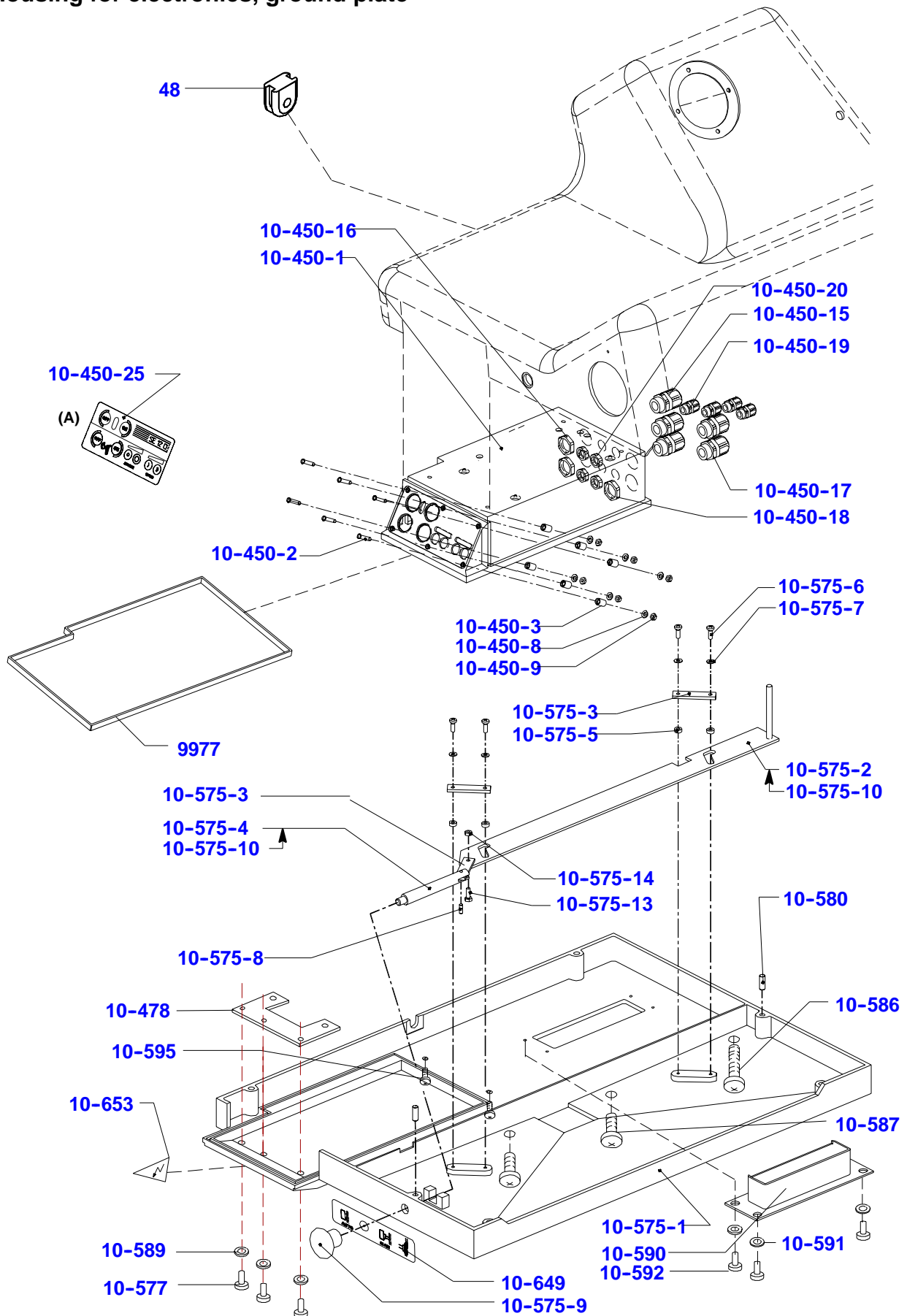


Carriage guide, (Siko)

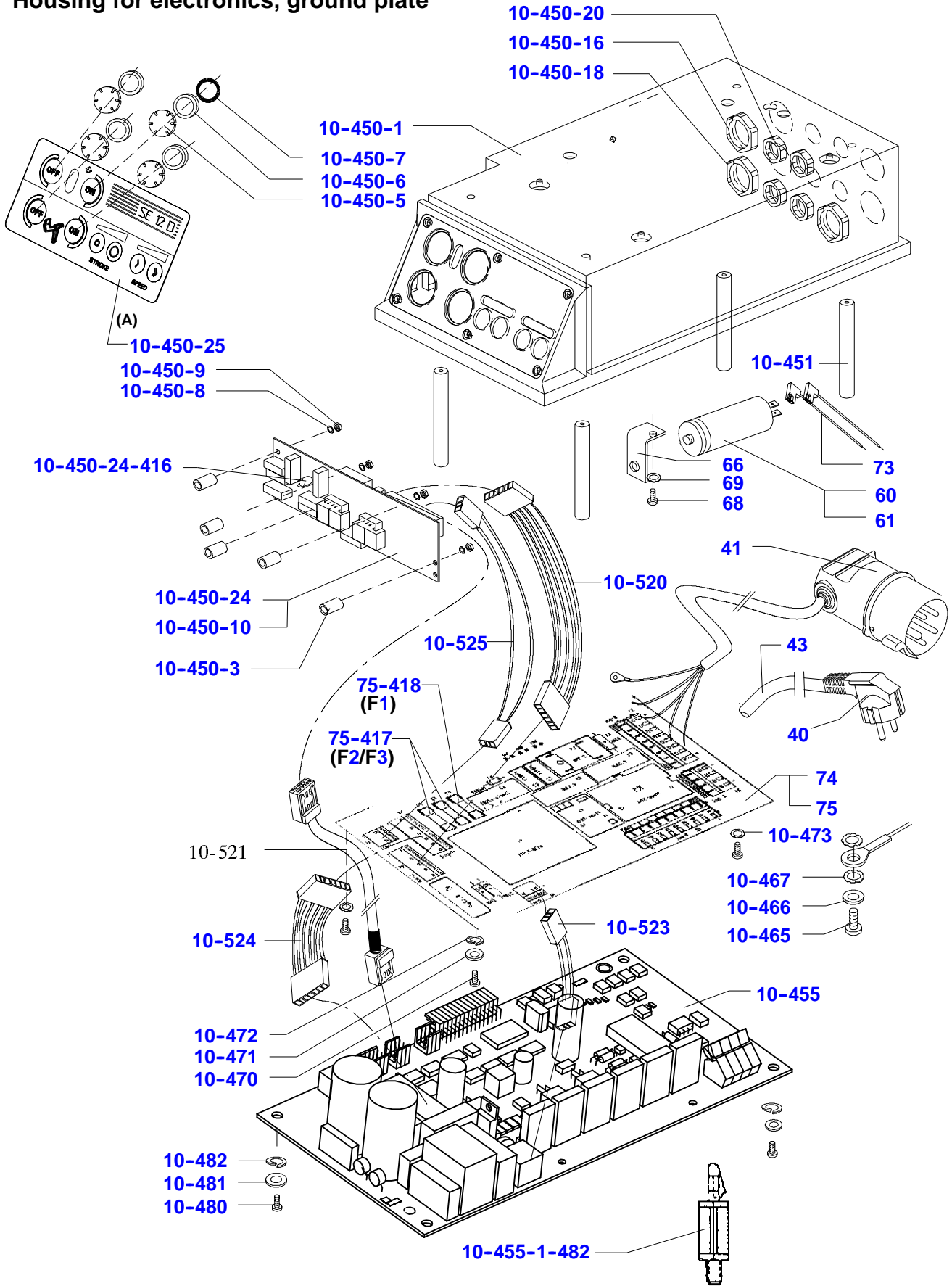


4

Housing for electronics, ground plate

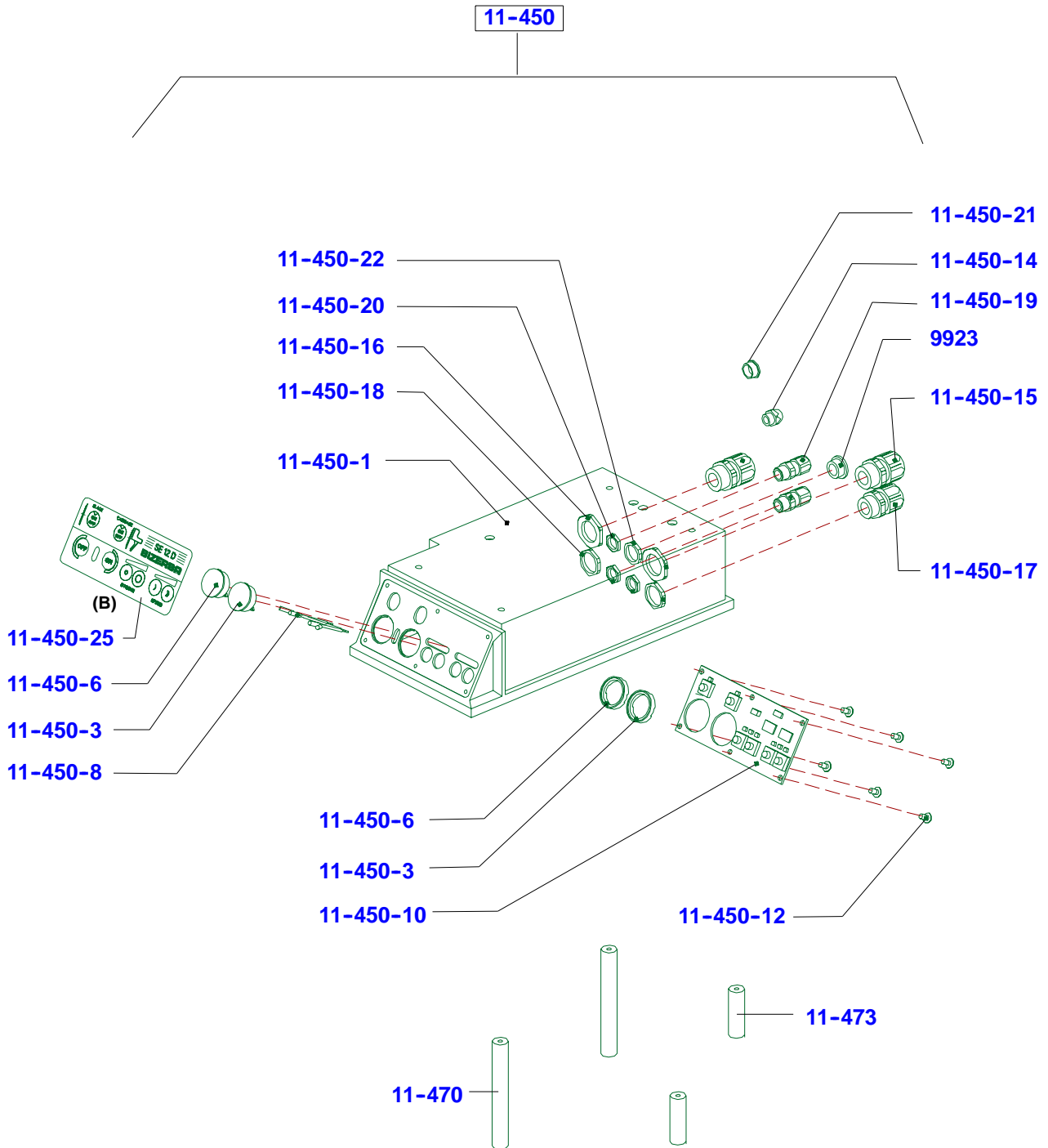


Housing for electronics, ground plate

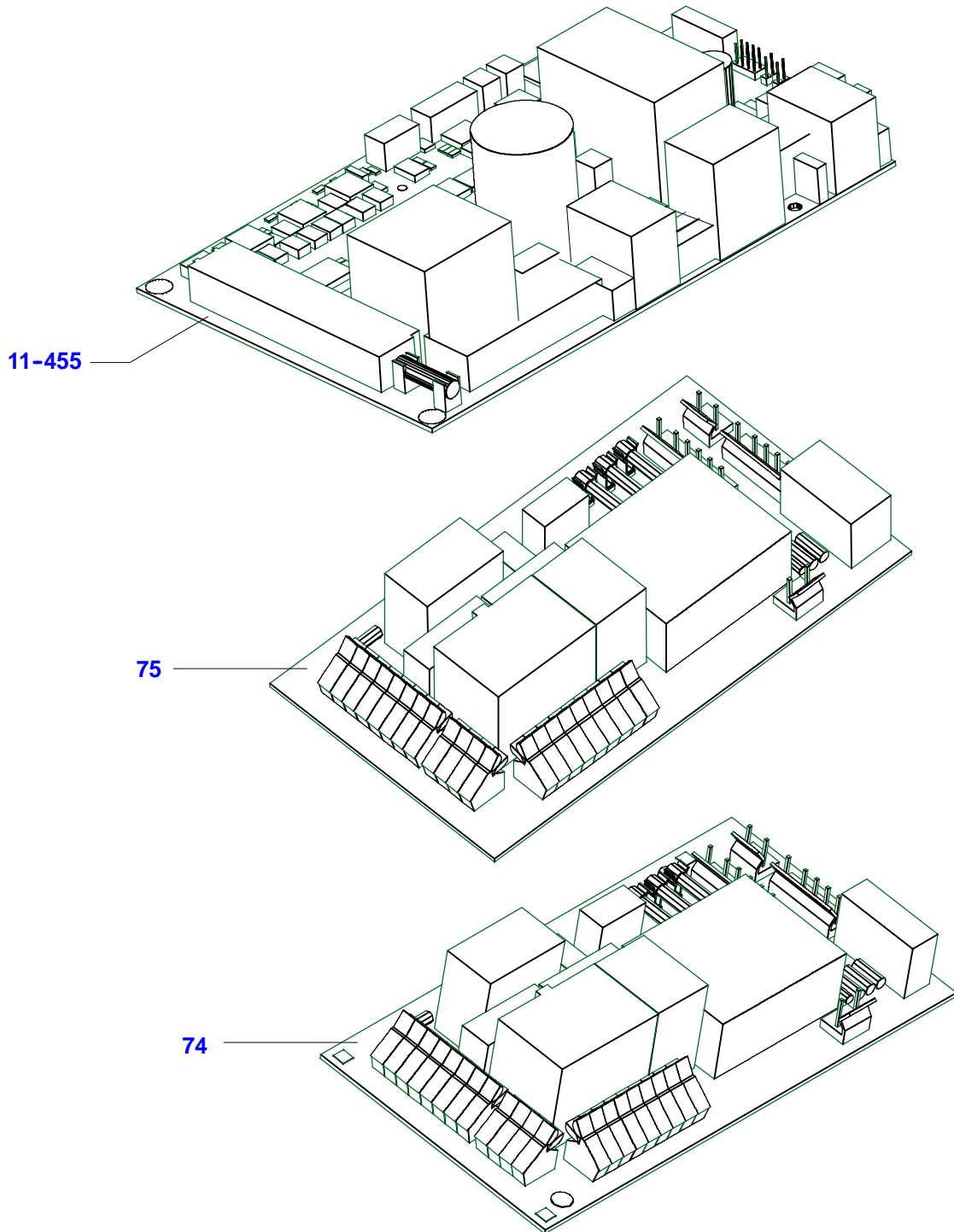


4

Housing for electronics, ground plate

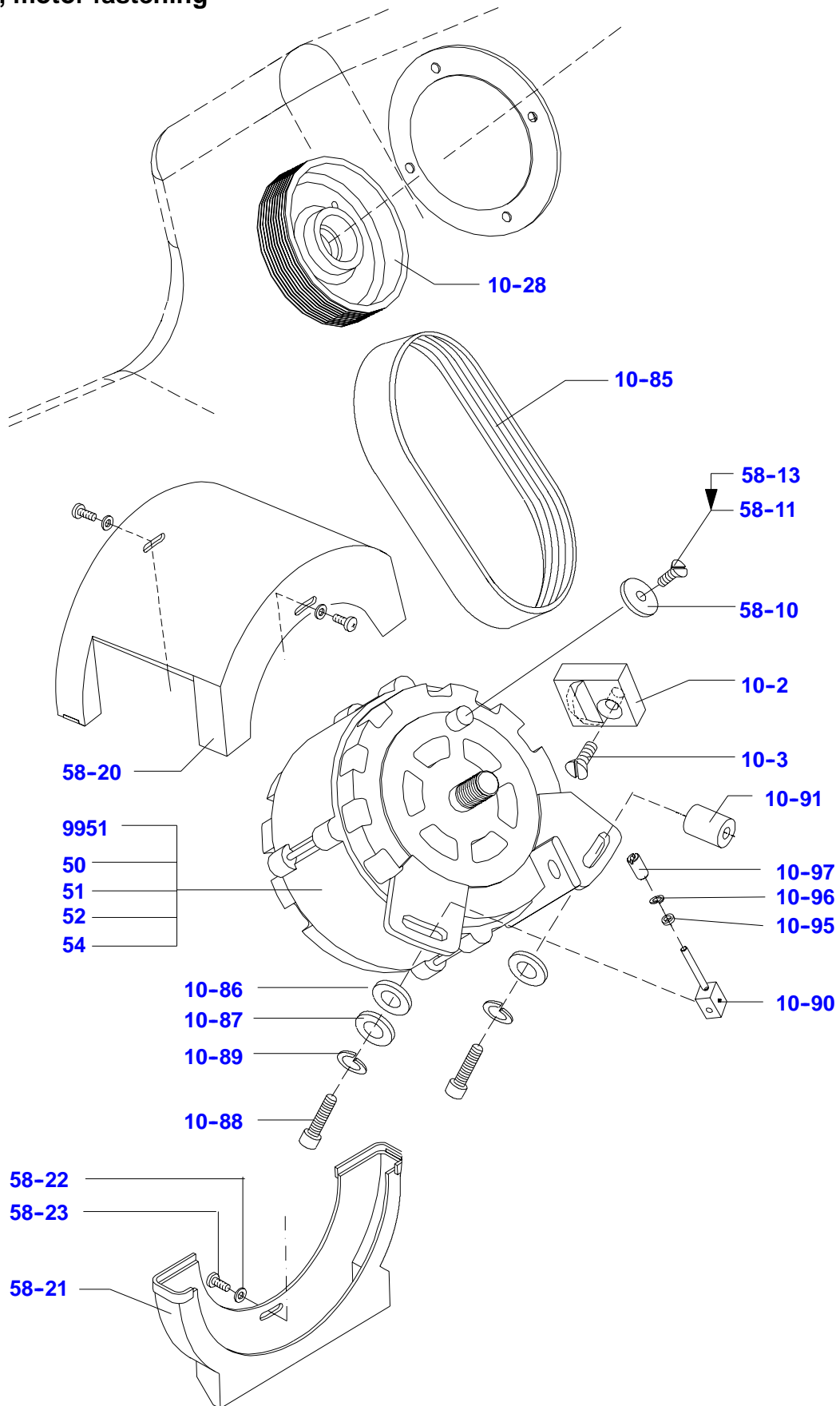


Housing for electronics, ground plate

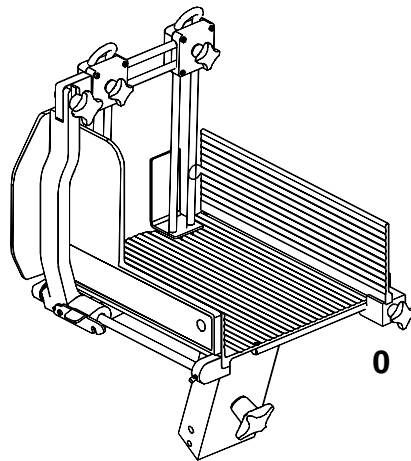


4

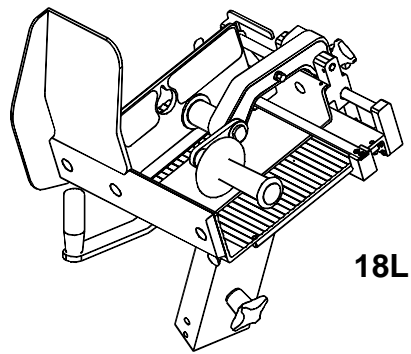
Motor, motor fastening



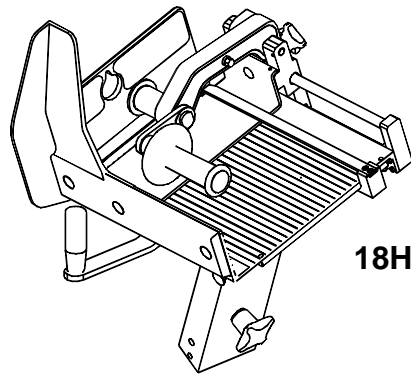
Carriage overview



20

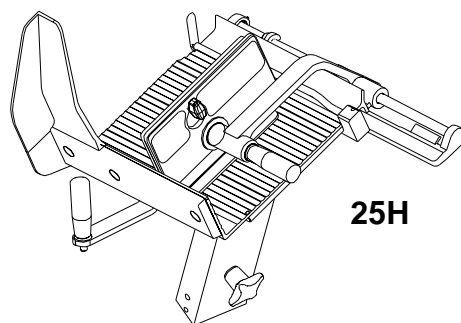


18L



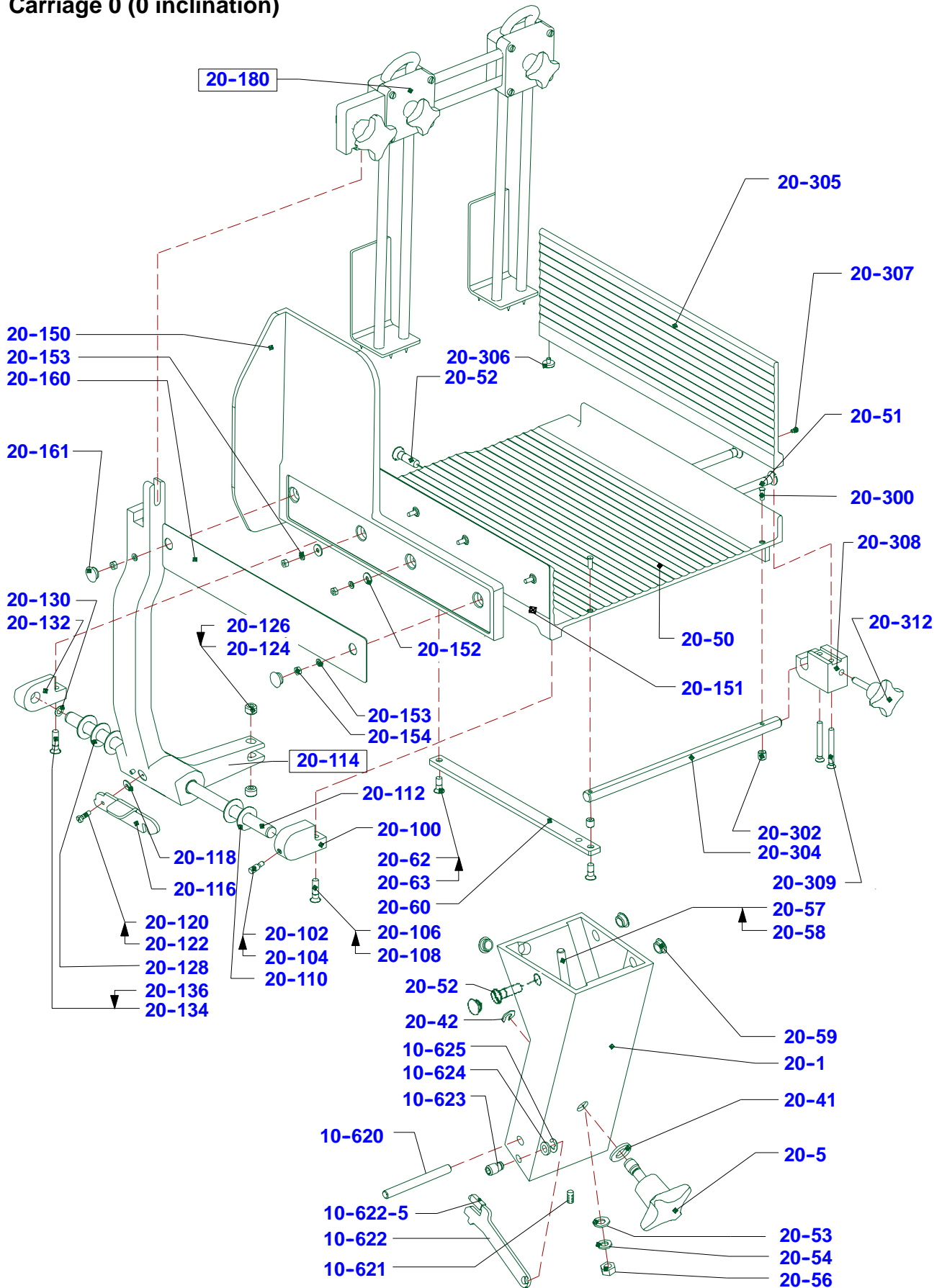
18H

21

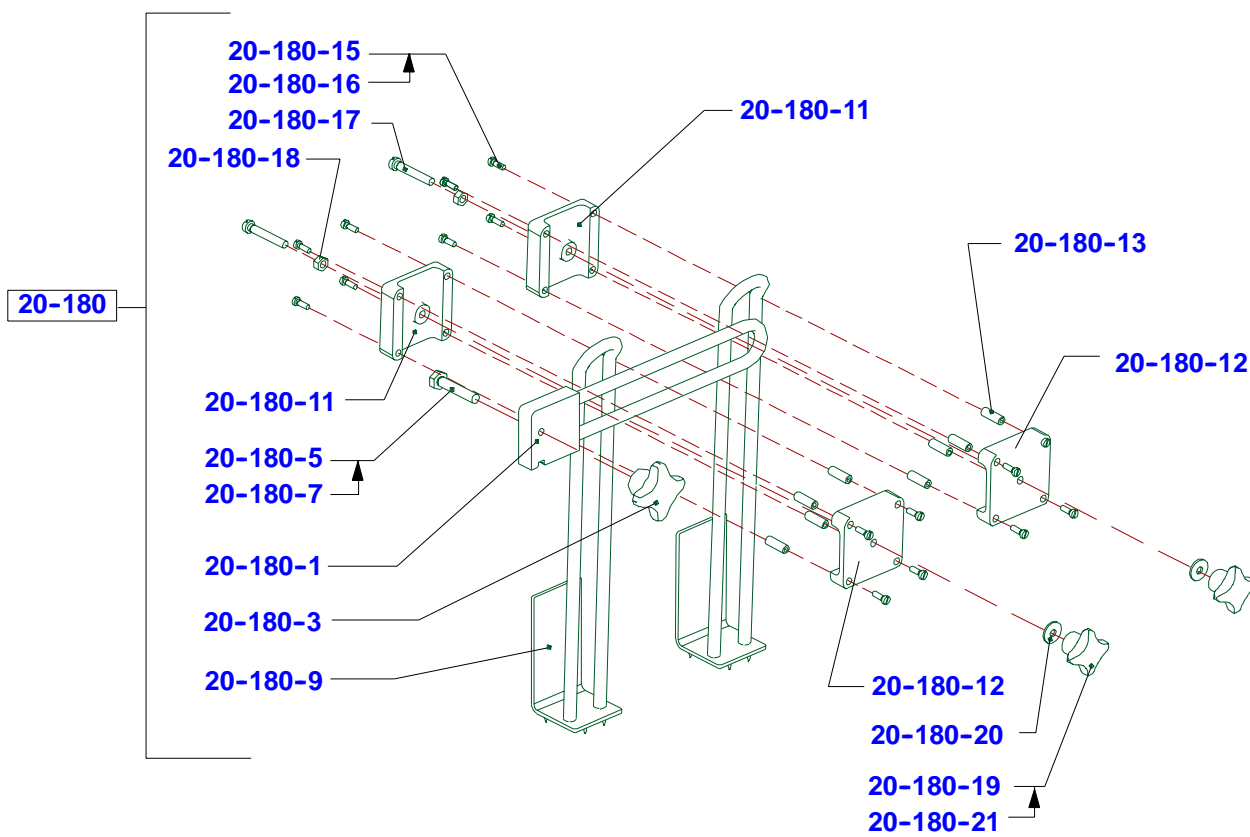
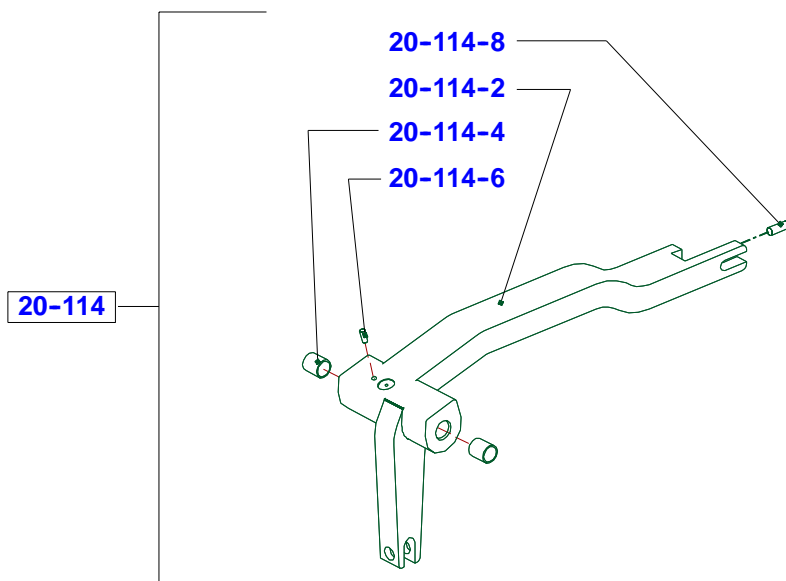


25H

Carriage 0 (0 inclination)

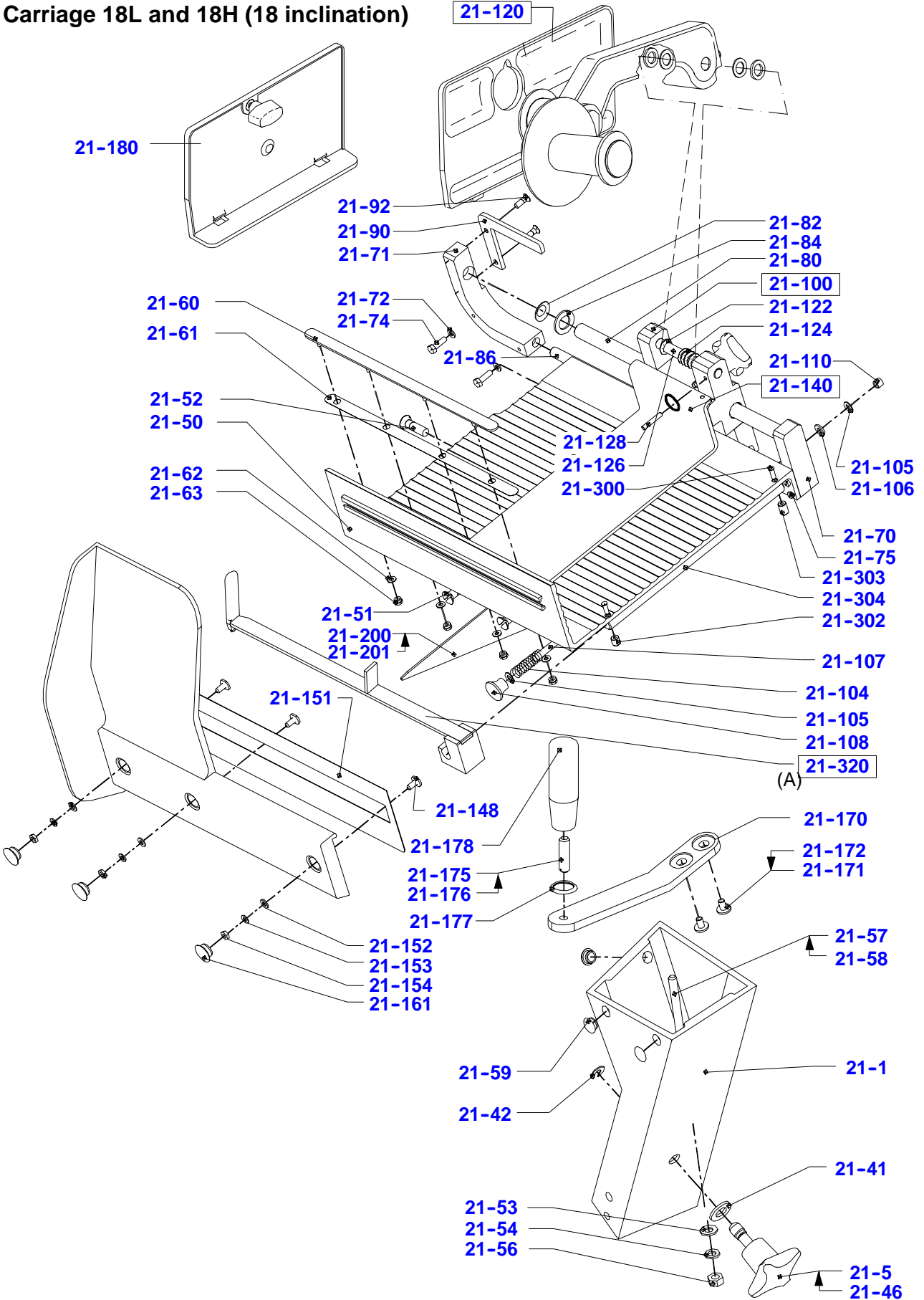


Carriage 0 (0 inclination)



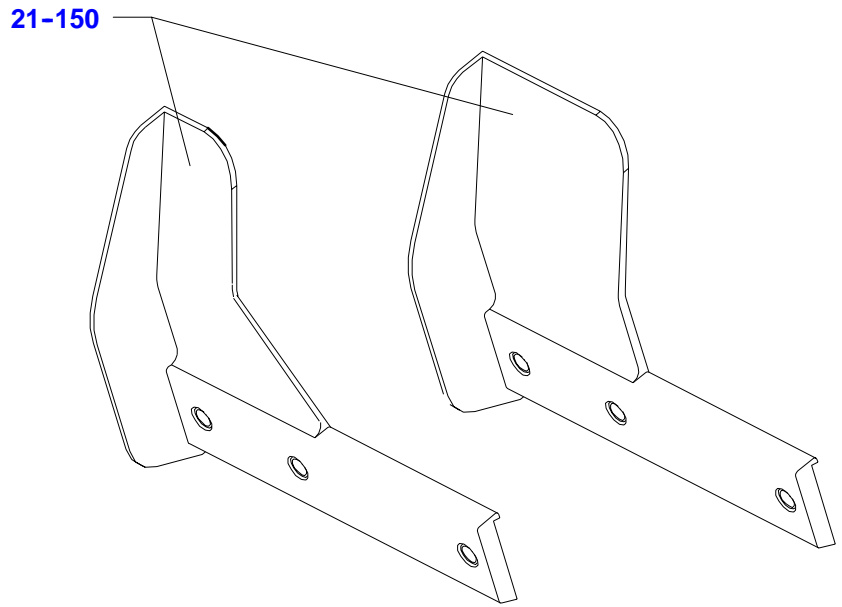
4

Carriage 18L and 18H (18 inclination)



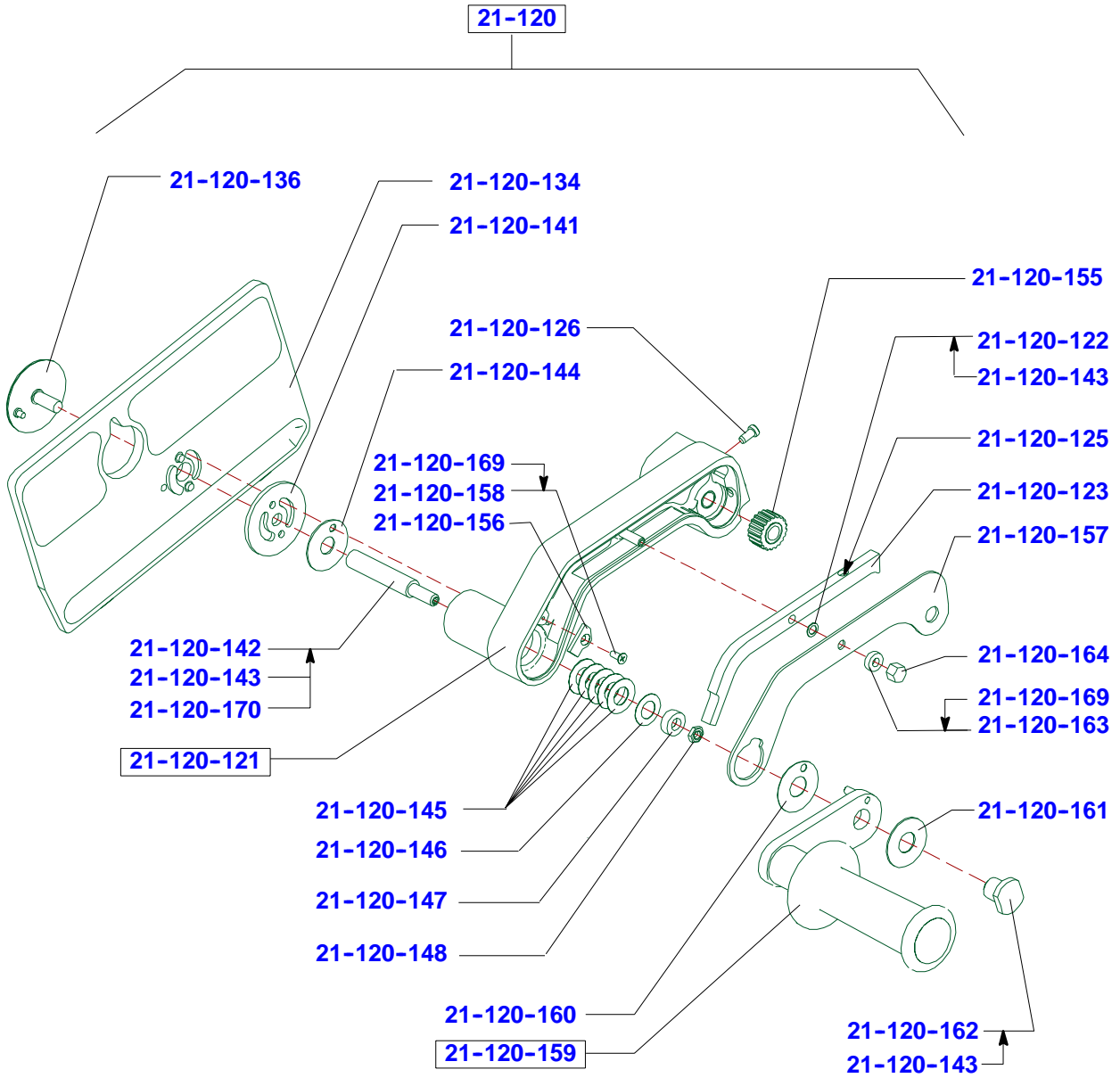
Page of drawing 26	SE 12 D	Spare parts list No. 038.98.3.1006	Series (code No.) 90.092
------------------------------	----------------	--	------------------------------------

Carriage 18L and 18H (18 inclination)

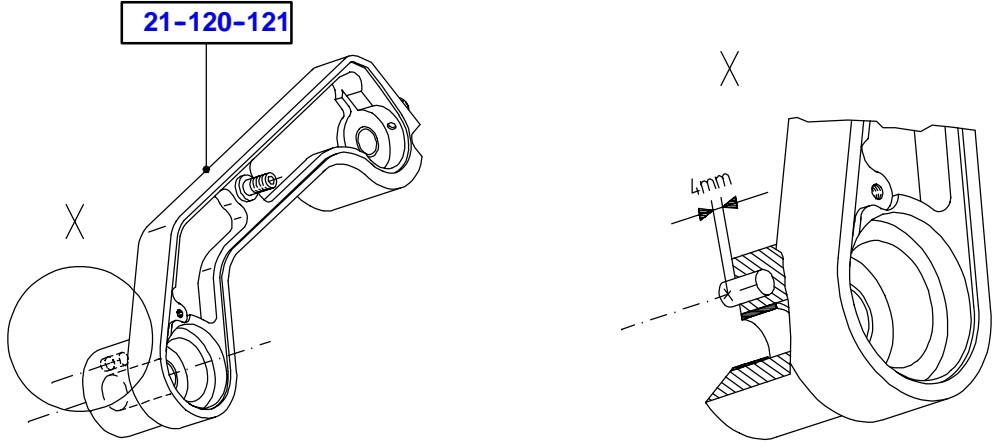


4

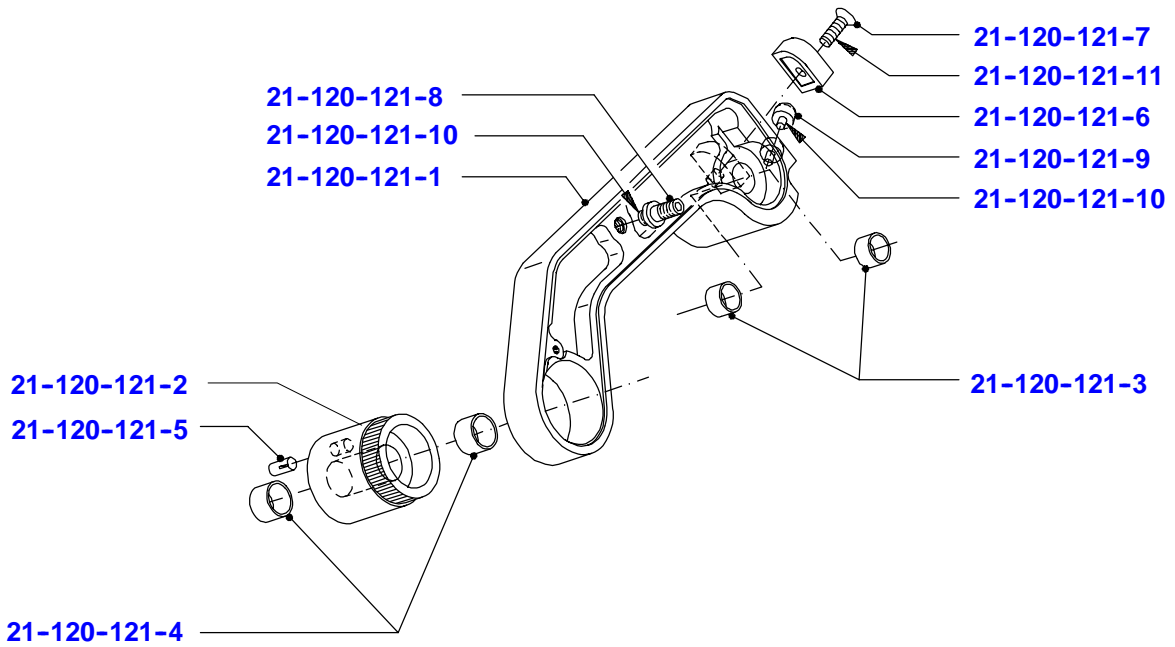
Carriage 18L and 18H (18 inclination)



Carriage 18L and 18H (18 inclination)

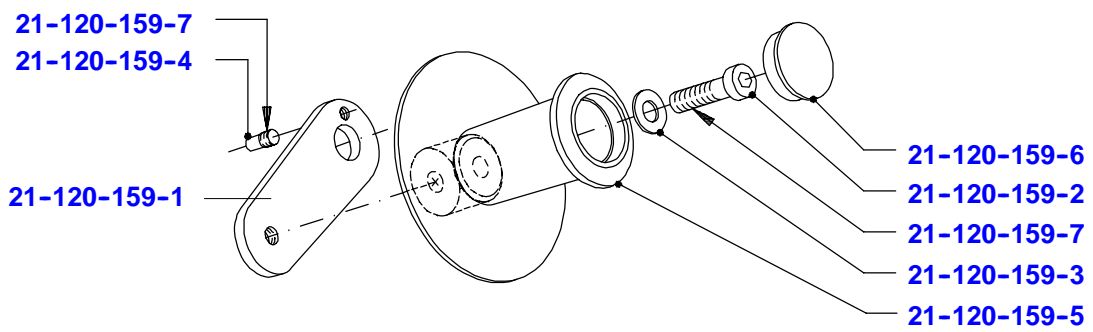
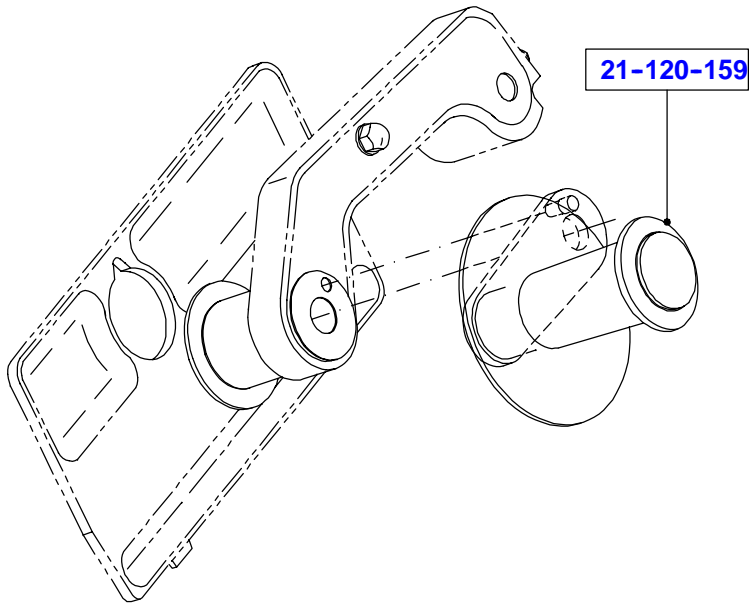


4

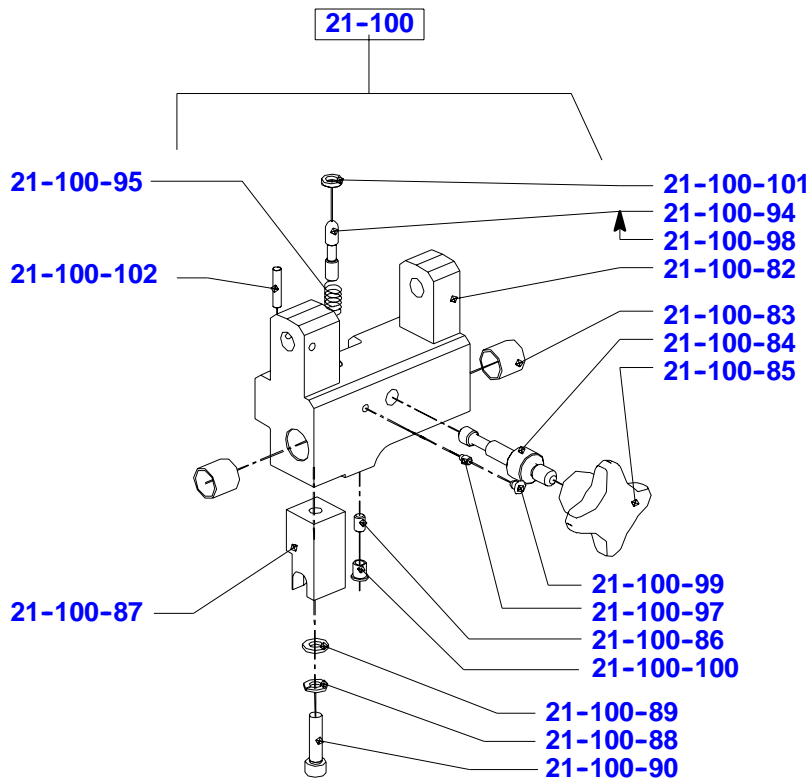


Series (code No.) 90.092	Spare parts list No. 038.98.3.1004	SE 12 D	Page of drawing 29
------------------------------------	--	----------------	------------------------------

Carriage 18L and 18H (18 inclination)

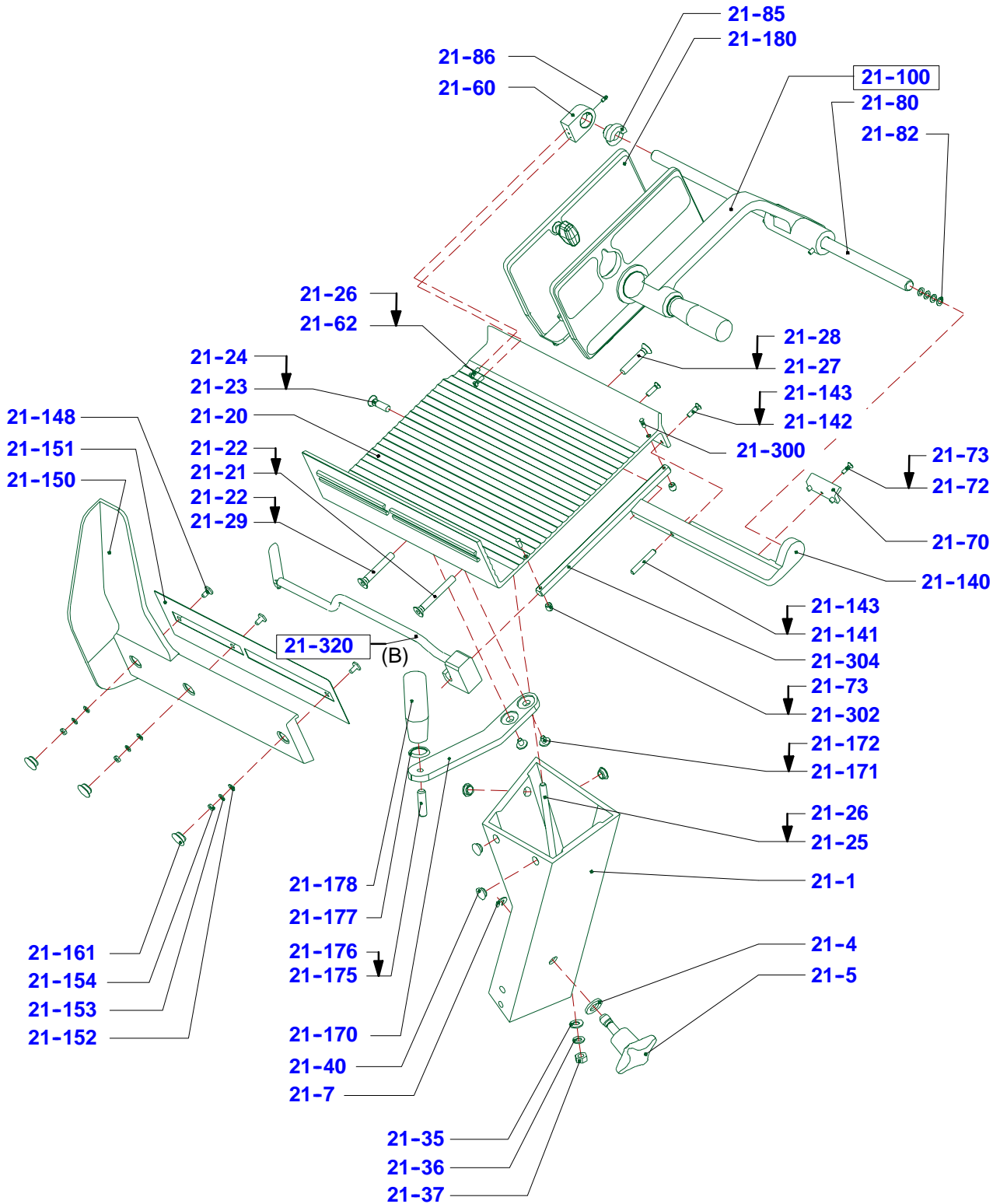


Carriage 18L and 18H (18 inclination)

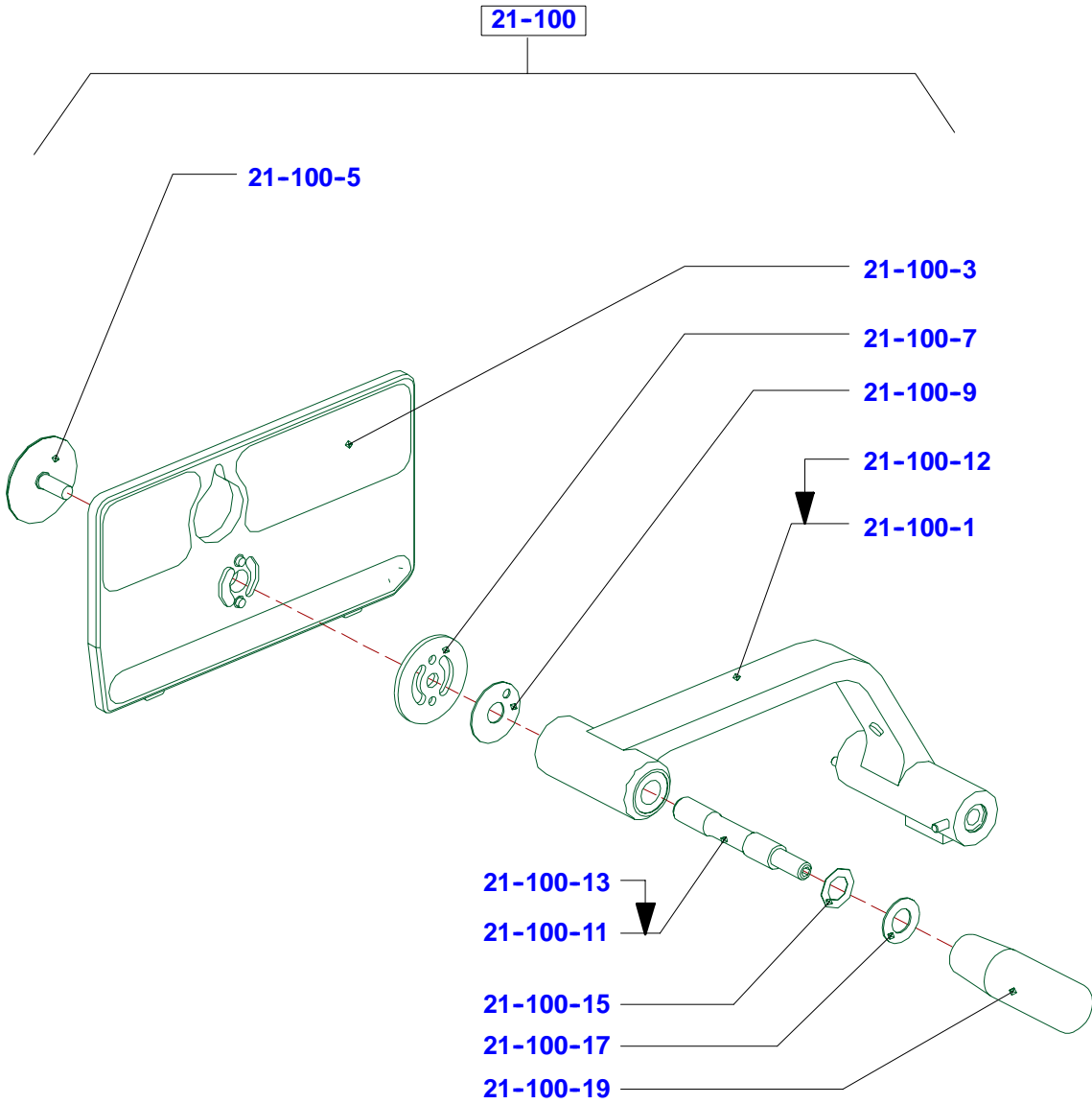


4

Carriage 25H (25 inclination)

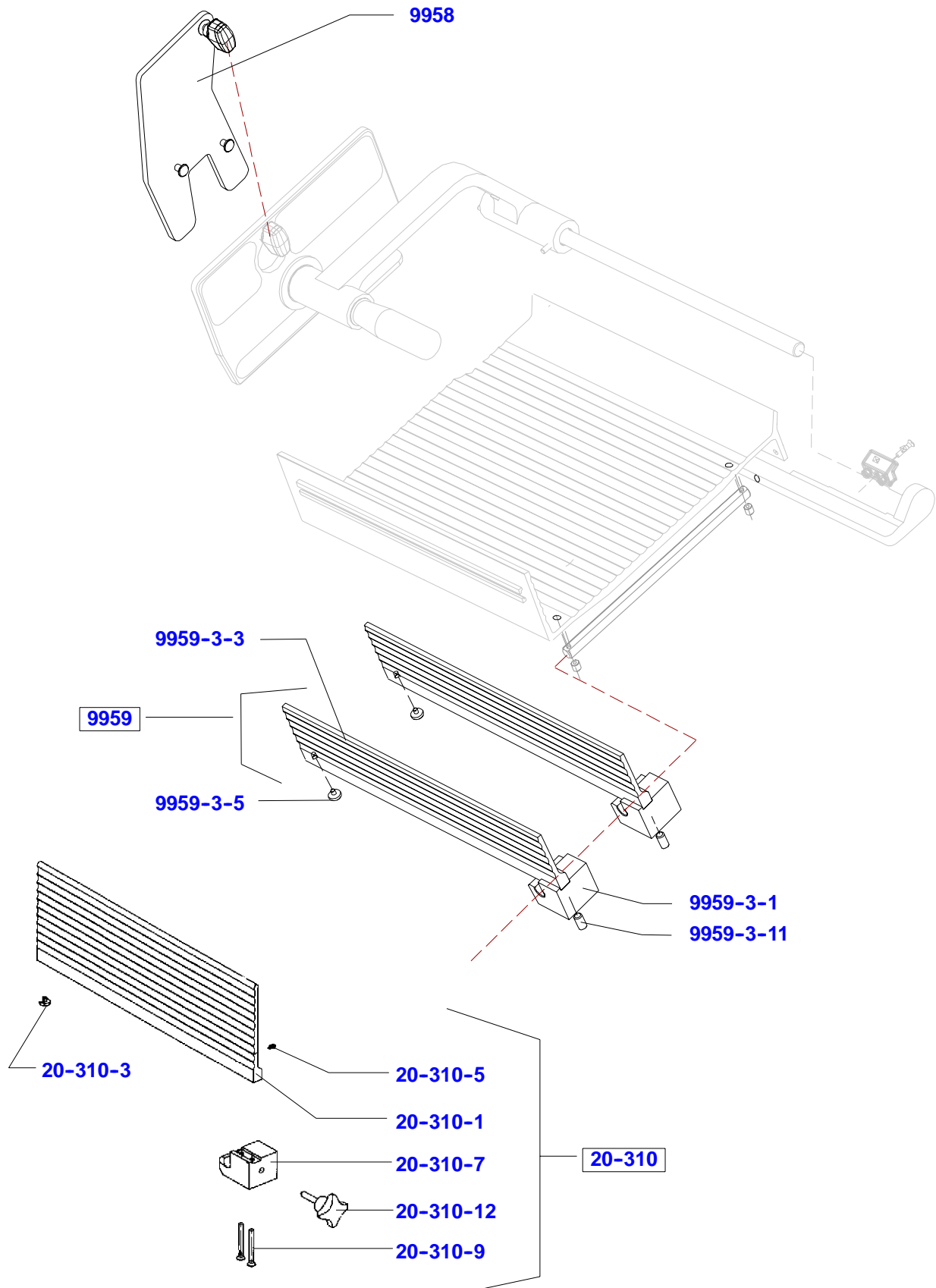


Carriage 25H (25 inclination)

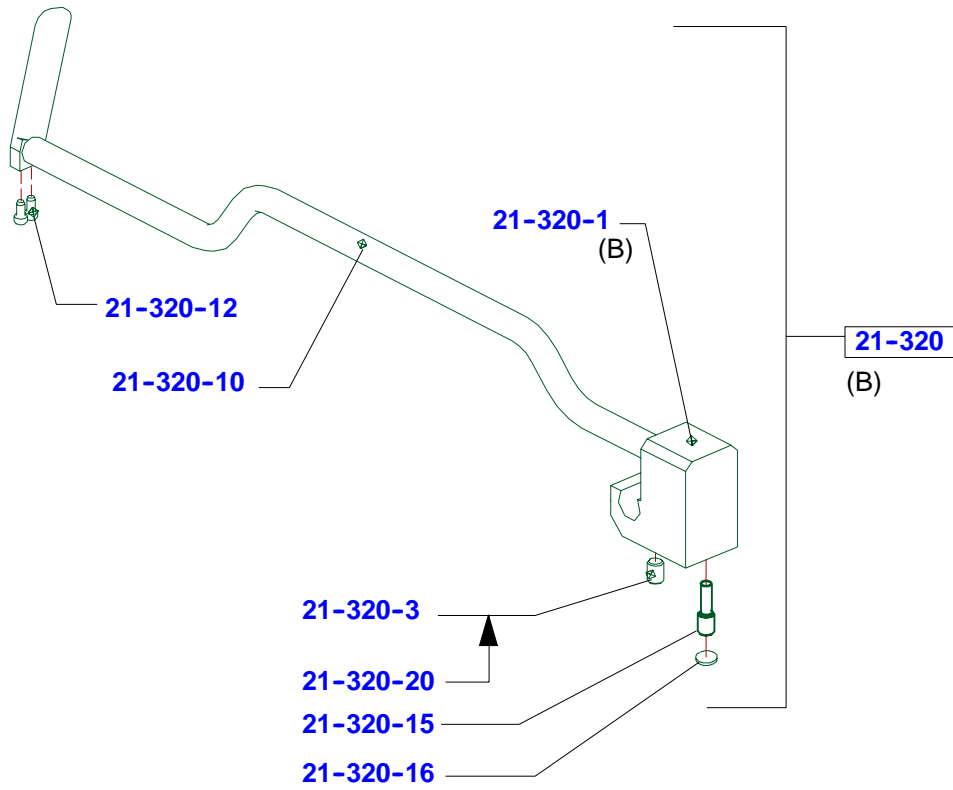


4

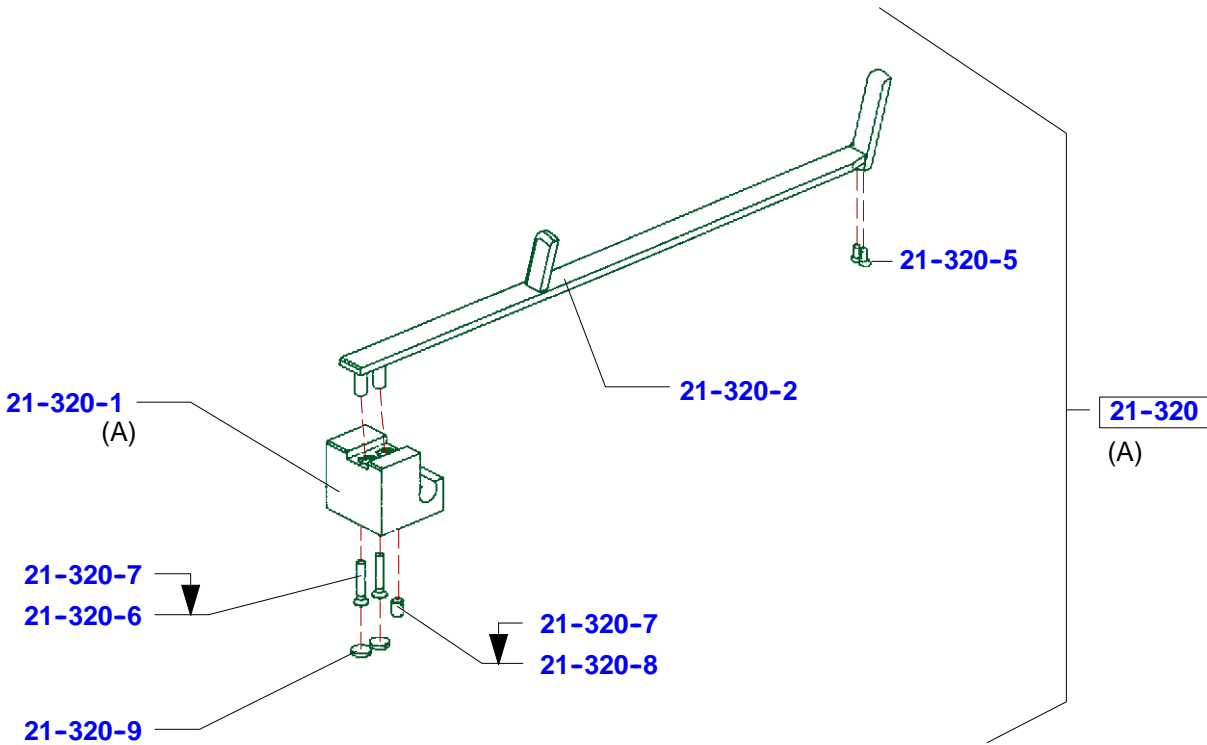
Ruler, product fixation



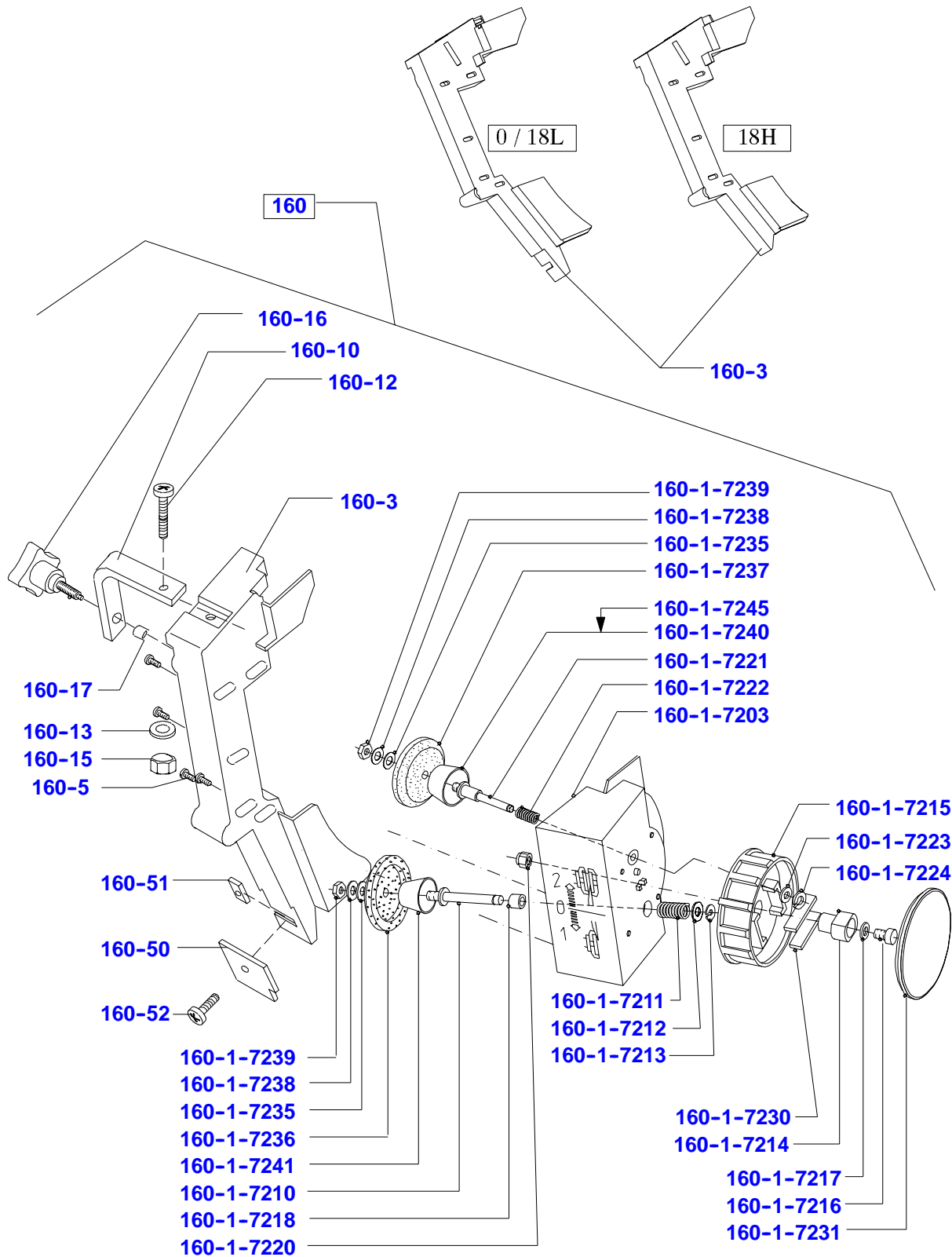
Ruler, product fixation



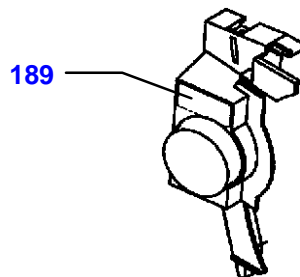
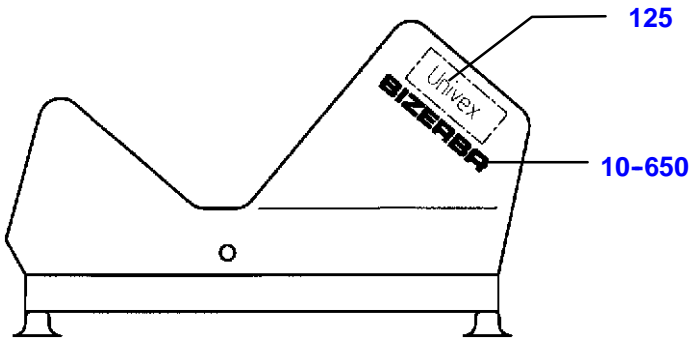
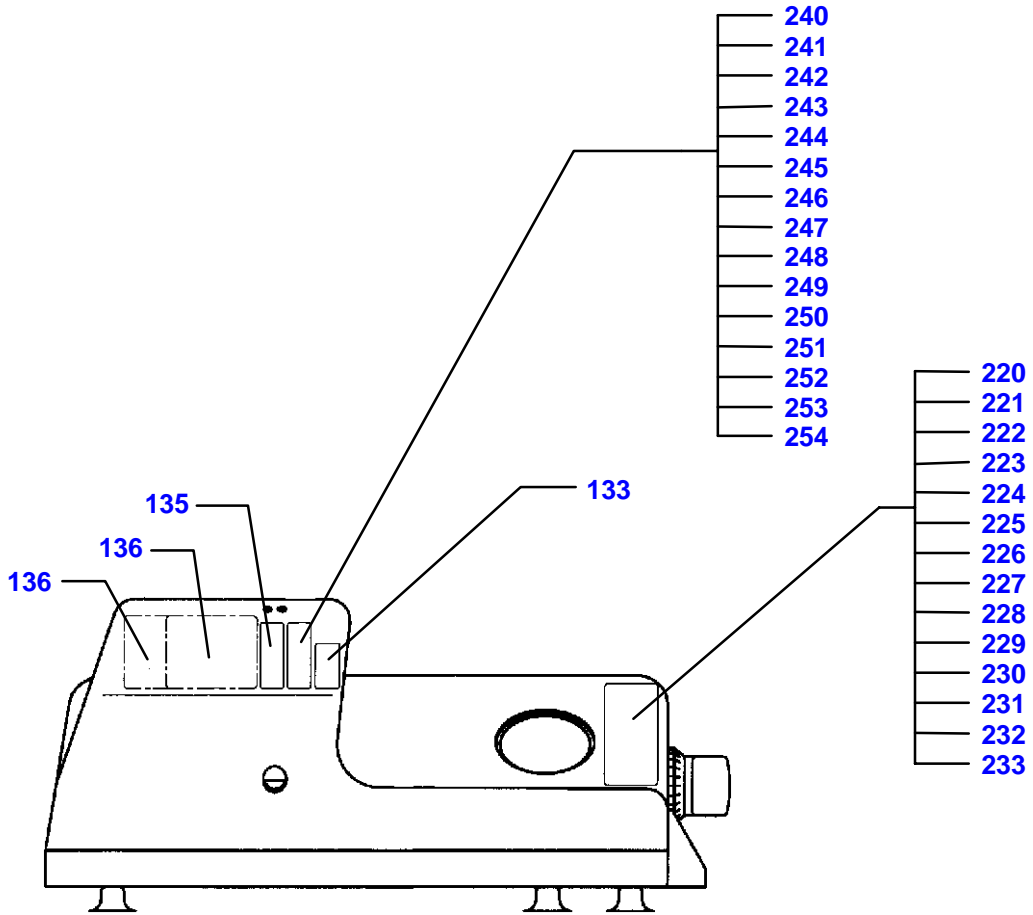
4



Sharpener

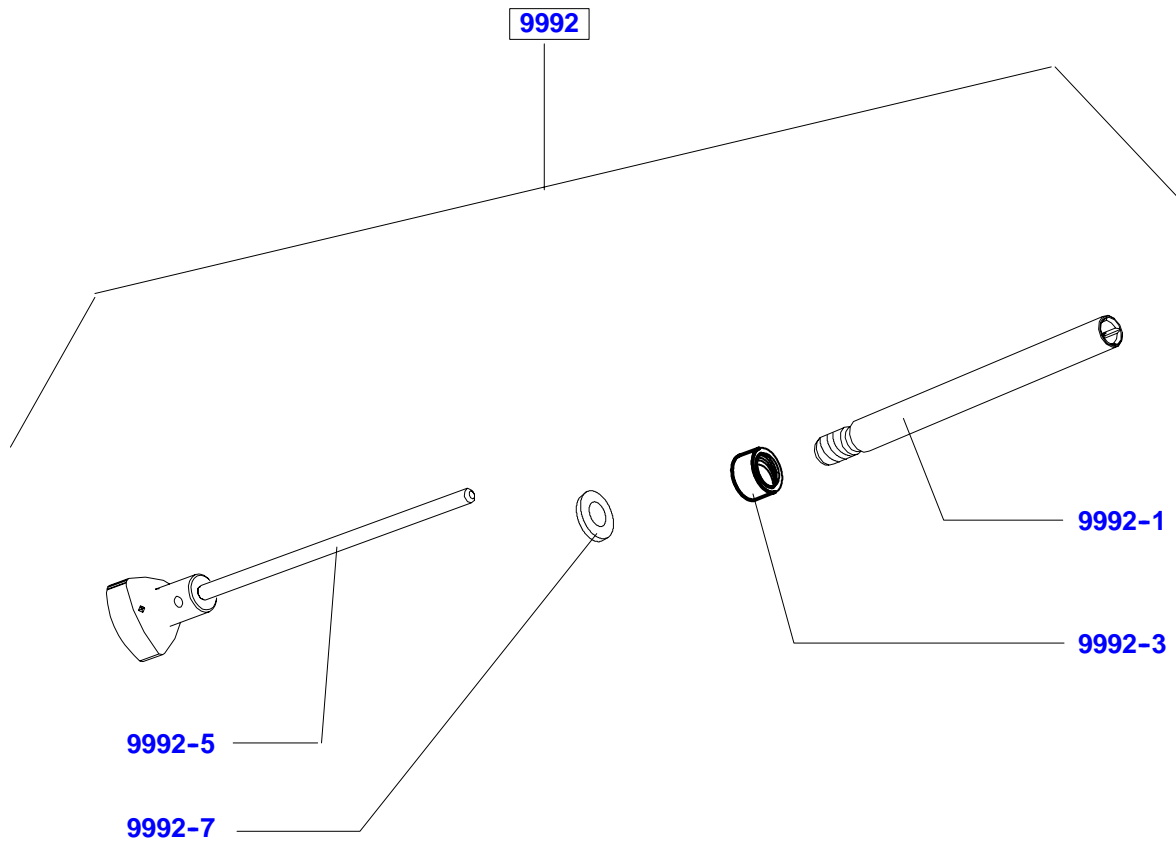


Plates, operating instructions, accessories, repair kit blade shaft



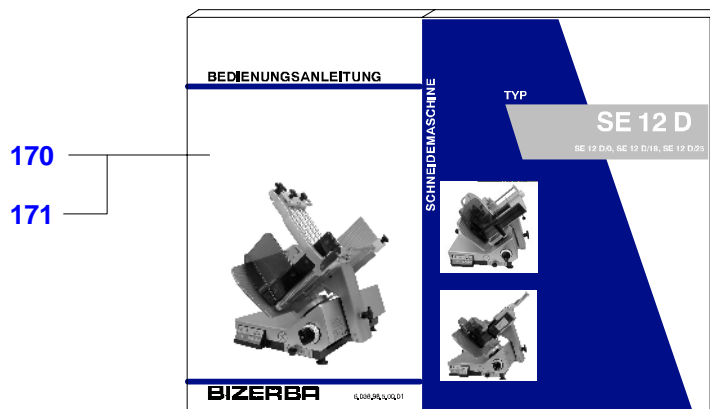
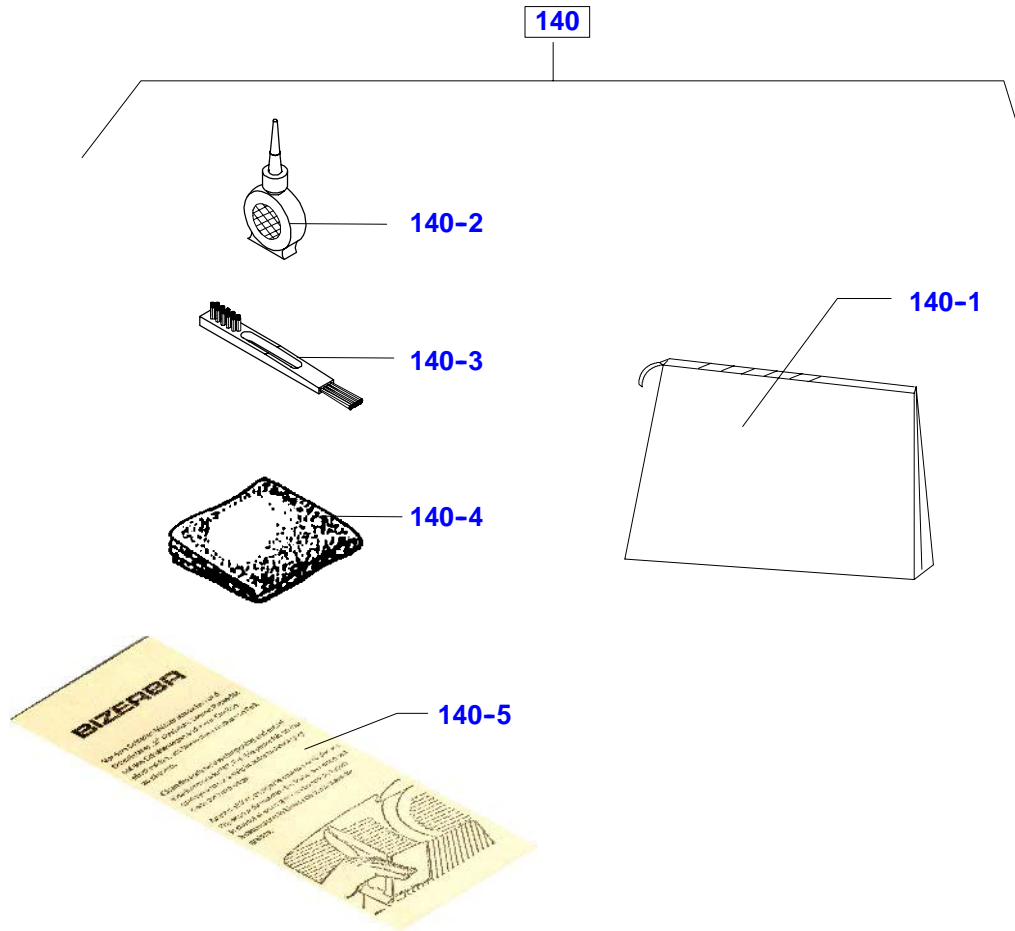
Page of drawing 38	SE 12 D	Spare parts list No. 038.98.3.1006	Series (code No.) 90.092
------------------------------	----------------	--	------------------------------------

Plates, operating instructions, accessories, repair kit blade shaft



4

Plates, operating instructions, accessories, repair kit blade shaft



Page of drawing 40	SE 12 D	Spare parts list No. 038.98.3.1006	Series (code No.) 90.092
------------------------------	----------------	--	------------------------------------

Slicer

SE 12 D

Text content	Text page
Takeup unit, blade bearing	1
Carriage guide, carriage shaft, ribbed V-belt, rotary knob	2
Supporting arm, sensors	5
Housing for electronic, keyboard, CPU, cable	7
Carriage drive, ground plate, foot, deflector	9
Carriage guide, (Siko)	12
Carriage 0 (0 inclination) horizontal	16
Clamping carriage 18L and 18 H (18 inclination), carriage 25H (25 inclination)	18
Power lead, motor, power pack, safety fuses, product support	24
Guard ring 18L/ 18H, gauge plate, plates to be affixed, accessories	26
Sharpener	28
Operating instructions, plates to be affixed, blade, tomato ruler, repair kit blade shaft	29
Last text page	32

SE 12 D

Spare parts list No.
038.98.3.1004

Series (code No.)
90.092

4

Series (code No.) 90.092	Spare parts list No. 038.98.3.1004	SE 12 D		Text page 1
------------------------------------	--	----------------	--	-----------------------

Number in drawing	Order number	Piece	Designation	from status onwards
10-1	60380100204	001	MACHINE HOUSING	003
10-2	60370103000	001	MOUNTING	001
10-3	57442170000	001	COUNTERSUNK SCREW M 6X20	001
10-10	60380103402	001	SUPPORT	003
10-11	57345200000	002	HEXAGON SCREW M 5X20	001
10-12	56735530000	002	WASHER A 5.3	001
10-13	57758500000	002	TOOTHED LOCK WASHER A 5.3	002
10-14	60370103200	001	SEALING	001
10-20	60370103301	001	BLADE BEARING, PREASSEMBLED SE12	001
10-20-1	60370112600	001	HOUSING	001
10-20-2	56362680000	002	GROOVED BALL BEARING 6006 RS1Z	001
10-20-3	60370103900	001	SPACER RING	001
10-20-4	50282370000	002	CUP SPRING 54.5 X40.5X0.45	001
10-20-5	60370103600	001	SECURING RING	001
10-20-6	57451320000	004	COUNTERSUNK SCREW M 4X12T20	001
10-20-7	60370103801	001	BLADE SHAFT	001
10-20-8	50005050000	001	BUSHING 18,2X20X15	001
10-20-9	50003190000	001	W SEALING RING	001
10-20-10	95972950001	000	SCREW SEALING ADHESIVE LOCTITE 243 50ML	001
10-24	57736250000	004	CHEESE-HEAD SCREW M 6X25	001
10-25	57766060000	004	SPRING WASHER A 6	001
10-26	56735640000	004	WASHER A 6.4	001
10-27	60370104200	001	SEALING RING	001
10-28	60370104100	001	BELT PULLEY	001
10-29	60370104300	001	NUT	001
10-31	60370104700	001	SPACER SLEEVE LONG	001
10-32	56764050000	001	WASHER 5.3	001
10-33	57767040000	001	SPRING WASHER A 4	003
10-34	56455400000	001	HEXAGON NUT M 4	001
10-36	60370104800	001	SPACER SLEEVE SHORT	001
10-37	56764050000	001	WASHER 5.3	001
10-38	57767040000	001	SPRING WASHER A 4	003
10-39	57429350000	001	HEXAGON SCREW M 4X35	001
10-40	60370104900	002	SEALING	001
10-47	50828480000	001	PROTECTIVE PLUG 11.12249	003
	60223506301	001	COVER	001
10-59	40111202002	001	LOCKING PIN	001
	60180300028	001	BOLT 8X5	
			FROM CARRIAGE SHAFT 01 ONWARDS	
	60810100700	001	LOCKING PIN	001

Text page 2	SE 12 D	Spare parts list No. 038.98.3.1004	Series (code No.) 90.092
-----------------------	----------------	--	------------------------------------

Number in drawing	Order number	Piece	Designation	from status onwards
X	X	X	X	X
10-60	60380100301	001	CARRIAGE GUIDE COMPL.	001
10-60-1	60380100403	001	CARRIAGE GUIDE PRE-ASSEMBLED	001
10-60-1-1	60380100603	001	CARRIAGE GUIDE	001
10-60-1-2	60370100700	001	ROLLER MOUNTING, PREASSEMBLED	001
10-60-1-2-1	60370100800	001	ROLLER MOUNTING	001
10-60-1-2-2	60370100900	001	BEARING BOLT	001
10-60-1-2-3	40220102500	001	BALL BEARING	001
10-60-1-2-4	57750800000	001	LOCK WASHER 8	001
10-60-1-2-5	50383650000	001	BUFFER WITH PILOT NO.3184	001
10-60-1-2-6	95972890001	000	SCREW SEALING ADHESIVE LOCTITE 243 1LT	001
10-60-1-5	60540271900	001	MAGNET VACODYM370WZ RD.10X4	001
10-60-1-6	95972840001	000	SCREW SEALING ADHESIVE LOCTITE 648 10ML	001
10-60-1-7	57737250000	001	CHEESE-HEAD SCREW M 8X25	001
10-60-1-8	56735840000	001	WASHER A 8.4	001
10-60-1-9	57766080000	001	SPRING WASHER A 8	001
10-60-1-10	60530300066	002	FELT RING 25.5	001
10-60-1-11	60530300067	002	WASHER 26	001
10-60-1-12	50001020000	002	BUSHING 25X28X30	001
10-60-1-16	57432200000	001	HEXAGON SCREW M 8X20	001
10-60-1-21	56980720000	001	PAN HEAD SCREW M 5X 4	001
10-60-1-22	56453290000	001	THREADED INSERT STANDARD M 12X9	001
10-60-1-23	56044800000	001	THREADED PIN M 8X35	001
10-60-1-24	56455800000	001	HEXAGON NUT M 8	001
10-60-1-30	60370112800	001	FELT STRIP	001
10-60-1-31	96055080001	000	LUBRICATING GREASE KLUEBER- SYNTH UH1	001
10-60-1-32	60370102301	001	COVER	001
10-60-1-33	56818430000	002	SELF-TAPPING SCREW CM 4X8 T20	001
10-60-1-40	60380107102	001	CLAMPING LEVER PREASSEMBLED	001
10-60-1-40-1	60380106001	001	CLAMPING LEVER	001
10-60-1-40-2	60380106400	001	SHAFT	001
10-60-1-40-3	57753400000	002	LOCK WASHER 4	001

4

Bitte unbedingt 11-stellige **Bestell-Nr.** angeben • Please always indicate 11 digit **Order No.** • Absolutement nécessaire d'indiquer **No. de commande** (11 chiffres) • Favorisca specificarci sempre il **N. di ordine** a 11 cifre • Es imprescindible que citen el **No. de pedido** (11 guarismos)

Amendment: 03/2006

Series (code No.) 90.092	Spare parts list No. 038.98.3.1004	SE 12 D		Text page 3
------------------------------------	--	----------------	--	-----------------------

Number in drawing	Order number	Piece	Designation	from status onwards
X	X	X	X	X
10-60-1-41	60380105700	002	THREADED ROD (B)	001
	60380107400	002	NECK SCREW (A)	001
10-60-1-42	56739050000	002	WASHER A 5.3	001
10-60-1-43	56400850000	001	LOCK NUT M 5	001
	95972890001	001	SCREW SEALING ADHESIVE LOCTITEE-DAT 05.0	001
10-60-1-44	60380106101	001	LOCKING DEVICE COMPL.	001
10-60-1-45	56980530000	004	PAN HEAD SCREW M 4X 3.2	001
10-60-1-46	95972890001	000	SCREW SEALING ADHESIVE LOCTITE 243 1LT	001
10-60-1-47	60380106600	001	ANGLE PLATE PREASSEMBLED	001
10-60-1-48	56818440000	002	SELF-TAPPING SCREW CM 4X12 T20	001
10-60-1-49	56735430000	002	WASHER A 4.3	001
10-60-1-50	50275070000	001	PRESSURE SPRING D-143-L 0.9X43	001
10-60-1-52	60370102900	001	SHIM	001
10-60-1-53	60370102800	001	STOP	001
10-60-1-54	60370102700	001	TORSION SPRING	001
10-60-1-56	57347160000	002	HEXAGON SCREW M 6X16	001
10-60-1-58	57766060000	002	SPRING WASHER A 6	001
10-60-5	60370102001	001	CARRIAGE SHAFT, PREASSEMBLED	001
10-60-5-1	60370102100	001	CARRIAGE SHAFT (A)	001
	60370102101	001	CARRIAGE SHAFT (B) FROM MACHINE NO. 160 4949 ONWARDS	001
10-60-5-2	60370102600	001	STOP RING	001
10-60-5-5	60370113200	001	LEVER, PREASSEMBLED	001
10-60-5-10	95972950001	000	SCREW SEALING ADHESIVE LOCTITE 243 50ML	001
10-60-6	60370102400	001	SHOCK ABSORBER	001
10-60-7	60370102500	001	SHOCK ABSORBER SLEEVE	001
10-60-8	60370107000	001	BUFFER DISK	001
10-61	50001690000	002	CUP SPRING 21.8 X12.3X0.25 (A)	001
	50275150000	002	PRESSURE SPRING D-180T 1.2 X 7.3 (B) FROM CARRIAGE SHAFT 01 ONWARDS	001
10-62	60370101900	002	SCREW	001
10-64	56777181000	002	WASHER, ANODIZED 18	001
	60370101800	002	COVER DIAMETER 20MM	001

Text page 4	SE 12 D	Spare parts list No. 038.98.3.1004	Series (code No.) 90.092
-----------------------	----------------	--	------------------------------------

Number in drawing	Order number	Piece	Designation	from status onwards
X	X	X	X	X
10-85	50009811000	001	RIBBED V-BELT J10-406	003
10-86	40110000099	002	WASHER 6.5	001
10-87	56764060000	002	WASHER 6.4	001
10-88	57736450000	002	CHEESE-HEAD SCREW M 6X45	001
10-89	57766060000	002	SPRING WASHER A 6	001
10-90	60370107301	001	SPACER PRE-ASSEMB.	001
10-91	60370107501	001	SPACER RING	001
10-92	60370104401	001	BLADE SHAFT	003
10-93	56470870000	001	HEXAGON NUT, FLAT-TYPE BM 16X1.5	001
	60370118200	001	HEXAGON NUT FROM JAN 99 ONWARDS	001
10-94	60370109600	001	BRAKE PULLEY	001
10-95	60220200600	001	WASHER 6.4	001
10-96	57766060000	001	SPRING WASHER A 6	001
10-97	60370109700	001	TIGHTENING NUT	001
10-100	60370107100	001	GUIDE RAIL	001
10-115	60370119000	001	SERIAL CONNECTION ELEMENT COMPL.	003
10-200	60370105601	001	PLASTIC WHEEL	002
10-202	60370105701	001	SPINDLE	002
10-204	56735530000	001	WASHER A 5.3	001
10-208	57747210000	001	CHEESE-HEAD SCREW M 5X12	003
10-210	60370105800	001	WASHER 1MM	001
	60370105801	001	WASHER 2 MM FROM MACH.NO: 173 0626 ONWARDS	003
10-214	00110000095	002	CUP SPRING 29.7X18.3X0.35	003
10-215	57920040000	001	SETTING RING A18 PIN DIN 916	001
10-220	60270101300	001	CHART SEALING RING	001
10-221	57775550000	001	CIRCLIP 55X2	001
10-222	60370119401	001	ROTARY KNOB COMPL.	001
10-222-1	60223501702	001	SCALE	001
10-222-3	60370119501	001	ROTARY KNOB	001
10-222-5	57464230000	002	PLASTIC SCREW WN 1451 K 40X16 T20	001
10-224	56922570000	001	COUNTERSUNK SCREW M 5X25	001

Bitte unbedingt 11-stellige **Bestell-Nr.** angeben • Please always indicate 11 digit **Order No.** • Absolutement nécessaire d'indiquer **No. de commande**
(11 chiffres) • Favorisca specificarci sempre il **N. di ordine** a 11 cifre • Es imprescindible que citen el **No. de pedido** (11 guarismos)

Series (code No.) 90.092	Spare parts list No. 038.98.3.1004	SE 12 D	Text page 5
------------------------------------	--	----------------	-----------------------

Number in drawing	Order number	Piece	Designation	from status onwards
X	X	X	X	X
10-240	60380101701	001	LOAD ARM, PRE-ASSEMBLED	001
10-240-1	60380101601	001	SUPPORTING ARM, PRE-ASSEMBLED	001
10-240-10	57736300000	002	CHEESE-HEAD SCREW M 6X30	001
10-240-12	56400870000	002	LOCK NUT M 6	001
10-240-20	50001190000	002	BUSHING 18X20X15	001
10-240-22	60370111500	001	LEVER, PRE-ASSEMBLED	001
10-240-23	56337160000	001	GROOVED PIN 5X16	001
10-240-24	57347200000	001	HEXAGON SCREW M 6X20	001
	57736200000	001	CHEESE-HEAD SCREW M 6X20	001
10-240-26	57766060000	001	SPRING WASHER A 6	001
10-240-27	56735640000	001	WASHER A 6.4	001
10-240-30	60220110100	002	THREADED PIN	001
10-240-32	56083970000	002	THREADED PIN M 6X 8	001
10-240-40	60370105900	001	SHAFT	
10-240-42	60370110901	001	PRESSURE SPRING	001
10-240-44	57752150000	001	LOCK WASHER 15	001
10-240-50	60370106200	001	SUPPORTING PLATE	001
10-240-52	56818470000	002	SELF-TAPPING SCREW CM 4X16 T20	001
10-240-54	56735430000	002	WASHER A 4.3	001
10-240-56	57766040000	002	SPRING WASHER A 4	001
10-242	56083380000	001	THREADED PIN M 10X50	005
10-244	56444820000	002	HEXAGON NUT, FLAT-TYPE BM 10	005
10-246	57743430000	001	CHEESE-HEAD SCREW M 6X20	005
10-280	60370106100	001	SUPPORTING RAIL	001
10-282	57736200000	002	CHEESE-HEAD SCREW M 6X20	001
10-284	57766060000	002	SPRING WASHER A 6	001
10-290	56805380000	002	OVAL-HEAD SCREW M 3X20	001
10-291	56735320000	002	WASHER A 3.2	001
10-292	57766020000	002	SPRING WASHER A 3	001
10-293	60380101500	001	NUT PLATE	001
10-302	60370110800	002	THREADED PIN	001
10-311	56737100000	002	WASHER A 10.5	
10-312	57766100000	002	SPRING WASHER A10	
10-314	56455810000	002	HEXAGON NUT M 10	001
10-330	60370106300	001	SEALING GAUGE PLATE	001

Text page 6	SE 12 D	Spare parts list No. 038.98.3.1004	Series (code No.) 90.092
-----------------------	----------------	--	------------------------------------

Number in drawing	Order number	Piece	Designation	from status onwards
X	X	X	X	X
10-350	60380102101	001	SENSOR SUPPORT	001
10-351	60380315100	002	NUT PLATE	001
10-352	56805410000	004	OVAL-HEAD SCREW M 4X6	001
10-353	56739040000	004	WASHER A 4.3	001
10-354	60386100601	001	SENSOR COMPL. BASIC POSITION SE12D	001
10-355	60386100702	001	SENSOR COMPL. CUT. SE12D	003
10-360	60370106400	001	ANGLE PLATE	001
10-361	60370106500	001	ANGLE PLATE	001
10-362	57736160000	004	CHEESE-HEAD SCREW M 6X16	005
10-364	57766060000	004	SPRING WASHER A 6	001
10-371	60370106600	001	RAIL	001
10-372	60370106700	002	BUSHING	001
10-374	50998960000	001	TENSION SPRING RZ-100 FX	001
10-396	60370106900	001	SLIDER	001
10-397	57347160000	001	HEXAGON SCREW M 6X16	003
10-398	56735640000	001	WASHER A 6.4	001
10-399	57766060000	001	SPRING WASHER A 6	001
10-425	60380106801	001	SWITCH ANGLE MOUNTED	004
10-425-1	60380106900	001	SWITCH ANGLE	001
10-425-2	60386100900	001	SWITCH S870+L60003L1R034	001
10-425-3	60380101500	001	NUT PLATE	001
10-425-4	56805380000	002	OVAL-HEAD SCREW M 3X20	001
10-425-5	56735320000	002	WASHER A 3.2	001
10-425-6	57766020000	002	SPRING WASHER A 3	001

Series (code No.) 90.092	Spare parts list No. 038.98.3.1004	SE 12 D		Text page 7
------------------------------------	--	----------------	--	-----------------------

Number in drawing	Order number	Piece	Designation	from status onwards
X	X	X	X	X
10-450-1	60380314200	001	ELECTRIC HOUSING	001
	60380315601	001	COVER FROM MACHINE NO.:158 8269 ONWARDS	001
	60380315602	001	COVER - SLICER FROM MACHINE NO.:190 8162 ONWARDS	004
	60380315603	001	COVER	005
	60380315604	001	COVER	005
10-450-2	56008310000	006	THREADED BOLT FH-M 4X20	
10-450-3	60660011801	006	SPACER SLEEVE	001
10-450-5	60666401100	004	THRUST WASHER FK23	001
10-450-6	60276401100	004	DISTANCE WASHER VS7/A UP TO MACHINE NO. 158 8268	001
10-450-7	50003680000	001	O-SEAL OR 20X1.0	001
10-450-8	57758400000	006	TOOTHED LOCK WASHER A 4.3	001
10-450-9	56456400000	006	HEXAGON NUT M 4	001
10-450-10	60385110101	012	LPB DISPLAY - SE12D FROM MACHINE NO. 1908162	004
10-450-15	71010630000	001	SCREW COUPLING ST13.5 UL53015030	001
10-450-16	71161130000	001	NUT M PG13.5	001
10-450-17	71011620000	003	SCREW COUPLING ST11 UL53015020	001
10-450-18	71161110000	003	NUT M PG11	001
10-450-19	71010650000	004	SCREW COUPLING ST7 UL53015000	001
10-450-20	71161070000	004	NUT M PG 7	001
10-450-24	60385100111	001	LPB KEYBOARD/DISPLAY SE12-D	
	60385100121	001	LPB KEYBOARD DISPLAY SE12-D + BLADE SWITCHOFF	
10-450-24-416	71119000000	001	GLOW LAMP 24V 1200110000	
10-450-25	60386400401	001	DECO FOIL SE 12 D (A) UP TO MACHINE NO. 1908161	001
	60386400402	001	DECO FOIL - SE12D NEW TYPE (B) FROM MACHINE NO. 1908162 ONWARDS	004
10-451	60380314500	004	STUD 71,5MM	001
10-452	95972890001	004	SCREW SEALING ADHESIVE LOCTITE 243 1LT	001
10-455	60387010108	001	PROGRAM +LP-B CPU SE12D/DSP UP TO MACHINE NO. 1908161	005
	60387010109	001	PROGRAM +LP-B CPU SE12D/DSP FROM MACHINE NO. 1908162	005
10-455-1	60385010116	001	LPB CPU SE12-D/DSP	005
10-455-1-482	71067270000	004	SPACER 15.9 LPR 8523 N	005

Text page 8	SE 12 D	Spare parts list No. 038.98.3.1004	Series (code No.) 90.092
-----------------------	----------------	--	------------------------------------

Number in drawing	Order number	Piece	Designation	from status onwards
X	X	X	X	X
10-456	60386102100	001	RED RIBBON CABLE	004
10-457	71086790000	001	SERIES TERMINAL 4 POLES 31607104	005
10-460	60386102200	001	STRAND SL L= 300 SE12-D	004
10-465	56818470000	002	SELF-TAPPING SCREW CM 4X16 T20	001
10-466	56735440000	002	WASHER A 4.3	001
10-467	57758400000	004	TOOTHED LOCK WASHER A 4.3	001
10-470	56805460000	004	OVAL-HEAD SCREW M 4X16	001
10-471	56735440000	004	WASHER A 4.3	001
10-472	57766040000	003	SPRING WASHER A 4	001
10-473	57758400000	001	TOOTHED LOCK WASHER A 4.3	001
10-478	60380315400	001	BASE PLATE	001
10-480	56805430000	004	OVAL-HEAD SCREW M 4X10	001
10-481	56735440000	004	WASHER A 4.3	001
10-482	57766040000	004	SPRING WASHER A 4	001
10-520	60386100101	001	CABLE DISPLAY-MAINS BOARD 5P SE 12-D	001
10-521	60386100201	001	CABLE DISPLAY-CPU SE 12-D	001
10-522	60386100301	001	SWITCH S870+L500 03L1R032 FROM MACHINE NO. 2114142	001
	60386101200	001	SWITCH S870+L500 03LXXXXX	002
10-523	60386100401	001	CABLE 4 MAINS BOARD-CPU SE 12-D	001
10-524	60386100501	001	CABLE 5 MAINS BOARD-CPU SE 12-D	001
10-525	60386100800	001	CABLE DISPLAY-MAINS BOARD 2P SE 12-D	001

Series (code No.) 90.092	Spare parts list No. 038.98.3.1004	SE 12 D	Text page 9
------------------------------------	--	----------------	-----------------------

Number in drawing	Order number	Piece	Designation	from status onwards
X	X	X	X	X
10-550	60380300001	001	CARRIAGE DRIVE	001
10-550-2	60380303902	001	SUPPORTER	001
10-550-4	60380307000	001	PEDESTAL 6006 RSZ	001
10-550-5	56362670000	001	GROOVED BALL BEARING 6302 RSZ	001
10-550-6	60380302900	001	WASHER	001
10-550-7	57264250000	003	HEXAGON SCREW M 6X50	
10-550-8	56739060000	003	WASHER A 6.4	001
10-550-9	57767060000	003	SPRING WASHER A 6	001
10-550-11	60380307101	001	SHAFT 6006 RSZ	001
10-550-12	56362680000	001	GROOVED BALL BEARING 6006 RS1Z	001
10-550-15	60380306201	001	BELT PULLEY 2 COMPL. HTD 5M	001
10-550-16	50282370000	001	CUP SPRING 54.5 X40.5X0.45	001
10-550-20	60380302401	001	DISK	001
10-550-21	57451630000	001	COUNTERSUNK SCREW M 6X10	001
10-550-22	95972950001	000	SCREW SEALING ADHESIVE LOCTITE 243 50ML	001
10-550-23	60112000029	001	WASHER 6.2	001
10-550-24	56806640000	001	OVAL-HEAD SCREW M 6X10	001
10-550-25	95972950001	000	SCREW SEALING ADHESIVE LOCTITE 243 50ML	001
10-550-30	60380306401	001	BEARING, COMPL. HTD 5M	001
10-550-30-1	60380303001	001	SHAFT	001
10-550-30-2	56362640000	001	GROOVED BALL BEARING 6002 RSZ	001
10-550-30-3	60380303101	001	SLEEVE	001
10-550-30-4	50001680000	001	CUP SPRING 31.7X20.4X0.3	001
10-550-30-5	60380306700	001	BELT PULLEY 3 COMPL. HTD 5 M	001
10-550-30-7	56362640000	001	GROOVED BALL BEARING 6002 RSZ	001
10-550-30-8	56765060000	001	WASHER 6.4	001
10-550-30-9	56806640000	001	OVAL-HEAD SCREW M 6X10	001
10-550-30-10	95972950001	000	SCREW SEALING ADHESIVE LOCTITE 243 50ML	001
10-550-31	57431160000	004	HEXAGON SCREW M 6X16	001
10-550-32	56765060000	004	WASHER 6.4	001
10-550-33	57767060000	004	SPRING WASHER A 6	001
10-550-49	60380304400	001	CARRIAGE MOTOR COMPL. UP TO MACHINE NO. 172 1158	
	60380304401	001	SE12 D CARRIAGE MOTOR FROM MACHINE NO. 172 1159	001
10-550-56	57743430000	003	CHEESE-HEAD SCREW M 6X20	001
10-550-57	56765060000	003	WASHER 6.4	001
10-550-58	57767060000	003	SPRING WASHER A 6	001
10-550-70	50009531000	001	TOOTHED BELT HTD 550-5M-16	001
10-550-75	50009532000	001	TOOTHED BELT HTD 1050-5M-16	

Text page 10	SE 12 D	Spare parts list No. 038.98.3.1004	Series (code No.) 90.092
------------------------	----------------	--	------------------------------------

Number in drawing	Order number	Piece	Designation	from status onwards
X	X	X	X	X
10-551	60380303501	002	PLATE	001
10-552	57767080000	003	SPRING WASHER A 8	001
10-553	60800105000	001	WASHER 8.2	002
10-554	60380311200	003	STUD	001
10-555	60380312200	002	FOOT PLATE	001
10-556	57736250000	002	CHEESE-HEAD SCREW M 6X25	001
	57736300000	002	CHEESE-HEAD SCREW M 6X30	003
10-557	57766060000	002	SPRING WASHER A 6	001
10-558	56735640000	002	WASHER A 6.4	001
10-565	60380102300	001	FISH PLATE	001
10-566	57343060000	002	HEXAGON SCREW M 4X 6	001
10-575-1	60380315700	001	GROUND PLATE	001
	60380315701	001	GROUND PLATE FROM MACHINE NO. 158 8269 ONWARDS	001
10-575-2	60380312700	001	COUPLING BAR PREASSEMBLED	001
10-575-3	60380313000	003	FISH PLATE	001
10-575-4	60380313100	001	SWITCH ROD	001
10-575-5	60380313200	004	GUIDE RING	001
10-575-8	56356100000	001	PARALLEL NOTCHED PIN 4 X10	001
10-575-9	56087121000	001	MUSHROOM-SHAPED HANDLE ELES A GN77-35-M8	001
10-575-10	96055070001	000	LUBRICATING GREASE PARALIQ GA 343	001
10-575-13	57343120000	001	HEXAGON SCREW M 4X12	001
10-575-14	56400840000	001	LOCK NUT M 4	001
10-577	56805430000	001	OVAL-HEAD SCREW M 4X10	
10-580	56187990000	002	PARALLEL PIN 6M6 X 16	
10-581	60380311500	002	DISTANCE COLLAR 34.8 MM	001
	60380311501	002	DISTANCE COLLAR 54.8 MM	001
10-582	60610000124	004	RUBBER FOOT	001
10-583	57743510000	002	CHEESE-HEAD SCREW M 6X60	001
10-584	57743530000	002	CHEESE-HEAD SCREW M 6X90	001
10-586	56806700000	001	OVAL-HEAD SCREW M 6X25	001
10-587	56806650000	002	OVAL-HEAD SCREW M 6X12	001
10-589	60140000601	003	WASHER 10.9X2	
10-590	60380313700	001	AIR SHAFT	001
10-591	56765040000	004	WASHER 4.3	001
10-592	57465080000	004	PLASTIC SCREW WN 1452 K 40X12 T20	005
10-595	56806430000	003	OVAL-HEAD SCREW M 4X10	001
10-600	57630620000	004	COUNTERSUNK SCREW M 6X12	001

Bitte unbedingt 11-stellige **Bestell-Nr.** angeben • Please always indicate 11 digit **Order No.** • Absolutement nécessaire d'indiquer **No. de commande**
(11 chiffres) • Favorisca specificarci sempre il **N. di ordine** a 11 cifre • Es imprescindible que citen el **No. de pedido** (11 guarismos)

Series (code No.) 90.092	Spare parts list No. 038.98.3.1004	SE 12 D	Text page 11
------------------------------------	--	----------------	------------------------

Number in drawing	Order number	Piece	Designation	from status onwards
X	X	X	X	X
10-605	60370116900	001	BLADE COVER, PREASSEMBLED	001
10-605-2	60270108300	001	SQUARE BOLT	001
10-605-3	95972840001	000	SCREW SEALING ADHESIVE LOCTITE 648 10ML	001
10-605-4	57630530000	002	COUNTERSUNK SCREW M 5X12	001
10-605-5	60800108400	001	BRACKET HANDLE 100XM5	001
10-605-6	95972950001	000	SCREW SEALING ADHESIVE LOCTITE 243 50ML	001
10-606	60370112501	001	THREE-SQUARE KNOB, PREASSEMBLED	001
10-609	60380104002	001	DEFLECTOR PREASSEMBLE	001
10-609-1	60380104101	001	DEFLECTOR	
10-609-5	60540102400	000	ADJUSTING BOLT	
10-609-7	50003040000	001	DECORATIVE PIN MESSRS. INDEN NO4115 WHITE	
10-609-10	60380104400	001	BOLT	
10-609-15	60380104301	000	JOINT RIGHT-HAND	001
10-609-16	56359320000	001	PARALLEL NOTCHED PIN 3 X16	
10-609-20	60380104900	001	JOINT, LEFT-HAND	
10-609-21	60380105101	001	SET SCREW	001
10-609-22	50001560000	001	CUP SPRING B 16X8.2X0.6	
10-611	00120001105	001	WASHER 6.5	001
10-612	57747210000	001	CHEESE-HEAD SCREW M 5X12	003
10-613	57766050000	001	SPRING WASHER A 5	001
10-614	50828480000	001	PROTECTIVE PLUG 11.12249	003
10-620	60370108700	001	SHAFT	001
10-621	56083980000	001	THREADED PIN M 6X12	001
10-622	60370108900	001	LOCKING SLIDER, COMPL.	001
10-622-5	60370116100	003	SHRINK SLEEVE	001
10-623	60370110700	001	BEARING BOLT	001
10-624	60800105000	001	WASHER 8.2	002
10-625	57750600000	001	LOCK WASHER 6	001
10-649	60384800500	001	PLATE TYPE OF DRIVE	001
10-650	60800116900	001	BIZERBA STROKE	002
10-653	51977200000	001	WARNING PLATE WITH DANGER ARROW WS1-50K	001

Text page 12	SE 12 D	Spare parts list No. 038.98.3.1004	Series (code No.) 90.092
------------------------	----------------	--	------------------------------------

Number in drawing	Order number	Piece	Designation	from status onwards
X	X	X	X	X
11-1	60380100204	001	MACHINE HOUSING	005
11-59	60180300028	001	BOLT 8X5 FROM CARRIAGE SHAFT 01 ONWARDS	005
11-60	60384100300	001	CARRIAGE GUIDE COMPL. COMPL.	006
11-60-1	60384100400	001	CARRIAGE GUIDE PRE-ASSEMBLED	006
11-60-1-1	60384100600	001	CARRIAGE GUIDE	006
11-60-1-2	60370100700	001	ROLLER MOUNTING, PREASSEMBLED	005
11-60-1-2-6	95972890001	000	SCREW SEALING ADHESIVE LOCTITE 243 1LT	005
11-60-1-7	57737250000	001	CHEESE-HEAD SCREW M 8X25	005
11-60-1-8	56735840000	001	WASHER A 8.4	005
11-60-1-9	57766080000	001	SPRING WASHER A 8	005
11-60-1-10	60530300066	002	FELT RING 25.5	005
11-60-1-11	60530300067	002	WASHER 26	005
11-60-1-12	50001020000	002	BUSHING 25X28X30	005
11-60-1-16	57432200000	001	HEXAGON SCREW M 8X20	005
11-60-1-17	95972990001	000	SCREW SEALING ADHESIVE LOCTITE 290 50ML	005
11-60-1-21	56980720000	001	PAN HEAD SCREW M 5X 4	005
11-60-1-22	56453290000	001	THREADED INSERT STANDARD M 12X9	005
11-60-1-23	56044800000	001	THREADED PIN M 8X35	005
11-60-1-24	56455800000	001	HEXAGON NUT M 8	005
11-60-1-28	95972950001	000	SCREW SEALING ADHESIVE LOCTITE 243 50ML	005
11-60-1-30	60370112800	001	FELT STRIP	005
11-60-1-31	96055080001	000	LUBRICATING GREASE KLUEBER- SYNTH UH1	005
11-60-1-32	60370102301	001	COVER	005
11-60-1-33	56818430000	002	SELF-TAPPING SCREW CM 4X8 T20	005
11-60-1-35	60384108400	001	SENSOR TAKE-UP UNIT	006
11-60-1-36	56735640000	001	WASHER A 6.4	006
11-60-1-37	57766060000	001	SPRING WASHER A 6	006
11-60-1-38	57736250000	001	CHEESE-HEAD SCREW M 6X25	006
11-60-1-40	60380107102	001	CLAMPING LEVER PREASSEMBLED	005
11-60-1-40-1	60380107200	001	CLAMPING LEVER	005
11-60-1-40-2	60380106400	001	SHAFT	005
11-60-1-40-3	57753400000	002	LOCK WASHER 4	005
11-60-1-41	60380105700	002	THREADED ROD	005
11-60-1-42	56739050000	002	WASHER A 5.3	005
11-60-1-43	56400850000	002	LOCK NUT M 5	005
	95972890001	002	SCREW SEALING ADHESIVE LOCTITE 243 1LT	005
11-60-1-44	60380106101	001	LOCKING DEVICE COMPL.	005
11-60-1-44-2	00110101004	001	BALL BEARING M. 607-2RS	005
11-60-1-44-3	57753600000	001	LOCK WASHER 6	005
11-60-1-44-4	40110100006	001	STOP BOLT	005

Bitte unbedingt 11-stellige **Bestell-Nr.** angeben • Please always indicate 11 digit **Order No.** • Absolutement nécessaire d'indiquer **No. de commande** (11 chiffres) • Favorisca specificarci sempre il **N. di ordine** a 11 cifre • Es imprescindible que citen el **No. de pedido** (11 guarismos)

Series (code No.) 90.092	Spare parts list No. 038.98.3.1004	SE 12 D	Text page 13
------------------------------------	--	----------------	------------------------

Number in drawing	Order number	Piece	Designation	from status onwards
X	X	X	X	X
11-60-1-45	56980530000	002	PAN HEAD SCREW M 4X 3.2	005
11-60-1-46	95972850001	000	SCREW SEALING ADHESIVE LOCTITE 242 10ML	005
	95972890001	000	SCREW SEALING ADHESIVE LOCTITE 243 1LT	005
11-60-1-47	60384106600	001	ANGLE PRE-ASSEMBLED	006
11-60-1-48	57451290000	002	COUNTERSUNK SCREW M 4X10T20	006
11-60-1-50	50275070000	001	PRESSURE SPRING D-143-L 0.9X43	005
11-60-1-51	96055080001	000	LUBRICATING GREASE KLUEBER- SYNTH UH1	005
11-60-1-52	60370102900	001	SHIM	005
11-60-1-53	60370102800	001	STOP	005
11-60-1-54	60370102700	001	TORSION SPRING	005
11-60-1-56	57347160000	002	HEXAGON SCREW M 6X16	005
11-60-1-58	57766060000	002	SPRING WASHER A 6	005
11-60-1-60	60386111100	001	TRAILING CABLE SENS.SIKO SE12D 120V	006
11-60-1-60-1	71070190000	001	CHAIN FLEX CABLE CF2 CF2.01.12	006
11-60-1-60-3	71228760000	001	ENERG. CHAIN 08 08100380	006
11-60-1-60-5	71228770000	001	CONNECTING ELEMENT 08 0801012PZ	006
11-60-1-60-9	71011620000	001	SCREW COUPLING ST11 UL53015020	006
11-60-1-60-13	71400420000	001	STOP BRACKET 926477-1	006
11-60-1-60-15	71232910000	000	SHRINK SLEEVE SIZE 95	006
11-60-1-60-17	71232900000	000	SHRINK SLEEVE SIZE 32	006
11-60-1-60-19	71400440000	013	CONTACT BUSHING 1 POLE 2-167301-4	006
11-60-1-60-21	71400470000	001	ENCODING PIN 926519-2	006
11-60-1-66	57429300000	002	HEXAGON SCREW M 4X30	006
11-60-1-67	95972950001	000	SCREW SEALING ADHESIVE LOCTITE 243 50ML	006
11-60-1-68	57451090000	002	COUNTERSUNK SCREW M 3X 8T10	006
11-60-1-70	95972890001	000	SCREW SEALING ADHESIVE LOCTITE 243 1LT	006
11-60-1-72	71004310000	002	CABLE TIE T 18 R	006
11-60-5	60370102001	001	CARRIAGE SHAFT, PREASSEMBLED	005
11-60-6	60370102400	001	SHOCK ABSORBER	005
11-60-7	60370102500	001	SHOCK ABSORBER SLEEVE	005
11-60-8	60370107000	001	BUFFER DISK	005
11-61	50275150000	001	PRESSURE SPRING D-180T 1.2 X 7.3 FROM CARRIAGE SHAFT 01 ONWARDS	005
11-100	60384107100	001	GUIDE RAIL	006

Text page 14	SE 12 D	Spare parts list No. 038.98.3.1004	Series (code No.) 90.092
------------------------	----------------	--	------------------------------------

Number in drawing	Order number	Piece	Designation	from status onwards
X	X	X	X	X
11-320	60384112300	001	FOOT PLATE WITH SLOT	006
11-321	57440340000	001	COUNTERSUNK SCREW M 6X16	006
11-322	56735640000	001	WASHER A 6.4	006
11-323	57766060000	001	SPRING WASHER A 6	006
11-324	57736300000	001	CHEESE-HEAD SCREW M 6X30	006
11-326	60384108500	001	HOLDER	006
11-327	56735640000	001	WASHER A 6.4	006
11-328	57766060000	001	SPRING WASHER A 6	006
11-329	57736250000	001	CHEESE-HEAD SCREW M 6X25	006
11-331	60384108601	001	CONVEYOR SUPPORTING UNIT PRE-ASSEMB.	006
11-331-1	60384108701	001	CONVEYOR SUPPORTING UNIT	
11-332	56735640000	001	WASHER A 6.4	006
11-333	57766060000	001	SPRING WASHER A 6	006
11-334	57347200000	001	HEXAGON SCREW M 6X20	006
	57431250000	001	HEXAGON SCREW M 6X25	006
11-335	60384109200	001	SPACER RING	006
11-338	60384106800	001	SWITCH ANGLE MOUNTED	006
11-338-1	60384106900	001	SWITCH ANGLE	006
11-338-2	60386100900	001	SWITCH S870+L60003L1R034	006
11-338-3	60380101500	001	NUT PLATE	006
11-338-4	56805380000	002	OVAL-HEAD SCREW M 3X20	006
11-338-5	56735320000	002	WASHER A 3.2	006
11-338-6	57766020000	002	SPRING WASHER A 3	006
11-339	56735430000	001	WASHER A 4.3	006
11-340	57766040000	001	SPRING WASHER A 4	006
11-341	56818440000	001	SELF-TAPPING SCREW CM 4X12 T20	006
11-342	57450600000	001	COUNTERSUNK SCREW M 6X50	006
11-343	60384109101	001	THREADED SLEEVE	006
11-344	56735640000	002	WASHER A 6.4	006
11-345	57766060000	001	SPRING WASHER A 6	006
11-346	56455600000	002	HEXAGON NUT M 6	006
11-347	60384109000	001	BASE PLATE	006
11-348	71169060000	001	NYLON CLIPS HP-6N	006
11-349	56735430000	001	WASHER A 4.3	006
11-350	56818440000	002	SELF-TAPPING SCREW CM 4X12 T20	006
11-351	56818430000	001	SELF-TAPPING SCREW CM 4X8 T20	006
11-353	57451090000	002	COUNTERSUNK SCREW M 3X 8T10	006
11-354	95972890001	000	SCREW SEALING ADHESIVE LOCTITE 243 1LT	006
11-357	60384102100	001	SENSOR SUPPORT	006

Bitte unbedingt 11-stellige **Bestell-Nr.** angeben • Please always indicate 11 digit **Order No.** • Absolutement nécessaire d'indiquer **No. de commande**
(11 chiffres) • Favorisca specificarci sempre il **N. di ordine** a 11 cifre • Es imprescindible que citen el **No. de pedido** (11 guarismos)

Series (code No.) 90.092	Spare parts list No. 038.98.3.1004	SE 12 D	Text page 15
------------------------------------	--	----------------	------------------------

Number in drawing	Order number	Piece	Designation	from status onwards
X	X	X	X	X
11-450	60380324106	001	COVER PRE-ASSEMBLED	005
11-450-1	60380315602	001	COVER - SLICER	005
	60380315603	001	FROM MACHINE NO. 190 8162 ONWARDS	005
	60380315604	001	COVER	005
11-450-3	71027230000	001	COVER	005
11-450-6	71027210000	001	MAINS KEY ON	005
11-450-8	60386102000	004	MAINS KEY OFF	005
11-450-10	60385111102	001	CPU ON/OFF CABLE SE12D	005
			LPB KEYB.DISPL. UL	005
			120 VOLT UL	
11-450-12	57465130000	006	PLASTIC SCREW WN 1452 K 40X8 T20	005
11-450-14	71010820000	001	SCREW COUPLING ST-M16 UL53111010	005
	71011470000	001	SCREW COUPLING ST9 53015010	005
11-450-15	71010630000	001	SCREW COUPLING ST13.5 UL53015030	005
11-450-16	71161130000	002	SCREW COUPLING ST11 UL53015020	005
11-450-17	71011620000	001	NUT M PG13.5	005
11-450-18	71161110000	002	SCREW COUPLING ST7 UL53015000	005
11-450-19	71010650000	002	NUT M PG11	005
11-450-20	71161070000	003	SCREW COUPLING ST7 UL53015000	005
11-450-21	71066070000	001	NUT M PG 7	005
11-450-22	71161090000	001	LOCKING N PG 7	005
	71161230000	001	NUT M PG 9	005
11-450-25	60386400402	001	NUT GM-GL-M16 E-DAT 23.0	005
			DECO FOIL - SE12D NEW TYPE	005
11-455	60387010109	001	PROGRAM +LP-B CPU SE12D/DSP	005
	60387030101	001	PROGRAM +LP-B SIKO SE12D/120V	006
11-455-1	60385010116	001	LPB CPU SE12-D/DSP	005
11-470	60380316700	002	STUD	005
			65MM	
11-473	60380317100	002	FIXING BOLT	005
			25MM	
11-550	60384130000	001	CARRIAGE DRIVE SE12D-SIKO	006
11-550-49	60384104400	000	CARIAGE MOTOR SIKO COMPL.	006
11-555	60384112200	002	FOOT PLATE	006
11-556	57736250000	002	CHEESE-HEAD SCREW M 6X25	005
	57736300000	002	CHEESE-HEAD SCREW M 6X30	005
11-557	57766060000	002	SPRING WASHER A 6	005
11-558	56735640000	002	WASHER A 6.4	005

Text page 16	SE 12 D	Spare parts list No. 038.98.3.1004	Series (code No.) 90.092
------------------------	----------------	--	------------------------------------

Number in drawing	Order number	Piece	Designation	from status onwards
X	X	X	X	X
20	60380200001	001	CARRIAGE HORIZONTAL BW	005
20-1	60370200201	001	CARRIAGE FOOT 0 DEGREE	001
20-5	60800204600	001	STAR KNOB WITH BOLT	001
20-41	56768100000	001	WASHER A 13	001
20-42	57753800000	001	LOCK WASHER 8	001
20-50	60380200401	001	CARRIAGE PLATE 0 DEGREE	001
20-51	57440490000	002	COUNTERSUNK SCREW M 8X60	001
20-52	57440460000	001	COUNTERSUNK SCREW M 8X25	001
20-53	56765070000	001	WASHER 8.4	001
20-54	57767080000	001	SPRING WASHER A 8	001
20-56	56456800000	001	HEXAGON NUT M 8	001
20-57	60370200400	001	THREADED ROD	001
20-58	95972840001	001	SCREW SEALING ADHESIVE LOCTITE 648 10ML	001
20-59	40220000201	003	PROTECTIVE PLUG 12.2 KNURLED	001
20-60	60380201500	001	GUIDE RAIL	001
20-62	57630620000	002	COUNTERSUNK SCREW M 6X12	001
20-63	95972950001	000	SCREW SEALING ADHESIVE LOCTITE 243 50ML	001
20-100	60380202200	001	BEARING PEDESTAL TOP	001
20-102	60380202000	001	BOLT	001
20-104	95972840001	000	SCREW SEALING ADHESIVE LOCTITE 648 10ML	001
20-106	57630640000	001	COUNTERSUNK SCREW M 6X20	001
20-108	95972950001	001	SCREW SEALING ADHESIVE LOCTITE 243 50ML	001
20-110	60270200500	002	SHOCK ABSORBER	001
20-112	60380202600	001	GUIDING SHAFT	001
20-114	60380201102	001	GUIDE PRE-ASSEMBL.	005
20-114-2	60380201002	001	GUIDE	005
20-114-4	50005060000	002	BUSHING 12X14X15	001
20-114-6	56336120000	001	GROOVED PIN 4 X12	001
20-114-8	56170200000	001	PARALLEL PIN 6M6X20	005

4

Bitte unbedingt 11-stellige **Bestell-Nr.** angeben • Please always indicate 11 digit **Order No.** • Absolutement nécessaire d'indiquer **No. de commande**
(11 chiffres) • Favorisca specificarci sempre il **N. di ordine** a 11 cifre • Es imprescindible que citen el **No. de pedido** (11 guarismos)

Amendment: 03/2006

Series (code No.) 90.092	Spare parts list No. 038.98.3.1004	SE 12 D	Text page 17
------------------------------------	--	----------------	------------------------

Number in drawing	Order number	Piece	Designation	from status onwards
X	X	X	X	X
20-116	60380202900	001	LOCKING LEVER	001
20-118	56765040000	001	WASHER 4.3	001
20-120	56972500000	001	OVAL-HEAD SCREW M 4X12	001
20-122	95972840001	001	SCREW SEALING ADHESIVE LOCTITE 648 10ML	
20-124	60380203200	002	THREADED PIN	
20-126	95972950001	001	SCREW SEALING ADHESIVE LOCTITE 243 50ML	
20-128	60270200500	003	SHOCK ABSORBER	001
20-130	50001510000	001	CUP SPRING 11 X 6.2X0.3	001
20-132	60380202300	001	BEARING PEDESTAL BOTTOM	001
20-134	57630640000	001	COUNTERSUNK SCREW M 6X20	001
20-136	95972950001	001	SCREW SEALING ADHESIVE LOCTITE 243 50ML	
20-150	60353602702	001	BACKWARD COVER	001
20-151	60353602800	001	ADHESIVE FOIL	001
20-152	56739040000	002	WASHER A 4.3	001
20-153	57767040000	004	SPRING WASHER A 4	001
20-154	56456400000	004	HEXAGON NUT M 4	001
20-160	60260208900	001	SHIELD COMPL.	001
20-161	60370402200	002	PROTECTIVE PLUG	001
20-180	60380205702	001	PRODUCT HOLDER COMPL.	005
20-180-1	60380205602	001	GUIDE SOLDERED	001
20-180-3	56087080000	001	STAR KNOB K 50 M 8	001
20-180-5	57432400000	001	HEXAGON SCREW M 8X40	001
20-180-7	95972840001	000	SCREW SEALING ADHESIVE LOCTITE 648 10ML	001
20-180-9	60380204200	002	REMNANT HOLDER	001
20-180-11	60380205900	002	GUIDE	001
20-180-12	60380206000	002	GUIDE	001
20-180-13	62450410003	008	SPACER NUT ROUND M 4X20	001
20-180-15	56972500000	016	OVAL-HEAD SCREW M 4X12	001
20-180-16	95972950001	000	SCREW SEALING ADHESIVE LOCTITE 243 50ML	001
20-180-17	56972800000	002	OVAL-HEAD SCREW M 6X40	001
20-180-18	56456600000	002	HEXAGON NUT M 6	
20-180-19	56087030000	002	STAR KNOB K 40 M 6	001
20-180-20	56765060000	002	WASHER 6.4	001
20-180-21	95972840001	000	SCREW SEALING ADHESIVE LOCTITE 648 10ML	001
20-300	56008200000	002	THREADED BOLT FHS-M 4X12	001
20-302	60274600400	002	ROUND NUT	001
20-304	60380201800	001	GUIDE BAR	001
20-305	60380200600	001	RULER	001
20-306	60380205800	001	SLIDE PIN	001
20-307	56269330000	001	ROUND-HEADED NOTCHED NAIL 3X6	001
20-308	60380201700	001	SLIDER	001
20-309	57451590000	002	COUNTERSUNK SCREW M 5X40	001
20-310	60380200700	001	RULER PRE-ASSEMBLED	
20-310-1	60380200600	001	RULER	
20-310-3	60380205800	001	SLIDE PIN	
20-310-5	56269330000	001	ROUND-HEADED NOTCHED NAIL 3X6	
20-310-7	60380201700	001	SLIDER	
20-310-9	57451590000	002	COUNTERSUNK SCREW M 5X40	
20-310-12	60380201300	001	STAR KNOB COMPL.	
20-312	60380201300	001	STAR KNOB COMPL.	001

Text page 18	SE 12 D	Spare parts list No. 038.98.3.1004	Series (code No.) 90.092
------------------------	----------------	--	------------------------------------

Number in drawing	Order number	Piece	Designation	from status onwards
X	X	X	X	X
21	60380400001	001	CLAMPING CARRIAGE CEN 18L	001
	60380800000	001	CLAMPING CARRIAGE 18H	001
	60381800001	001	CARRIAGE 25 H	002
21-1	60370300201	001	CARRIAGE FOOT 18L	001
	60370500201	001	CARRIAGE FOOT25H	002
	60380800201	001	FOOT 18H	001
21-4	56768100000	001	WASHER A 13	002
21-5	60800204600	001	STAR KNOB WITH BOLT	001
21-7	57753800000	001	LOCK WASHER 8	002
21-20	60381800201	001	CARRIAGE PLATE PRE-ASSEMBLED 25H	002
21-21	57440490000	001	COUNTERSUNK SCREW M 8X60	002
21-22	95972950001	000	SCREW SEALING ADHESIVE LOCTITE 243 50ML	002
21-23	57440460000	001	COUNTERSUNK SCREW M 8X25	002
21-24	95972950001	000	SCREW SEALING ADHESIVE LOCTITE 243 50ML	002
21-25	60370500400	001	THREADED ROD 25H	002
21-26	95972840001	000	SCREW SEALING ADHESIVE LOCTITE 648 10ML	002
21-27	57440470000	001	COUNTERSUNK SCREW M 8X40	002
21-28	95972950001	000	SCREW SEALING ADHESIVE LOCTITE 243 50ML	002
21-29	57440481000	001	COUNTERSUNK SCREW M 8X50	002
21-35	56765070000	001	WASHER 8.4	002
21-36	57767080000	001	SPRING WASHER A 8	002
21-37	56456800000	001	HEXAGON NUT M 8	002
21-40	40220000201	001	PROTECTIVE PLUG 12.2 KNURLED	002
21-41	56768100000	001	WASHER A 13	001
21-42	57753800000	001	LOCK WASHER 8	001
21-46	95972840001	001	SCREW SEALING ADHESIVE LOCTITE 648 10ML	
21-50	60380400201	001	CARRIAGE PLATE	001
	60380803601	001	CARRIAGE PLATE, PREASSEMBLED 18H	001
21-51	57440490000	002	COUNTERSUNK SCREW M 8X60	001
21-52	57440460000	001	COUNTERSUNK SCREW M 8X25	001
21-53	56765070000	001	WASHER 8.4	001
21-54	57767080000	001	SPRING WASHER A 8	001
21-56	56456800000	001	HEXAGON NUT M 8	001

4

Bitte unbedingt 11-stellige **Bestell-Nr.** angeben • Please always indicate 11 digit **Order No.** • Absolutement nécessaire d'indiquer **No. de commande** (11 chiffres) • Favorisca specificarci sempre il **N. di ordine** a 11 cifre • Es imprescindible que citen el **No. de pedido** (11 guarismos)

Series (code No.) 90.092	Spare parts list No. 038.98.3.1004	SE 12 D		Text page 19
------------------------------------	--	----------------	--	------------------------

Number in drawing	Order number	Piece	Designation	from status onwards
X	X	X	X	X
21-57	60370300400	001	THREADED ROD 18L	001
	60380800400	001	THREADED ROD 18H	001
21-58	95972840001	000	SCREW SEALING ADHESIVE LOCTITE 648 10ML	001
21-59	40220000201	003	PROTECTIVE PLUG 12.2 KNURLED	001
21-60	60354300800	001	SLIDING BAR 18L/18H	001
	60370400600	001	PLASTIC BLOCK FOR BEARING 25 H	002
21-61	60354301000	001	ADHESIVE FOIL	001
21-62	56739040000	004	WASHER A 4.3 18L/ 18 H	001
	56972510000	004	SCREW RAISED HEAD M 4X12 25H	002
21-63	56400890000	004	LOCK NUT M 4	001
21-70	60370500600	001	STOP 25H	002
	60380400800	001	BEARING, BEHIND 18L/18H	001
21-71	60380400600	001	BEARING, FRONT	001
21-72	57630440000	002	COUNTERSUNK SCREW M 4X12 25H	002
	57766050000	002	SPRING WASHER A 5 18L/ 18 H	
21-73	95972950001	000	SCREW SEALING ADHESIVE LOCTITE 243 50ML	002
21-74	57430160000	002	HEXAGON SCREW M 5X16	
21-75	56972510000	002	SCREW RAISED HEAD M 4X12	001
21-80	60354301500	001	GUIDE SHAFT 18L/18H	001
	60381800400	001	GUIDE SHAFT 25H	002
21-82	50001510000	001	CUP SPRING 11 X 6.2X0.3	001
21-84	60353601700	001	SHOCK ABSORBER	001
21-85	60370403400	001	BUSHING	002
21-86	56327290000	001	NOTCHED TABLE PIN 4X8 25 H	002
	60380400900	001	GUIDING SHAFT 18L/ 18 H	001
21-90	60380401100	001	STOP 18L	001
	60380501100	001	STOP 18H	001
21-92	57630540000	002	COUNTERSUNK SCREW M 5X16	001

Text page 20	SE 12 D	Spare parts list No. 038.98.3.1004	Series (code No.) 90.092
------------------------	----------------	--	------------------------------------

Number in drawing	Order number	Piece	Designation	from status onwards
X	X	X	X	X
21-100	60370403101	001	SLIDER PROTECTING DEVICE + LEVER 25H	002
	60380401200	001	GUIDE PREASSEMBLED 18L/18 H	001
21-100-1	60370401200	001	LEVER, PREASSEMBLED	002
21-100-3	60370203203	001	GUARD PLATE	002
21-100-5	60270201801	001	WASHER WITH BOLT	002
	60270201802	001	WASHER WITH BOLT FROM MACHINE NO. 211 3351	002
21-100-7	60220401600	001	LOCK WASHER	002
21-100-9	60220403800	001	WASHER	002
21-100-11	60370403000	001	BOLT	002
21-100-12	96055070001	000	LUBRICATING GREASE PARALIQ GA 343	002
21-100-13	95972840001	000	SCREW SEALING ADHESIVE LOCTITE 648 10ML	002
21-100-15	50001540000	001	CUP SPRING 23.7 X14.3X0.3	002
21-100-17	60352302300	001	THRUST WASHER	002
21-100-19	60370404000	001	CYLINDRICAL HANDLE	002
21-100-82	60380401400	001	GUIDE	001
21-100-83	50001170000	002	BUSHING 14X16X15	001
21-100-84	60380401600	001	THREADED BOLT	001
21-100-85	56087080000	001	STAR KNOB K 50 M 8	001
21-100-86	56083500000	001	THREADED PIN M 5X 8	001
21-100-87	60380401500	001	ARM	001
21-100-88	57767060000	001	SPRING WASHER A 6	001
21-100-89	56739060000	001	WASHER A 6.4	001
21-100-90	57736250000	001	CHEESE-HEAD SCREW M 6X25	001
21-100-94	60380401700	001	SPRING BOLT	001
21-100-95	40110201104	001	PRESSURE SPRING 0110201104	001
21-100-97	56070470000	001	THREADED PIN M 4X 4X2.5	001
21-100-98	96055080001	000	LUBRICATING GREASE KLUEBER- SYNTH UH1	001
21-100-99	40110102102	001	BOLT 7X 1	001
21-100-100	50002520000	001	PROTECTIVE PLUG IL4-062	
21-100-101	56395310000	001	W-SEALING RING INA G 6X10X 2	001
21-100-102	56187740000	001	PARALLEL PIN 4M6X20	001
21-104	50275110000	001	PRESSURE SPRING VD-124 0.8X21.5	001
21-105	57753500000	002	LOCK WASHER 5	001
21-106	56739060000	001	WASHER A 6.4	001
21-107	60380401801	001	TENSION ROD	001
21-108	56087170000	001	MUSHROOM-SHAPED HANDLE D 21 M 6	001
21-110	50001240000	001	BUSHING 6X 8X 6	001

Bitte unbedingt 11-stellige **Bestell-Nr.** angeben • Please always indicate 11 digit **Order No.** • Absolutement nécessaire d'indiquer **No. de commande**
(11 chiffres) • Favorisca specificarci sempre il **N. di ordine** a 11 cifre • Es imprescindible que citen el **No. de pedido** (11 guarismos)

Series (code No.) 90.092	Spare parts list No. 038.98.3.1004	SE 12 D	Text page 21
------------------------------------	--	----------------	------------------------

Number in drawing	Order number	Piece	Designation	from status onwards
X	X	X	X	X
21-120	60353800703	001	GUARD PLATE +LEVER ALSO SE12D FROM MACHINE NO. 211 3351	001
21-120-121	60353603301	001	LEVER PREASSEMBLED	001
21-120-121-1	60353603400	001	LEVER	001
21-120-121-2	60260211001	001	LEVER HUB	001
21-120-121-3	50001150000	002	BUSHING 10X12X12	001
21-120-121-4	50001160000	002	BUSHING 12X14X15	001
21-120-121-5	56337160000	001	GROOVED PIN 5X16	001
21-120-121-6	60260206700	001	STOP	001
21-120-121-7	57630630000	001	COUNTERSUNK SCREW M 6X16	001
21-120-121-8	60260206803	001	BEARING BOLT	001
21-120-121-9	60353603500	001	BUTTON	001
21-120-121-10	95972840001	000	SCREW SEALING ADHESIVE LOCTITE 648 10ML	001
21-120-121-11	95972950001	000	SCREW SEALING ADHESIVE LOCTITE 243 50ML	001
21-120-122	00110500002	001	WASHER 6.2X0.5	001
21-120-123	60260207003	001	SWITCH LEVER	001
21-120-125	40182400005	001	PRESSURE SPRING 0182400005	001
21-120-126	60220003700	001	STOP PIN	001
21-120-134	60353801703	001	GUARD PLATE	001
21-120-136	60270201802	001	WASHER WITH BOLT	
21-120-141	60220401600	001	LOCK WASHER	001
21-120-142	60260207100	001	SHAFT	001
21-120-143	96055040001	000	OIL ISOFLEX TOPAS NB 5051	001
21-120-144	60220403800	001	WASHER	001
21-120-145	00110000074	003	WASHER	001
21-120-146	50001690000	001	CUP SPRING 21.8 X12.3X0.25	001
21-120-147	60260207200	001	CUP DISK	001
21-120-148	56444800000	001	HEXAGON NUT, FLAT-TYPE BM 8	001
21-120-155	60260207301	001	GEAR WHEEL	001
21-120-156	60260212500	001	STOP	001
21-120-157	60260207502	001	COVER	001
21-120-158	57451200000	001	COUNTERSUNK SCREW M 4X10	001

Text page 22	SE 12 D	Spare parts list No. 038.98.3.1004	Series (code No.) 90.092
------------------------	----------------	--	------------------------------------

Number in drawing	Order number	Piece	Designation	from status onwards
X	X	X	X	X
21-120-159	60353801201	001	LEVER EXTENSION ASSEMBLED	001
21-120-159-1	60353801500	001	LEVER EXTENSION	001
21-120-159-2	57743740000	001	CHEESE-HEAD SCREW M 8X50	001
21-120-159-3	56739080000	002	WASHER A 8.4	001
21-120-159-4	60260212400	001	STOP PIN	001
21-120-159-5	60353801401	001	HANDLE	001
21-120-159-6	40220000801	001	PROTECTIVE PLUG 27.2 KNURLED	001
21-120-159-7	95972840001	000	SCREW SEALING ADHESIVE LOCTITE 648 10ML	001
21-120-160	60260211900	001	THRUST WASHER	001
21-120-161	60260212300	001	THRUST WASHER	001
21-120-162	60260207800	001	DIVOT NUT	001
21-120-163	57750010000	001	WASHER SR1947 6.2	001
21-120-164	56413060000	001	CAP NUT M 6	001
21-120-169	95972950001	000	SCREW SEALING ADHESIVE LOCTITE 243 50ML	001
21-120-170	95972840001	000	SCREW SEALING ADHESIVE LOCTITE 648 10ML	001
21-122	60220001100	002	THRUST WASHER	001
21-124	60260212200	006	WASHER	001
21-126	60353602300	001	SHAFT	001
21-128	56322570000	001	GROOVED TAPER PIN 4 X 24	001
21-140	60364302600	001	SUPPORTING PLATE COMPL. 18L/ 18H	001
	60381800503	001	SUPPORT	002
21-141	56188000000	001	PARALLEL PIN 6M6 X 40	002
21-142	57630540000	002	COUNTERSUNK SCREW M 5X16	002
21-143	95972840001	000	SCREW SEALING ADHESIVE LOCTITE 648 10ML	002

Series (code No.) 90.092	Spare parts list No. 038.98.3.1004	SE 12 D		Text page 23
------------------------------------	--	----------------	--	------------------------

Number in drawing	Order number	Piece	Designation	from status onwards
X	X	X	X	X
21-148	60370401900	003	SCREW	001
21-150	60370302101	001	REAR WALL LARGE	001
	60370402101	001	REAR WALL SMALL	001
21-151	60370402001	001	FOIL	001
21-152	56739050000	003	WASHER A 5.3	001
21-153	57767050000	003	SPRING WASHER A 5	001
21-154	56444500000	003	HEXAGON NUT, FLAT-TYPE BM 5	001
21-161	60370402200	003	PROTECTIVE PLUG	001
21-170	60370403500	001	BAR	001
21-171	56972780000	002	SCREW RAISED HEAD M 6X8	001
21-172	95972840001	000	SCREW SEALING ADHESIVE LOCTITE 648 10ML	001
21-175	56046530000	001	THREADED PIN M 10X35	001
21-176	95972840001	000	SCREW SEALING ADHESIVE LOCTITE 648 10ML	001
21-177	60370203400	001	SEALING	001
21-178	56086100000	001	CYLINDRICAL HANDLE GN519 28 M10	001
21-180	60354301703	001	REMNANT HOLDER PREASSEMBLED 25H	002
	60364301703	001	REMNANT HOLDER COMPL. 18 L/ 18H WITH LONGER SUPPORTING PIN	001
21-200	60380402400	001	PROTECTIVE PLATE	
21-201	95972840001	001	SCREW SEALING ADHESIVE LOCTITE 648 10ML	
21-300	56008200000	002	THREADED BOLT FHS-M 4X12	
21-302	60274600400	001	ROUND NUT	001
21-303	60274600500	001	ROUND NUT	001
21-304	60370202400	001	GUIDE BAR	001
21-320	60380402001	001	PRODUCT FIXATION DEVICE ASSEMBLED (A)	001
	60381800601	001	SALAMI GUIDE (B)	002
21-320-1	60380402101	001	SLIDER (A)	001
	60381801000	001	SLIDER (B)	002
21-320-2	60380402301	001	PRODUCT FIXATION DEVICE	001
21-320-3	56047610000	001	THREADED PIN M 6X 8	002
21-320-5	60380402200	002	SLIDE PIN	001
21-320-6	56836380000	002	COUNTERSUNK SCREW M 4X20	001
21-320-7	95972950001	001	SCREW SEALING ADHESIVE LOCTITE 243 50ML	
21-320-8	56047610000	001	THREADED PIN M 6X 8	001
21-320-9	56777100000	002	WASHER 10	
21-320-10	60381800701	001	RULER, SOLDERED	002
21-320-12	60380402200	002	SLIDE PIN	002
21-320-15	56070570000	001	THREADED PIN M6 X 7.5 X 11.5	002
21-320-16	56777100000	001	WASHER 10	002
21-320-20	95972950001	000	SCREW SEALING ADHESIVE LOCTITE 243 50ML	002

Text page 24	SE 12 D	Spare parts list No. 038.98.3.1004	Series (code No.) 90.092
------------------------	----------------	--	------------------------------------

Number in drawing	Order number	Piece	Designation	from status onwards
X	X	X	X	X
40	60736200100	001	ARMOURED MAINS CABLE AC EURO L = 2.5M	001
41	60476200102	001	POWER LEAD CEKON CURVED CONNECTOR	001
	60806200100	001	MAINS CABLE 3-PH.CURRENT 4POL. CEE 2.5MM	005
43	40110047400	001	POWER LEAD EXPORT	001
	40300057700	001	POWER CONNECTING CABLE	001
	60266201200	001	MAINS CABLE	001
48	60380315801	001	RUBBER BUSH	002
50	52022640000	001	MOTOR A.C. 1.5/4-A40R 230V / 50HZ	001
	52022670000	001	MOTOR A.C. 1.5/4-A40R 220V/60HZ	001
51	52022610000	001	MOTOR 3-PHASE CURRENT 1.5/4-A40R 400/230V 50HZ	001
52	52022660000	001	MOTOR, AC SS SRB 1.5/4-A40R 120V / 60HZ	001
54	52022630000	001	MOTOR 3-PHASE CURRENT 1.5/4-A40R THREE-PHASE CURRENT 220/380V 60 HZ	
58-10	60370107200	001	WASHER	001
58-11	57442160000	001	COUNTERSUNK SCREW M 6X16	001
58-13	95972950001	000	SCREW SEALING ADHESIVE LOCTITE 243 50ML	001
58-20	60220104602	001	EXHAUST AIR HOOD, AT THE TOP	001
58-21	40220104701	001	EXHAUST AIR HOOD, AT BOTTOM	001
58-22	56735430000	003	WASHER A 4.3	001
58-23	56805410000	003	OVAL-HEAD SCREW M 4X6	001

Bitte unbedingt 11-stellige **Bestell-Nr.** angeben • Please always indicate 11 digit **Order No.** • Absolutement nécessaire d'indiquer **No. de commande**
(11 chiffres) • Favorisca specificarci sempre il **N. di ordine** a 11 cifre • Es imprescindible que citen el **No. de pedido** (11 guarismos)

Series (code No.) 90.092	Spare parts list No. 038.98.3.1004	SE 12 D		Text page 25
------------------------------------	--	----------------	--	------------------------

Number in drawing	Order number	Piece	Designation	from status onwards
X	X	X	X	X
60	71092130000	001	CAPACITOR MP 6MF400V	001
61	76090090000	001	CAPACITOR MKP 20MF280V	001
66	60370113800	001	HOLDING ANGLE PLATE	001
68	56818470000	001	SELF-TAPPING SCREW CM 4X16 T20	001
69	57758400000	001	TOOTHED LOCK WASHER A 4.3	001
73	60226101601	002	STRAND K1-CB SE8	001
74	60385200103	001	LPB POWER BOARD 230 V SE 12-D	001
75	60385201120	001	LPB MAINS BOARD 120V SE12-D	002
75-414	71452460000	001	FUSE ELEMENT 0.7 T UL NO. 19198 F2	
	71452470000	001	FUSE ELEMENT 0.8 T UL NO. 19198	002
75-417	71452210000	002	FUSE ELEMENT 1.0 T UL NO. 19198 F2 / F3	
75-418	71452130000	001	FUSE ELEMENT 0.4 T UL NO. 19198 F1	
92	60370117100	001	DISTANCE WASHER 0.5	
93	60370117200	001	DISTANCE WASHER 0.2	002
100-1	60380102901	001	PROTECTIVE RING	001
100-2	60370107800	001	PRODUCT SUPPORTER COMPL.	001
100-2-1	60370107900	001	PRODUCT SUPPORTER	001
100-2-2	60540101700	001	NUT	001
100-2-3	60540101800	001	COVER	001
100-3	56972600000	001	OVAL-HEAD SCREW M 5X10	001
100-4	56032750000	001	THREADED PIN M 4X75	001
100-6	50373961000	001	DISK-TYPE MAGNET RD10X6 N42	001
100-7	60223506301	001	COVER	001
100-8	95972870001	000	SCREW SEALING ADHESIVE LOCTITE 638 50ML	001
100-9	60380402200	001	SLIDE PIN	001
			FROM 05/98 ONWARDS	
100-30	60274601000	003	BOLT	

Text page 26	SE 12 D	Spare parts list No. 038.98.3.1004	Series (code No.) 90.092
------------------------	----------------	--	------------------------------------

Number in drawing	Order number	Piece	Designation	from status onwards
X	X	X	X	X
101-1	60380103301	001	GUARD RING 18L	001
	60380103901	001	GUARD RING 18H	001
101-2	56032750000	001	THREADED PIN M 4X75	001
101-3	95972950001	000	SCREW SEALING ADHESIVE LOCTITE 243 50ML	001
101-4	50373961000	001	DISK-TYPE MAGNET RD10X6 N42	001
101-5	60223506301	001	COVER	001
101-6	95972870001	000	SCREW SEALING ADHESIVE LOCTITE 638 50ML	001
110	60370115900	001	GAUGE PLATE PRE-ASSEMBL. 0	001
111	60370115800	001	SE12 GAUGE PLATE COMPL	001
	60370116000	001	GAUGE PLATE PREASSEMBLED 18H/25H	001
115	60384801203	001	SPECIFICATION PLATE SE12D US (USA)	005
	60384801400	001	SPECIFICATION PLATE SE12D CE	001
	60384801700	001	SPECIFICATION PLATE SE12D CE	001
	60384801800	001	SPECIFICATION PLATE SE12D	001
	60384801900	001	SPECIFICATION PLATE SE12D CE	001
	60384802000	001	SPECIFICATION PLATE SE12D	001
	60384802100	001	SPECIFICATION PLATE SE12D	001
	60384802200	001	SPECIFICATION PLATE SE12D	003
	60384802500	001	SPECIFICATION PLATE SE12D DR 400 V	005
	60384802900	001	SPECIFICATION PLATE SE12D US (CAN)	005
115-2	60374805200	001	PROTECTIVE FOIL 80 X 80	002
116	60374805100	001	PROTECTIVE FOIL 43 X 80	005
122	47509000300	001	REFERENCE PLATE GER	001
123	47509000400	001	REFERENCE PLATE ENG	001
124	60384802300	001	PLATE UNIVEX SE 12 D	003
125	60374801800	001	PLATE UNIVEX	003

Bitte unbedingt 11-stellige **Bestell-Nr.** angeben • Please always indicate 11 digit **Order No.** • Absolutement nécessaire d'indiquer **No. de commande**
(11 chiffres) • Favorisca specificarci sempre il **N. di ordine** a 11 cifre • Es imprescindible que citen el **No. de pedido** (11 guarismos)

Series (code No.) 90.092	Spare parts list No. 038.98.3.1004	SE 12 D		Text page 27
------------------------------------	--	----------------	--	------------------------

Number in drawing	Order number	Piece	Designation	from status onwards
X	X	X	X	X
130	60384800101	001	ADHESIVE CIRCUIT DIAGRAM AC SE-12D	001
	60384800120	001	ADHESIVE CIRCUIT DIAGRAM AC+MES SE-12D	002
	60384810100	001	ADHESIVE CIRCUIT DIAGRAM SE-12D/DSP	004
	60384810101	001	ADHESIVE CIRCUIT DIAGRAM SE-12D/DSP	005
	60384830100	001	ADHESIVE CIRCUIT DIAGRAM SE-12D/DSP	006
131	60384800201	001	ADHESIVE CIRCUIT DIAGRAM SE-12D	001
	60384801201	001	ADHESIVE TAPE TURNABL. (O.N) SE-12D	001
	60384810201	001	ADHESIVE CIRCUIT DIAGRAM TURNABL. SE-12D	005
	60384820200	001	ADHESIVE CIRCUIT DIAGRAM TURNABL. O.N.	005
132	51975600000	001	REFERENCE PLATE SE 8	001
133	60384802700	001	IDENTIFICATION PLATE SE 12 D US	005
134	60544808100	001	REFERENCE PLATE "DO NOT CLEAN WITH HOSE"	001
135	47501006101	001	REFERENCE PLATE FRA	001
136	47509010400	001	REFERENCE PLATE FRA	001
	51907700000	001	REFERENCE PLATE FRA	001
	67501214700	001	WARNING PLATE USA	
137	67501163700	001	REFERENCE PLATE WARNING INSTRUCTIONS	
140	60374700100	001	ACCESSORIES	001
140-1	40220003400	001	PROTECTIVE BAG	001
140-2	60220007800	001	LUBRICATING OIL	
140-3	40950000176	001	BRUSH WITH WIPER	001
140-4	50002840000	001	MULTI-PURPOSE CLOTH COLOURED 300X300	001
140-5	60220007500	001	PAPER FELT	001
150-1	60350005100	004	DISTANCE COLLAR L52	
150-2	57743550000	002	CHEESE-HEAD SCREW M 6X120	
150-3	57743580000	002	CHEESE-HEAD SCREW M 6X140	
	57743590000	002	CHEESE-HEAD SCREW M 6X150	001

Text page 28	SE 12 D	Spare parts list No. 038.98.3.1004	Series (code No.) 90.092
------------------------	----------------	--	------------------------------------

Number in drawing	Order number	Piece	Designation	from status onwards
X	X	X	X	X
160	60370600100	001	SHARPENER COMPL. EURO	001
	60370800100	001	SHARPENER COMPL. 18H 25H	001
160-1-7203	60220600202	001	HOUSING	001
160-1-7210	60220600500	001	COLLAR STUD	001
160-1-7211	40110500001	001	PRESSURE SPRING 0110500001	001
160-1-7212	56755650000	001	WASHER 6.4	001
160-1-7213	57750400000	001	LOCK WASHER 4	001
160-1-7214	60220600600	001	BEARING BOLT	001
160-1-7215	40220600800	001	HANDWHEEL	001
160-1-7216	56805720000	001	OVAL-HEAD SCREW M 6X30	001
160-1-7217	56735640000	001	WASHER A 6.4	001
160-1-7218	60220602600	001	SPACER BUSHING	001
160-1-7220	56400860000	001	LOCK NUT M 6	001
160-1-7221	60220600700	001	AXLE	001
160-1-7222	40220601000	001	PRESSURE SPRING 0.8X 6.3 X19	001
160-1-7223	40220601100	001	WASHER	001
160-1-7224	57750400000	001	LOCK WASHER 4	001
160-1-7230	40220601200	002	LEAF SPRING	001
160-1-7231	60220600900	001	COVER	001
160-1-7235	40110500008	002	WASHER 6.3	001
160-1-7236	60223401000	001	SHARPENING STONE	001
160-1-7237	60223401100	001	HONING STONE	001
160-1-7238	56728640000	002	WASHER A 6.4	001
160-1-7239	56448600000	002	HEXAGON NUT, FLAT-TYPE BM 6, LEFT	001
160-1-7240	60220602201	001	COVER	001
160-1-7241	60220602301	001	COVER	001
160-1-7245	96002030001	000	MOLYKOTE LONGTHERM W 2	001
160-3	60370600201	001	ADAPTER 0 18L	001
	60370800200	001	ADAPTER USA 18H 25H	001
160-5	57463000000	005	SELF-TAPPING SCREW ST 3.5X16Z1-F	001
160-10	60370600301	001	CLAMPING PIECE	001
160-12	56807410000	001	OVAL-HEAD SCREW 10 LONG, M 6X40	001
160-13	56728640000	002	WASHER A 6.4	001
160-15	56400870000	001	LOCK NUT M 6	001
160-16	60370600701	001	STAR KNOB COMPL	001
160-17	60223400500	001	CAP	001
160-18	95972950001	000	SCREW SEALING ADHESIVE LOCTITE 243 50ML	001
160-50	60370600400	001	STOP	001
160-51	60370600500	001	NUT PLATE	001
160-52	56805680000	001	OVAL-HEAD SCREW M 6X12	001

Bitte unbedingt 11-stellige **Bestell-Nr.** angeben • Please always indicate 11 digit **Order No.** • Absolutement nécessaire d'indiquer **No. de commande**
(11 chiffres) • Favorisca specificarci sempre il **N. di ordine** a 11 cifre • Es imprescindible que citen el **No. de pedido** (11 guarismos)

Series (code No.) 90.092	Spare parts list No. 038.98.3.1004	SE 12 D		Text page 29
------------------------------------	--	----------------	--	------------------------

Number in drawing	Order number	Piece	Designation	from status onwards
X	X	X	X	X
170	60389850001	001	OPERATING INSTRUCTIONS SE-12D	005
	60389852000	001	OPERATING INSTRUCTIONS SE-12D FRENCH	001
171	60389851001	001	OPERATING INSTRUCTIONS SE- 12DENGL.	005
189	51908600000	001	REFERENCE PLATE FRA SE8	001
200	47501149401	000	WARNING LABEL MOVING CARRIAGE GER	001
201	47501145901	001	WARNING LABEL MOVING CARRIAGE ENG	001
202	47501149301	001	WARNING LABEL MOVING CARRIAGE FRANZ	001
203	47509040500	001	WARNING LABEL MOVING CARRIAGE ITA	001
204	47509040600	001	WARNING LABEL MOVING CARRIAGE ESP	001
205	47509040700	001	WARNING LABEL MOVING CARRIAGE PORT	001
206	47509040800	001	WARNING LABEL MOVING CARRIAGE DNK	001
207	47509040900	001	WARNING LABEL MOVING CARRIAGE FLA	001
208	47509041000	001	WARNING LABEL MOVING CARRIAGE SWE	001
209	47509041100	001	WARNING LABEL MOVING CARRIAGE NDL	001
210	47509041200	001	WARNING LABEL MOVING CARRIAGE RUSS	001
211	47509041300	001	WARNING LABEL MOVING CARRIAGE GREEK	001
212	47509041400	001	WARNING LABEL MOVING CARRIAGE CZECH	001
213	47509041500	001	WARNING LABEL MOVING CARRIAGE HUN	002

Text page 30	SE 12 D	Spare parts list No. 038.98.3.1004	Series (code No.) 90.092
------------------------	----------------	--	------------------------------------

Number in drawing	Order number	Piece	Designation	from status onwards
X	X	X	X	X
220	47509050500	001	WARNING LABEL SHARPENING GER	001
221	47509050600	001	WARNING LABEL SHARPENING ENG	001
222	47509050700	001	WARNING LABEL SHARPENING FRA	001
223	47509050800	001	WARNING LABEL SHARPENING ITA	001
224	47509050900	001	WARNING LABEL SHARPENING ESP	001
225	47509051000	001	WARNING LABEL SHARPENING PORT	001
226	47509051100	001	WARNING LABEL SHARPENING DNK	001
227	47509051200	001	WARNING LABEL SHARPENING FLA	001
228	47509051300	001	WARNING LABEL SHARPENING SWE	001
229	47509051400	001	WARNING LABEL SHARPENING NDL	001
230	47509051500	001	WARNING LABEL SHARPENING RUSS	001
231	47509051600	001	WARNING LABEL SHARPENING GREEK	001
232	47509051700	001	WARNING LABEL SHARPENING CZECH	001
233	47509051800	001	WARNING LABEL SHARPENING HUN	002

Series (code No.) 90.092	Spare parts list No. 038.98.3.1004	SE 12 D		Text page 31
------------------------------------	--	----------------	--	------------------------

Number in drawing	Order number	Piece	Designation	from status onwards
X	X	X	X	X
240	47509000301	001	REFERENCE PLATE GER	002
241	47509000401	001	REFERENCE PLATE ENG	002
242	47509000501	001	REFERENCE PLATE FRA	002
243	47509000601	001	REFERENCE PLATE ESP	002
244	47509000701	001	REFERENCE PLATE ITA	002
245	47509001301	001	REFERENCE PLATE DNK	002
246	47509010201	001	REFERENCE PLATE PORT	002
247	47509010301	001	REFERENCE PLATE FLEM	002
248	47509020500	001	REFERENCE PLATE SWE	002
249	47509020600	001	REFERENCE PLATE NDL	002
250	47509020700	001	REFERENCE PLATE RUSS	002
251	47509020800	001	REFERENCE PLATE GREE	002
252	47509020900	001	REFERENCE PLATE SERBOCROAT	002
253	47509021000	001	REFERENCE PLATE CZECH	002
254	47509021100	001	REFERENCE PLATE HUN	002
270	60804801200	001	REFERENCE PLATE SHARP+LUBE	003
270-1	60804803400	000	REFERENCE PLATE AIGUI. ET	003

Text page 32	SE 12 D	Spare parts list No. 038.98.3.1004	Series (code No.) 90.092
------------------------	----------------	--	------------------------------------

Number in drawing	Order number	Piece	Designation	from status onwards
X	X	X	X	X
306	60374802201	001	INSTRUCTIONS SE 12/D	006
307	60384802400	001	INSTRUCTIONS SE12/D	005
9900	94001000013	001	BLADE, 4-HOLE, VS8/SE8/VF330/A330/A400 RA.	
	94001000014	001	BLADE, 4-HOLE, VS8/SE8/VF330/A400G+B	
	94001000016	001	BLADE, TEFLON, 4-HOLE, VS8/SE8/A400 G+B	
	94001000017	001	BLADE, CHEESE, VS8/SE8/VF330/A330 G+B	
	94001000027	001	BLADE-STAINLESS, 4-HOLE, 330D	
	94001000029	001	BREAD BLADE 330D, 4-HOLE, SPIRAL TOOTH	
	60530106000	001	BLADE 330D (GERMAN ARMY)	
9923	71066090000	001	LOCKING N PG 9	
9951	52022620000	001	MOTOR THREE-PHASE CURRENT 1.5/4-A40R THREE-PHASE CURRENT 200V 50/60HZ	
9958	60370502800	001	TOMATO GUIDE REMN. HOLD.PLATE	
9959	60374600300	001	TOMATO GUIDE(PER SET=2)	
9959-3-1	60370502400	001	SLIDER	
9959-3-3	60370502300	001	RULER	
9959-3-5	60380205800	001	SLIDE PIN	
9959-3-11	56047810000	001	THREADED PIN M 8X16	
9960	60370117500	001	BLADE COVER COMPL. TEFLON	
9977	29286020000	001	SILICON TUBE 2X0,5MM APPLY ONLY WHEN PLASTIC PLATE	
	50493180000	001	ADHESIVE TAPE Y4901 WHITE 6BR.X1.1 APPLY ONLY WHEN ALU GROUND PLATE	
9992	60374602000	001	BLADE SHAFT REPAIR KIT	
9992-1	60374602100	001	BLADE SHAFT REPAIR KIT USA	
9992-3	60374602200	001	LOCK NUT REPAIR KIT USA	
9992-5	60374602300	001	THREE-SQUARE HANDLE PRE-ASSEMBL.REP.KIT	
9992-7	60370109600	001	BRAKE PULLEY	