

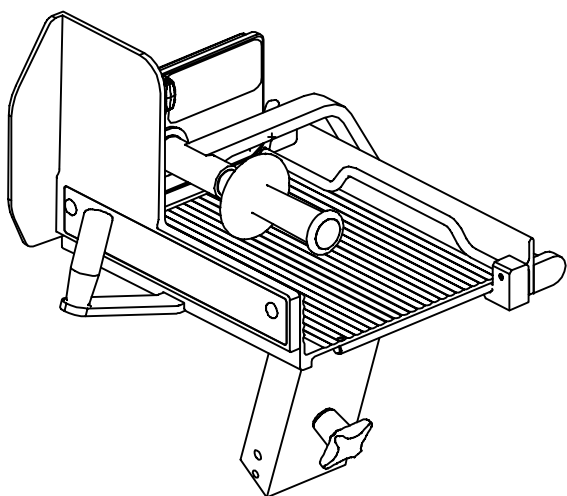
Precision slicer SE 12

Contents

Text page

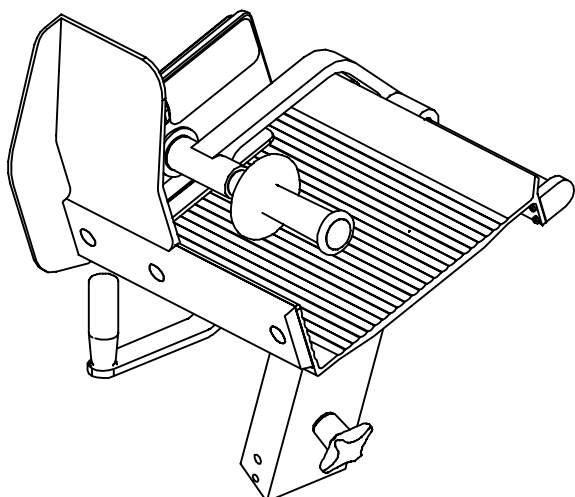
Mounting, blade bearing, spacer sleeves	1
Carriage guide, carriage shaft, ribbed V-belt, rotary knob	2 - 3
Bearing bracket, switch cover, blade cover, deflector, locking slider	4 - 5
Carriage, horizontal (figure items 20-...)	6 - 7
Carriage, inclination 18 degrees (figure items 21-...)	8 - 9
Carriage USA, inclination 25 degrees (figure items 22-...)	10 - 11
Power cable, motor, LPB on/off, glow lamp	12
Blade, guard ring, gauge plate, plates	13
Accessories, accessories for elevated installation	14
Sharpener, operating instructions, blade	15 - 16
Last text page	16
Last page of drawings	16





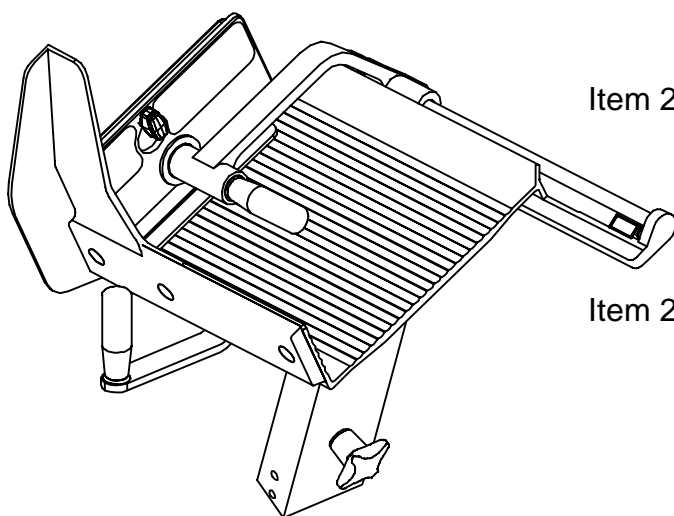
Item 20 Carriage 02

60370200001
Carriage horizontally
positioned with product
fixation



Item 21 Carriage 03

60370300001
Carriage inclined by 18⁰



Item 22 Carriage 04

60370400001
Carriage inclined by 25⁰

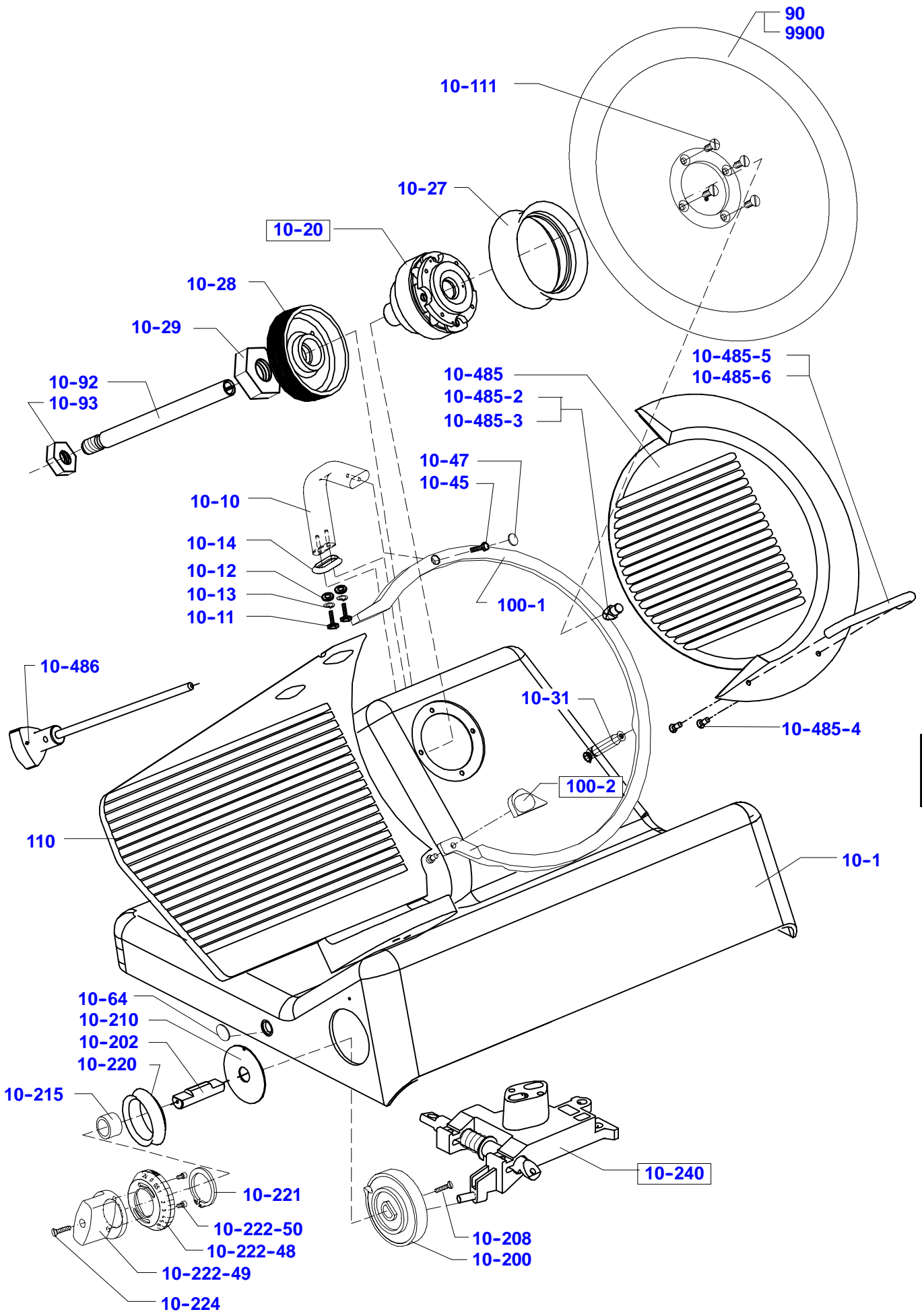
Item 22 Carriage 05

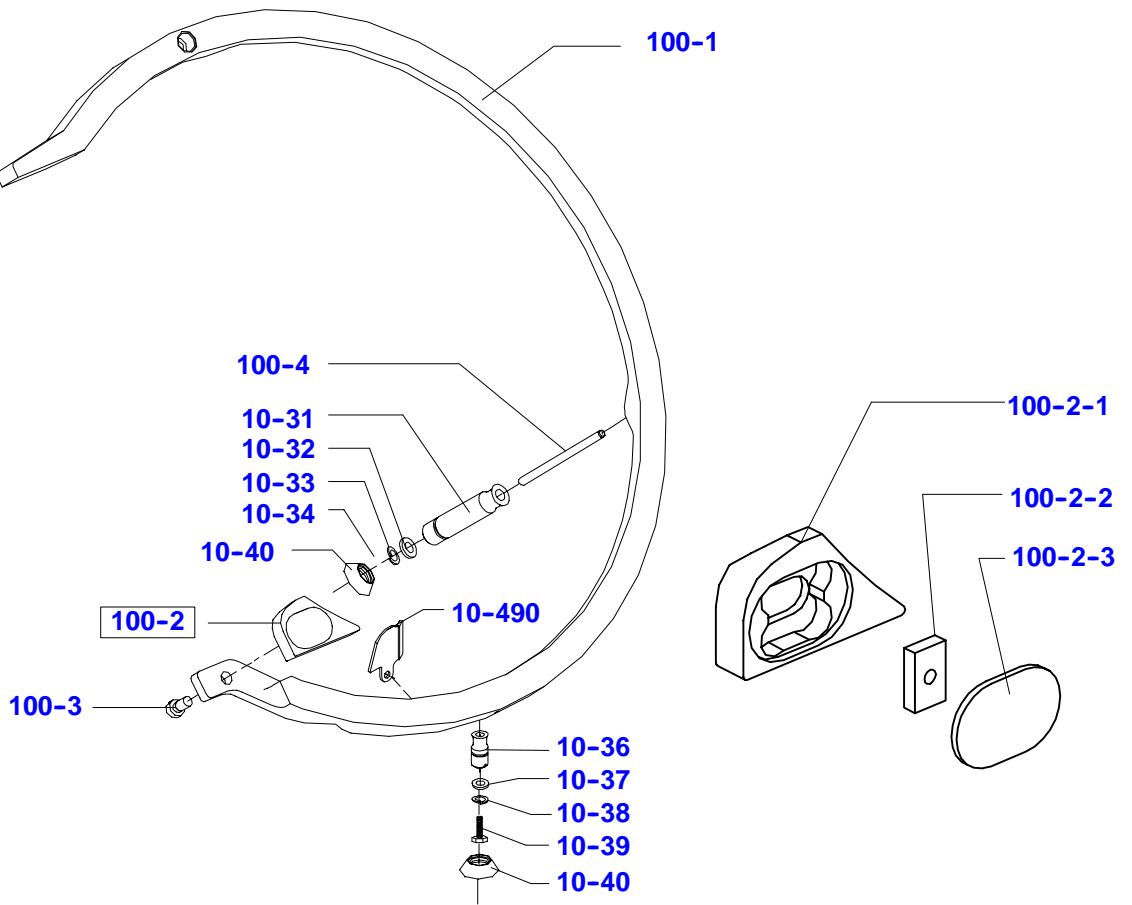
60370500001
Carriage inclined by 25⁰
USA high design version
(carriage foot 30 mm higher)

4

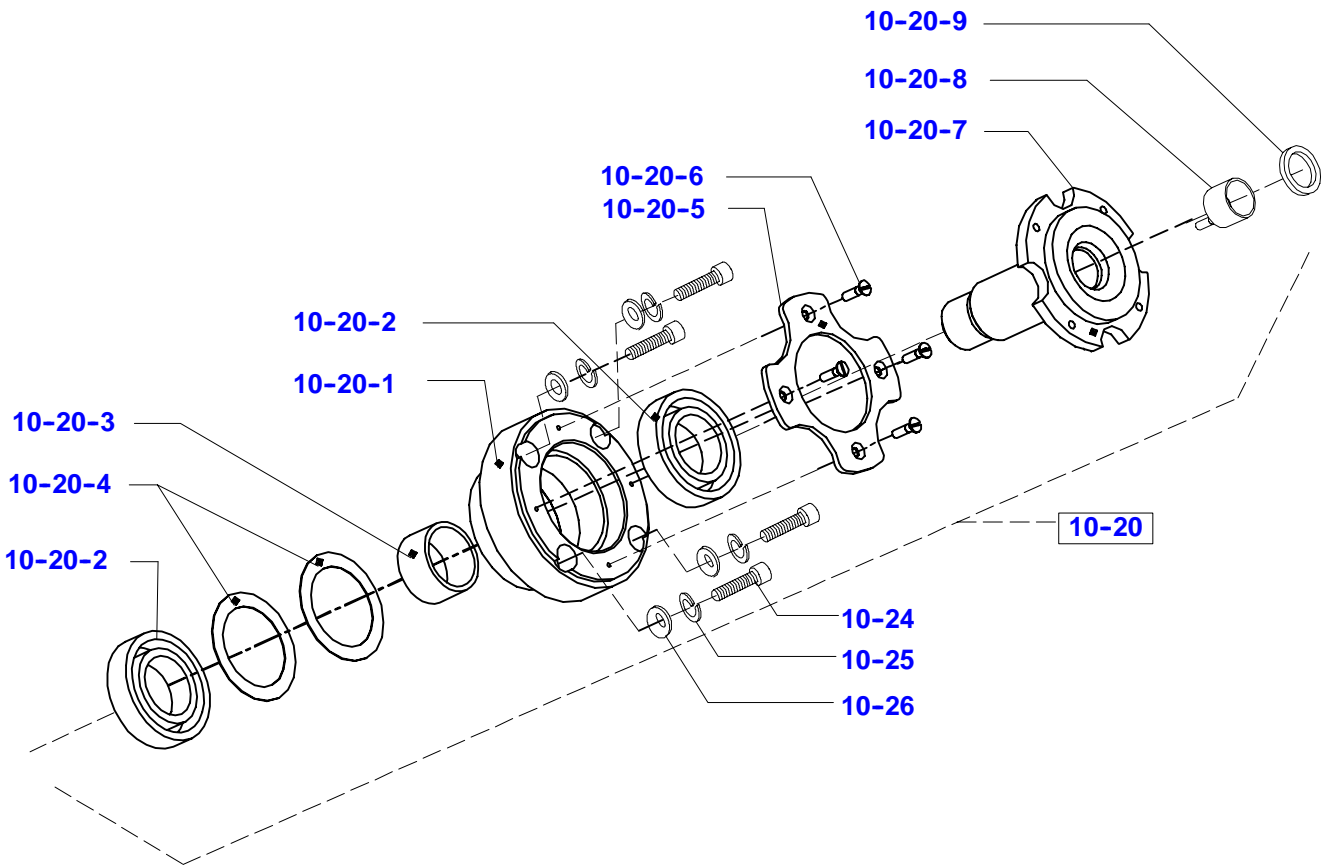
Bitte unbedingt 11 stellige **Bestell-Nr.** angeben
Please always indicate 11 digit **Order No.**
Absolument nécessaire d'indiquer **No.de commande** (11 chiffres)
Favorisca specificarci sempre il **N. di ordine** a 11 cifre
Es imprescindible que citen el **No. de pedido** (11 guarismos)

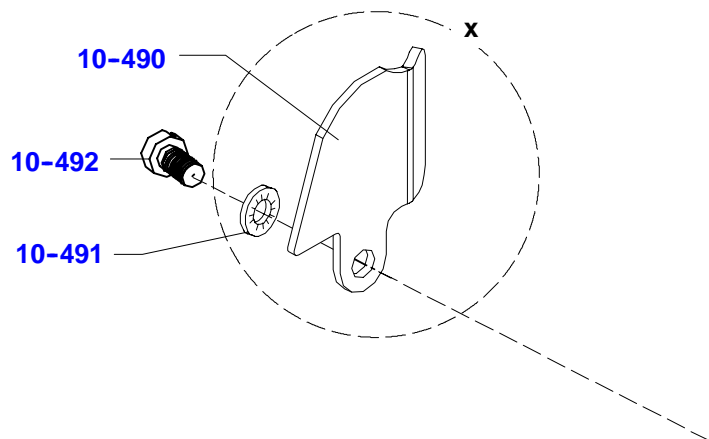
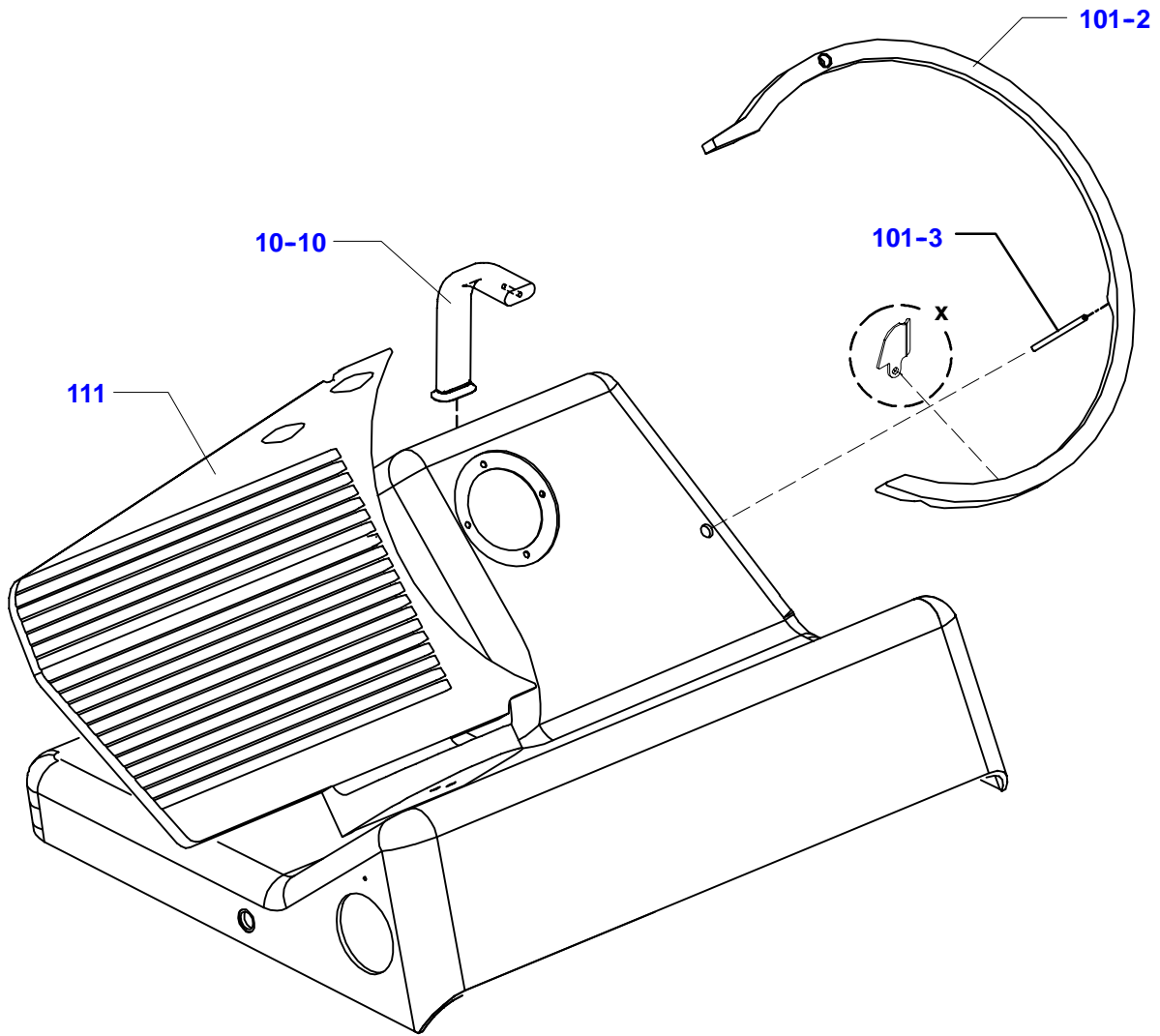
Bizerba GmbH & Co. KG, Postfach 10 01 64, 72301 Balingen/Germany, Tel. (0 74 33) 12-0, Fax G3 (0 74 33) 12-29 33
E-mail: service@bizerba.de Internet: <http://www.bizerba.com>

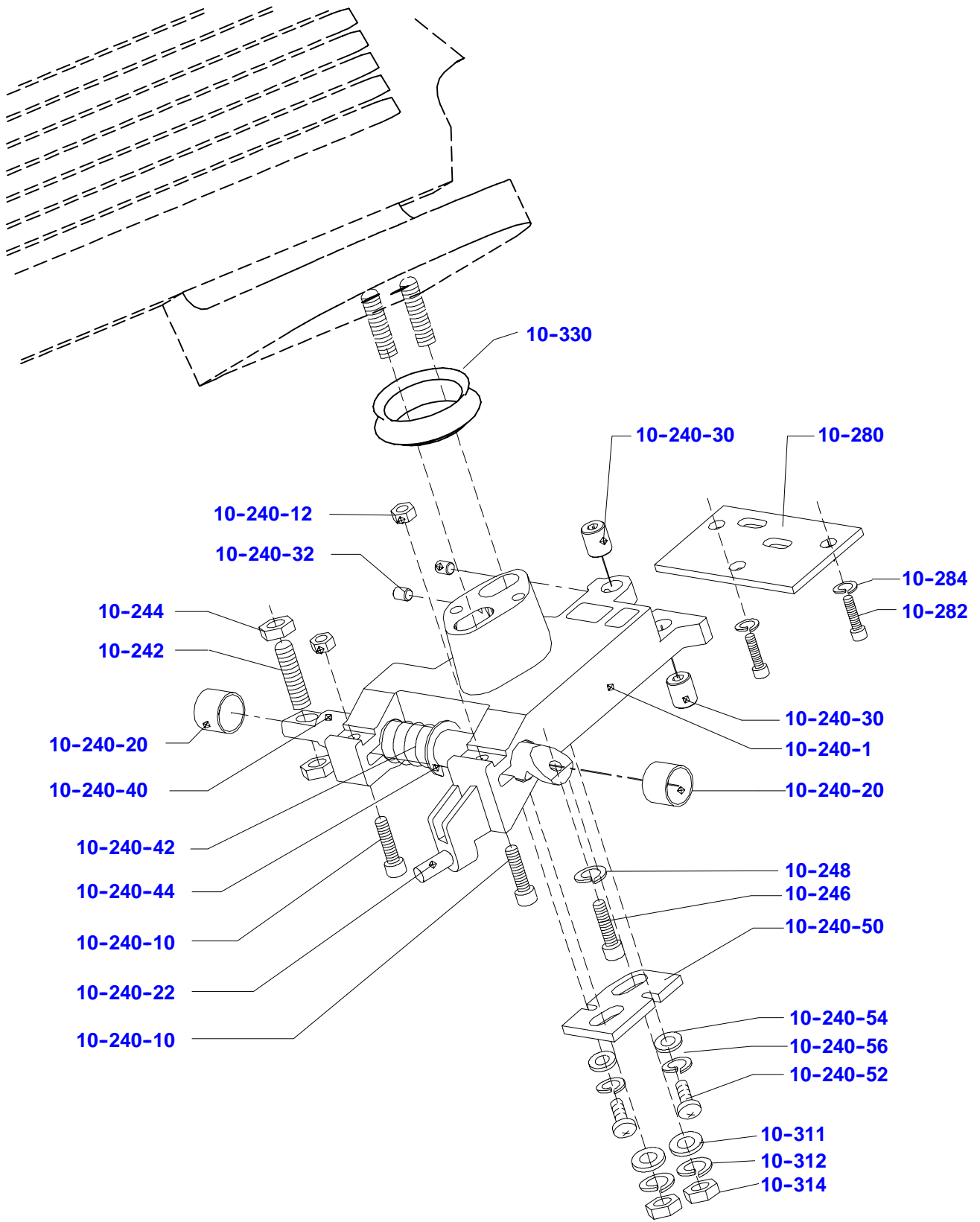




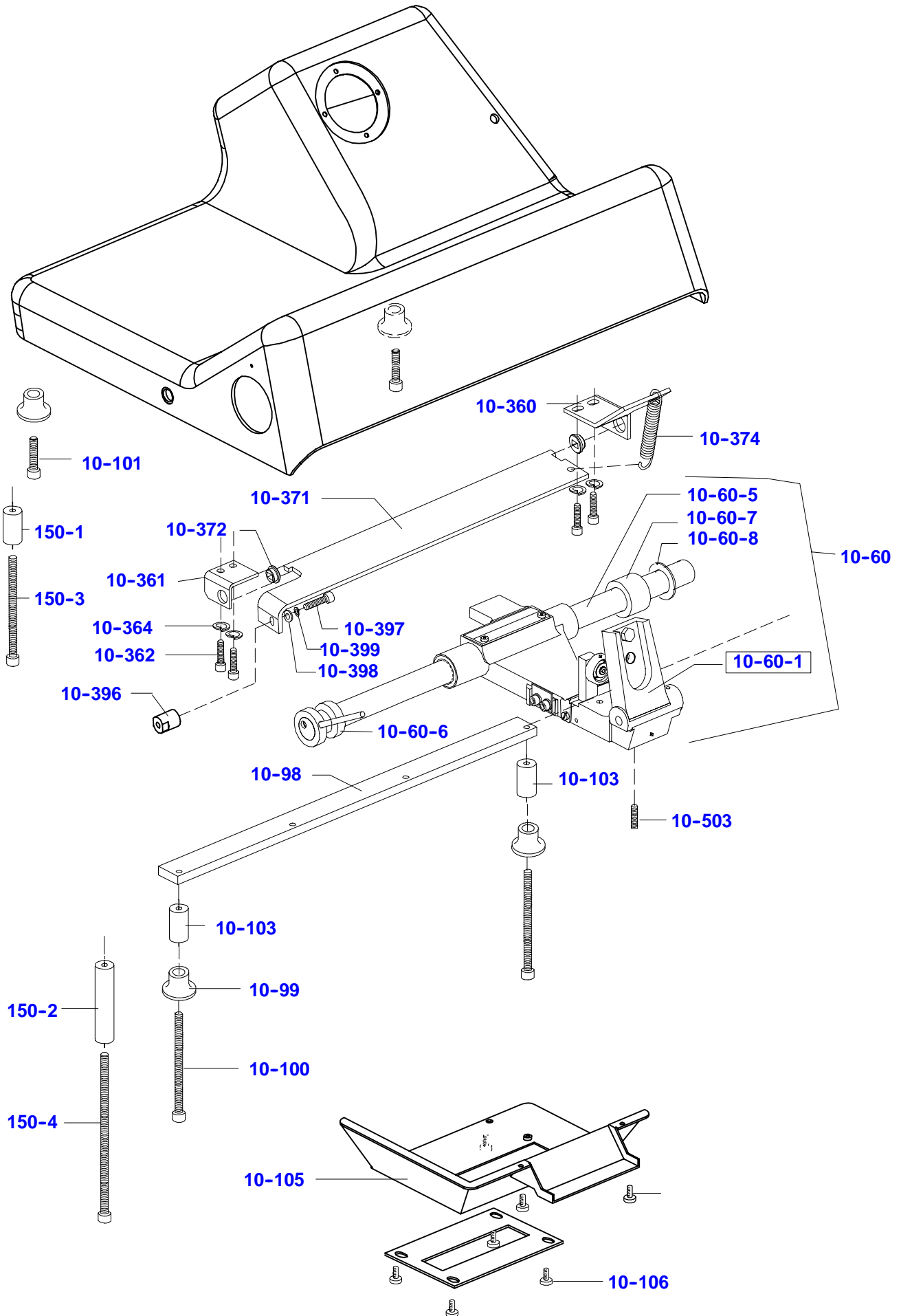
4

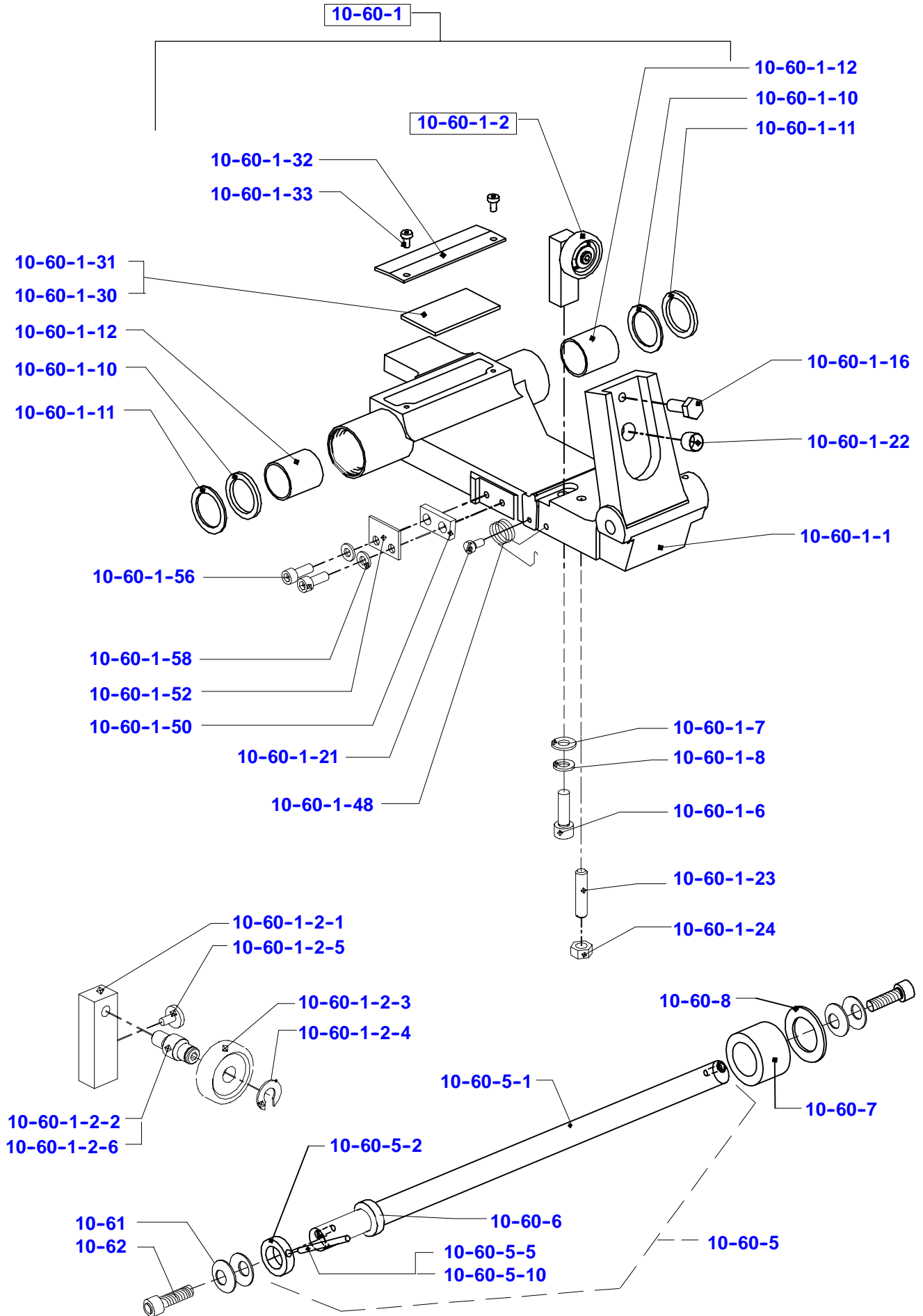




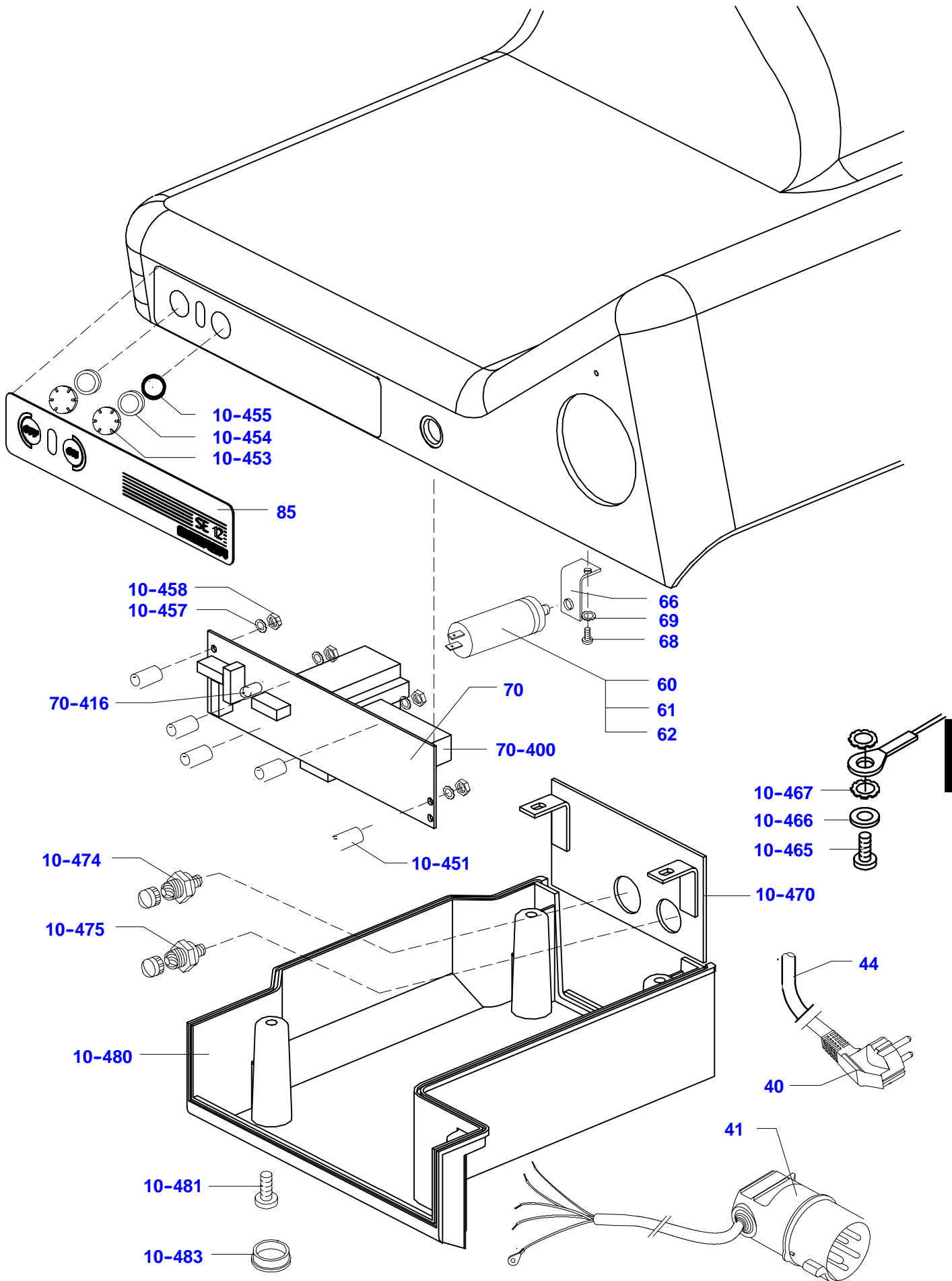


4

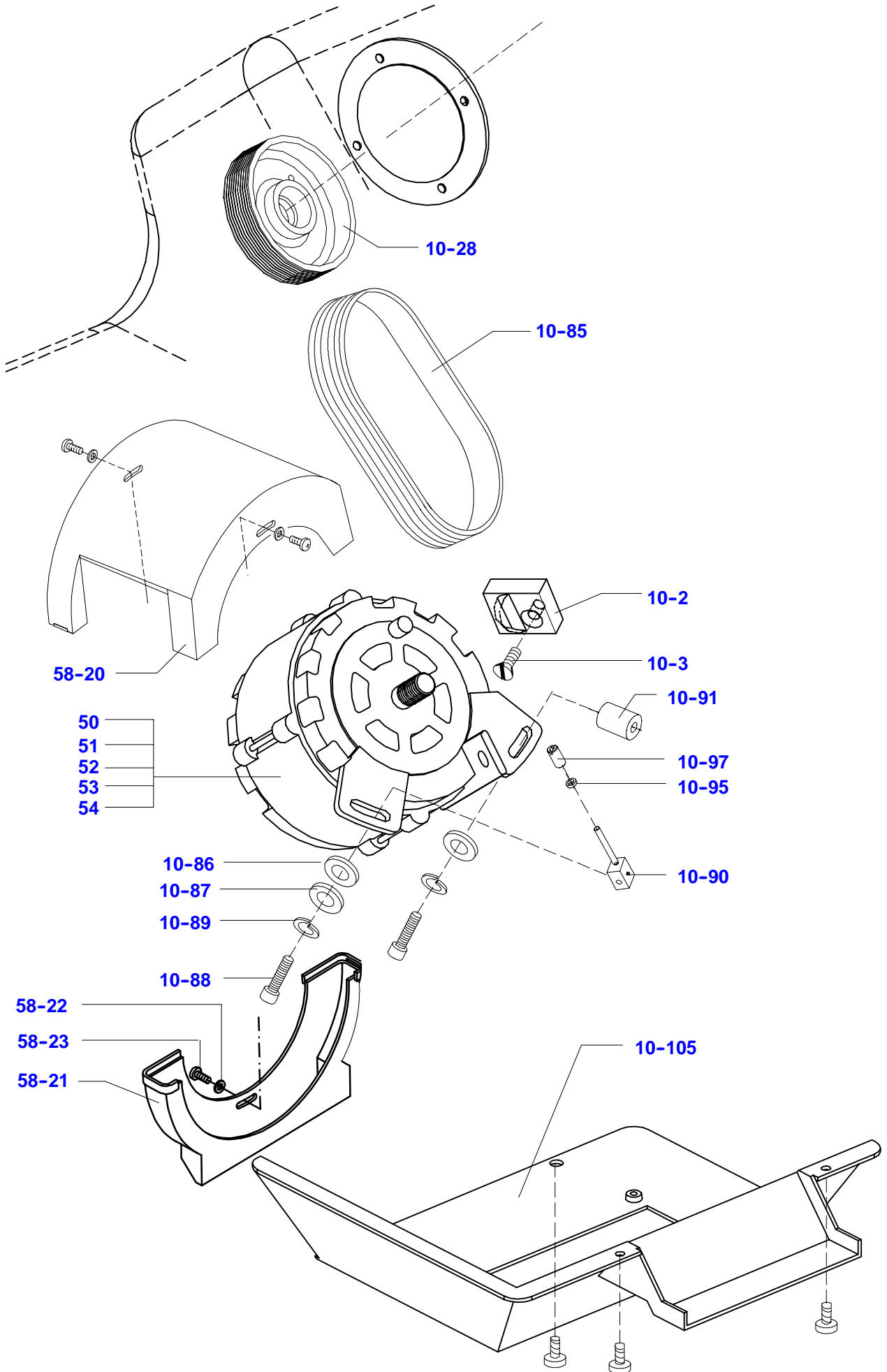




4

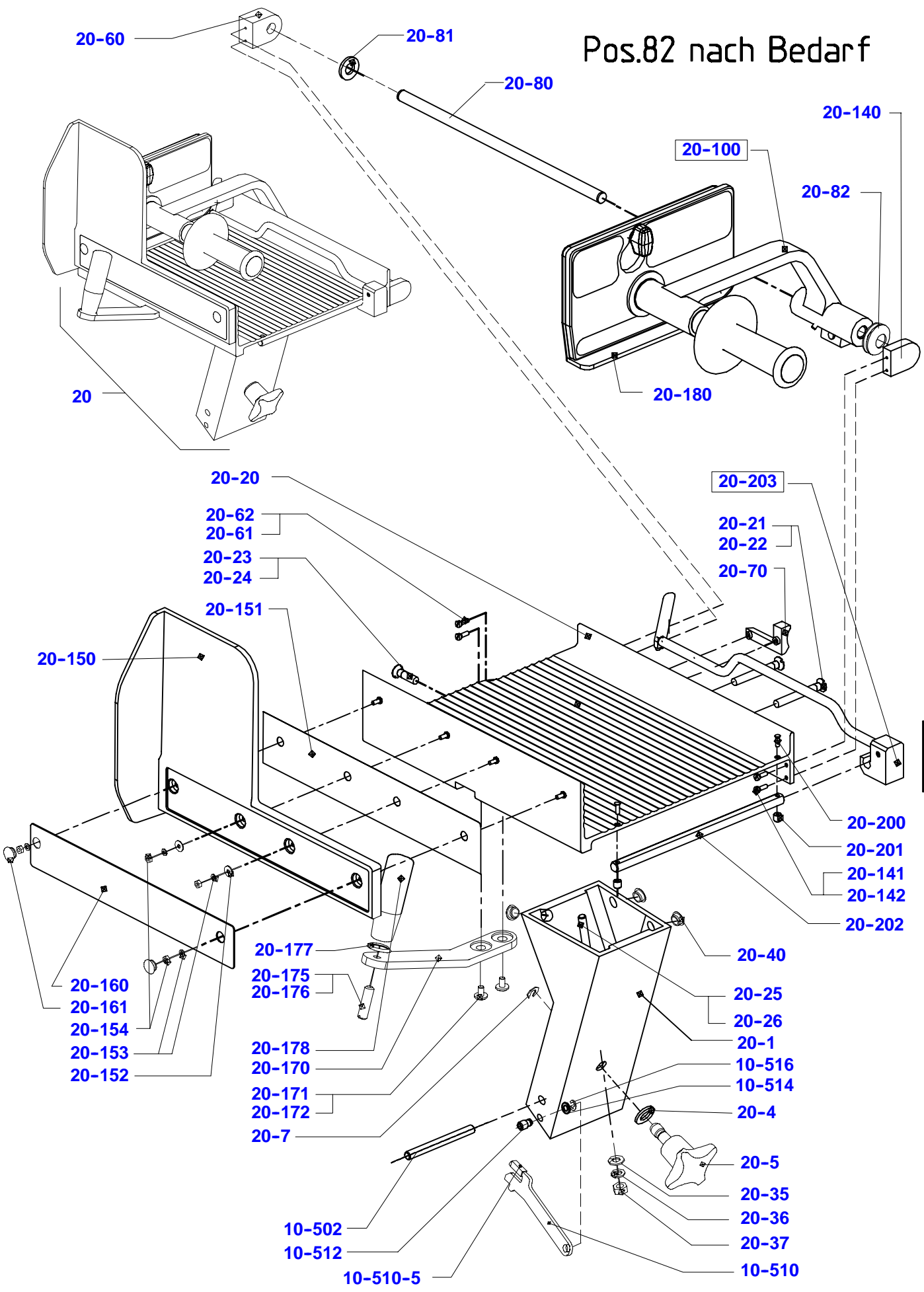


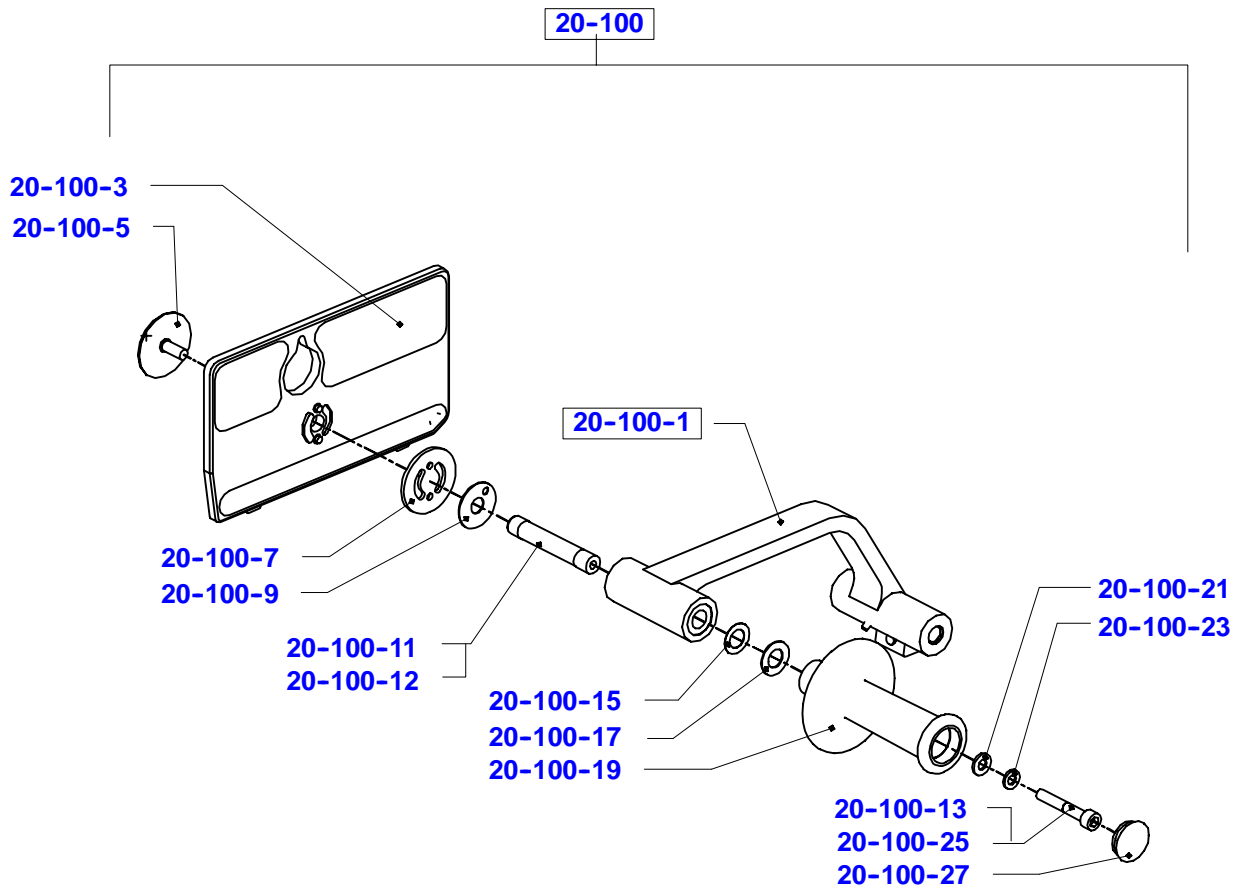
4



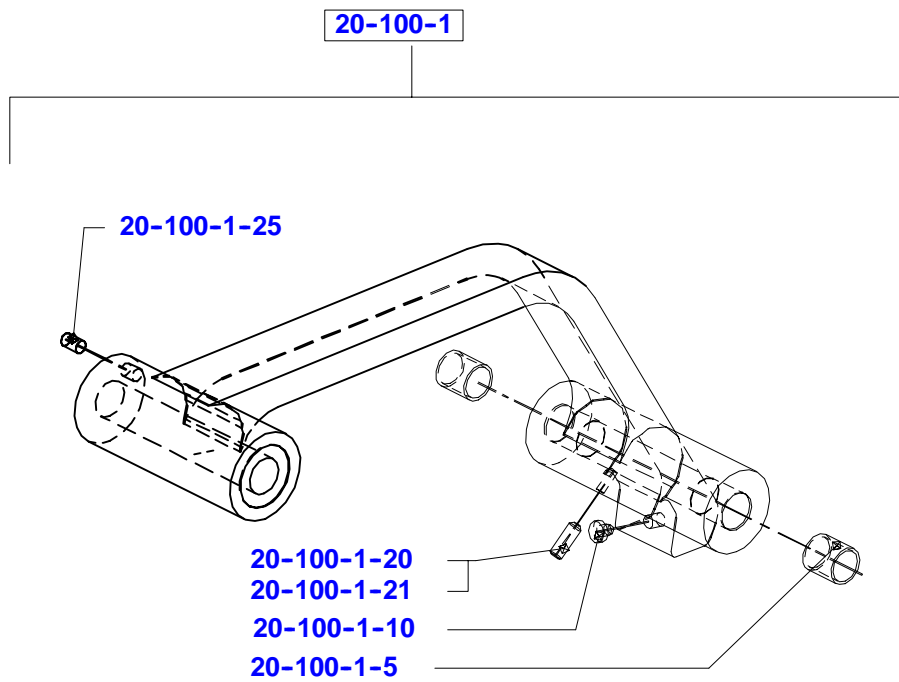
4

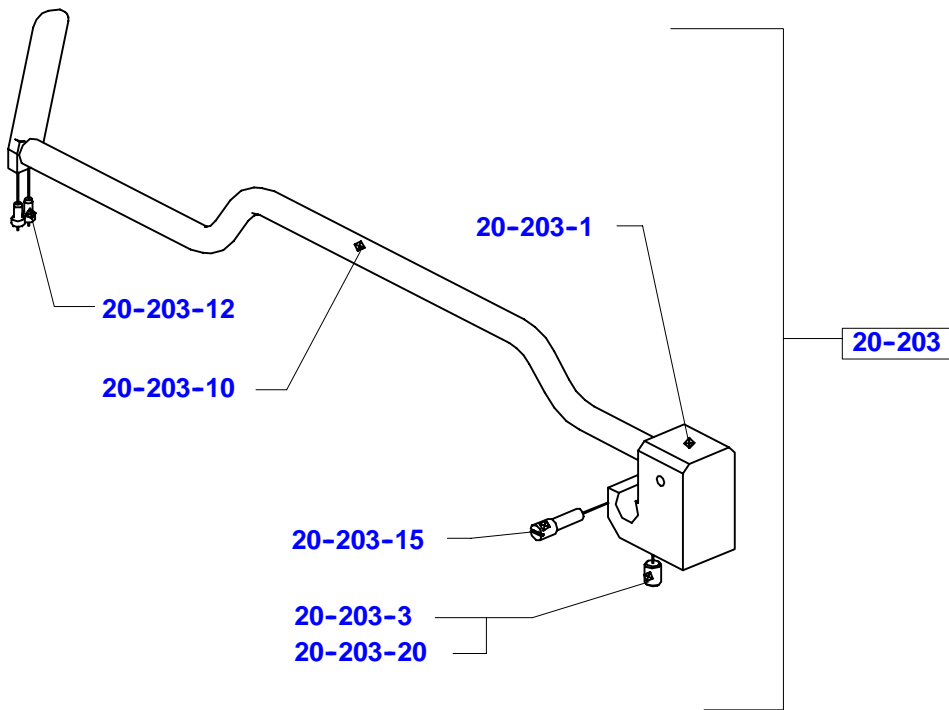
Pos.82 nach Bedarf

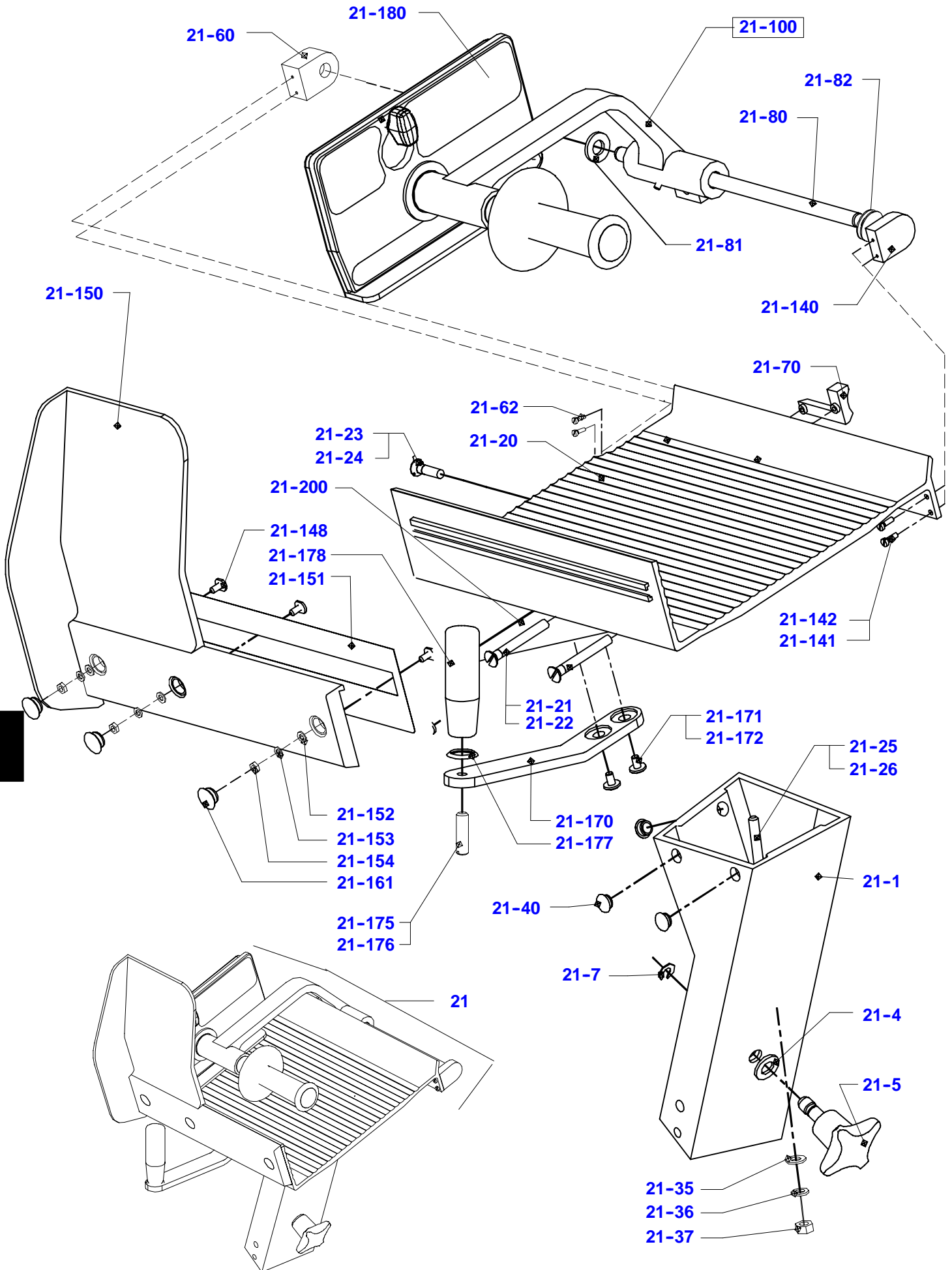




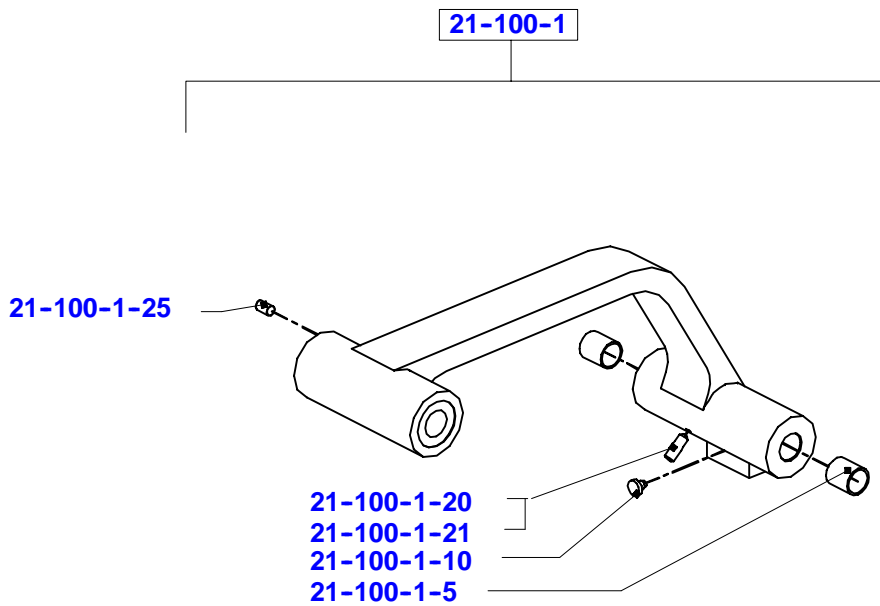
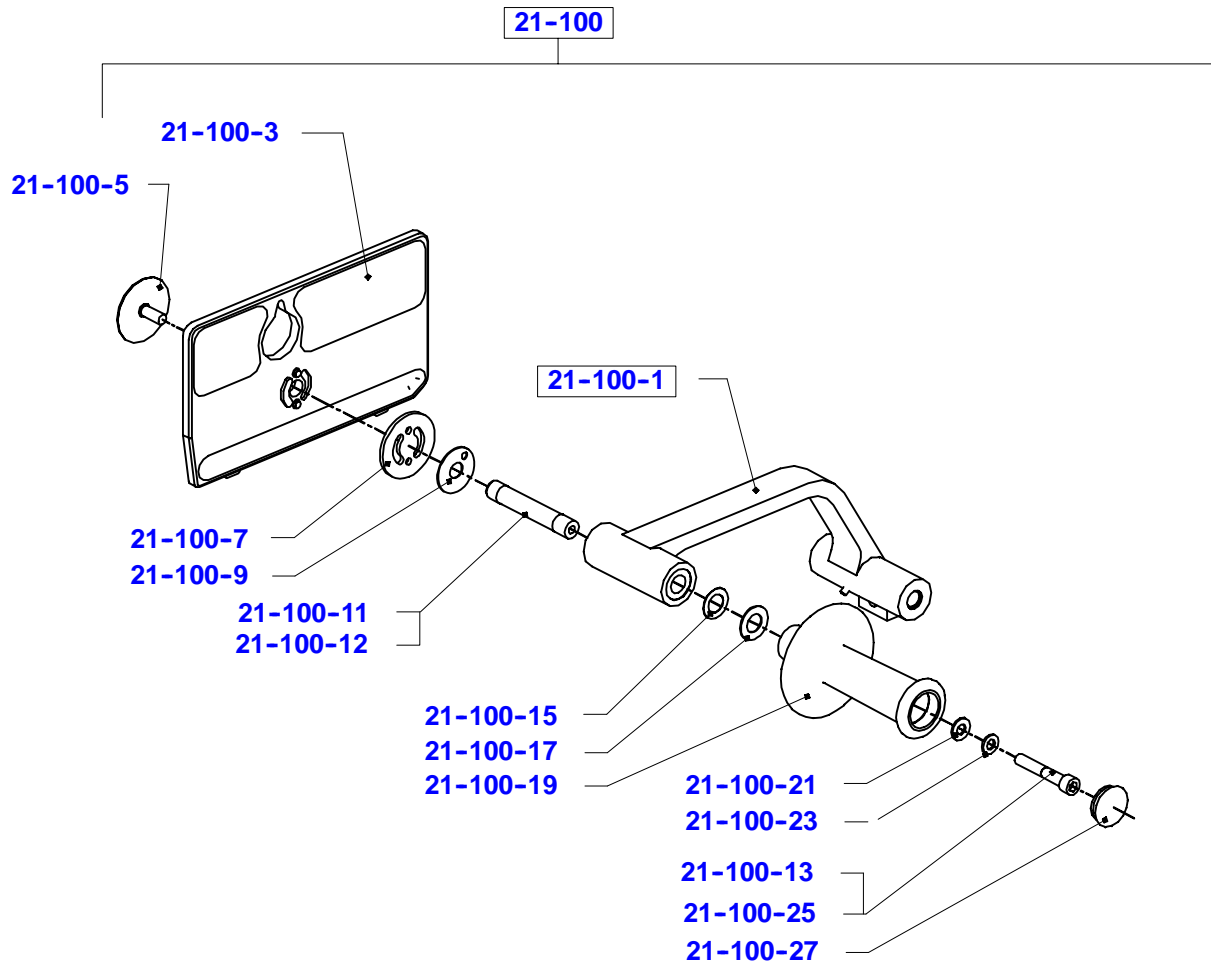
4

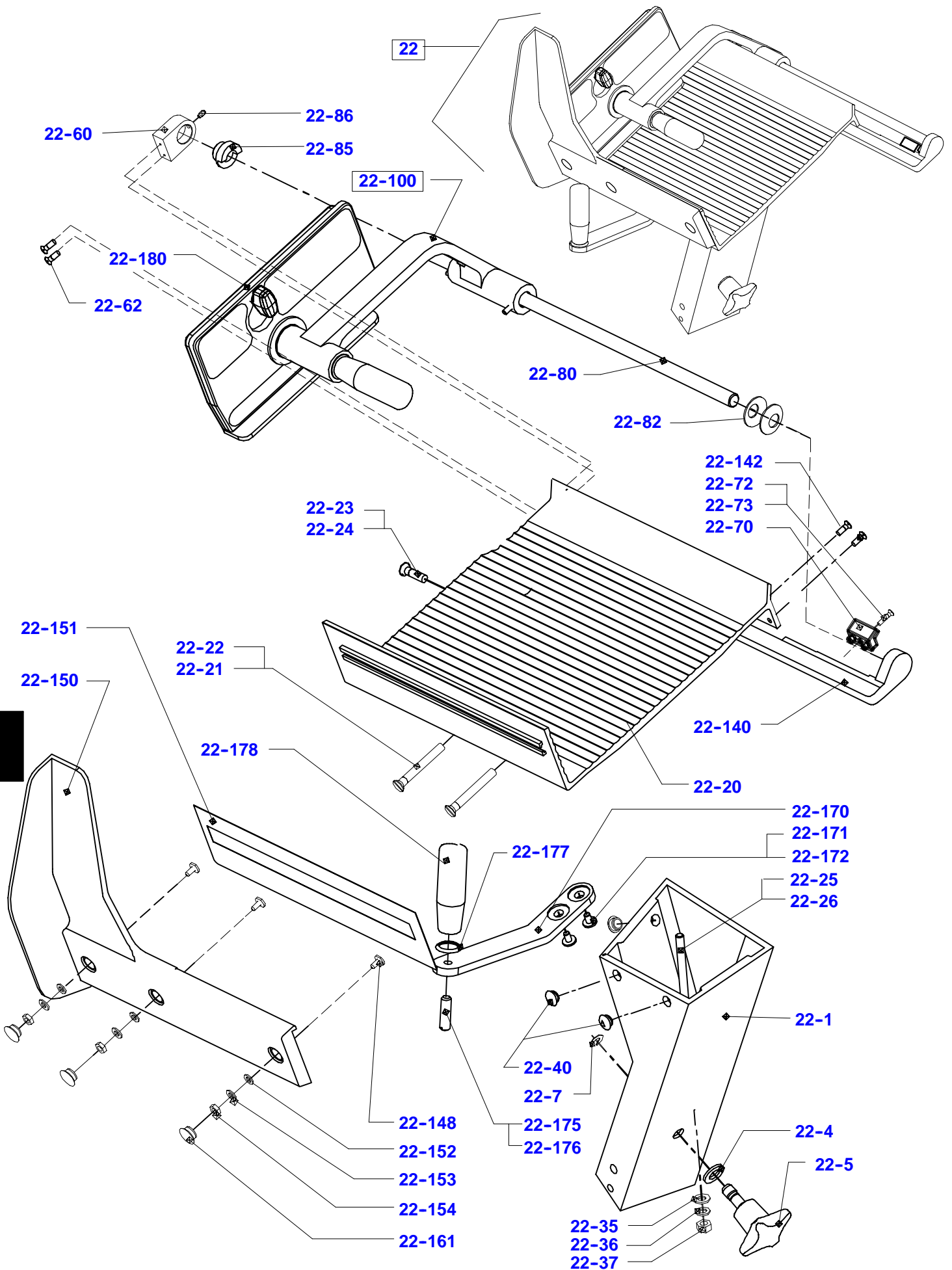




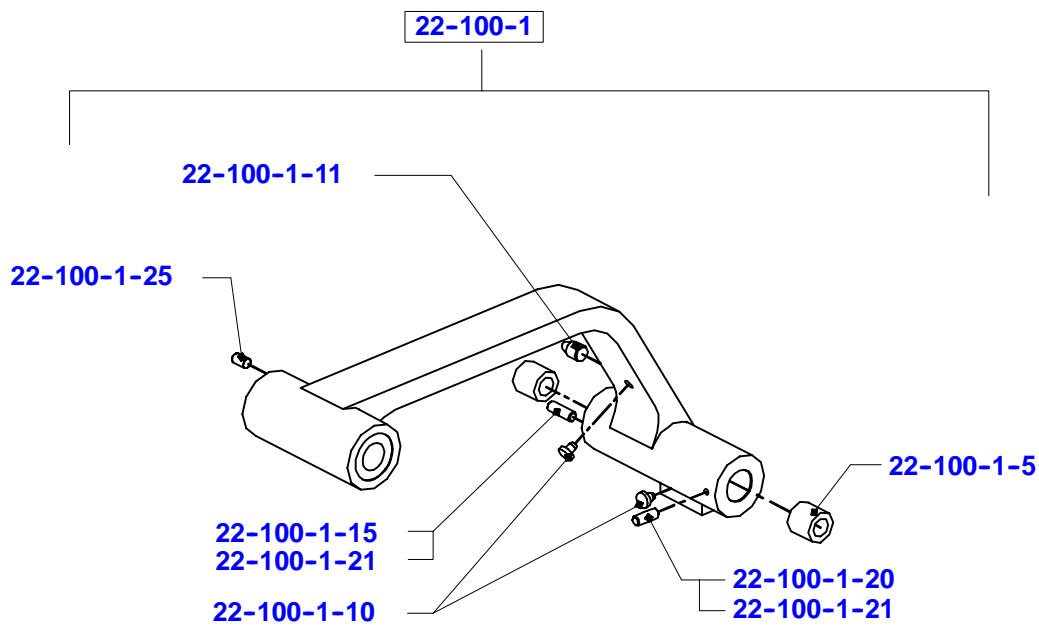
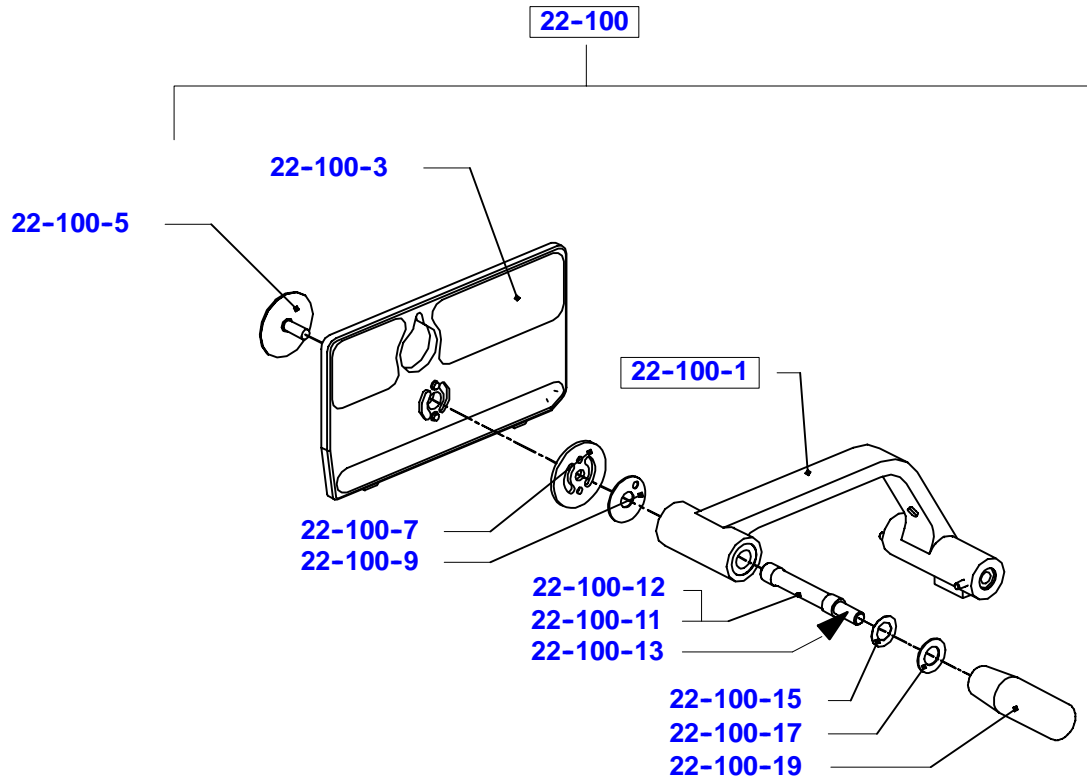


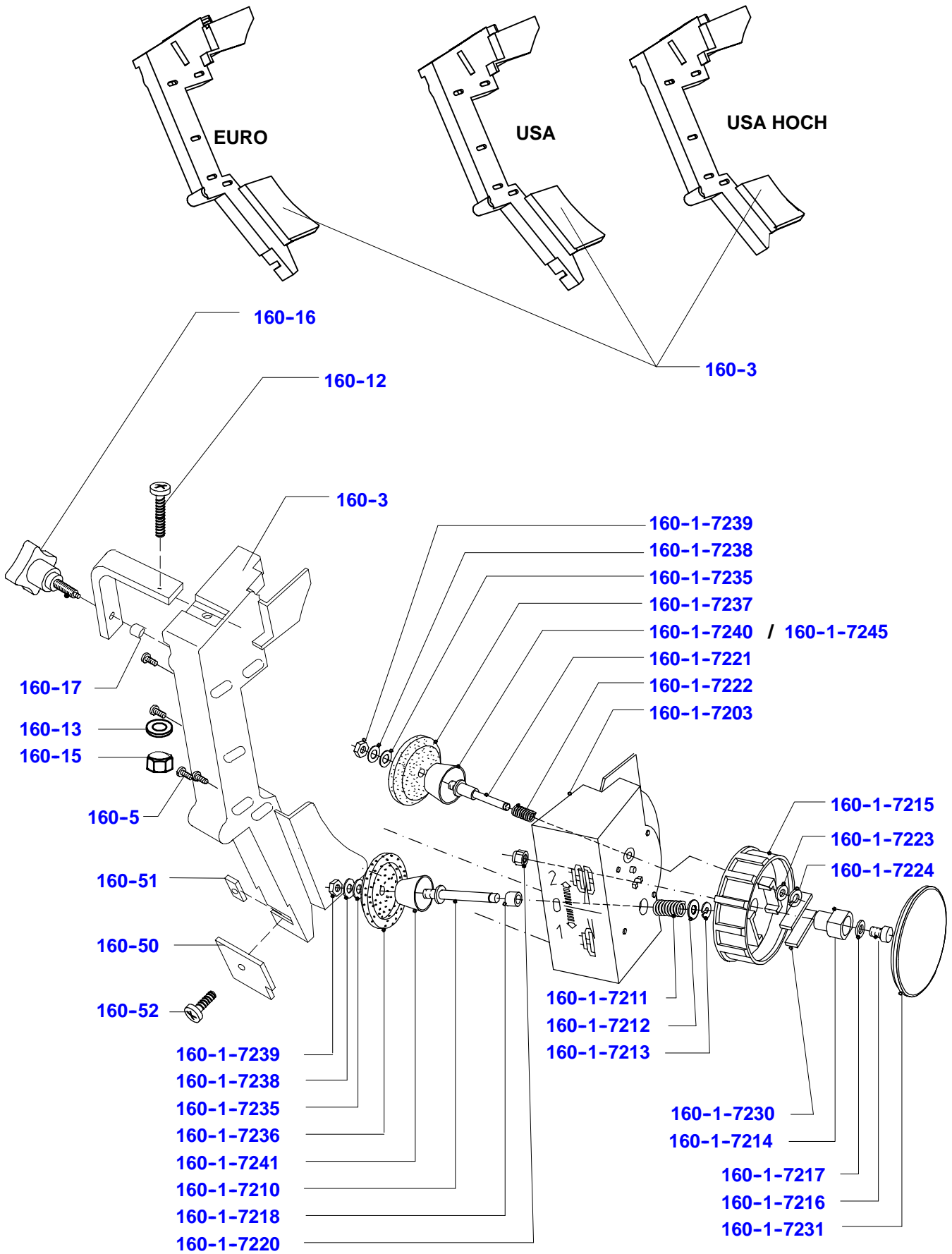
4





4





4

Device series (code No.) 90.032	Spare parts list No. 037.98.3.1001	Lang. E	SE 12	Textpage 1
------------------------------------	---------------------------------------	------------	--------------	---------------

No. in drawing	Order No.	Pcs.	Designation	From status.. onwards
x	x	x	x	x
10		001	SLICER COMPL.	
10-1	60370100201	001	MACHINE HOUSING	
10-2	60370103000	001	MOUNTING	
10-3	57442170000	001	COUNTERSUNK SCREW M 6X20	
10-5	95972840000	000	SCREW SEALING ADHES. 50ML LOCTITE 648	
10-10	60370103100	001	SUPPORT	
10-11	57345200000	002	HEXAGON SCREW M 5X20	
10-12	56735530000	002	WASHER A 5.3	
10-13	57766050000	002	SPRING WASHER A 5	
10-14	60370103200	001	SEALING	
10-20	60370103300	001	BLADE BEARING PREASSEMBLED	
10-20-1	60370112600	001	BEARING BUSHING	
10-20-2	56362680000	002	GROOVED BALL BEARING 6006 RS1Z	
10-20-3	60370103900	001	SPACER RING	
10-20-4	50282370000	002	CUP SPRING 54.5 X40.5X0.45	
10-20-5	60370103600	001	SECURING RING	
10-20-6	57623120000	004	COUNTERSUNK SCREW M 4X12	
10-20-7	60370103800	001	BLADE SHAFT	
10-20-8	50001190000	001	BUSHING 18X20X15	
10-20-9	56395340000	001	W-SEALING RING INA G 18X24X 3	
10-24	57736250000	004	CHEESE-HEAD SCREW M 6X25	
10-25	57766060000	004	SPRING WASHER A 6	
10-26	56735640000	004	WASHER A 6.4	
10-27	60370104200	001	SEALING RING	
10-28	60370104100	001	BELT PULLEY	
10-29	60370104300	001	NUT	
10-31	60370104700	001	SPACER SLEEVE LONG	
10-32	56764050000	001	WASHER 5.3	
10-33	57766040000	001	SPRING WASHER A 4	
10-34	56455400000	001	HEXAGON NUT M 4	
10-36	60370104800	001	SPACER SLEEVE SHORT	
10-37	56764050000	001	WASHER 5.3	
10-38	57766040000	001	SPRING WASHER A 4	
10-39	57429350000	001	HEXAGON SCREW M 4X35	
10-40	60370104900	002	SEALING	
10-41	95972950000	001	SCREW SEALING ADHESIVE 50ML LOCTIT.243	
10-45	57735200000	001	CHEESE-HEAD SCREW M 5X20	
10-47	60223506301	001	COVER	

Bitte unbedingt 11 stellige **BESTELL-Nr.** angeben
Please always indicate 11 digit **Order No.**
Absolument nécessaire d'indiquer **No. de commande** (11 chiffres)
Favorisca specificarci sempre il **N. di ordine** a 11 cifre
Es imprescindible que citen el **"No. de pedido** (11 guarismos)

Textpage 2	SE 12	Lang. E	Spare parts list No. 037.98.3.1001	Device series (code No.) 90.032
---------------	--------------	------------	---------------------------------------	------------------------------------

No. in drawing	Order No.	Pcs.	Designation	From status.. onwards
X	X	X	X	X
10-60	60370100300	001	CARRIAGE GUIDE COMPL.	
10-60-1	60370100401	001	CARRIAGE GUIDE PREASSEMBLED	
10-60-1-1	60370100601	001	CARRIAGE GUIDE	
10-60-1-2	60370100700	001	ROLLER MOUNTING, PREASSEMBLED	
10-60-1-2-1	60370100800	001	ROLLER MOUNTING	
10-60-1-2-2	60370100900	001	BEARING BOLT	
10-60-1-2-3	40220102500	001	ROLLER	
10-60-1-2-4	57750800000	001	LOCK WASHER 8	
10-60-1-2-5	50383650000	001	BUFFER WITH PILOT NO.3184	
10-60-1-2-6	95972850000	000	SCREW SEALING ADHESIVE 50ML LOCTITE 242	
10-60-1-6	57737250000	001	CHEESE-HEAD SCREW M 8X25	
10-60-1-7	56735840000	001	WASHER A 8.4	
10-60-1-8	57766080000	001	SPRING WASHER A 8	
10-60-1-10	60530300066	002	FELT RING 25.5	
10-60-1-11	60530300067	002	WASHER 26	
10-60-1-12	50001020000	002	BUSHING 25X28X30	
10-60-1-16	57432200000	001	HEXAGON SCREW M 8X20	
10-60-1-21	56980720000	001	PAN HEAD SCREW M 5X 4	
10-60-1-22	56453290000	001	THREADED INSERT STANDARD M 12X9	
10-60-1-23	56044800000	001	THREADED PIN M 8X35	
10-60-1-24	56455800000	001	HEXAGON NUT M 8	
10-60-1-28	95972950000	000	SCREW SEALING ADHESIVE 50ML LOCTIT.243	
10-60-1-30	60370112800	001	FELT STRIP	
10-60-1-31	96055040000	000	OIL ISOFLEX TOPAS NB 5051	
10-60-1-32	60370102301	001	COVER	
10-60-1-33	56808430000	002	SELF-TAPPING SCREW CM4X 8	
10-60-1-48	60370102700	001	TORSION SPRING	
10-60-1-50	60370102800	001	STOP	
10-60-1-52	60370102900	001	SHIM	
10-60-1-56	57736160000	002	CHEESE-HEAD SCREW M 6X16	
10-60-1-58	57766060000	002	SPRING WASHER A 6	
10-60-5	60370102000	001	CARRIAGE SHAFT PREASSEMBLED	
10-60-5-1	60370102100	001	CARRIAGE SHAFT	
10-60-5-2	60370102600	001	STOP RING	
10-60-5-5	60370113200	001	LEVER, PREASSEMBLED	
10-60-5-10	95972950000	000	SCREW SEALING ADHESIVE 50ML LOCTIT.243	
10-60-6	60370102400	001	SHOCK ABSORBER	
10-60-7	60370102500	001	SHOCK ABSORBER SLEEVE	
10-60-8	60370107000	001	BUFFER DISK	

4

Bitte unbedingt 11 stellige **BESTELL-Nr.** angeben
Please always indicate 11 digit **Order No.**
Absolument nécessaire d'indiquer **No. de commande** (11 chiffres)
Favorisca specificarci sempre il **N. di ordine** a 11 cifre
Es imprescindible que citen el **"No. de pedido** (11 guarismos)

Device series (code No.) 90.032	Spare parts list No. 037.98.3.1001	Lang. E	SE 12	Textpage 3
------------------------------------	---------------------------------------	------------	--------------	---------------

No. in drawing	Order No.	Pcs.	Designation	From status.. onwards
x	x	x	x	x
10-61	50001690000	002	CUP SPRING 21.8 X12.3X0.25	
10-62	60370101900	002	SCREW	
10-63	95972950000	000	SCREW SEALING ADHESIVE 50ML LOCTIT.243	
10-64	60370101800	002	COVER	
10-85	60370114000	001	RIBBED V-BELT J10-406	
10-86	40110000099	002	WASHER 6.5	
10-87	56764060000	002	WASHER 6.4	
10-88	57736350000	002	CHEESE-HEAD SCREW M 6X35	
10-89	57766060000	002	SPRING WASHER A 6	
10-90	60370107300	001	SPACER, PREASSEMBLED	
10-91	60370107500	001	SPACER RING	
10-92	60370104400	001	BLADE SHAFT	
10-93	56470870000	001	HEXAGON NUT FLAT BM 16X1.5	
10-95	60370109600	001	BRAKE PULLEY	
10-97	60370109700	001	TIGHTENING NUT	
10-98	60370107100	001	GUIDE RAIL	
10-99	60610000124	004	RUBBER FOOT	
10-100	57743520000	002	CHEESE-HEAD SCREW M 6X70	
10-101	57743440000	004	CHEESE-HEAD SCREW M 6X25	
10-103	60370107600	002	DISTANCE COLLAR	
10-105	60370112701	001	COVER 2 PARTS	
10-106	56808430000	004	SELF-TAPPING SCREW CM4X 8	
10-109	57736250000	002	CHEESE-HEAD SCREW M 6X25	
10-110	57766060000	002	SPRING WASHER A 6	
10-111	57630620000	004	COUNTERSUNK SCREW M 6X12	
10-200	60370105600	001	GROOVED CAM	
10-202	60370105700	001	ROTARY KNOB SHAFT	
10-208	56805530000	001	OVAL-HEAD SCREW M 5X12	
10-209	95972840000	001	SCREW SEALING ADHESIVE 50ML LOCTITE 648	
10-210	60370105800	001	WASHER	
10-215	57920040000	001	SETTING RING A18 PIN DIN 916	
10-220	60270101300	001	CHART SEALING RING	
10-221	57775550000	001	CIRCLIP 55X2	
10-222	60223501600	001	ROTARY KNOB COMPL.	
10-222-48	40223501700	001	CHART	
10-222-49	40220105001	001	ROTARY KNOB	
10-222-50	56972480000	002	OVAL-HEAD SCREW M 4X 8	
10-224	56922570000	001	COUNTERSUNK SCREW M 5X25	

Textpage 4	SE 12	Lang. E	Spare parts list No. 037.98.3.1001	Device series (code No.) 90.032
---------------	--------------	------------	---------------------------------------	------------------------------------

No. in drawing	Order No.	Pcs.	Designation	From status.. onwards
X	X	X	X	X
10-240	60370101700	001	BEARING BRACKET PREASSEMBLED	
10-240-1	60370101600	001	BEARING BRACKET	
10-240-10	57736300000	002	CHEESE-HEAD SCREW M 6X30	
10-240-12	56400870000	002	LOCK NUT M 6	
10-240-20	50001190000	002	BUSHING 18X20X15	
10-240-22	56150360000	001	PARALLEL PIN HOUSING 8M6X25	
10-240-30	60220110100	002	THREADED PIN	
10-240-32	56083970000	002	THREADED PIN M 6X 8	
10-240-40	60370105900	001	SHAFT	
10-240-42	60370110900	001	PRESSURE SPRING	
10-240-44	57752150000	001	LOCK WASHER 15	
10-240-50	60370106200	001	SUPPORTING PLATE	
10-240-52	56808450000	002	SELF-TAPPING SCREW CM4X16	
10-240-54	56735430000	002	WASHER A 4.3	
10-240-56	57766040000	002	SPRING WASHER A 4	
10-242	56083300000	001	THREADED PIN M 10X40	
10-243	95972840000	001	SCREW SEALING ADHESIVE 50ML LOCTITE 648	
10-244	56443820000	002	HEXAGON NUT FLAT-TYPE BM 10	
10-246	57736200000	001	CHEESE-HEAD SCREW M 6X20	
10-248	57766060000	001	SPRING WASHER A 6	
10-280	60370106100	001	SUPPORTING RAIL	
10-282	57736160000	002	CHEESE-HEAD SCREW M 6X16	
10-284	57766060000	002	SPRING WASHER A 6	
10-302	60370110800	002	THREADED PIN	
10-303	95972840000	001	SCREW SEALING ADHESIVE 50ML LOCTITE 648	
10-311	56737100000	002	WASHER A 10.5	
10-312	57766100000	002	SPRING WASHER A10	
10-314	56455810000	002	HEXAGON NUT M10	
10-330	60370106300	001	SEALING	
10-360	60370106400	001	ANGLE PLATE	
10-361	60370106500	001	ANGLE PLATE	
10-362	57736120000	004	CHEESE-HEAD SCREW M 6X12	
10-364	57766060000	004	SPRING WASHER A 6	
10-371	60370106600	001	RAIL	
10-372	60370106700	002	BEARING BUSHING	
10-374	50998960000	001	TENSION SPRING RZ-100 FX	
10-396	60370106900	001	SLIDER	
10-397	57736160000	001	CHEESE-HEAD SCREW M 6X16	
10-398	56735640000	001	WASHER A 6.4	
10-399	57766060000	001	SPRING WASHER A 6	

4

Bitte unbedingt 11 stellige **BESTELL-Nr.** angeben
Please always indicate 11 digit **Order No.**
Absolument nécessaire d'indiquer **No. de commande** (11 chiffres)
Favorisca specificarci sempre il **N. di ordine** a 11 cifre
Es imprescindible que citen el **"No. de pedido** (11 guarismos)

Device series (code No.) 90.032	Spare parts list No. 037.98.3.1001	Lang. E	SE 12	Textpage 5
------------------------------------	---------------------------------------	------------	--------------	---------------

No. in drawing	Order No.	Pcs.	Designation	From status.. onwards
X	X	X	X	X
10-451	60660011800	005	SPACER SLEEVE	
10-452	50281080000	010	CUP SPRING 12 X 4.2X0.6	
10-453	60666401100	002	THRUST WASHER FK23	
10-454	60276401100	002	DISTANCE WASHER VS7/A	
10-455	50003680000	001	O-SEAL OR 20X1.0	
10-457	57758400000	005	TOOTHED LOCK WASHER A 4.3	
10-458	56456400000	005	HEXAGON NUT M 4	
10-465	56809040000	002	SELF-TAPPING SCREW MM4X10	
10-466	56735440000	002	WASHER A 4.3	
10-467	57758400000	004	TOOTHED LOCK WASHER A 4.3	
10-470	60370113500	001	METAL PLATE FOR CABLE INLET, WELDERED	
10-471	56805440000	002	OVAL-HEAD SCREW M 4X12	
10-472	56764040000	002	WASHER 4.3	
10-474	71010630000	001	SCREW COUPLING ST13.5 UL53015030	
10-475	71011620000	001	SCREW COUPLING ST11 UL53015020	
10-480	60370109501	001	SWITCH COVER	
10-481	56972500000	004	OVAL-HEAD SCREW M 4X12	
10-482	56735430000	004	WASHER A 4.3	
10-483	60350402001	003	PROTECTIVE PLUG 16.2 KNURLED	
10-485	60370108000	001	BLADE COVER PREASSEMBLED	
10-485-2	60270108300	001	SQUARE BOLT	
10-485-3	95972840000	001	SCREW SEALING ADHESIVE 50ML LOCTITE 648	
10-485-4	57630530000	002	COUNTERSUNK SCREW M 5X12	
10-485-5	56084040000	001	BRACKET HANDLE GN 425 100 NI	
10-485-6	95972950000	001	SCREW SEALING ADHESIVE 50ML LOCTIT.243	
10-486	60370112500	001	THREE-SQUARE KNOB. PREASSEMBLED	
10-490	60370112100	001	DEFLECTOR	
10-491	50001491000	001	CUP SPRING B 12 X 6.2X0.5	
10-492	60370114500	001	COLLAR SCREW	
10-502	60370108700	001	SHAFT	
10-503	56083980000	001	THREADED PIN M 6X12	
10-510	60370108900	001	LOCKING SLIDER. COMPL.	
10-510-5	71232840000	003	SHRINK SLEEVE UL GR 64	
10-512	60370110700	001	BEARING BOLT	
10-514	00610300005	001	WASHER 8.2	
10-516	57750600000	001	LOCK WASHER 6	
10-600	51469200000	001	BIZERBA LOGO	

Textpage 6	SE 12	Lang. E	Spare parts list No. 037.98.3.1001	Device series (code No.) 90.032
---------------	--------------	------------	---------------------------------------	------------------------------------

No. in drawing	Order No.	Pcs.	Designation	From status.. onwards
X	X	X	X	X
20	60370200001	001	CARRIAGE HORIZONTAL CEN	
20-1	60370200200	001	CARRIAGE FOOT	
20-4	56768100000	001	WASHER A 13	
20-5	60224611800	001	STAR KNOB COMPL.	
20-5-1	60220400500	001	THREADED BOLT	
20-5-3	56087070000	001	STAR KNOB K 63 M12	
20-5-5	95972840000	000	SCREW SEALING ADHESIVE 50ML LOCTITE 648	
20-7	57753800000	001	LOCK WASHER 8	
20-20	60370203600	001	CARRIAGE PLATE PREASSEMBLED	
20-21	57440490000	002	COUNTERSUNK SCREW M 8X60	
20-22	95972950000	000	SCREW SEALING ADHESIVE 50ML LOCTIT.243	
20-23	57440460000	001	COUNTERSUNK SCREW M 8X25	
20-24	95972950000	000	SCREW SEALING ADHESIVE 50ML LOCTIT.243	
20-25	60370200400	001	THREADED ROD	
20-26	95972840000	000	SCREW SEALING ADHESIVE 50ML LOCTITE 648	
20-35	56765070000	001	WASHER 8.4	
20-36	57767080000	001	SPRING WASHER A 8	
20-37	56456800000	001	HEXAGON NUT M 8	
20-40	40220000201	003	PROTECTIVE PLUG 12.2 KNURLED	
20-60	60370200600	001	BEARING PEDESTAL	
20-61	95972840000	000	SCREW SEALING ADHESIVE 50ML LOCTITE 648	
20-62	56972500000	002	OVAL-HEAD SCREW M 4X12	
20-70	60370201100	001	STOP	
20-71	95972840000	000	SCREW SEALING ADHESIVE 50ML LOCTITE 648	
20-72	56972480000	002	OVAL-HEAD SCREW M 4X 8	
20-80	60370200900	001	GUIDING SHAFT	
20-81	40110201007	001	SHOCK ABSORBER THICKNESS 3	
20-82	50001510000	001	CUP SPRING 11 X 6.2X0.3	

4

Bitte unbedingt 11 stellige **BESTELL-Nr.** angeben
Please always indicate 11 digit **Order No.**
Absolument nécessaire d'indiquer **No. de commande** (11 chiffres)
Favorisca specificarci sempre il **N. di ordine** a 11 cifre
Es imprescindible que citen el "**No. de pedido**" (11 guarismos)

Device series (code No.) 90.032	Spare parts list No. 037.98.3.1001	Lang. E	SE 12	Textpage 7
------------------------------------	---------------------------------------	------------	--------------	---------------

No. in drawing	Order No.	Pcs.	Designation	From status.. onwards
x	x	x	x	x
20-100	60370203100	001	SLIDER PROTECTING DEVICE + LEVER	
20-100-1	60370201200	001	LEVER, PREASSEMBLED	
20-100-1-5	50001160000	002	BUSHING 12X14X15	
20-100-1-10	40300900005	001	BOLT 8X 2	
20-100-1-20	60370401500	001	BOLT	
20-100-1-21	95972950000	000	SCREW SEALING ADHESIVE 50ML LOCTIT.243	
20-100-1-25	56359410000	001	PARALLEL NOTCHED PIN 5 X 8	
20-100-3	60370203200	001	SLIDER PROTECTING DEVICE	
20-100-5	60270201800	001	WASHER WITH BOLT	
20-100-7	60220401600	001	LOCK WASHER	
20-100-9	60220403800	001	WASHER	
20-100-11	60370202000	001	SHAFT	
20-100-12	96000040000	000	GREASE POLYLUB GA 352 P	
20-100-13	95972950000	000	SCREW SEALING ADHESIVE 50ML LOCTIT.243	
20-100-15	50001540000	001	CUP SPRING 23.7 X14.3X0.3	
20-100-17	60352302300	001	THRUST WASHER	
20-100-19	60353801401	001	HANDLE	
20-100-21	56739080000	001	WASHER A 8.4	
20-100-23	57767080000	001	SPRING WASHER A 8	
20-100-25	57743740000	001	CHEESE-HEAD SCREW M 8X50	
20-100-27	40220000801	001	PROTECTIVE PLUG 27.2 KNURLED	
20-140	60370200800	001	BEARING PEDESTAL	
20-141	95972840000	000	SCREW SEALING ADHESIVE 50ML LOCTITE 648	
20-142	56972500000	002	OVAL-HEAD SCREW M 4X12	
20-150	60353602700	001	REAR WALL	
20-151	60353602800	001	ADHESIVE FOIL	
20-152	56764040000	002	WASHER 4.3	
20-153	57766040000	004	SPRING WASHER A 4	
20-154	56455400000	004	HEXAGON NUT M 4	
20-160	60260208900	001	SHIELD COMPL.	
20-161	40220000201	002	PROTECTIVE PLUG 12.2 KNURLED	
20-170	60370303500	001	BAR	
20-171	56972770000	002	OVAL-HEAD SCREW M 6X10	
20-172	95972840000	000	SCREW SEALING ADHESIVE 50ML LOCTITE 648	
20-175	56046530000	001	THREADED PIN M 10X35	
20-176	95972840000	000	SCREW SEALING ADHESIVE 50ML LOCTITE 648	
20-177	60370203400	001	SEALING	
20-178	56086100000	001	CYLINDRICAL HANDLE GN519 28 M10	
20-180	60220401706	001	REMNANT HOLDER COMPL.	
20-200	56008200000	002	THREADED BOLT FHS-M 4X12	
20-201	60274600400	002	ROUND NUT	
20-202	60370202400	001	GUIDE BAR	
20-203	60370202600	001	PRODUCT FIXATION DEVICE	
20-203-1	60370202500	001	SLIDER	
20-203-3	56047610000	001	THREADED PIN M 6X 8	
20-203-10	60370202900	001	RULER. WELDED	
20-203-12	60380402200	002	SLIDE PIN	
20-203-15	56070550000	001	THREADED PIN M6 X 7.5 X 13.5	
20-203-20	95972950000	000	SCREW SEALING ADHESIVE 50ML LOCTIT.243	

Bitte unbedingt 11 stellige **BESTELL-Nr.** angeben
Please always indicate 11 digit **Order No.**
Absolument nécessaire d'indiquer **No. de commande** (11 chiffres)
Favorisca specificarci sempre il **N. di ordine** a 11 cifre
Es imprescindible que citen el **"No. de pedido** (11 guarismos)

Textpage 8	SE 12	Lang. E	Spare parts list No. 037.98.3.1001	Device series (code No.) 90.032
---------------	--------------	------------	---------------------------------------	------------------------------------

No. in drawing	Order No.	Pcs.	Designation	From status.. onwards
X	X	X	X	X
21	60370300001	001	CARRIAGE INCLINATION 18 DEGREES CEN	
21-1	60370300200	001	CARRIAGE FOOT 18 DEGREES	
21-4	56768100000	001	WASHER A 13	
21-5	60224611800	001	STAR KNOB COMPL.	
21-5-1	60220400500	001	THREADED BOLT	
21-5-3	56087070000	001	STAR KNOB K 63 M12	
21-5-5	95972840000	000	SCREW SEALING ADHESIVE 50ML LOCTITE 648	
21-7	57753800000	001	LOCK WASHER 8	
21-20	60370303600	001	CARRIAGE PLATE PREASSEMBLED	
21-21	57440490000	002	COUNTERSUNK SCREW M 8X60	
21-22	95972950000	000	SCREW SEALING ADHESIVE 50ML LOCTIT.243	
21-23	57440460000	001	COUNTERSUNK SCREW M 8X25	
21-24	95972950000	000	SCREW SEALING ADHESIVE 50ML LOCTIT.243	
21-25	60370300400	001	THREADED ROD	
21-26	95972840000	000	SCREW SEALING ADHESIVE 50ML LOCTITE 648	
21-35	56765070000	001	WASHER 8.4	
21-36	57767080000	001	SPRING WASHER A 8	
21-37	56456800000	001	HEXAGON NUT M 8	
21-40	40220000201	003	PROTECTIVE PLUG 12.2 KNURLED	
21-60	60370200600	001	BEARING PEDESTAL	
21-61	95972840000	000	SCREW SEALING ADHESIVE 50ML LOCTITE 648	
21-62	56972500000	002	OVAL-HEAD SCREW M 4X12	
21-70	60370201100	001	STOP	
21-71	95972840000	000	SCREW SEALING ADHESIVE 50ML LOCTITE 648	
21-72	56972480000	002	OVAL-HEAD SCREW M 4X 8	
21-80	60370300900	001	GUIDING SHAFT	
21-81	40110201007	001	SHOCK ABSORBER THICKNESS 3	
21-82	50001510000	001	CUP SPRING 11 X 6.2X0.3	

4

Bitte unbedingt 11 stellige **BESTELL-Nr.** angeben
Please always indicate 11 digit **Order No.**
Absolument nécessaire d'indiquer **No. de commande** (11 chiffres)
Favorisca specificarci sempre il **N. di ordine** a 11 cifre
Es imprescindible que citen el "**No. de pedido**" (11 guarismos)

Device series (code No.) 90.032	Spare parts list No. 037.98.3.1001	Lang. E	SE 12	Textpage 9
------------------------------------	---------------------------------------	------------	--------------	---------------

No. in drawing	Order No.	Pcs.	Designation	From status.. onwards
x	x	x	x	x
21-100	60370303100	001	SLIDER PROTECTING DEVICE + LEVER	
21-100-1	60370301200	001	LEVER, PREASSEMBLED 18 DEGREES	
21-100-1-5	50001160000	002	BUSHING 12X14X15	
21-100-1-10	40300900005	001	BOLT 8X 2	
21-100-1-20	60370401500	001	BOLT	
21-100-1-21	95972950000	000	SCREW SEALING ADHESIVE 50ML LOCTIT.243	
21-100-1-25	56359410000	001	PARALLEL NOTCHED PIN 5 X 8	
21-100-3	60370203200	001	SLIDER PROTECTING DEVICE	
21-100-5	60270201800	001	WASHER WITH BOLT	
21-100-7	60220401600	001	LOCK WASHER	
21-100-9	60220403800	001	WASHER	
21-100-11	60370202000	001	SHAFT	
21-100-12	96000040000	000	GREASE POLYLUB GA 352 P	
21-100-13	95972950000	000	SCREW SEALING ADHESIVE 50ML LOCTIT.243	
21-100-15	50001540000	001	CUP SPRING 23.7 X14.3X0.3	
21-100-17	60352302300	001	THRUST WASHER	
21-100-19	60353801401	001	HANDLE	
21-100-21	56739080000	001	WASHER A 8.4	
21-100-23	57767080000	001	SPRING WASHER A 8	
21-100-25	57743740000	001	CHEESE-HEAD SCREW M 8X50	
21-100-27	40220000801	001	PROTECTIVE PLUG 27.2 KNURLED	
21-140	60370200800	001	BEARING PEDESTAL	
21-141	95972840000	000	SCREW SEALING ADHESIVE 50ML LOCTITE 648	
21-142	56972500000	002	OVAL-HEAD SCREW M 4X12	
21-148	60370401900	003	SCREW	
21-150	60370302100	001	REAR WALL BROAD	
21-151	60370402000	001	ADHESIVE FOIL	
21-152	56735530000	003	WASHER A 5.3	
21-153	57766050000	003	SPRING WASHER A 5	
21-154	56443500000	003	HEXAGON NUT FLAT-TYPE BM 5	
21-161	60370402200	003	PROTECTIVE PLUG	
21-170	60370303500	001	BAR	
21-171	56972770000	002	OVAL-HEAD SCREW M 6X10	
21-172	95972840000	000	SCREW SEALING ADHESIVE 50ML LOCTITE 648	
21-175	56046530000	001	THREADED PIN M 10X35	
21-176	95972840000	000	SCREW SEALING ADHESIVE 50ML LOCTITE 648	
21-177	60370203400	001	SEALING	
21-178	56086100000	001	CYLINDRICAL HANDLE GN519 28 M10	
21-180	60220401706	001	REMNANT HOLDER COMPL.	
21-200	60380402400	001	PROTECTIVE PLATE	

Textpage 10	SE 12	Lang. E	Spare parts list No. 037.98.3.1001	Device series (code No.) 90.032
----------------	--------------	------------	---------------------------------------	------------------------------------

No. in drawing	Order No.	Pcs.	Designation	From status.. onwards
X	X	X	X	X
22	60370400001 60370500000	001 001	CARRIAGE INCLINATION 25 DEGREES CARRIAGE INCLINATION 25 DEGR. USA +30 USA HIGH DESIGN VERSION	
22-1	60370400200 60370500200	001 001	CARRIAGE FOOT CARRIAGE FOOT USA, HIGH DESIGN VERSION	
22-4	56768100000	001	WASHER A 13	
22-5	60224611800	001	STAR KNOB COMPL.	
22-5-1	60220400500	001	THREADED BOLT	
22-5-3	56087070000	001	STAR KNOB K 63 M12	
22-5-5	95972840000	000	SCREW SEALING ADHESIVE 50ML LOCTITE 648	
22-7	57753800000	001	LOCK WASHER 8	
22-20	60370403600 60370503600	001 001	CARRIAGE PLATE PREASSEMBLED CARRIAGE PLATE PREASSEMBLED USA, HIGH DESIGN VERSION	
22-21	57440490000	002	COUNTERSUNK SCREW M 8X60	
22-22	95972950000	000	SCREW SEALING ADHESIVE 50ML LOCTIT.243	
22-23	57440460000	001	COUNTERSUNK SCREW M 8X25	
22-24	95972950000	000	SCREW SEALING ADHESIVE 50ML LOCTIT.243	
22-25	60370400400 60370500400	001 001	THREADED ROD THREADED ROD USA, HIGH DESIGN VERSION	
22-26	95972840000	000	SCREW SEALING ADHESIVE 50ML LOCTITE 648	
22-35	56765070000	001	WASHER 8.4	
22-36	57767080000	001	SPRING WASHER A 8	
22-37	56456800000	001	HEXAGON NUT M 8	
22-40	40220000201	003	PROTECTIVE PLUG 12.2 KNURLED	
22-60	60370400600	001	BEARING PEDESTAL	
22-61	95972840000	000	SCREW SEALING ADHESIVE 50ML LOCTITE 648	
22-62	56972500000	002	OVAL-HEAD SCREW M 4X12	
22-70	60370401100	001	STOP	
22-72	57630450000	001	COUNTERSUNK SCREW M 4X16	
22-73	95972950000	000	SCREW SEALING ADHESIVE 50ML LOCTIT.243	
22-80	60370400900	001	GUIDING SHAFT	
22-82	50001510000	001	CUP SPRING 11 X 6.2X0.3	
22-85	60370403400	001	BEARING BUSHING	
22-86	56327280000	001	NOTCHED PIN 4 X 8	

4

Bitte unbedingt 11 stellige **BESTELL-Nr.** angeben
Please always indicate 11 digit **Order No.**
Absolument nécessaire d'indiquer **No. de commande** (11 chiffres)
Favorisca specificarci sempre il **N. di ordine** a 11 cifre
Es imprescindible que citen el "**No. de pedido**" (11 guarismos)

Device series (code No.) 90.032	Spare parts list No. 037.98.3.1001	Lang. E	SE 12	Textpage 11
------------------------------------	---------------------------------------	------------	--------------	----------------

No. in drawing	Order No.	Pcs.	Designation	From status.. onwards
x	x	x	x	x
22-100	60370403100	001	SLIDER PROTECTING DEVICE + LEVER	
22-100-1	60370401200	001	LEVER, PREASSEMBLED	
22-100-1-5	50001170000	002	BUSHING 14X16X15	
22-100-1-10	40300900005	002	BOLT 8X 2	
22-100-1-11	60370402900	001	BOLT	
22-100-1-15	60370403300	001	BOLT M 5	
22-100-1-20	60370401500	001	BOLT	
22-100-1-21	95972950000	000	SCREW SEALING ADHESIVE 50ML LOCTIT.243	
22-100-1-25	56359410000	001	PARALLEL NOTCHED PIN 5 X 8	
22-100-3	60370203200	001	SLIDER PROTECTING DEVICE	
22-100-5	60270201800	001	WASHER WITH BOLT	
22-100-7	60220401600	001	LOCK WASHER	
22-100-9	60220403800	001	WASHER	
22-100-11	60370403000	001	BOLT	
22-100-12	96000040000	000	GREASE POLYLUB GA 352 P	
22-100-13	95972950000	000	SCREW SEALING ADHESIVE 50ML LOCTIT.243	
22-100-15	50001540000	001	CUP SPRING 23.7 X14.3X0.3	
22-100-17	60352302300	001	THRUST WASHER	
22-100-19	56086100000	001	CYLINDRICAL HANDLE GN519 28 M10	
22-140	60370402600	001	SUPPORTER	
22-142	57630530000	002	COUNTERSUNK SCREW M 5X12	
22-143	95972950000	000	SCREW SEALING ADHESIVE 50ML LOCTIT.243	
22-148	60370401900	003	SCREW	
22-150	60370402100	001	REAR WALL SMALL	
22-151	60370402000	001	ADHESIVE FOIL	
22-152	56735530000	003	WASHER A 5.3	
22-153	57766050000	003	SPRING WASHER A 5	
22-154	56443500000	003	HEXAGON NUT FLAT-TYPE BM 5	
22-161	60370402200	003	PROTECTIVE PLUG	
22-170	60370403500	001	BAR	
22-171	56972770000	002	OVAL-HEAD SCREW M 6X10	
22-172	95972840000	000	SCREW SEALING ADHESIVE 50ML LOCTITE 648	
22-175	56046530000	001	THREADED PIN M 10X35	
22-176	95972840000	000	SCREW SEALING ADHESIVE 50ML LOCTITE 648	
22-177	60370203400	001	SEALING	
22-178	56086100000	001	CYLINDRICAL HANDLE GN519 28 M10	
22-180	60354301701	001	REMNANT HOLDER COMPL.	

Textpage 12	SE 12	Lang. E	Spare parts list No. 037.98.3.1001	Device series (code No.) 90.032
----------------	--------------	------------	---------------------------------------	------------------------------------

No. in drawing	Order No.	Pcs.	Designation	From status.. onwards
X	X	X	X	X
40	40110047300	001	POWER LEAD EURO	
41	60476200102	001	POWER LEAD CEKON	
41-1	76074180000	002	CABLE H05VV-F5G1.5 5X1.5	
41-3	71473070000	001	PCE ANGLE POLARITY CONVERTER, 5-PIN 7415	
43	40300057700	001	POWER CONNECTING CABLE USA, 120 V	
44	00110038600	001	POWER LEAD WITHOUT PLUG	
50	52022550000	001	MOTOR, AC SRB 1.5/4-A40R AC 230V/ 50 HZ	
51	52022510000	001	MOTOR. THREE-PHASE CURRENT SR 1.5/4-A40R THREE-PHASE CURRENT 230V/400V 50 HZ	
52	52022660000	001	MOTOR, AC SS SRB 1.5/4-A40R AC 120V / 60 HZ	
53	52022590000	001	MOTOR, AC SRB 1.5/4-A40R AC 220V / 60 HZ	
54	52022570000	001	MOTOR, AC SE-8 100V50/60H AC 110 V / 50/60 HZ	
58-20	60220104602	001	EXHAUST AIR HOOD, AT THE TOP	
58-21	40220104701	001	EXHAUST AIR HOOD, AT THE BOTTOM	
58-22	56735430000	003	WASHER A 4.3	
58-23	56805410000	003	OVAL-HEAD SCREW M 4X6	
60	71092130000	001	CAPACITOR MP 6MF 400V	
61	76090090000	001	CAPACITOR MP 20MF 220V	
62	71092490000	001	CAPACITOR MP 25MF 240V	
66	60370113800	001	HOLDING ANGLE	
68	56808430000	001	SELF-TAPPING SCREW CM4X 8	
69	56735430000	001	WASHER A 4.3	
70	60375300103	001	LPB ON-OFF 230V SE 12	
	60375301103	001	LPB ON-OFF 120V SE 12	
70-400	71146030000	001	MINIATURE CONTACTOR 230VAC E3250BV15	
	71146090000	001	MINIATURE CONTACTOR 120VAC E3250BV15	
70-416	71119000000	001	GLOW LAMP 24V 1200110000	
85	60376400200	001	DECO FOIL SE 12 I/O	
	60376400300	001	DECO FOIL ON SE 12 ON/OFF	

Bitte unbedingt 11 stellige **BESTELL-Nr.** angeben
Please always indicate 11 digit **Order No.**
Absolument nécessaire d'indiquer **No. de commande** (11 chiffres)
Favorisca specificarci sempre il **N. di ordine** a 11 cifre
Es imprescindible que citen el **"No. de pedido** (11 guarismos)

Device series (code No.) 90.032	Spare parts list No. 037.98.3.1001	Lang. E	SE 12	Textpage 13
------------------------------------	---------------------------------------	------------	--------------	----------------

No. in drawing	Order No.	Pcs.	Designation	From status.. onwards
X	X	X	X	X
90	60530101500	001	BLADE 330 MM DIAMETER SEE ALSO ITEM 9900	
100-1	60370105100	001	GUARD RING HORIZONTAL	
100-2	60370107800	001	PRODUCT SUPPORTER COMPL.	
100-2-1	60370107900	061	PRODUCT SUPPORTER	
100-2-2	60540101700	001	NUT	
100-2-3	60540101800	001	COVER	
100-2-4	95972840000	000	SCREW SEALING ADHESIVE 50ML LOCTITE 648	
100-3	56972600000	001	OVAL-HEAD SCREW M 5X10	
100-4	56032750000	001	THREADED PIN M 4X75	
100-5	95972850000	000	SCREW SEALING ADHESIVE 50ML LOCTITE 242	
101-2	60370104600	001	GUARD RING 18 DEGREES	
	60370114300	001	GUARD RING 25 DEGREES, HIGH DESIGN VERS.	
101-3	56032750000	001	THREADED PIN M 4X75	
101-4	95972850000	000	SCREW SEALING ADHESIVE 50ML LOCTITE 242	
110	60370105400	001	GAUGE PLATE HORIZONTAL	
111	60370105300	001	GAUGE PLATE INCL.	
	60370114200	001	GAUGE PLATE INCL. USA, HIGH DESIGN VERSION	
122	47509000300	001	REFERENCE PLATE GER	
123	47509000400	001	REFERENCE PLATE ENG	
124	47509000500	001	REFERENCE PLATE FRA	
125	47509000600	001	REFERENCE PLATE ESP	
126	47509000700	001	REFERENCE PLATE ITA	
127	47509001300	001	REFERENCE PLATE DNK	
128	47509010200	001	REFERENCE PLATE PORT	
130	60374800100	001	ADHESIVE CIRCUIT DIAGRAM AC GER SE12	
131	60374800200	001	ADHES. CIRCUIT DIAGRAM 3-PH C. GER SE12	
135	67509009300	001	ADDITIONAL PLATE US SE8 VS8F	
136	67501214700	001	WARNING PLATE USA	
137	67501163700	001	REFERENCE PLATE WARNING INSTRUCTIONS	

Textpage 14	SE 12	Lang. E	Spare parts list No. 037.98.3.1001	Device series (code No.) 90.032
----------------	--------------	------------	---------------------------------------	------------------------------------

No. in drawing	Order No.	Pcs.	Designation	From status.. onwards
X	X	X	X	X
140		001	ACCESSORIES	
140-1	40220003400	001	PROTECTIVE BAG	
140-2	50002830000	001	OIL CAN WITH OIL INGRA W505	
140-2-1	95700910000	000	OIL RENOPAL W505	
140-3	40950000176	001	BRUSH WITH WIPER	
140-4	50002840000	001	MULTI-PURPOSE CLOTH COLOURED 300X300	
140-5	60220007500	001	PAPER FELT	
150	60374701000	001	ACCESSORIES FOR ELEVATED INSTALLATION	
150-1	60350005100	002	DISTANCE COLLAR L52	
150-2	60374701200	002	DISTANCE COLLAR L87	
150-3	57743540000	002	CHEESE-HEAD SCREW M 6X80	
150-4	57736820000	002	CHEESE-HEAD SCREW M 6X130	
150-5	60379861100	001	CONVERSION INSTRUCTIONS. ELEV. INSTALL.	

Device series (code No.) 90.032	Spare parts list No. 037.98.3.1001	Lang. E	SE 12	Textpage 15
------------------------------------	---------------------------------------	------------	--------------	----------------

No. in drawing	Order No.	Pcs.	Designation	From status.. onwards
X	X	X	X	X
160	60370600100	001	SHARPENER COMPL. EURO	
	60370700100	001	SHARPENER COMPL. USA FLAT DESIGN VERS.	
	60370800100	001	SHARPENER COMPL. USA HIGH DESIGN VERS.	
160-1	60220600100	001	SHARPENER PREASSEMBLED	
160-1-7203	60220600202	001	HOUSING	
160-1-7210	60220600500	001	BEARING BOLT WITH COLLAR	
160-1-7211	40110500001	001	PRESSURE SPRING 0110500001	
160-1-7212	56755650000	001	WASHER 6.4	
160-1-7213	57750400000	001	LOCK WASHER 4	
160-1-7214	60220600600	001	BEARING BOLT	
160-1-7215	40220600800	001	HANDWHEEL	
160-1-7216	56805720000	001	OVAL-HEAD SCREW M 6X30	
160-1-7217	56735640000	001	WASHER A 6.4	
160-1-7218	60220602600	001	SPACER BUSHING	
160-1-7220	56400860000	001	LOCK NUT M 6	
160-1-7221	60220600700	001	SHAFT	
160-1-7222	40220601000	001	PRESSURE SPRING 0.8X 6.3 X19	
160-1-7223	40220601100	001	WASHER	
160-1-7224	57750400000	001	LOCK WASHER 4	
160-1-7230	40220601200	002	LEAF SPRING	
160-1-7231	60220600900	001	COVER	
160-1-7235	40110500008	002	WASHER 6.3	
160-1-7236	60223401000	001	SHARPENING STONE	
160-1-7237	60223401100	001	HONING STONE	
160-1-7238	56728640000	002	WASHER A 6.4	
160-1-7239	56448600000	002	HEXAGON NUT FLAT-TYPE BM 6 LEFT	
160-1-7240	60220602201	001	COVER	
160-1-7241	60220602301	001	COVER	
160-1-7245	96002030000	000	MOLYKOTE LONGTHERM W 2	

Textpage 16	SE 12	Lang. E	Spare parts list No. 037.98.3.1001	Device series (code No.) 90.032
----------------	--------------	------------	---------------------------------------	------------------------------------

No. in drawing	Order No.	Pcs.	Designation	From status.. onwards
X	X	X	X	X
160-3	60370600200	001	ADAPTER EURO	
	60370700200	001	ADAPTER USA	
	60370800200	001	ADAPTER USA, HIGH DESIGN VERSION	
160-5	57463000000	005	SELF-TAPPING SCREW ST 3.5X16Z1-F	
160-10	60370600300	001	CLAMPING PIECE	
160-12	56807400000	001	OVAL-HEAD SCREW M 6X40	
160-13	56728640000	002	WASHER A 6.4	
160-15	56400870000	001	LOCK NUT M 6	
160-16	60510700015	001	STAR KNOB COMPL.	
160-16-2	56087040000	001	STAR KNOB K 40 M 8	
160-16-4	60510700014	001	THREADED BOLT	
160-17	60223400500	001	CAP	
160-18	95972950000	000	SCREW SEALING ADHESIVE 50ML LOCTIT.243	
160-50	60370600400	001	STOP	
160-51	60370600500	001	NUT PLATE	
160-52	56805680000	001	OVAL-HEAD SCREW M 6X12	
160-54	56735640000	001	WASHER A 6.4	
170	60379850000	001	OPERATING INSTRUCTIONS SE-12 GERMAN	
171	60379851000	001	OPERATING INSTRUCTIONS SE-12 ENGLISH	
172	60379852000	001	OPERATING INSTRUCTIONS SE-12 FRENCH	
173	60379853000	001	OPERATING INSTRUCTIONS SE-12 ITAL.	
174	60379854000	001	OPERATING INSTRUCTIONS SE-12 SPAN.	
9900	60223507700	001	BLADE TEFLON-COATED	
	60530105300	001	BLADE FOR CHEESE 4-HOLE	

4

Bitte unbedingt 11 stellige **BESTELL-Nr.** angeben
Please always indicate 11 digit **Order No.**
Absolument nécessaire d'indiquer **No. de commande** (11 chiffres)
Favorisca specificarci sempre il **N. di ordine** a 11 cifre
Es imprescindible que citen el "**No. de pedido**" (11 guarismos)