



CATALOG OF REPLACEMENT PARTS

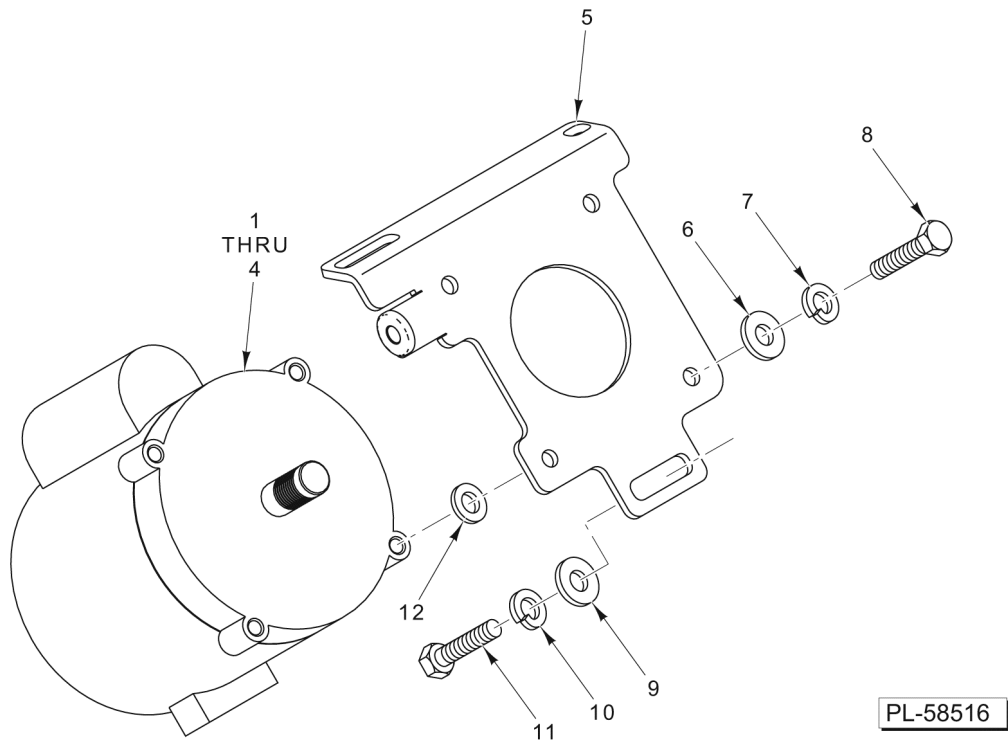


3000 SERIES MANUAL SLICERS

3613	ML-136143
3613N	ML-136180
3813	ML-136135
3813 (Canada)	ML-136178
3813N	ML-136182
3813N (Canada)	ML-136185
3813 (HEB)	ML-136214

Table of Contents

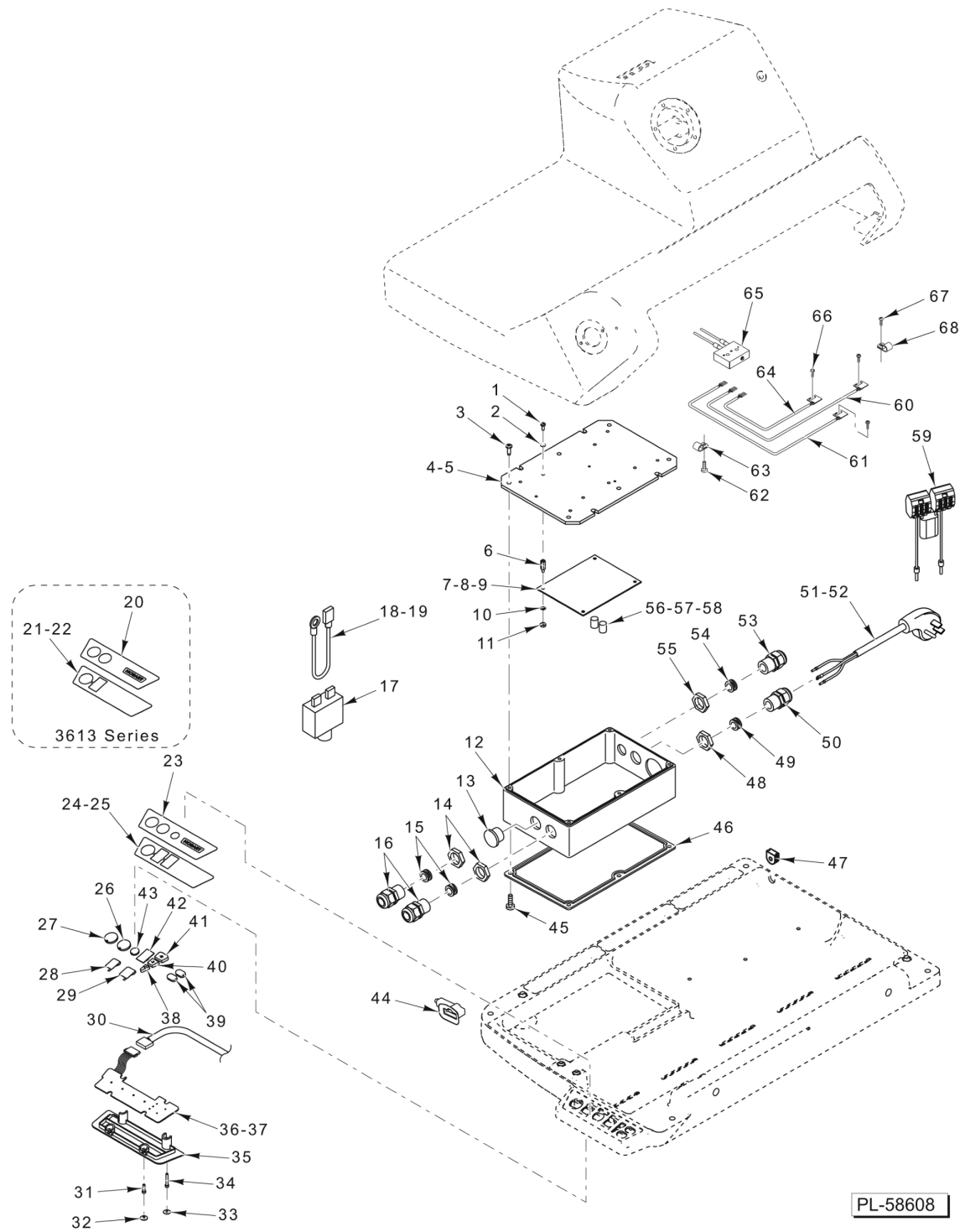
5	DRIVE MOTOR
7	ELECTRICAL COMPONENTS
11	BASE ASSEMBLY
13	KNIFE SHAFT AND TOP COVER
15	INTERLOCK AND CARRIAGE ASSEMBLY
17	PRODUCT FEED TRAY
19	TRAY ARM ASSEMBLY
21	GAUGE PLATE UNIT
23	KNIFE SHARPENER UNIT
25	ACCESSORIES



DRIVE MOTOR

DRIVE MOTOR

ILLUS.	PART NO.	NAME OF PART	AMT.
PL-58516			
1	00-914385-00001	Motor - Knife Drive (115 V., 60 Hz., 1Ph.).....	1
2	00-914385-00002	Motor - Knife Drive (230 V., 60 Hz., 1Ph.).....	1
3	00-914385-00003	Motor - Knife Drive (115 V., 50 Hz., 1Ph.).....	1
4	00-914385-00004	Motor - Knife Drive (230 V., 50 Hz., 1Ph.).....	1
5	00-914368	Bracket - Motor.....	1
6	WS-018-08	Washer.....	4
7	WL-004-06	Lockwasher 3/8 Helical.....	4
8	SC-037-73	Cap Screw 3/8-16 x 1 Hex Hd.....	4
9	WS-018-08	Washer.....	3
10	WL-004-06	Lockwasher 3/8 Helical.....	3
11	SC-037-73	Cap Screw 3/8-16 x 1 Hex Hd.....	3
12	00-914376	Washer - Knife Motor (Rubber).....	4



ELECTRICAL COMPONENTS

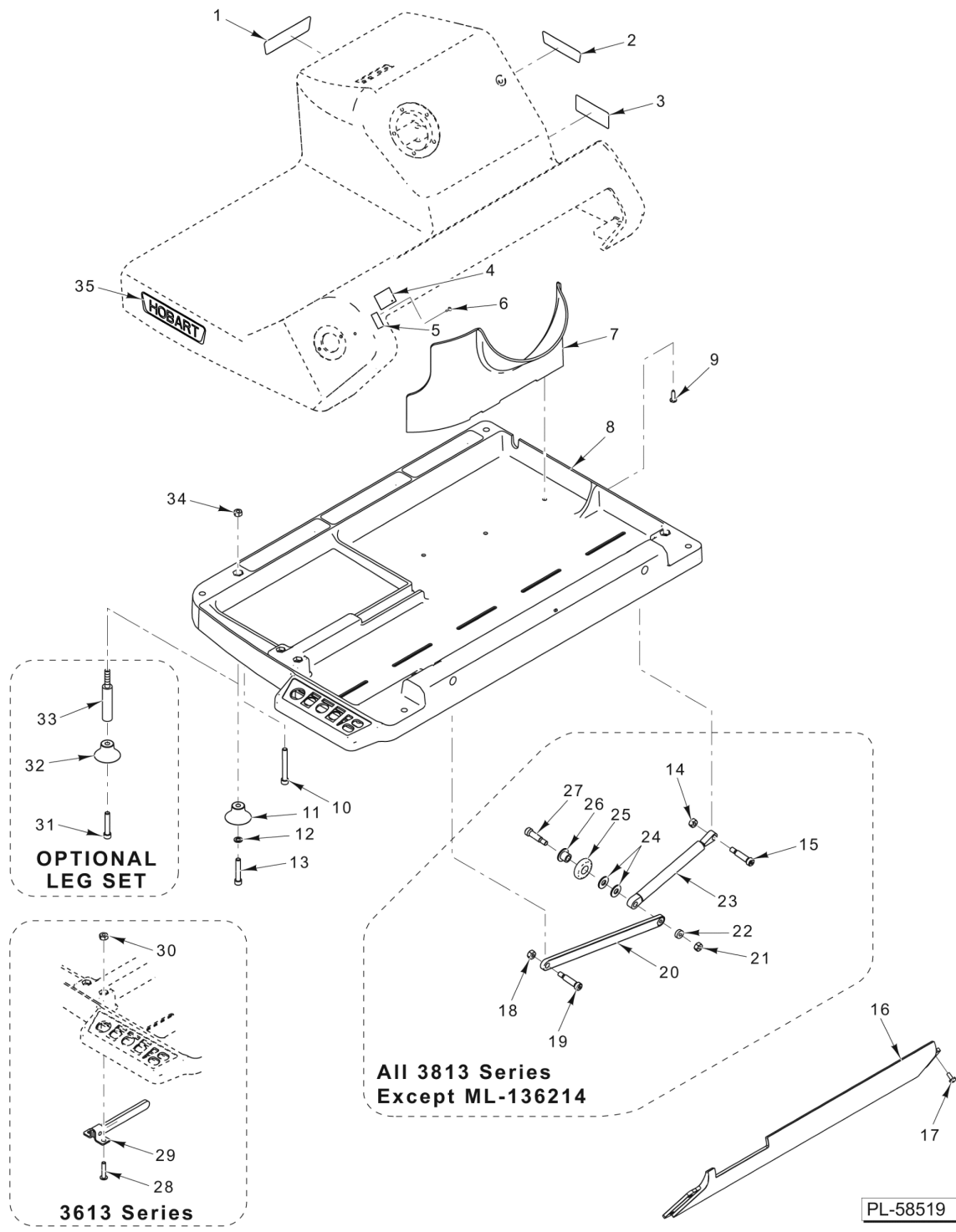
ELECTRICAL COMPONENTS

ILLUS. PL-58608	PART NO.	NAME OF PART	AMT.
1	SC-018-29	Mach. Screw 6-32 x 3/8 Phil. Pan Hd.....	4
2	WL-007-01	Lockwasher #6 External Shakeproof.....	4
3	SC-129-75	Mach. Screw 10-14 x 5/8 Phil. Pan Hd.....	6
4	00-915109-00001	Heat Sink (3813 Series).....	1
5	00-915109-00003	Heat Sink (3613 Series).....	1
6	00-478285-00002	Standoff - Hex.....	4
7	00-914700	PCB Assy. (120/230 V.) (3613 Series).....	1
8	00-914454-00001	PCB Assy. Manual Slicer (120 V.) (3813 Series).....	1
9	00-914454-00003	PCB Assy. Manual Slicer (230 V.) (3813 Series).....	1
10	WL-007-01	Lockwasher #6 External Shakeproof.....	4
11	NS-009-07	Nut 6-32 Hex.....	4
12	00-914418	Box - Electronics.....	1
13	PB-005-33	Plug - Tapered (3613 Series).....	1
14	FE-026-52	Lock Nut 1/2 Electrical.....	2
15	FE-026-53	Bushing - Electric (1/2).....	2
16	FE-026-50	Strain Relief - Electrical (1/2).....	2
17	00-477392-00027	Lead Wire Assy. (Incls. Item 19) (Canada).....	1
18	00-477392-00026	Lead Wire Assy.....	1
19	00-088196-00035	Switch Reset (Canada).....	1
20	00-914696	Overlay - Manual Graphic (3613 Series).....	1
21	00-914771	Adhesive - Manual Graphic (3613 Series).....	1
22	00-914772	Adhesive - Manual Fiber Optic (3613 Series).....	1
23	00-914523	Overlay - Manual Graphic (3813 Series).....	1
24	00-914641	Adhesive - Manual Graphic (3813 Series).....	1
25	00-914643	Adhesive - Manual Fiber Optic (3813 Series).....	1
26	00-914638-00002	Actuator - On Switch.....	1
27	00-914638-00001	Actuator - Stop Switch.....	1
28	00-914645	Lamp - Small Fiber Optic.....	1
29	00-914646	Lamp - Large Fiber Optic (3813 Series).....	1
30	00-914370	Harness - Wiring.....	1
31	SC-120-37	Cap Screw 6-32 x 3/8 Hex Socket Hd. (SST).....	2
32	00-914760	Cap - Square Drive.....	2
33	00-914760	Cap - Square Drive.....	2
34	SC-125-23	Cap Screw 6-32 x 3/4 Hex Socket Hd. (SST).....	2
35	00-914559	Cover - Lower Bezel.....	1
36	00-915065	Keypad Assy. (3813 Series).....	1
37	00-915067	Keypad Assy. (3613 Series).....	1
38	00-914638-00008	Plug - Lower Speed Indicator.....	1
39	00-914638-00004	Plug - Actuator Speed Up / Down Switch.....	2
40	00-914638-00007	Plug - Middle Speed Indicator.....	1
41	00-914638-00006	Plug - Upper Speed Indicator.....	1
42	00-914638-00005	Plug - Automatic Switch.....	1
43	00-914638-00003	Plug - Actuator Sharpen Switch.....	1
44	00-914627	Boot - Control Panel Connector.....	1
45	SC-113-52	Mach. Screw 10-24 x 1/2 Phil. Truss Hd. (SST).....	4
46	00-914419	Lid - Box.....	1
47	00-914532	Grommet - Cord.....	1
48	FE-026-52	Lock Nut 1/2 Electrical.....	1
49	FE-026-53	Bushing - Electric (1/2).....	1
50	FE-026-50	Strain Relief - Electrical (1/2).....	1
51	00-117542-00118	Cord & Plug Assy. (115 V.).....	1
52	00-117542-00111	Cord & Plug Assy. (230 V.).....	1
53	FE-026-57	Strain Relief - Electrical (3/8).....	1
54	FE-026-58	Bushing - Electrical (3/8).....	1
55	FE-026-59	Lock Nut 3/8 Electrical.....	1

ELECTRICAL COMPONENTS

ILLUS. PL-58608	PART NO.	NAME OF PART	AMT.
56	00-914782-00002	Fuse (3.15 Amp.) (115/230 V.) (FS2 DC Supply).....	1
57	00-914782-00007	Fuse (8.0 Amp.) (115 V.) (FS1 Knife Motor).....	1
58	00-914782-00008	Fuse (4.0 Amp.) (230 V.) (FS1 Knife Motor).....	1
59	00-915132-00001	Filter Assy. (3613 Series).....	1
60	00-914380-00003	Switch - Hall Effect Assy. Cut Thru (3813 Series).....	1
61	00-914380-00002	Switch - Hall Effect Assy. Interlock (3813 Series).....	1
62	SD-036-39	Self-Tapping Screw 10-24 Slotted Truss Hd., Type TT.....	4
63	00-078752-00003	Clamp - Cable.....	4
64	00-914380-00001	Switch - Hall Effect Assy. Home (3813 Series).....	1
65	00-914840	Switch Assy. - Gauge Plate Closed (3813 Series).....	1
66	SC-053-38	Mach. Screw 6-32 x 1/4 Slotted Truss Hd. (SST) (3813 Series).....	3
67	SC-053-38	Mach. Screw 6-32 x 1/4 Slotted Truss Hd. (SST) (3813 Series).....	2
68	00-078752-00016	Clamp - Wire (3813 Series).....	2

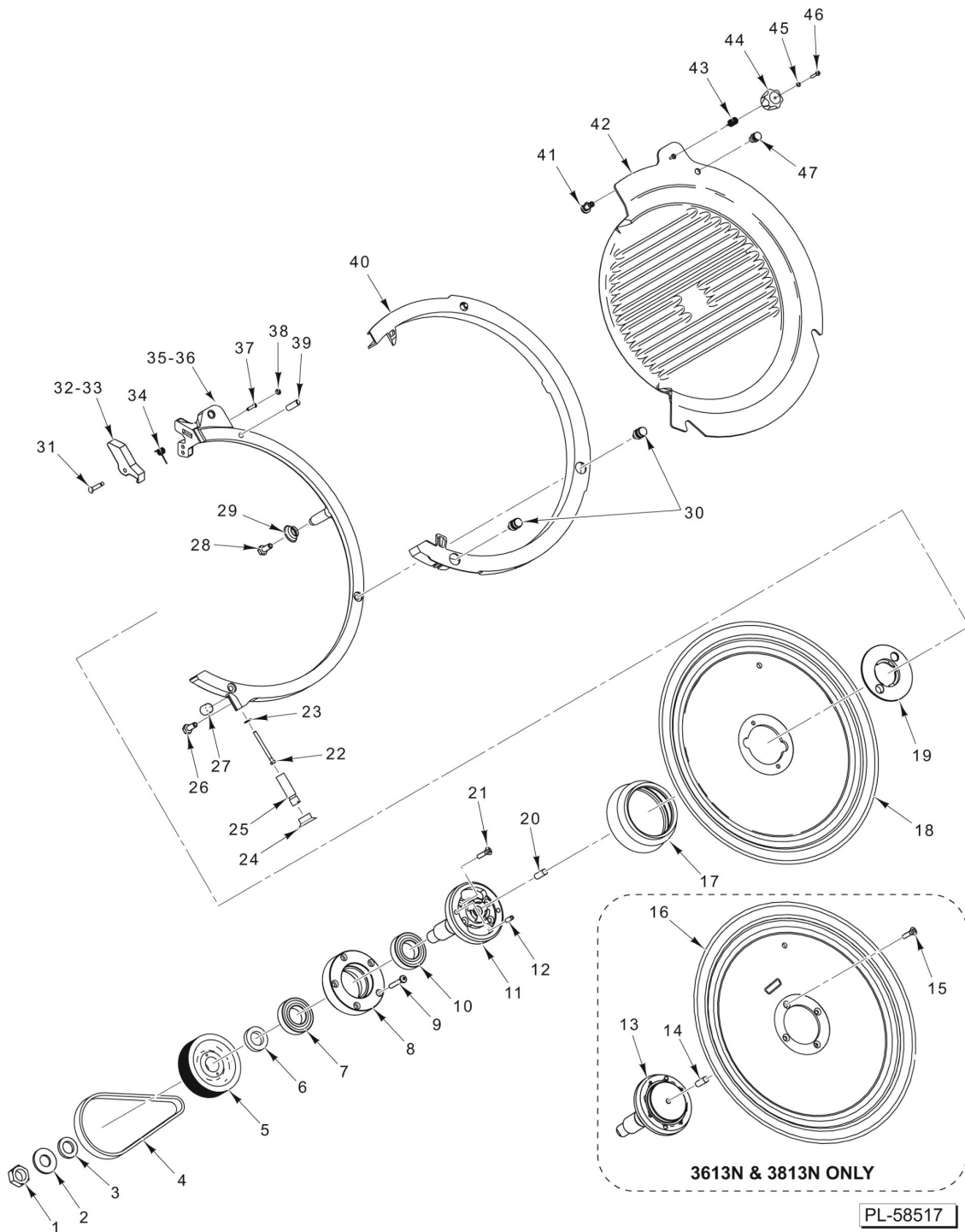
NOTES



BASE ASSEMBLY

BASE ASSEMBLY

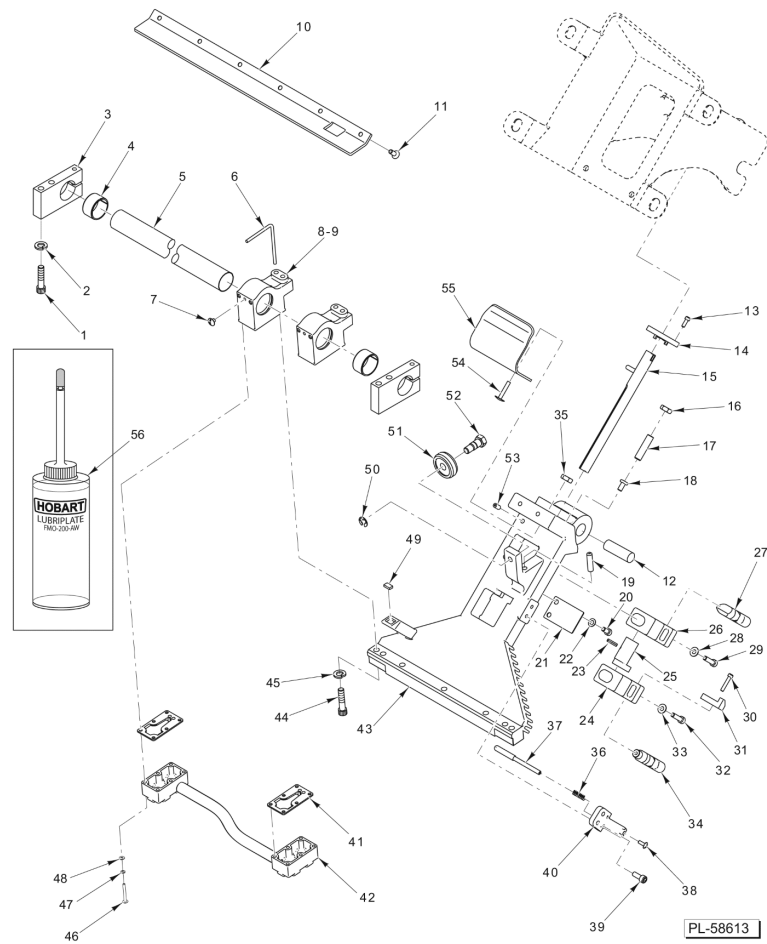
ILLUS. PL-58519	PART NO.	NAME OF PART	AMT.
1	00-477739	Logo - Hobart (Large).....	1
2	00-477740	Logo - Hobart (Small).....	1
3	00-438131-061-2	Label - California Warning (All Except Canadian).....	1
4	00-438131-054-3	Label - Warning.....	1
5	00-873622	Label - Microban.....	1
6	00-121676-00001	Self-Tapping Screw #2 x 1/4 Truss Hd.....	2
7	00-914558	Cover - Motor.....	1
8	00-914293-00002	Cover - Bottom.....	1
9	SC-129-75	Mach. Screw 10-14 x 5/8 Phil. Pan Hd.....	3
10	SC-130-03	Cap Screw 5/8-18 x 1 3/4 Hex Socket Hd.....	3
11	00-914835	Foot - Base.....	4
12	WS-017-08	Washer (SST).....	4
13	SC-130-04	Cap Screw 5/16-18 x 2 1/4 Hex Socket Hd.....	4
14	NS-015-01	Nut 1/4-20 Hex (SST) (All 3813 Series Except ML-136214).....	1
15	SC-130-05	Shoulder Screw 1/4-20 x 7/8 (All 3813 Series Except ML-136214).....	1
16	00-914622-00002	Panel - Side.....	1
17	SC-115-03	Mach. Screw 10-32 x 5/8 Slotted Rd. Hd. (SST).....	4
18	NS-015-01	Nut 1/4-20 Hex (SST) (All 3813 Series Except ML-136214).....	1
19	SC-129-91	Shoulder Screw 1/4-20 x 1 (SST) (All 3813 Series Except ML-136214).....	1
20	00-914827	Linkage - Manual Lift Bar (All 3813 Series Except ML-136214).....	1
21	NS-015-01	Nut 1/4-20 Hex (SST) (All 3813 Series Except ML-136214).....	1
22	00-914804	Spacer - Manual Lift (All 3813 Series Except ML-136214).....	1
23	00-914575	Spring - Gas (All 3813 Series Except ML-136214).....	1
24	WS-029-05	Washer (SST) (All 3813 Series Except ML-136214).....	2
25	00-914828	Roller - Manual Lift (All 3813 Series Except ML-136214).....	1
26	00-914829	Bearing - Bushing (All 3813 Series Except ML-136214).....	1
27	SC-130-05	Shoulder Screw 1/4-20 x 7/8 (All 3813 Series Except ML-136214).....	1
28	SC-125-95	Mach. Screw 1/4-20 x 1-1/4 Phil. Pan Hd. (SST) (3613 Series).....	2
29	00-914653	Bracket - Kickstand Assy. (3613 Series).....	1
30	NS-015-01	Nut 1/4-20 Hex (SST) (3613 Series).....	1
31	SC-092-61	Cap Screw 5/16-18 x 1 1/2 Hex Socket Hd.....	4
32	00-914835	Foot - Base.....	4
33	00-914749	Leg - Extension (4 In.).....	4
34	NS-015-11	Nut 5/16-18 Hex (SST).....	3
35	00-477739	Logo - Hobart (Large).....	1
	00-914765	Leg Set (Packaged) (Incls. Items 31, 32, & 33).....	1
	00-438131-00058	Label - Warning (All Except Canadian).....	1



KNIFE SHAFT AND TOP COVER

KNIFE SHAFT AND TOP COVER

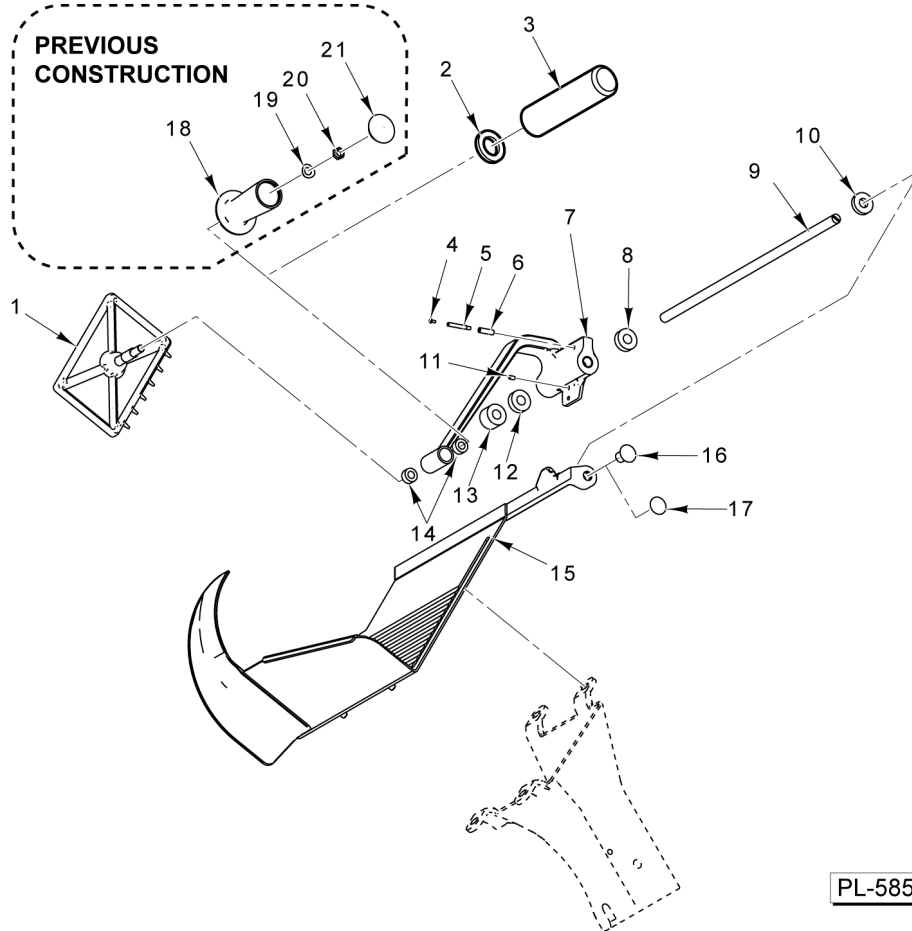
ILLUS. PL-58517	PART NO.	NAME OF PART	AMT.
1	NS-017-41	Jam Nut 5/8-18 Hex (SST).....	1
2	WS-031-51	Washer.....	1
3	WL-019-28	Lockwasher 5/8 Helical.....	1
4	00-914334	Belt - Knife Drive (Flexonic).....	1
5	00-914372	Pulley - Driven Knife Drive.....	1
6	00-914374	Spacer - Knife Drive Lock.....	1
7	BB-021-66	Bearing - Ball.....	1
8	00-914375	Hub & Bearing Assy. (Incls. Item 7).....	1
9	SC-129-92	Mach. Screw 10-32 x 1-1/4 Phil. Rd. Hd. (SST).....	5
10	BB-021-66	Bearing - Ball.....	1
11	00-914663	Shaft - Knife Removal Mounting Assy. (Incls. Items 10, 12, & 21) (3613 & 3813 Series)	1
12	00-915106	Pin - Grooved (3/16 In.).....	1
13	00-914373	Shaft - Knife (Non-Removal) (3613N & 3813N Series).....	1
14	00-914561	Screw - Rulon.....	1
15	SC-114-99	Mach. Screw 10-32 x 1/2 Phil. Flat Hd. (SST) (3613N & 3813N Series).....	4
16	00-914753-00002	Knife - Slicer Pack (3613N & 3813N Series).....	1
17	00-914318	Boot.....	2
18	00-914753	Knife - Slicer Pack (3613 & 3813 Series).....	1
19	00-914422	Plate - Knife Removal Clamp.....	1
20	00-914561	Screw - Rulon.....	1
21	SC-129-80	Mach. Screw 10-24 x 3/4 Phil. Flat Hd. (SST).....	4
22	SC-129-79	Cap Screw 10-24 x 2-1/4 Hex Hd. (SST).....	1
23	WS-023-30	Washer.....	1
24	00-914429	Boot - Ring Guard.....	1
25	00-914428	Post - Ring Guard.....	1
26	SC-130-21	Mach. Screw 6-32 x 5/16 Hex Hd. (SST).....	1
27	00-914634	Magnet - Product Deflector.....	1
28	SC-037-80	Mach. Screw 10-24 x 1/2 Hex Hd.....	1
29	00-914429	Boot - Ring Guard.....	1
30	00-914358	Pin - Tapered.....	2
31	00-914411	Pin - Lock.....	1
32	00-914409-00002	Lock - Knife Edge Protector (3813 Series).....	1
33	00-914409-00003	Lock - Knife Edge Protector.....	1
34	00-914425	Lock - Torsion Spring.....	1
35	00-914568-00001	Ring - Guard & Lock (Incls. Items 24, 28, 31, 32, & 34) (3813 Series).....	1
36	00-914568-00002	Ring - Guard & Lock (Incls. Items 24, 28, 31, 33, & 34) (3613 Series).....	1
37	SC-129-78	Cap Screw 8-32 x 5/8 Hex Socket Hd.....	2
38	00-914430	Plug.....	2
39	PG-006-27	Pin - Grooved (1/4 In.).....	1
40	00-914408	Cover - Ring Guard.....	1
41	00-875265	Stud - Locking (Top Cover).....	1
42	00-914412-00003	Cover - Top.....	1
43	00-437994	Spring - Top Cover.....	1
44	00-875266	Knob - Top Cover Locking.....	1
45	WL-013-02	Lockwasher #4 Internal Shakeproof (SST).....	1
46	SC-122-53	Mach. Screw 4-40 x 5/8 Phil. Pan Hd. (SST).....	1
47	00-914357	Stud - Adjustable Hub.....	1
	00-914375	Hub & Bearing Assy.....	1
	00-914567	Top Cover & Lock Knob Assy.....	1



INTERLOCK AND CARRIAGE ASSEMBLY

INTERLOCK AND CARRIAGE ASSEMBLY

ILLUS.	PART NO.	NAME OF PART	AMT.
PL-58613			
1	SC-089-05	Cap Screw 1/4-20 x 1-1/2 Hex Socket Hd.....	6
2	WL-003-35	Lockwasher 1/4 Helical.....	6
3	00-914350	Clamp - Slide Rod.....	2
4	00-914465	Bumper - Carriage.....	2
5	00-914602	Rod - Carriage Slide.....	1
6	00-914666	Wick.....	2
7	SC-112-40	Mach. Screw 8-32 x 3/16 Slotted Truss Hd. (SST).....	2
8	00-914340-00002	Block - Transport Bearing.....	2
9	00-914545	Bushing.....	2
10	00-914348	Bar - Transport Roller.....	1
11	SD-024-16	Self-Tapping Screw 10-24 x 1/2 Phil. Flat Hd., Type TT.....	6
12	00-914563	Rod - Tray Arm Mounting.....	1
13	SC-120-37	Cap Screw 6-32 x 3/8 Hex Socket Hd. (SST).....	4
14	00-914346	Plate - Interlock Key.....	1
15	00-914789	Shaft - Interlock (3813 Series).....	1
16	NS-018-10	Nut 5/16-24 Hex (SST).....	1
17	SC-129-84	Set Screw 5/16-24 x 1-1/4 Hex Hdls., Cup Pt.....	1
18	00-439045	Stud - Drive.....	1
19	SC-129-93	Set Screw 1/4-28 x 1 Hex Hdls., Cup Pt.....	2
20	SC-122-29	Cap Screw 10-32 x 3/8 Hex Socket Hd. (3813 Series).....	2
21	00-914345	Spring - Interlock Shaft (3813 Series).....	1
22	WL-008-13	Lockwasher #10 Internal (3813 Series).....	2
23	RP-002-23	Pin - Roll (3813 Series).....	1
24	00-914342-00002	Block - Interlock Shaft Bearing (3813 Series).....	1
25	00-914553	Lock - Cam Interlock Shaft (3813 Series).....	1
26	00-914342-00001	Block - Interlock Shaft Bearing (3813 Series).....	1
27	00-914341-00001	Pin - Interlock (Transport) (3813 Series).....	1
28	WS-031-19	Washer (SST) (3813 Series).....	2
29	SC-059-17	Cap Screw 10-32 x 3/4 Hex Socket Hd.(3813 Series).....	2
30	SC-125-23	Cap Screw 6-32 x 3/4 Hex Socket Hd. (SST) (3813 Series).....	2
31	00-914810	Bracket - Plunger (3813 Series).....	1
32	SC-059-17	Cap Screw 10-32 x 3/4 Hex Socket Hd. (3813 Series).....	2
33	WS-031-19	Washer (SST) (3813 Series).....	2
34	00-915045	Pin - Interlock (Index) (Incls. Magnet) (3813 Series).....	1
35	NS-011-18	Nut 10-24 Hex.....	3
36	00-914554	Spring - Target (3813 Series).....	1
37	00-914551	Plunger - Carriage Target (3813 Series).....	1
38	SC-122-83	Mach. Screw 6-32 x 3/8 Slotted Truss Hd. (SST) (3813 Series).....	1
39	SC-089-69	Cap Screw 10-32 x 1/2 Hex Socket Hd. (3813 Series).....	2
40	00-914552	Mount - Carriage Target Plunger (3813 Series).....	1
41	00-914570	Gasket - Lubrication Reservoir.....	2
42	00-914872	Reservoir Assy.....	1
43	00-914637	Transport - Carriage & Rod Assy.....	1
44	SC-129-97	Cap Screw 1/4-20 x 1-1/2 Hex Socket Hd. (Grade 8).....	4
45	WL-003-35	Lockwasher 1/4 Helical.....	4
46	SC-129-90	Cap Screw 4-40 x 1 Phil. Truss Hd. (SST).....	12
47	WL-006-43	Lockwasher #4 Helical (SST).....	12
48	WS-031-61	Washer (SST).....	12
49	00-914505	Magnet - Transport.....	1
50	RR-006-23	Retaining Ring.....	1
51	00-478420	Roller Transport Assy.....	1
52	00-914697	Stud - Roller Bearing.....	1
53	SC-124-17	Set Screw 8-32 x 3/8 Hex Hdls., Flat Pt. (SST) (3813 Series).....	1
54	SC-131-14	Bolt 10-24 x 1 Sq. Neck, Rd. Hd. (SST).....	3
55	00-914339	Clamp - Tray Mounting.....	1
56	00-437906	Bottle - Oil and Label Assy.....	1

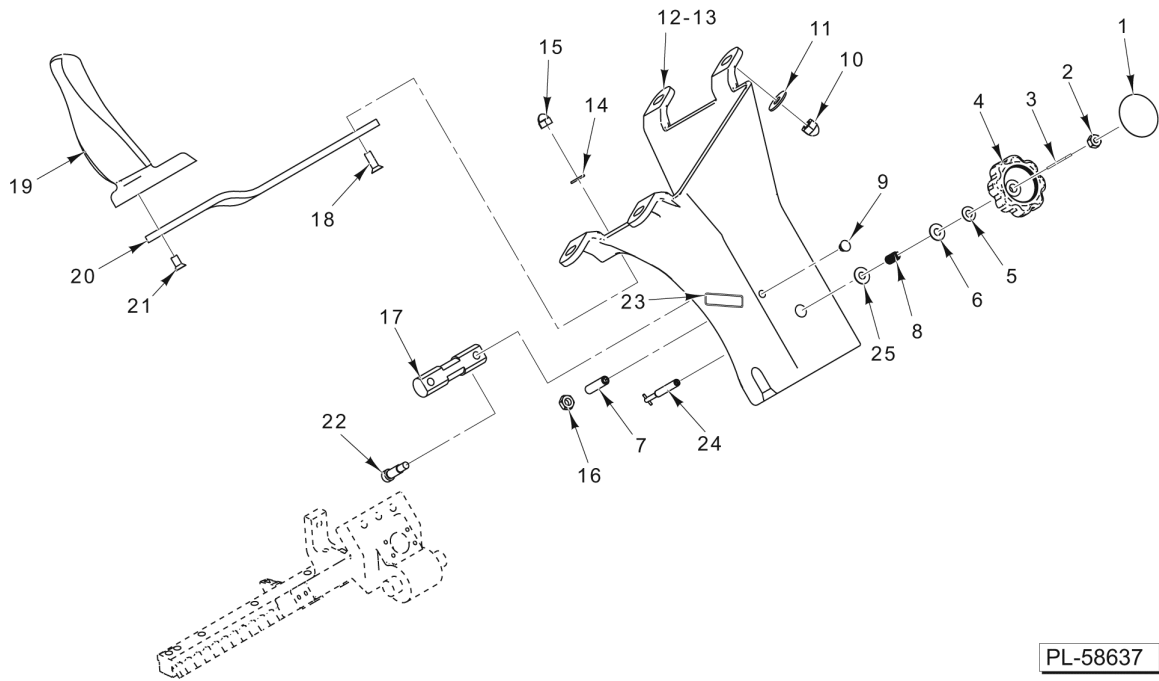


PRODUCT FEED TRAY

PRODUCT FEED TRAY

ILLUS. PL-58518	PART NO.	NAME OF PART	AMT.
1	00-914435	Grip - Meat.....	1
2	WS-021-21	Washer.....	1
3	00-914937	Handle - Meat Grip.....	1
4	SC-129-86	Mach. Screw 4-40 x 1/4 Slotted Pan Hd. (SST).....	1
5	00-914958	Roller - Position Post.....	1
6	00-914443	Post - Position.....	1
7	00-914948-00004	Grip - Feed Assy. (Incls. Items 1 thru 6, 8, 9, 11, & 12).....	1
8	00-914452	Bearing - Grip Arm.....	1
9	00-914440	Rod - Slide.....	1
10	00-914447	Stop - Compression.....	1
11	00-914446	Pad - Stop.....	2
12	00-914452	Bearing - Grip Arm.....	1
13	00-914497	Stop - Grip Arm.....	1
14	00-478254	Bushing.....	2
15	00-914439	Tray.....	1
16	00-915027	Cap - Slide Rod End.....	1
17	00-914492	Cap - Slide Rod End (Previous Construction).....	1
*18		Handle - Long Grip (Previous Construction).....	1
19	SL-005-16	Spring - Loaded (SST) (Previous Construction).....	1
20	NS-048-24	Lock Nut 3/8-16 (Previous Construction).....	1
21	00-914437	Cap - Handle (Previous Construction).....	1

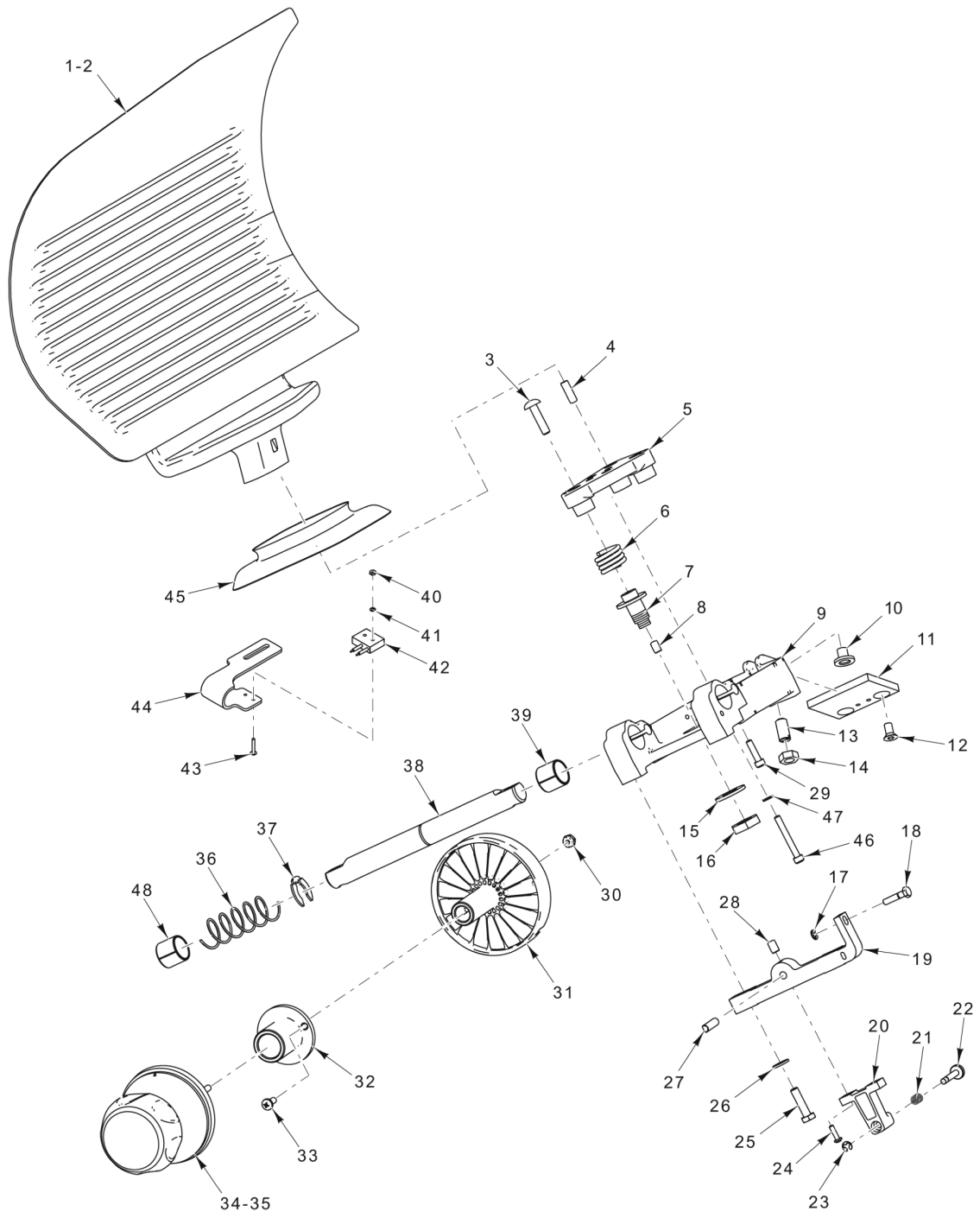
* This Part is no longer available; order items 2 & 3 for replacement.



TRAY ARM ASSEMBLY

TRAY ARM ASSEMBLY

ILLUS. PL-58637	PART NO.	NAME OF PART	AMT.
1	00-914474	Cap - Interlock Knob.....	1
2	NS-018-06	Jam Nut 5/16-18 Hex (SST).....	1
3	00-914819	Key - Interlock Knob.....	1
4	00-914973-00002	Knob Interlock.....	1
5	00-915003	Spring - Curved.....	1
6	WS-017-08	Washer (SST).....	1
7	SC-129-84	Set Screw 5/16-24 x 1-1/4 Hex Hdls., Cup Pt.....	1
8	00-914981	Spring - Tray Arm Knob.....	1
9	00-875375	Plug - Gaugeplate.....	1
10	NS-025-09	Crown Nut 5/16-18 (SST).....	4
11	WS-017-01	Washer (SST).....	4
12	00-914557-00005	Arm - Tray.....	1
13	00-914557-00006	Arm - Tray (3813 Series).....	1
14	WS-003-49	Washer (SST).....	2
15	NS-025-04	Crown Nut 1/4-20 (SST).....	2
16	NS-018-10	Jam Nut 5/16-24 Hex (SST).....	1
17	00-914562	Bar - Clamping Tray Arm.....	1
18	SC-129-94	Cap Screw 1/4-20 x 3/4 Hex Flat Hd. (SST).....	2
19	00-914939	Handle - Tray.....	1
20	00-914651	Mount - Tray Handle.....	1
21	SC-110-34	Cap Screw 1/4-20 x 1/2 Hex Flat Hd. (SST).....	2
22	SC-121-06	Shoulder Screw 1/4-20 x 3/4 Hex Socket Hd. (SST).....	2
23	00-477733	Label - Home Start (3813 Series).....	1
24	00-915129	Key - Shaft & Pin Assy.....	1
25	WS-017-09	Washer (SST).....	1
	00-915005	Kit - Interlock Knob (Incls Items 1 thru 6, 8, 24, 25).....	1

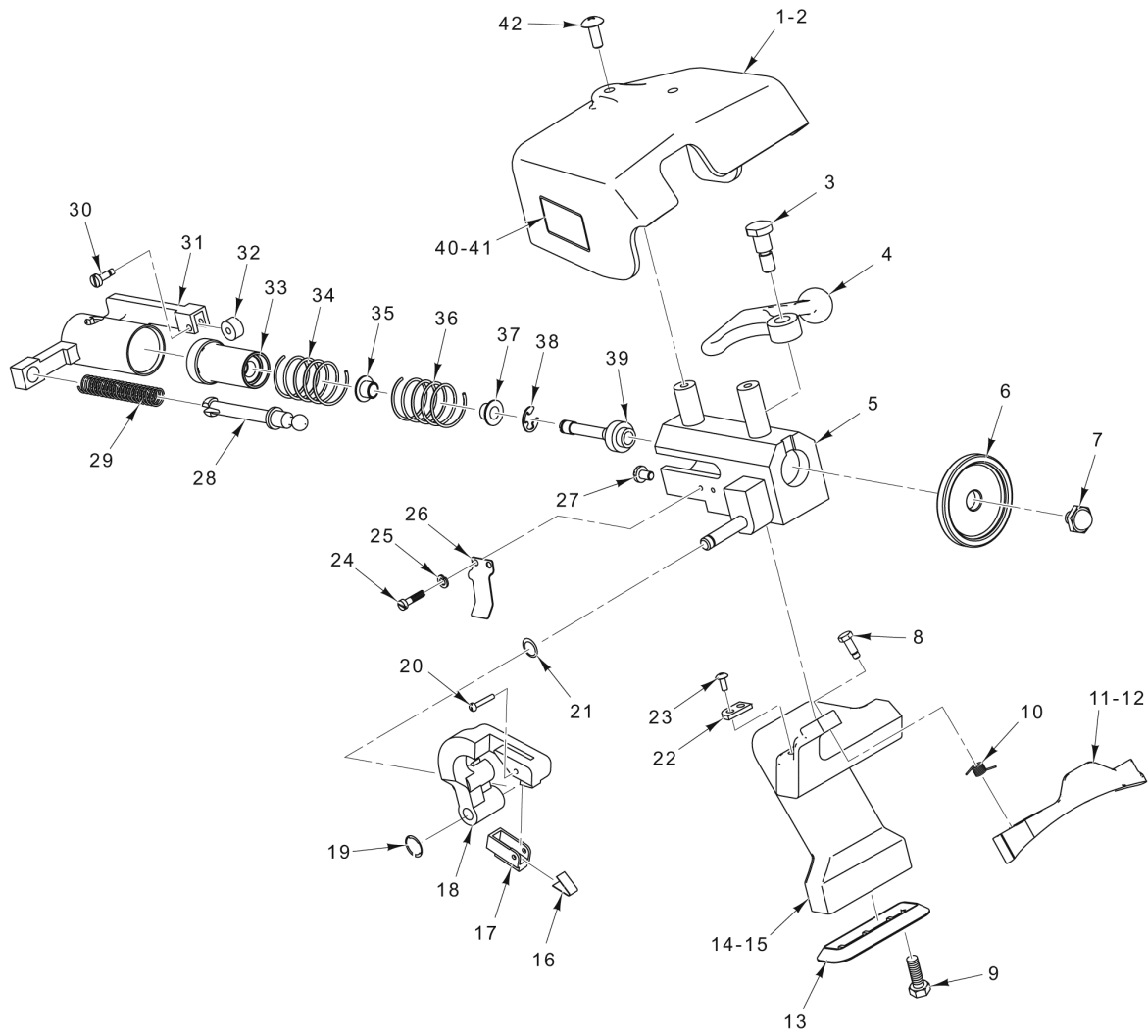


PL-58521

GAUGE PLATE UNIT

GAUGE PLATE UNIT

ILLUS.	PART NO.	NAME OF PART	AMT.
PL-58521			
1	00-914320-00001	Plate - Gauge Assy.....	1
2	00-914320-00002	Plate - Gauge Assy. (Incls. Item 4) (3813 Series).....	1
3	SC-130-46	Cap Screw 3/8-24 x 1-1/2 Hex Button Hd.....	3
4	00-914909	Pin - Dowel.....	2
5	00-914300-00002	Support - Intermediate Index.....	1
6	00-914307	Spring - Gauge Plate Adjustment.....	3
7	00-914848	Bolt - Barrel 3/4-24 x 13/16.....	3
8	SC-130-57	Set Screw 1/4-20 x 3/4 Hex Hdls., Flat Pt.....	3
9	00-914299-00002	Slide - Index.....	1
10	00-914317	Bearing - Anti-Rotation Plug.....	1
11	00-914306	Plate - Anti-Rotation.....	1
12	SC-110-34	2
13	SC-123-51	Set Screw 3/8-24 x 3/4 Slotted Hdls., Flat Pt. (Brass).....	1
14	NS-017-20	Jam Nut 3/8-24 Hex.....	1
15	WS-031-62	Washer.....	3
16	NS-049-28	Nut 1/2-20 Hex.....	3
17	RR-006-03	Retaining Ring.....	1
18	00-914305	Screw - 10-32 x 9/16 Fine Adjust.....	1
19	00-914303-00002	Mount - Follower.....	1
20	00-914548	Mount - Target (3813 Series).....	1
21	00-914701	Spring - Target (3813 Series).....	1
22	00-914549	Pin - Target (3813 Series).....	1
23	RR-006-03	Retaining Ring (3813 Series).....	1
24	SC-093-24	Mach. Screw 6-32 x 1/2 Phil. Pan Hd. (SST) (3813 Series).....	2
25	SC-041-02	Cap Screw 1/4-20 x 1 Hex Hd. (SST).....	2
26	WS-003-49	Washer (SST).....	2
27	00-914304	Follower.....	1
28	SC-055-01	Set Screw 10-24 x 1/4 Hex Hdls., Cup Pt. (SST).....	1
29	SC-059-17	Cap Screw 10-32 x 3/4 Hex Socket Hd. (SST).....	2
30	NS-031-49	Stop Nut 10-32 Hex (SST).....	1
31	00-914309-00002	Cam - Index (2-1/2 Turns).....	1
32	00-914315	Bushing - Cam.....	1
33	SC-111-14	Mach. Screw 10-32 x 5/8 Slotted Pan Hd. (SST).....	2
34	00-915006-00001	Knob & Index Assy. (All Except ML-136214).....	1
35	00-915006-00003	Knob & Index Assy. (ML-136214, 3813 HEB).....	1
36	00-914308	Spring - Anti-Backlash.....	1
37	RR-012-25	Retaining Ring.....	1
38	00-914302	Shaft - Index.....	1
39	00-914310	Bushing - Index Slide.....	1
40	NS-046-97	Nut 2-56 Hex (3813 Series).....	2
41	WL-019-29	Lockwasher #2 Internal (SST) (3813 Series).....	2
42	00-914840	Switch Assy. - Gauge Plate Closed (3813 Series).....	1
43	SC-122-72	Mach. Screw 2-56 x 9/16 Slotted Pan Hd. (3813 Series).....	2
44	00-914618	Bracket - Index Closed Switch (3813 Series).....	1
45	00-914833	Boot - Gauge Plate.....	1
46	SC-130-59	Cap Screw 10-24 x 1-1/2 Hex Socket Hd.....	1
47	WS-023-22	Washer (SST).....	1
48	00-914310	Bushing - Index Slide.....	1
	00-915007	Kit - Knob & Index Assy. (Incls. Items 30 & 34) (3813 Series).....	1

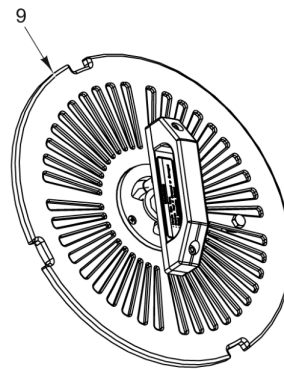
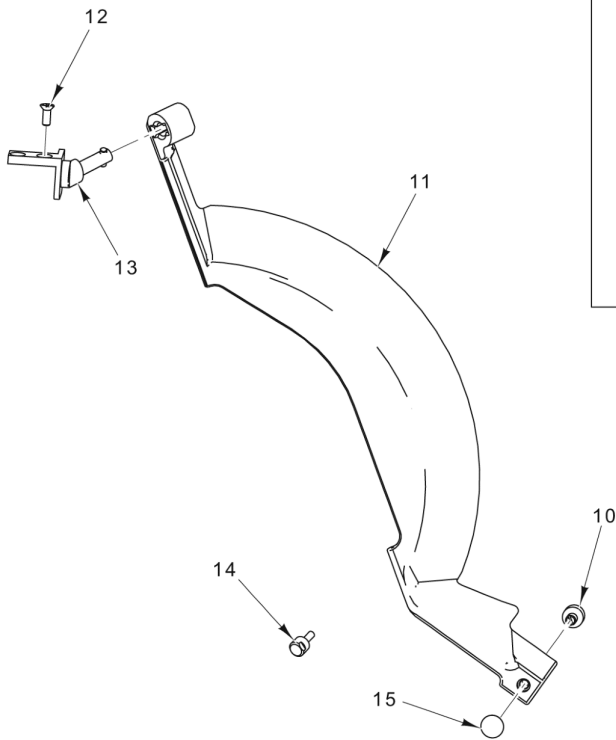
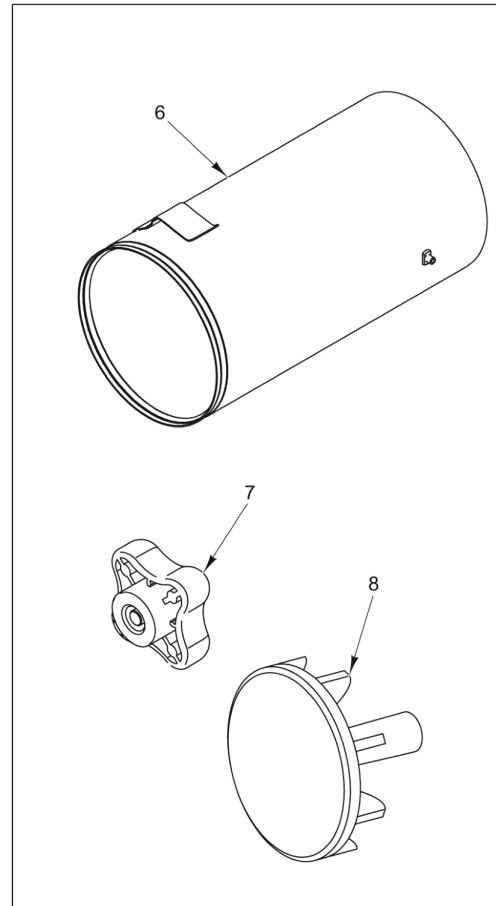
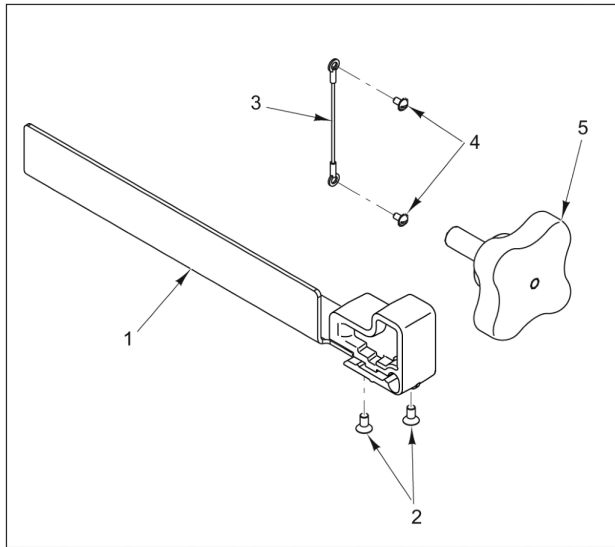


PL-58520

KNIFE SHARPENER UNIT

KNIFE SHARPENER UNIT

ILLUS. PL-58520	PART NO.	NAME OF PART	AMT.
1	00-914682	Cover & Plate Assy.....	1
2	00-914682-00002	Cover & Plate Assy. (Incls. Item 41) (Canadian).....	1
3	00-479953	Shoulder Screw 1/4-20 x 3/8.....	1
4	00-875359	Handle - Sharpener Cam.....	1
5	00-914565	Housing & Stud Assy.....	1
6	00-914326	Wheel - Grinding.....	1
7	00-914327	Screw - Pushing Cover.....	1
8	00-914410	Pin - Knife Protector.....	1
9	SC-037-80	Mach. Screw 10-24 x 1/2 Hex Hd.....	2
10	00-914424	Spring - Knife Protector.....	1
11	00-914504-00002	Protector - Knife Edge (3813 Series).....	1
12	00-914504-00003	Protector - Knife Edge (3613 Series).....	1
13	00-914426	Boot - Sharpener Mount.....	1
14	00-914592	Mount - Sharpener Assy. (3813 Series).....	1
15	00-914592-00002	Mount - Sharpener Assy. (3613 Series).....	1
16	00-914414	Spring - Truing Stone.....	1
17	00-914413	Stone - Truing.....	1
18	00-914495-00002	Arm - Truing.....	1
19	RR-006-22	Retaining Ring 1/4 In. (SST).....	1
20	SC-129-65	Mach. Screw 2-56 x 5/8 Slotted Pan Hd.....	1
21	00-479527	Washer - Spring Crescent Shaped.....	1
22	00-914687	Spacer - Sharpener Mount.....	1
23	SC-022-79	Mach. Screw 6-32 x 3/8 Phil. Flat Hd. (SST).....	2
24	SC-126-48	Mach. Screw 4-40 x 1/4 Phil. Pan Hd. (SST).....	2
25	WL-003-03	Lockwasher #4 Helical.....	2
26	00-914544	Spring - Sharpener Housing.....	1
27	SC-122-87	Mach. Screw 8-32 x 1/4 Slotted Pan Hd. (SST).....	1
28	00-914415	Rod - Truing Pusher.....	1
29	00-914416	Spring - Truing Arm.....	1
30	00-914329	Roller - Shoulder Screw.....	1
31	00-914323	Actuator.....	1
32	00-914328	Roller - Lock Release.....	1
33	00-873851	Plunger - Bearing Assy.....	1
34	00-438437	Spring - Return.....	1
35	00-873834	Bearing - Sharpener.....	1
36	00-875531	Spring - Main.....	1
37	00-873834	Bearing - Sharpener.....	1
38	RR-006-22	Retaining Ring 1/4 In. (SST).....	1
39	00-873848	Shaft - Grinding Wheel.....	1
40	00-914681	Label - Instruction.....	1
41	00-914871	Label - Instruction (Canadian).....	1
42	SC-129-63	Mach. Screw 10-24 x 1/2 Phil. Truss Hd. (SST).....	2
	00-914569	Mount - Sharpener Assy. (Incls. Items 8, 10, 11, 13, 14, 22, & 23) (3813 Series).....	1
	00-914569-00002	Mount - Sharpener Assy.....	1
	00-914571	Sharpener Assy.....	1
	00-914571-00002	Sharpener Assy. (Incls. Items 2 thru 7, 16 thru 21, 24 thru 39, 41, & 42) (Canadian).....	1



PL-58638

ACCESSORIES

ACCESSORIES

ILLUS. PL-58638	PART NO.	NAME OF PART	AMT.
1	00-914763	Fence Assy. - Vegetable (Packaged).....	1
2	SC-130-51	Cap Screw 10-32 x 3/8 Hex Flat Hd. (SST).....	2
3	00-915076	Cable - Tether.....	1
4	SC-131-18	Mach. Screw 6-32 x 1/4 Slotted Rd. Hd. (SST).....	2
5	00-914671	Knob - Fence.....	1
6	00-914795	Food Chute Assy. (Packaged).....	1
7	00-914673	Knob - Chute.....	1
8	00-075945	Pusher Assy. - Plate.....	1
9	00-914758	Knife Removal Tool Assy. (Packaged) (ML-136135, ML-136143, ML-136178, & ML-136214).....	1
10	00-914587	Foot - Adjustable Deflector (3813 Series).....	1
11	00-914585-00002	Deflector - Product (3813 Series).....	1
12	SC-022-79	Mach. Screw 6-32 x 3/8 Phil. Flat Hd. (SST) (3813 Series).....	2
13	00-914649	Mount - Product Deflector (3813 Series).....	1
14	00-914596	Stud - Product Deflector (3813 Series).....	1
15	00-914597	Cap - Product Deflector (3813 Series).....	1
	00-914702	Product Deflector Kit (Incls. Items 10 thru 15) (3813 Series).....	1

