

Parts Catalog



Model GC512

SLICING MACHINE

MODELS: GC512

10-22-11

IMPORTANT!

TO EXPEDITE SHIPMENT OF PARTS, ALWAYS SPECIFY MODEL, REV,
PART NUMBER, AND SERIAL NUMBER OF SLICER.

GLOBE FOOD EQUIPMENT COMPANY

2215 East River Rd.
Dayton, Ohio 45439

Parts Department

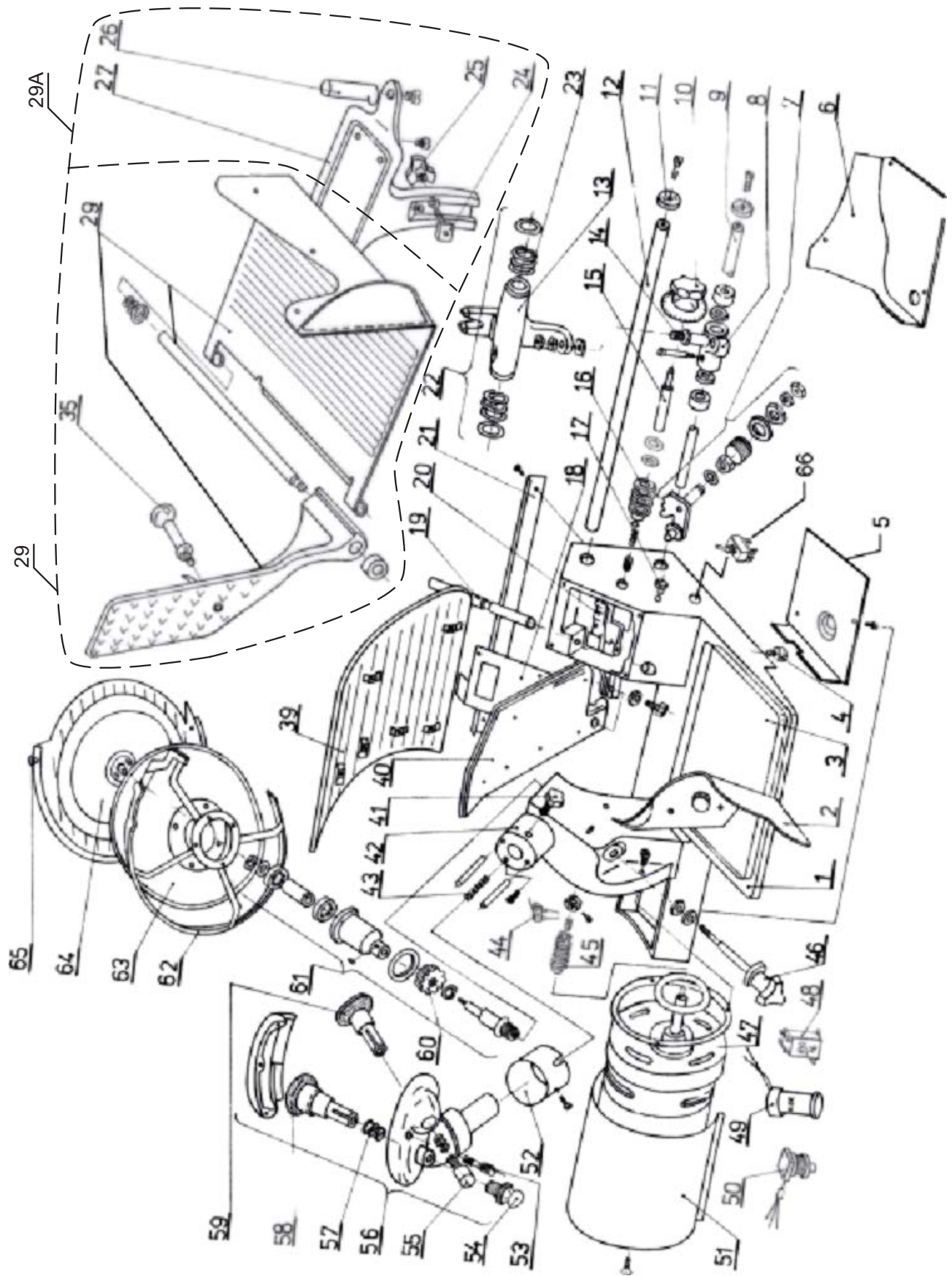
Toll Free 1-800-745-6238 • Fax (937) 290-0585

E-Mail: globeinfo@globeslicers.com

Website: www.globeslicers.com

Not for resale

GC512 COMPONENTS



GC512 PARTS LIST

Item Number	Part Number	*New Part Number	Part Description
1	A101		Slicer Base
2	A035		Slice Deflector, SS
3	A001		Receiving Tray
4	A040	A040A	Rubber Foot
5	A011		Rear Cover Plate
6	A017		Front Cover Plate
7	A130		Table Adjust Gear Assembly
8	A170		Lower Slide Bushing
9	A104	A104A	Lower Slide Bar
10	407-1B		Table Adjustment Knob
11	A106		Slide Bar Washer
12	A103	A103A	Upper Slide Bar
13	A165	A165A	Upper Slide Bushing
14	A162		Lower Bushing Stud
15	A114		Knob Shaft
16	A116		Worm Gear
17	952-11		Power ON Lamp
18	A018		Table Adjust Cover
19	A112	A121A	Table Slide Shaft
20	A140	A122A	Table Slide
21	A006		Side Cover Plate
22	A160		Chute Arm Receiver
23	A166		Bumper Spring
24	A415		Plate & Stud Assembly
25	A222		Support Knob
26	A413		Chute Handle
27	A2410		Chute Support
29	A2420	A420A	Chute Assembly, SS
29A	A2400	A421A	Chute/Endweight Assembly, SS
35	A451		Endweight Handle
39	A025		Table, SS
40	A021		Table Support
41	A220		Sharpener Knob
42	A2210		Gear Housing
43	A208		Sharpener Knob
44	A215		Micro Switch
45	A264		Motor Gear
46	A230		Knob, Knife Cover Stud
47	A260		Knife Motor, 1/3 HP - 60HZ - 1 PH
48	AR10/16		Thermal Overload
49	AKER		Start Capacitor
50	5-Apr		Relay
51	A270	A270A	Motor Cover
52	A306		Sharpener Dust Cover
53	A312		Sharpener Cover Screw
54	A303		Honing Stone Knob
55	A301		Grinding Stone Knob
56	A2300		Sharpening Assembly
57	A302		Spring
58	A330		Honing Stone Assembly
59	A320		Grinding Stone Assembly
60	A293		Nylon Gear
61	A290		Bearing Assembly
62	A225		Knife Rim Guard
63	A281		Knife, SS
64	A2503		Knife Cover Support
65	A245		Knife Cover, SS
66	A785		ON/OFF Switch
Not Shown	132-3		Power Cord
Not Shown	785-1SG		Switch Guard
Not Shown	952-13		Switch Boot

*Use new part numbers for S/N 531885 and up.

