

# Parts Catalog



**G12A Slicer**

## **SLICING MACHINE**

MODEL: G12A

01-07-16N

Serial Number 600748 and Up

**IMPORTANT!**

TO EXPEDITE SHIPMENT OF PARTS, ALWAYS SPECIFY MODEL, REV,  
PART NUMBER, AND SERIAL NUMBER OF SLICER.

### **GLOBE FOOD EQUIPMENT COMPANY**

2215 East River Road

Dayton, Ohio 45439

#### **Parts Department**

Toll Free 1-800-745-6238 • Fax (937) 290-0585

E-Mail: [info@globefoodequip.com](mailto:info@globefoodequip.com)

Website: [www.globefoodequip.com](http://www.globefoodequip.com)

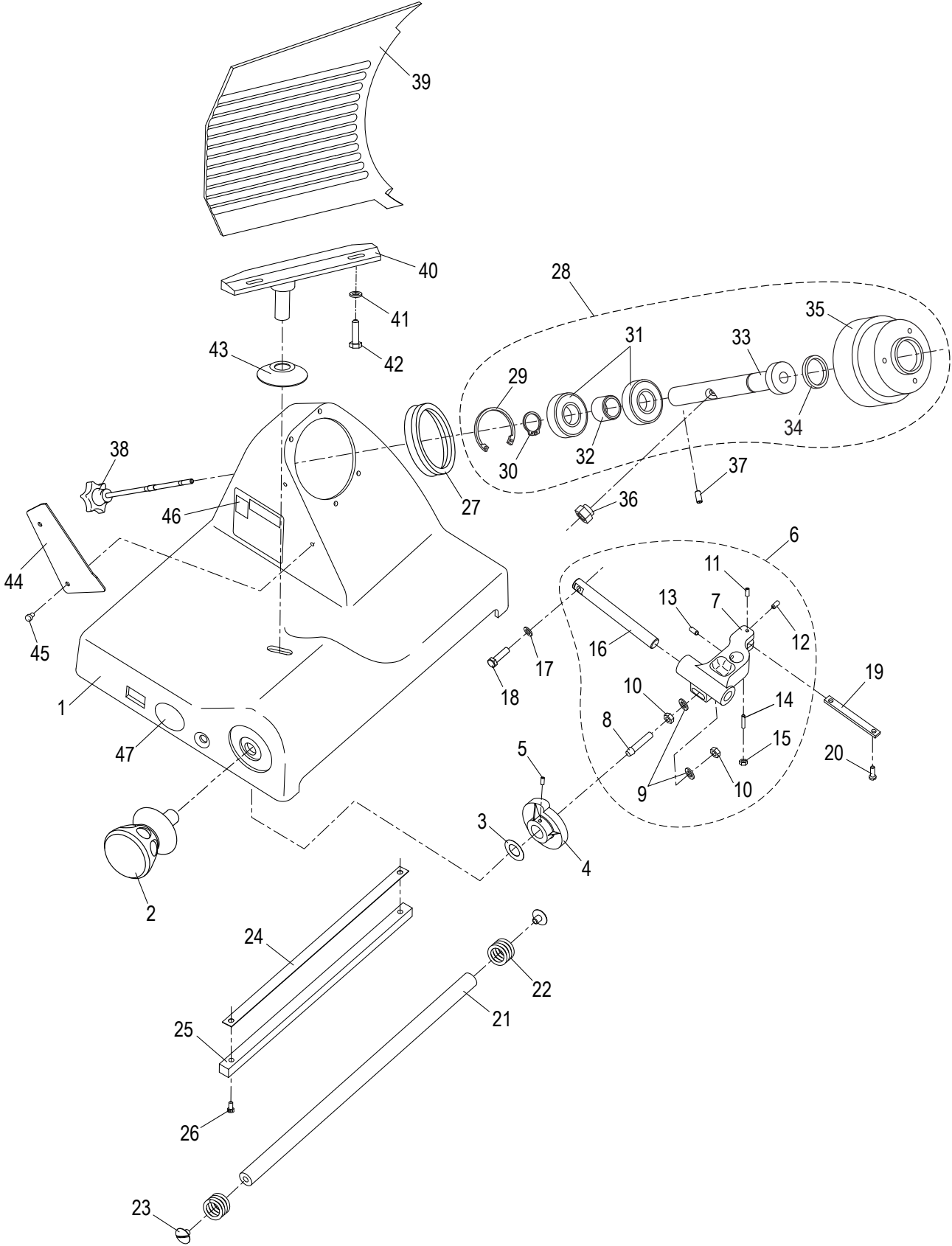
Not for resale



# TABLE OF CONTENTS

Serial Number 600748 and Up	Page
Base Components	1 - 2
Chute Components	3
Knife & Sharpener Components	4
Auto Drive Components	5 - 6
Electrical Components	7
Wiring Diagram	8

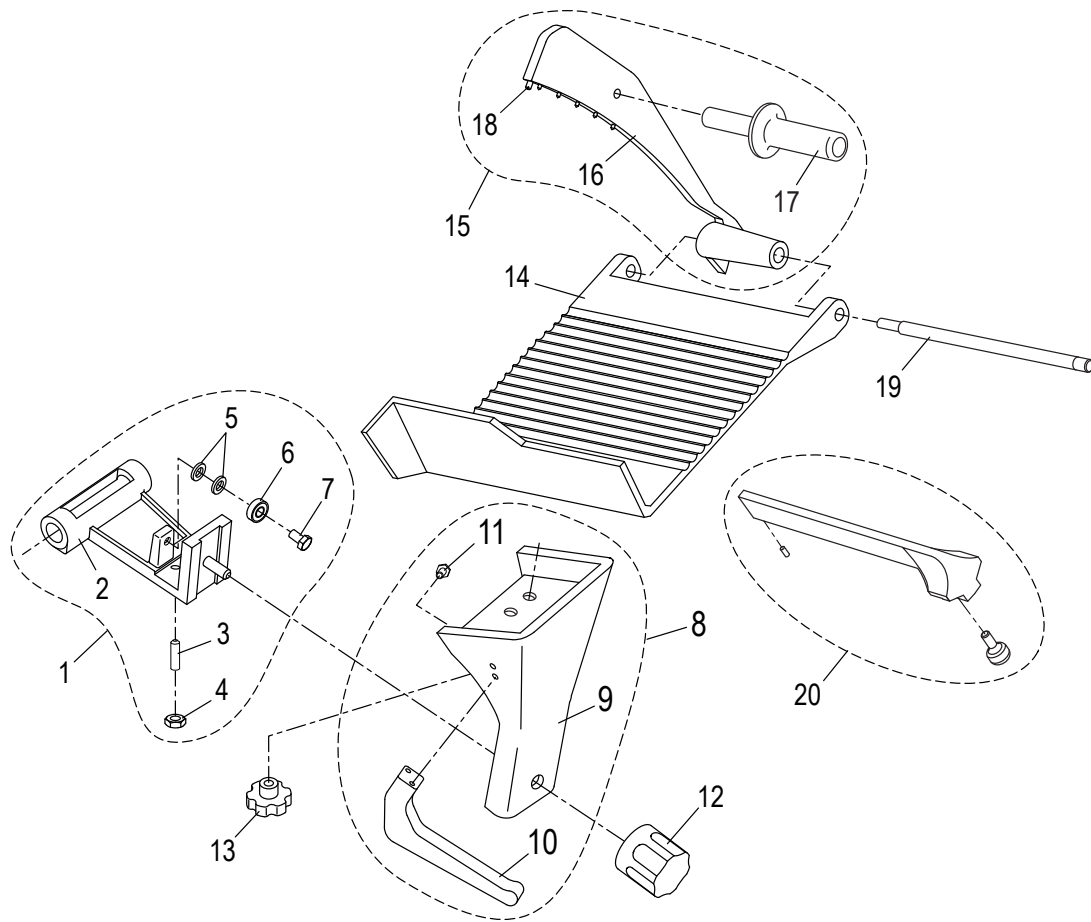
# G12A BASE COMPONENTS



# G12A BASE PARTS LIST

Item	Description	Qty	Part Number	Hardware
1	Slicer Base	1	-	
2	Table Adjustment Knob	1	M00209	
3	Wave Washer	1	M003	
4	Table Adjustment Cam	1	M004	
5	Set Screw , Table Adjustment Cam	2	H00181	
6	Table Slide Assembly (Items 8-17)	1	M305	
7	Table Slide	1	-	
8	Stud, Cam Actuator	1	M013	
9	Flat Washer	2	H00191	
10	Hex Nut, Table Slide Bottom	2	H00192	
11	Set Screw, Table Slide Top	1	H00182	
12	Set Screw, Table Slide End	1	H00185	
13	Set Screw, Table Slide Side	2	H00186	
14	Set Screw, Table Slide Bottom	1	H00188	
15	Hex Nut , Table Slide Bottom	1	H00028	
16	Table Slide Rod	1	MR36	
17	Slide Rod Flat Washer	2	H00191	
18	Slide Rod Screw, Hex Head	2	H00116	
19	Table Slide Plate	1	M016	
20	Slide Plate Screw	2	H00061	
21	Carriage Slide Rod	1	M059	
22	Carriage Spring	2	M061	
23	Slide Rod Screw	2	M060	
24	Wear Strip, Slide Bar	1	M063	
25	Slide Bar, Square	1	M062	
26	Slide Bar Screw	2	H00056	
27	Motor Hub Seal	1	MGI77/5	
28	Knife Hub Assembly (Items 30-36)	1	M319	
29	Retaining Ring, Internal	1	H00193	
30	Retaining Ring, External	1	H00195	
31	Bearing	2	M020	
32	Spacer, Knife Pulley	1	M021	
33	Shaft, Knife Hub	1	M00241	
34	Oil Seal, Hub	1	MR12/7	
35	Pulley, Knife Hub	1	MCR12/2	
36	Microswitch Mounting Bolt	1	MCR61	
37	Knife Shaft Set Screw	1	H00184	
38	Knife Cover Release Knob	1	M00225	
39	Table	1	M00232	
40	Table Support	1	M00227	
41	Table Support Washer	2	H00191	
42	Table Support Screw	2	H00196	
43	Hole Cover, Base	1	M00228	
44	Knife Wiper	1	M097	
45	Thumb Screw, Knife Wiper	2	MCC23	
46	Warning label	1	M91022	
47	Label, Globe Logo	1	M91021	

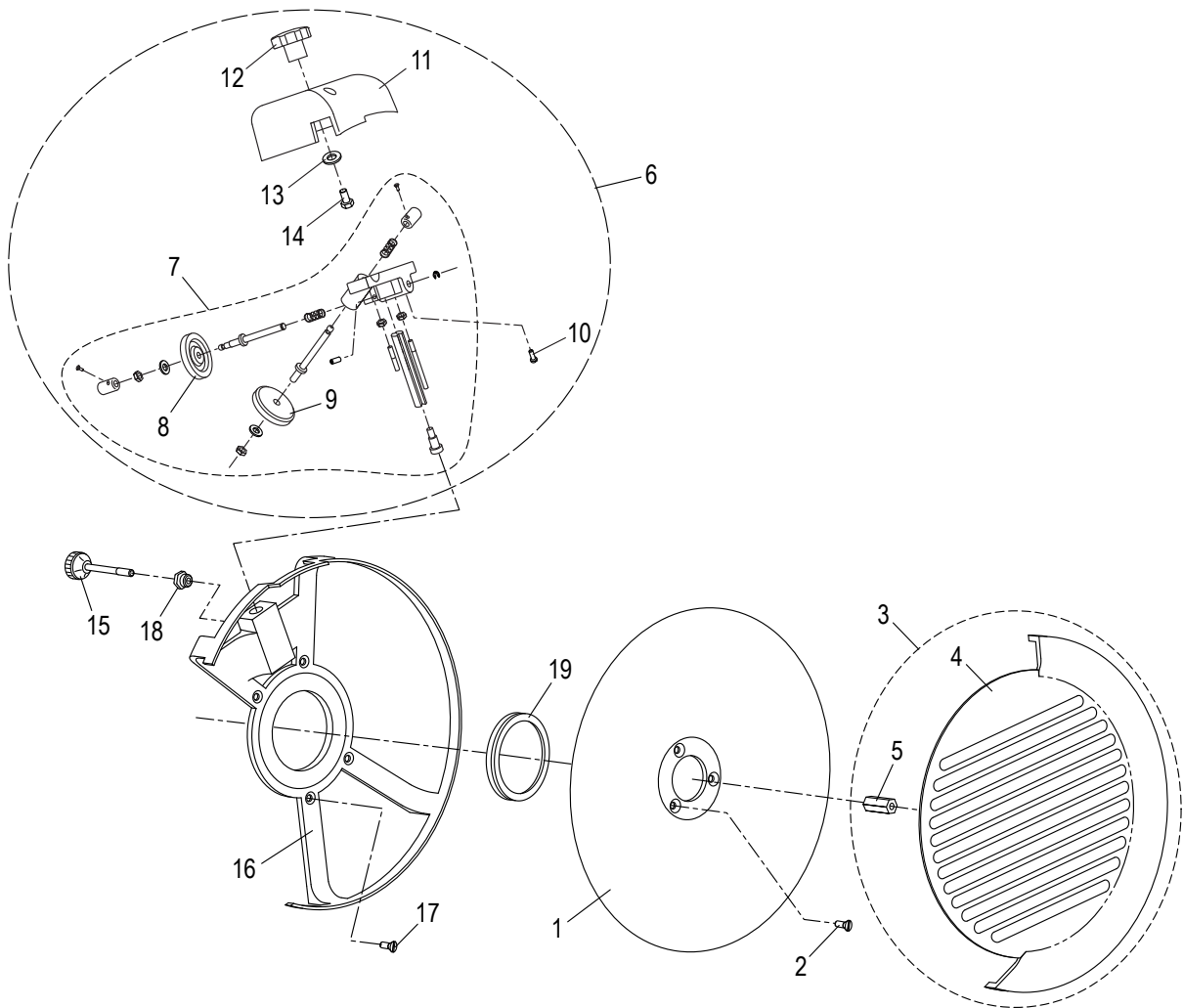
# G12A CHUTE COMPONENTS



Item	Description	Qty	Part Number	Hardware
1	Chute Slide Assy (Item 2 - 7)	1	M00291	
2	Chute Slide	1	-	
3	Brass Stud	1	M053	
4	Stud Nut	1	H00192	
5	Bearing Washer	2	H00191	
6	Bearing	1	M056	
7	Bearing Screw	1	H00117	
8	Chute Support Assembly (Item 9 - 12)	1	M00282	
9	Chute Support	1	M00363	
10	Chute Support Handle	1	M067	
11	Chute Support Handle Screw	2	H00156	
12	Chute Support Knob	1	M00268	
13	Chute Release Knob	1	M00254	
14	Chute	1	M00386	
			*M01068	
15	End Weight Assembly (Item 17 - 19)	1	M00286	
			*M01069	
16	End Weight	1	-	
17	End Weight Handle	1	M00261	
18	End Weight Bumper	1	MC39	
			*M01070	
19	End Weight Rod	1	M00283	
			*M01071	
20	Chute Fence Assembly	1	M500A	

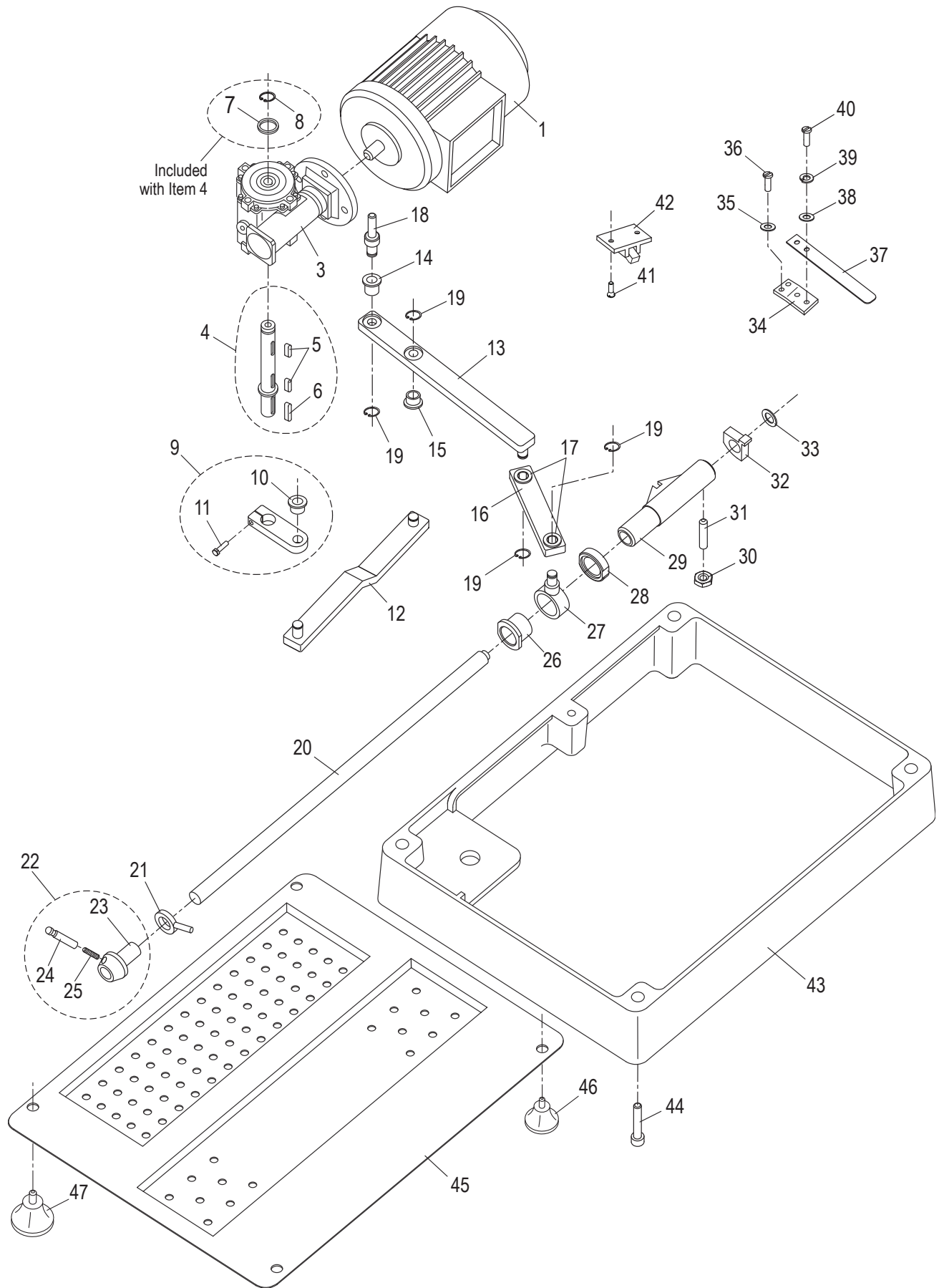
\* Use after Serial Number 601330

# G12A KNIFE AND SHARPENER COMPONENTS



Item	Description	Qty	Part Number	Hardware
1	Knife	1	M047	
2	Knife Mounting Screw	3	H00201	56-A
3	Knife Cover Assembly	1	M349	
4	Knife Cover	1	-	
5	Knife Cover Insert	1	M049A	
6	Sharpener Assembly with Cover	1	M377	
7	Knife Sharpener Assembly	1	MC017	
8	Deburring Stone	1	M092	
9	Sharpening Stone	1	MCC17	
10	Sharpener Cover Screw	2	H00187	M5 x 0.8 x 15mm
11	Sharpener Cover	1	M074	
12	Sharpener Cover Knob	1	M075	
13	Cover Knob Washer	1	M035	
14	Cover Knob Screw	1	H00197	M6 x 16mm - Zinc
15	Sharpener Release Knob	1	M096	
16	Knife Rim Guard	1	M044	
17	Rim Guard Mounting Screw	4	H00435	
18	Knife Rim Guard Insert	1	M045	
19	Knife Seal, V Ring - VA 80	1	M00405	

# G12A AUTO DRIVE COMPONENTS

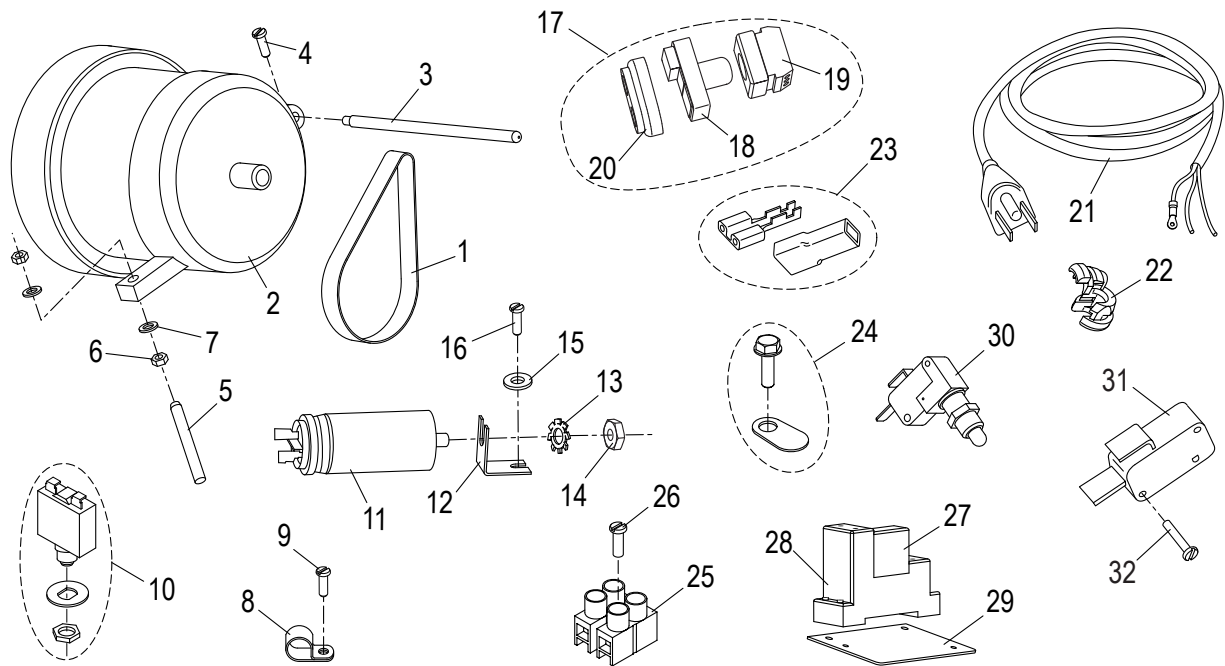




# G12A AUTO DRIVE PARTS LIST

Item	Description	Qty	Part Number	Hardware
1	Chute Motor	1	M120	
2	Motor Key (Not Shown)	1	M120-K	
3	Reducing Gear	1	M121	
4	Auto Drive Shaft (Item 5 - 8)	1	M129	
5	Machine Key	2	H00323	
6	Machine Key	1	H00324	
7	Spacer	1	-	
8	Retaining Ring, External	1	H00317	
9	Auto Drive Coupling	1	M130	
10	Sleeve Bearing, Long	1	M137	
11	Coupling Screw	1	H00043	
12	Connecting Rod A	1	M131	
13	Connecting Rod C	1	M133	
14	Sleeve Bearing, Long	1	M137	
15	Sleeve Bearing, Short	1	MCRS8/2	
16	Connecting Rod B	1	M132	
17	Sleeve Bearing, Long	2	M137	
18	Pivot	1	M144	
19	Retaining Ring, External	4	H00317	
20	Chute Slide Rod	1	M127	
21	Stop Ring	1	M147	
22	Auto Engage Lever Hub Assembly	1	M01076	
23	Auto Engage Lever Hub	1	-	
24	Auto Engage Lever	1	-	
25	Set Screw	1	-	M3 x .5 x 20mm
26	Bushing, Chute Slide (Nylon)	1	M125	
27	Actuator Slide Ring	1	M124	
28	Chute Slide Nut (Nylon)	1	M123	
29	Chute Slide Tube	1	M122	
30	Chute Slide Stud	1	M126	
31	Jam Nut	1	H00318	
32	Cam	1	M136	
33	Wavy Washer	1	MB32	
34	Engagement Spring Mounting Bracket	1	M135	
35	Mounting Bracket Washer	2	H00063	
36	Mounting Bracket Screw	2	H00319	
37	Engagement Spring	1	M134	
38	Engagement Spring Washer	2	H00063	
39	Engagement Spring Lock Washer	2	H00011	
40	Engagement Spring Mounting Screw	2	H00061	
41	Chute Slide Coupling	1	M143	
42	Slide Coupling Mounting Screw	2	H00305	
43	Apron, Chute Drive	1	M118BA	
44	Apron Mounting Screw	4	H00316	
45	Bottom Cover	1	M00325	
46	Back Foot	2	M115	
47	Front Foot	2	M00229	

# G12A ELECTRICAL COMPONENTS



Item	Description	Qty	Part Number	Hardware
1	Drive Belt	1	M024	
2	Knife Motor	1	M030	
3	Post, Motor Pivot	1	M031	
4	Screw	1	H00189	
5	Set Screw	1	M033	
6	Hex Nut	2	M034	
7	Flat Washer	2	M035	
8	Cable Clamp	1	M037	
9	Cable Clamp Screw	1	H00061	
10	Motor Reset Switch	1	M038	
11	Capacitor, 16 $\mu$ f	2	M039	
12	Capacitor Mounting Bracket	2	-	
13	Lock Washer	2	H00335	
14	Hex Nut	2	H00192	
15	Capacitor Washer	2	H00063	
16	Capacitor Mounting Screw	2	H00061	
17	Power Switch Assembly	1	M01081	
18	Operator Push Button	1	MCB58	
19	Power Switch Electrical Card	1	-	
20	Power Switch Cover	1	-	
21	Power Cord & Plug	1	M110	
22	Strain Relief	1	M111	
23	Terminal & Insulator Set	20	M00233	
24	Ground Screw/Marking Tab Set	1	M00334	
25	Terminal Block	1	MB80/2	
26	Terminal Block Mounting Screw	1	H00203	
27	Relay	1	MCRS75	
28	Relay Socket	1	MCRS76	
29	Relay Mounting Plate	1	M149	
30	Hub Assembly Microswitch	1	M026	
31	Chute Drive Microswitch	1	M139	
32	Microswitch Mounting Screw	2	H00204	

# WIRING DIAGRAM - 115V, 50/60/Hz, 1 PH

