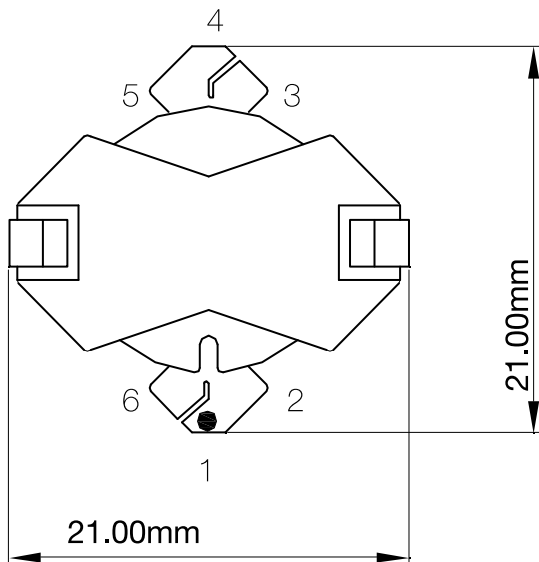


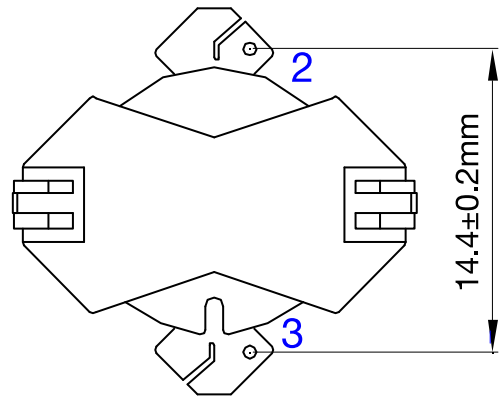
**MAMMOTH ELECTRONICS ME-6 WAH INDUCTOR**  
**ELECTRICAL SPECIFICATIONS@25°C:**

L (1KHz/0.3V) : 570mH±10%  
DCR: 40Ω MAX  
HI-POT: Windings TO CORE AC200V/1mA/1S

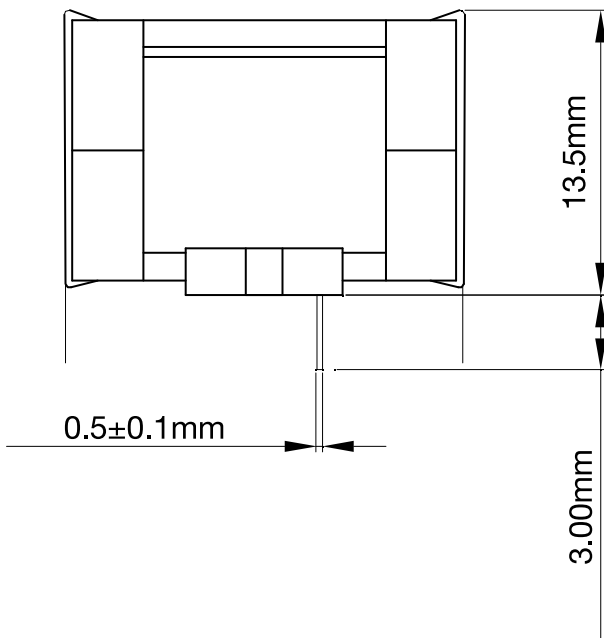
Top View



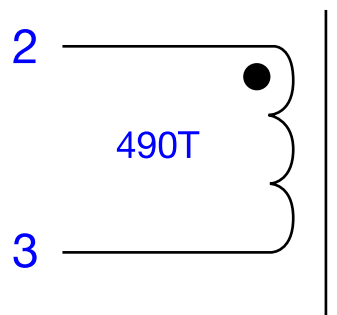
Bottom View



Side View



Schematics



RoHS  
Compliant

