

## MAMMOTH ELECTRONICS ME-6 WAH INDUCTOR

ELECTRICAL SPECIFICATIONS@25°C:

L (1KHz/0.3V) : 570mH±10%

DCR: 40Q MAX

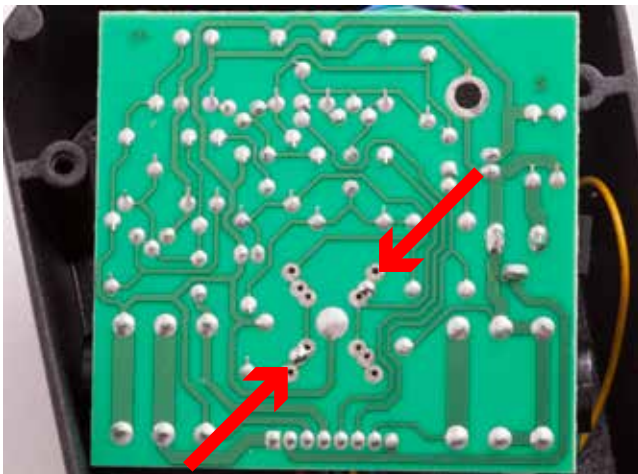
HI-POT: Windings TO CORE AC200V/1mA/1S



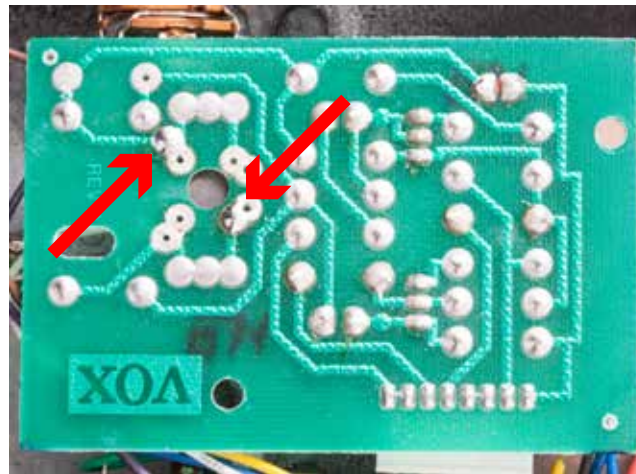
# Installing a Mammoth Electronics ME-6 Wah Inductor In a Crybaby, an old Vox Wah, or a new Vox Wah!

1. Desolder old inductor and remove.
2. Replace with Mammoth Electronics ME-6 Wah Inductor.

### Crybaby:



### Old Vox



### New Vox:

