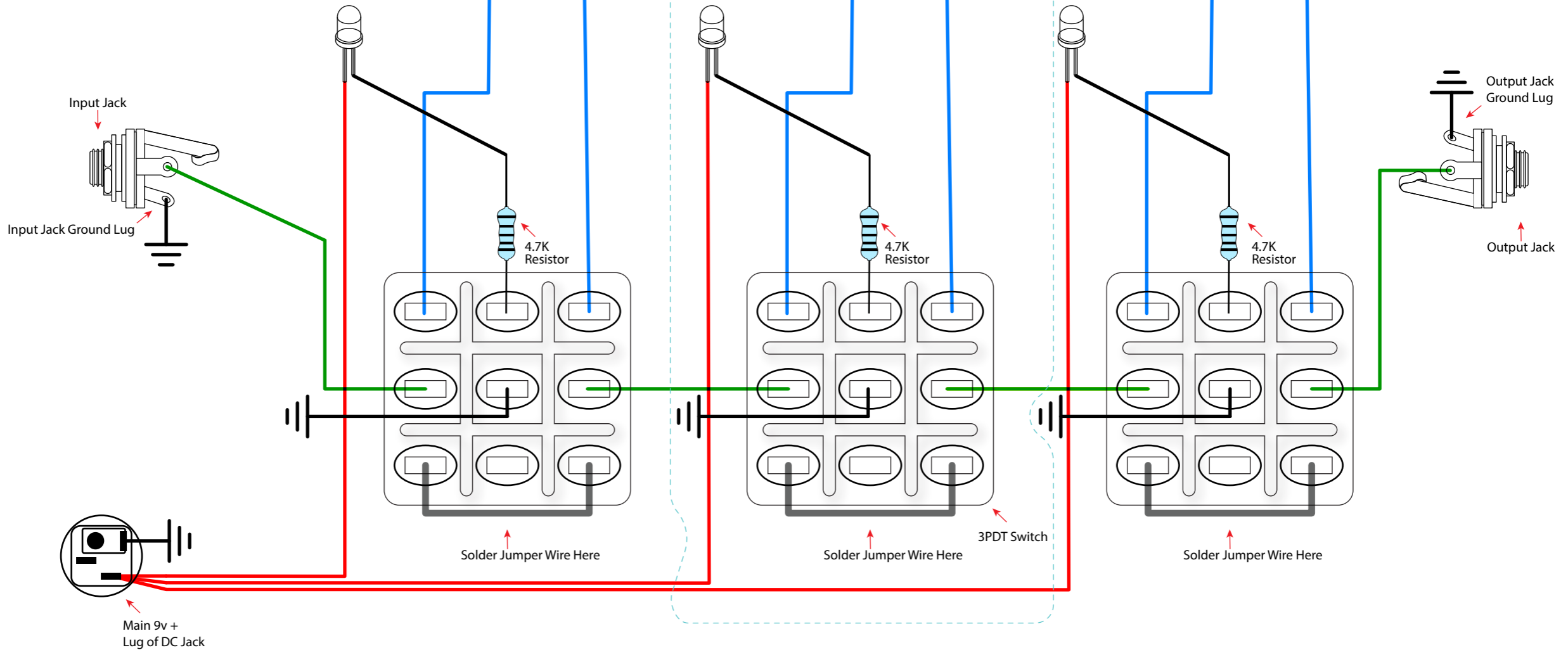


Three Lace Looper Wiring Diagram 3PDT True Bypass Switch




Note: if you're building a Four Lace or Five Lace Looper, simply repeat the same steps portrayed in the loop that is outlined.

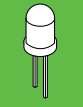
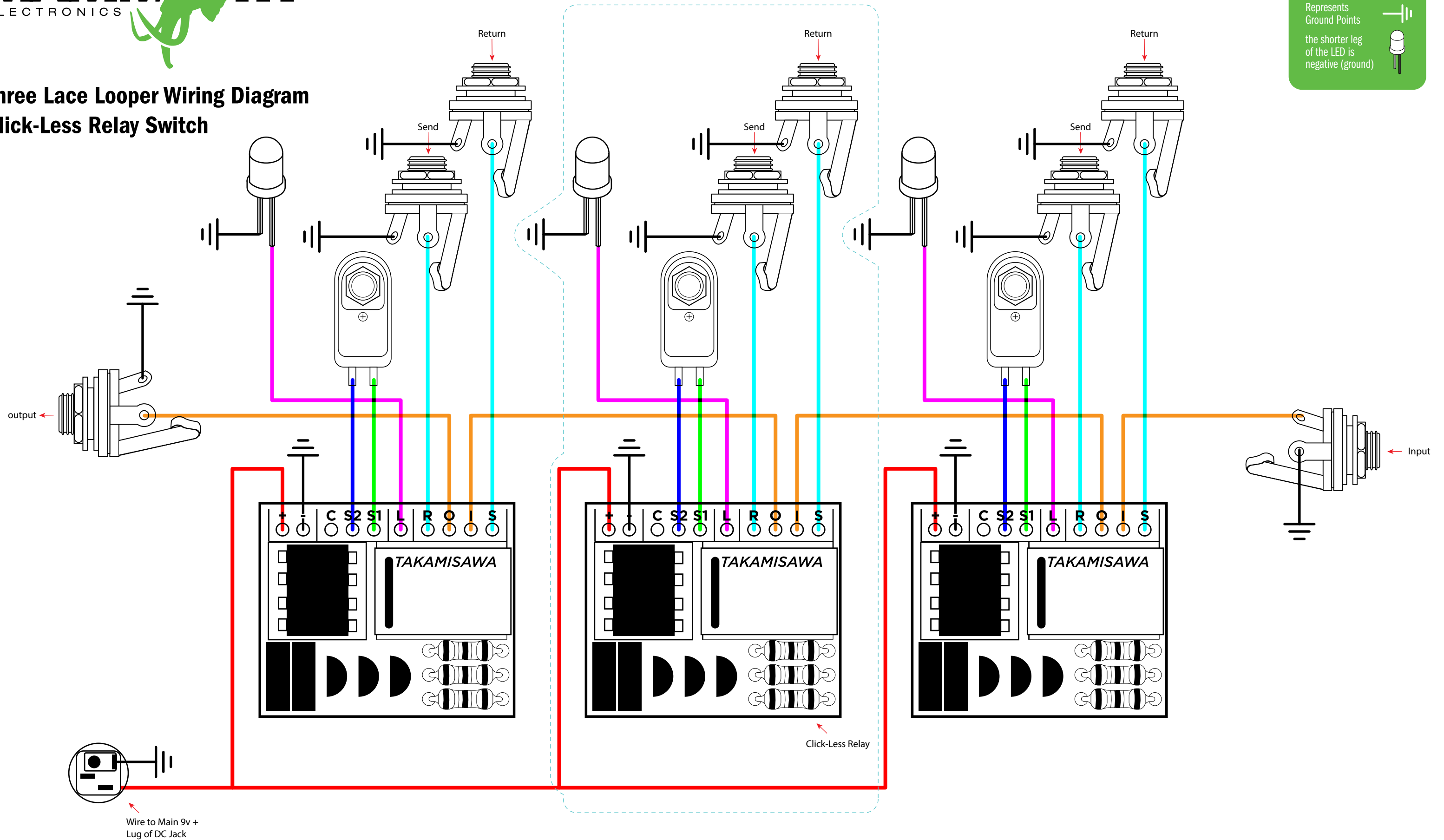
If you have any questions about building the Three Lace Looper or need any help with trouble-shooting, please send us an email at sales@mammothelectronics.com or give us a call at 405-254-4112.

Three Lace Looper Wiring Diagram
Click-Less Relay Switch

Represents Ground Points



the shorter leg of the LED is negative (ground)

Wire to Main 9v + Lug of DC Jack

Note: if you're building a Four Lace or Five Lace Looper, simply repeat the same steps portrayed in the loop that is outlined.

If you have any questions about building the Three Lace Looper or need any help with trouble-shooting, please send us an email at sales@mammothelectronics.com or give us a call at 405-254-4112.