

MASTER CHEF

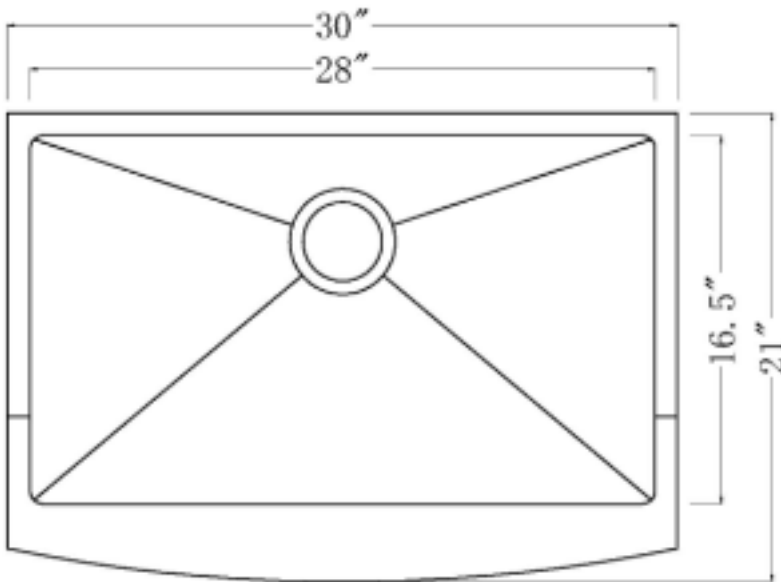
PROFESSIONAL CULINARY

SINKS

Specifications

MARSEILLE 30 RADIAL

STAINLESS STEEL CULINARY SINK



Features:

Our Master Chef Series sinks are hand-forged with ultra-thick 15 gauge premium stainless steel. These sinks are crafted to perfection with restaurant gauge steel, large sound dampening pads, and bowls angled for superior water drainage.

- Stainless Steel Culinary Sink
- Bowed Apron Front Kitchen Sink
- LARGE SINGLE Bowl
- Undermount Installation Only
- Premium 15 Gauge Thickness
- Smooth Brushed Finish
- Trough sink design
- High-End Sound Dampening Technology
- Rounded/Radial corners on the inside of the sink basin
- * LIFE TIME WARRANTY

MARSEILLE 30 RADIAL

Outside Dimensions	30" x 21"
Inside Dimensions	28" x 16.5"
Depth	10"
Apron	9"



CHARIOT PLUMBING SUPPLY AND DESIGN • 698 W 2090 S • Salt Lake City, UT 84119

(801)746-0418

Sales@Chariotwholesale.com

www.Chariotwholesale.com

MARSEILLE 30 RADIAL | STAINLESS STEEL CULINARY SINK