

# MASTER CHEF

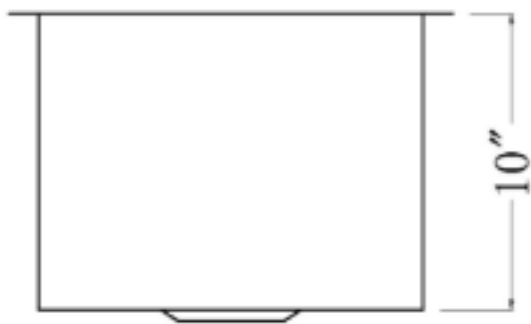
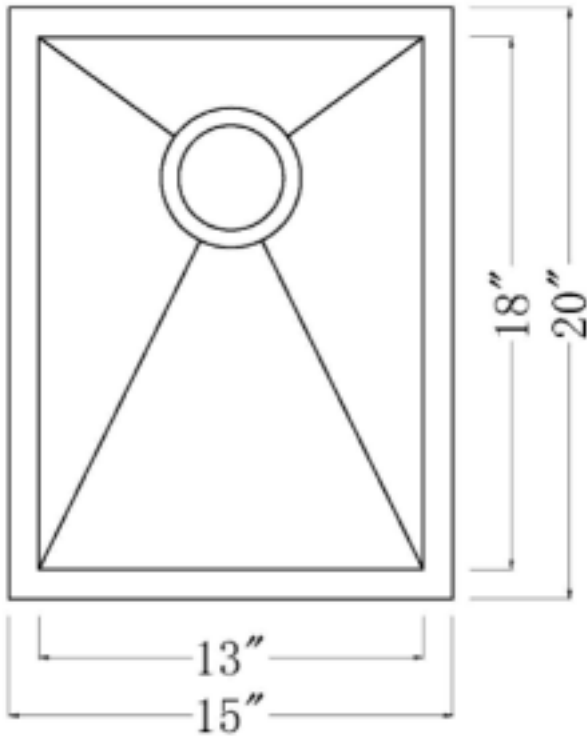
## PROFESSIONAL CULINARY

### SINKS

Specifications

## LYON

### STAINLESS STEEL CULINARY SINK



#### Features:

Our Master Chef Series sinks are hand-forged with ultra-thick 15 gauge premium stainless steel. These sinks are crafted to perfection with restaurant gauge steel, large sound dampening pads, and bowls angled for superior water drainage.

- Stainless Steel Culinary Sink
- SINGLE Bowl Bar/ Utility Sink
- Undermount Installation Only
- Premium 15 Gauge Thickness
- Smooth Brushed Finish
- Trough sink design
- High-End Sound Dampening Technology
- Square 90° angles on internal corners of sink basin
- \* LIFE TIME WARRANTY

LYON	
Outside Dimensions	20" x 15"
Inside Dimensions	18" X 13"
Depth	10"



CHARIOT PLUMBING SUPPLY AND DESIGN • 698 W 2090 S • Salt Lake City, UT 84119

(801)746-0418

Sales@Chariotwholesale.com

www.Chariotwholesale.com

LYON | STAINLESS STEEL CULINARY SINK