



# Adams Rite Product Catalog

U.S. & Canada effective February 1, 2019



ASSA ABLOY, the global leader  
in door opening solutions

# 4560 Series Deadlatch Handles

The 4560 Series Deadlatch Handles easily unlock the 4300, 4500 and 4900 Series Deadlatches. These handles fit solidly into the cylinder hole of Adams Rite deadlatches.

## Function

Designed to operate 4300, 4500 and 4900 Series Deadlatches by a natural downward hand movement, these handles incorporate an activator cam disc that mounts on the handles' escutcheon and fits solidly into the cylinder hole of the latch. Not intended for use as a door pull.

**4560** handles feature an ADA compliant lever shaped to fit the hand.

**4565** handles feature a thumbturn of minimum practical length.

**4568** handles feature an ADA compliant lever shaped to fit the hand.

**4569** handles feature a return end, often required by code.

## Features

### Handle

Handle of cast aluminum.

**4560:** ADA compliant lever is shaped to fit the hand, with a concave thumb-rest portion that tends to keep knuckles and thumb safely away from the jamb, even on a short backset narrow stile.

**4565:** Thumbturn of minimum practical length is designed to offer a firm grip to the fingertips. Ideal for doors where the latch is operated infrequently.

**European styling of 4568 and 4569** offers a generous hand grip with shank offset from the narrow stile jamb for hand safety. Rugged construction ensures dependable performance, with a high-wear spring to return the handle to position after use.

**4568:** ADA compliant lever is shaped to fit the hand.

**4569:** ADA compliant lever features a return end, often required by code. Please verify local code requirements to ensure compliance.

### Escutcheon

A 1/4" [6.4 mm] square heat-treated spindle is part of escutcheon assembly, which interlocks with the cam plug. Finished to match lever.

**4560, 4565** use the same sloping 1-3/8" x 4" [34.9 mm x 101.6 mm] escutcheon, designed to match the clean lines of a narrow stile door.

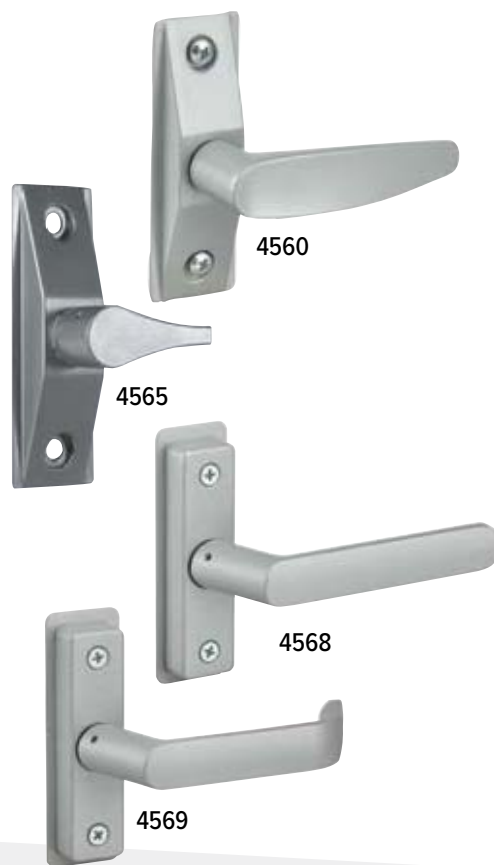
**4568, 4569** use the same 1-3/8" x 4" [34.9mm x 101.6mm] escutcheon, designed to match the clean lines of a narrow stile door. Steel mounted base is secured by hidden screws and has two large helical compression springs (one becomes a "spare" once handing is given).

### Cam Plug

Secured in latch body by cylinder set screw, the plug is also rigidly tied to handle escutcheon by hardened steel pins. Handing can be reversed by removing a spring clip, reversing the cam, and replacing the clip.

### Standard Package

Individually packaged with mounting hardware and cam plug handed LH or RH as specified.



### Shipping Weight

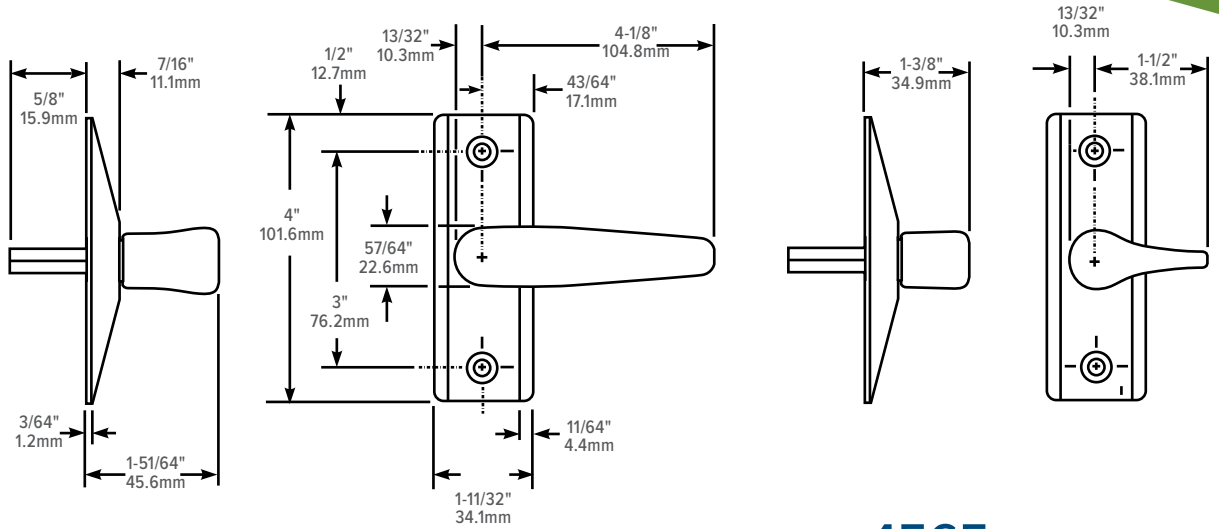
2 lbs [0.91 kg].

**4560, 4565** are also available bulk-packed in cartons, up to 100 per carton. Please contact factory for more information.

## Options

- Ordered for left hand (LH) or right hand (RH) door, but is easily reconfigured in the field to accommodate either door swing.
- Standard handles are for 1-3/4" [44.5 mm] thick doors. Please contact factory for doors up to 3-1/4" [82.6 mm] available by special order.
- Available in choice of powder coat 119 to match 335 Black anodized, 121 to match 313 Dark bronze anodized, and 130 to match 628 Clear anodized.

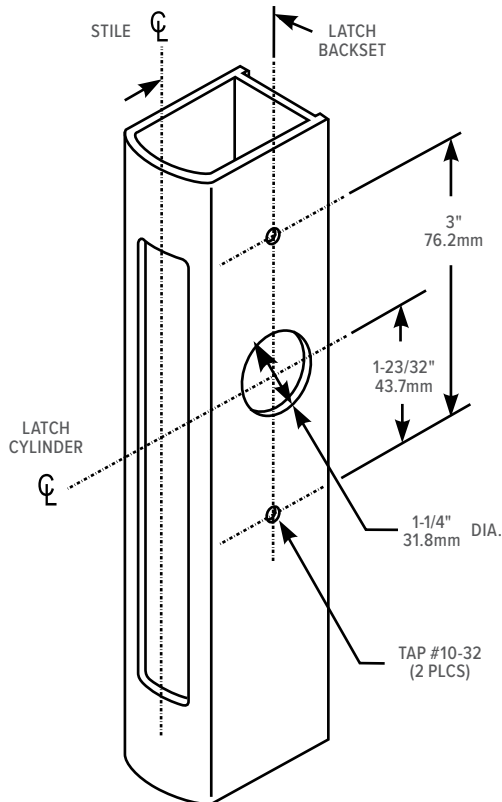
## Dimensions



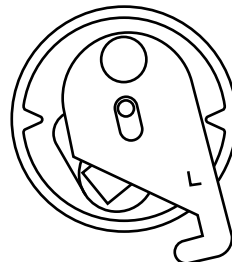
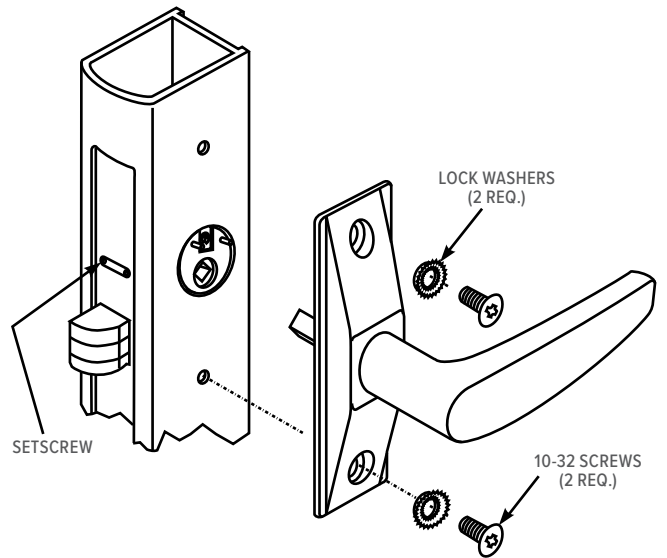
4560

4565

## Narrow Stile Preparation

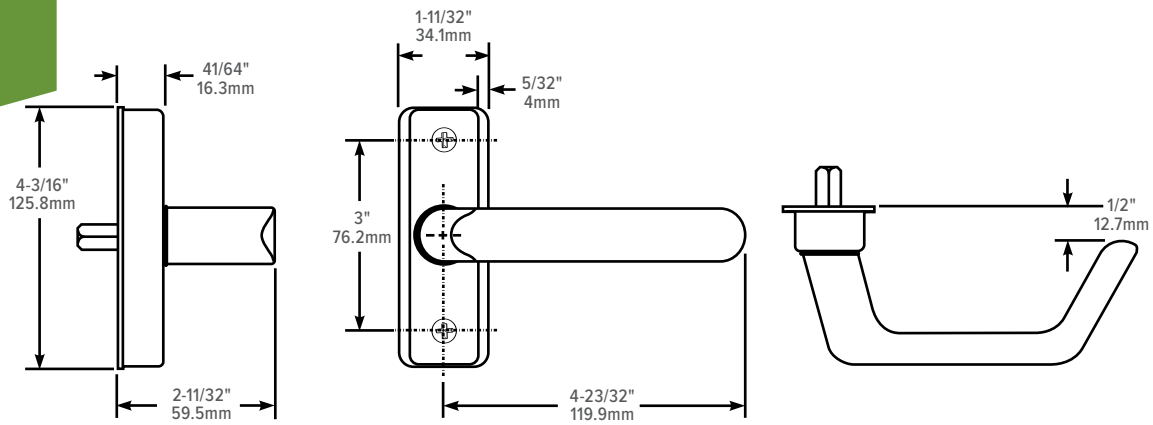


## Installation



**REVERSIBLE 4580 CAM DISC**  
Included with 4560 Series  
Deadlatch Handles.  
Required to operate  
4500 / 4900 / existing 4700 series latches.

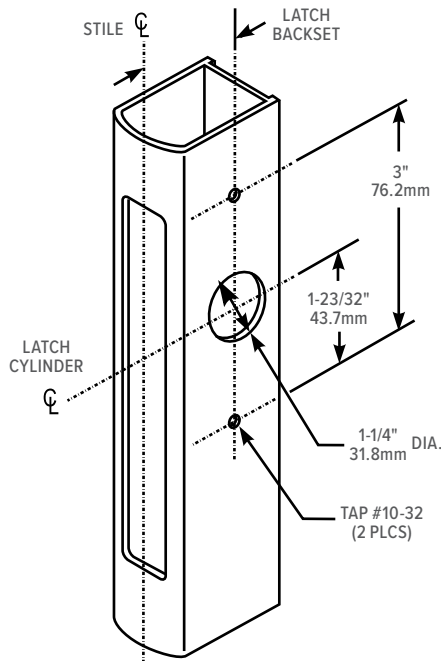
# Dimensions



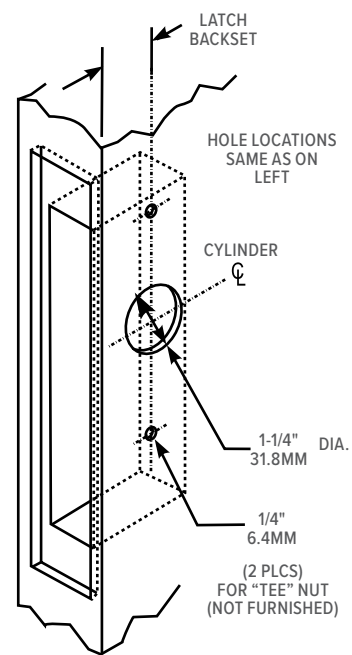
**4568**

**4569**

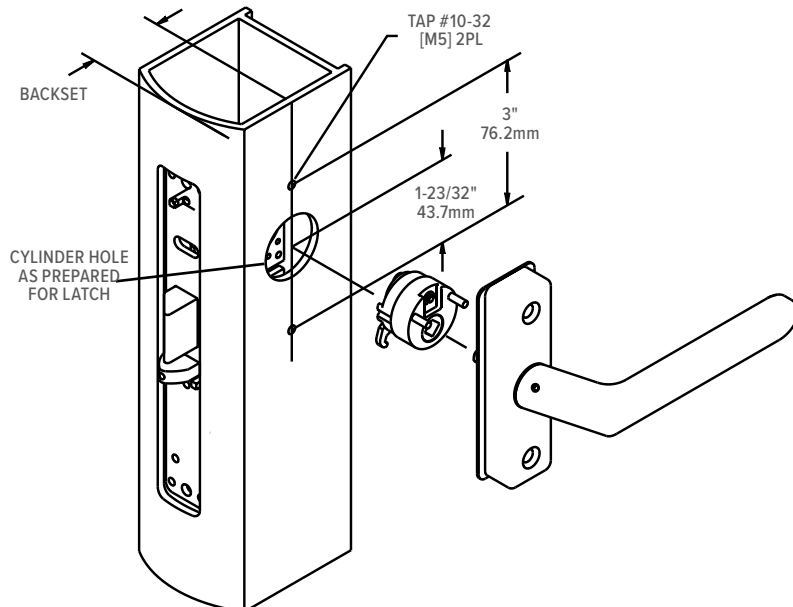
## Narrow Stile Preparation



## Wood Door Preparation



## Installation



## How to Order & Compatible Products

**4560, 4565 Deadlatch Handles:** Specify quantity and the following information. Order related products separately.

MODEL	HANDLE TYPE	HANDING	DOOR THICKNESS	FINISH
456	0	-5	01	-130
	0 Lever	0 Using MS+1890	For 4300, 4500, 4900 Series Deadlatches	119 To match 335 Black Anodized
	5 Turn	5 LH or LHR	01 1-3/4" to 2"	121 To match 313 Dark Bronze Anodized
		6 RH or RHR	02 2-1/4" to 2-1/2"	130 To match 628 Clear Anodized
			03 2-3/4" to 3"	
			04 3-1/4"	
			For MS+1890	
			11 1-3/4"	
			12 1-3/4" to 2-1/4"	
			13 2-5/16" to 2-3/4"	

**4568, 4569 Deadlatch Handles:** Specify quantity and the following information. Order related products separately.

MODEL	LEVER TYPE	HANDING	DOOR THICKNESS	FINISH
456	8	-5	01	-130
	8 Straight	0 Using MS+1890	For 4300, 4500, 4900 Series Deadlatches	119 To match 335 Black Anodized
	9 Return End	5 LH or LHR	01 1-3/4" to 2"	121 To match 313 Dark Bronze Anodized
		6 RH or RHR	02 2-1/4" to 2-1/2"	130 To match 628 Clear Anodized
			03 2-3/4" to 3"	
			04 3-1/4"	
			For MS+1890	
			11 1-3/4" to 1-15/16"	
			12 1-3/4" to 2-1/4"	
			13 2-5/16" to 2-3/4"	
			14 3"	

### COMPATIBLE

DEADLOCKS	DEADLATCHES
MS+1890 Deadlock/Latch 2190 Series Interconnected Deadbolt/Deadlatch (4568, 4569 only)	4300 Electrified Deadlatches, 4510, 4530, 4900, 4920AN Series Deadlatches.