



Adams Rite Product Catalog

U.S. & Canada effective February 1, 2019



ASSA ABLOY, the global leader
in door opening solutions

4089

Exit Indicator

4089 Exit Indicator provides exit door notification for various Adams Rite deadlocks.

Function

Provides unmistakable notification of lock status. Under many local building safety codes this allows the use of a security deadlock instead of exit devices, in certain occupancies. It includes two permanent adhesive header signs: "THIS DOOR TO REMAIN UNLOCKED DURING BUSINESS HOURS." (that wording is according to Uniform Building Code). The second sign for NFPA and other local codes reads: "THIS DOOR TO REMAIN UNLOCKED WHEN THE BUILDING IS OCCUPIED.". Please consult local Authority Having Jurisdiction (AHJ) for more information.



Aluminium

Hollow
Metal

Wood

Features

Indicator

Words "LOCKED" in red letters or "OPEN" in green letters appear on white background when bolt is thrown or retracted respectively. Indicator is driven by lock bolt itself.

Materials

Indicator escutcheon is zinc alloy. Available in choice of powder coat 119 to match 335 Black anodized, 121 to match 313 Dark bronze anodized, and 130 to match 628 Clear anodized. Header sign is clear aluminum match with black letters.

Shipping weight

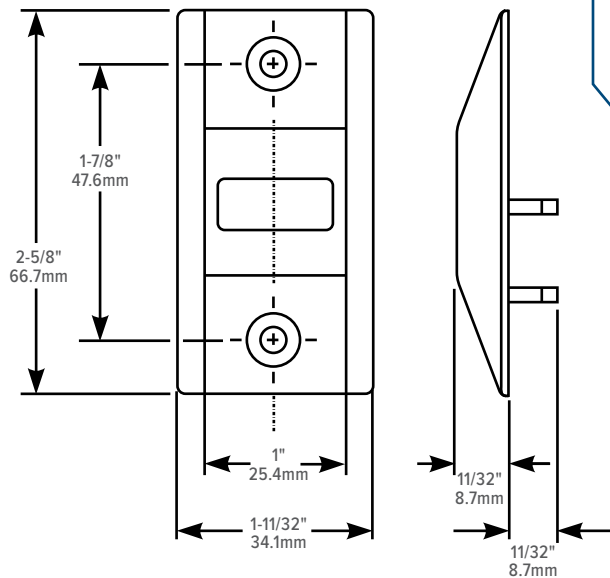
1/2 lb [0.23 kg].

Options

- Standard unit fits 1-3/4" [44.5 mm] door. Specify for thicker doors up to 2-1/2" [63.5 mm].



Dimensions



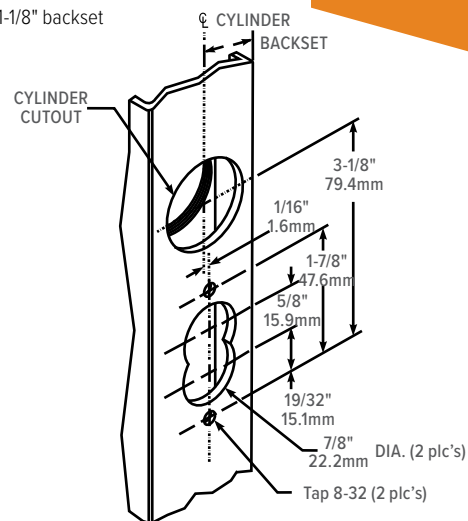
HEADER SIGN - IN TWO PIECES*



*This sign correct under Uniform Building Code. Also includes NFPA wording "This Door to remain unlocked when the building is occupied".

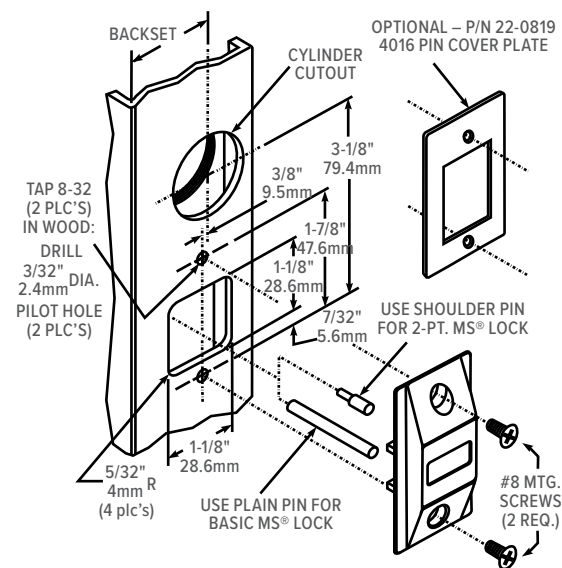
Aluminium Stile Preparation

For 31/32" or 1-1/8" backset



Wood & Hollow Metal Stile Preparation

For 1-1/2" backset



How to Order, Related & Compatible Products

4089 Exit Indicator: Specify quantity and the following information. Order related products separately.

MODEL	OPTIONS	FINISH
4089	-01	-130
	00 Standard 1-3/4" Door	119 To match 335 Black Anodized
	01 For Inverted Lock	121 To match 313 Dark Bronze Anodized
	20 For Doors up to 2-1/2"	130 To match 628 Clear Anodized

RELATED

When purchasing this product, please consider the following related products, available separately:

ACCESSORIES
91-0912 Adapter Plate, 22-0819 Cover Plate, 20-0255-IP Header Sign, 20-0256-IP IBC Header Sign

COMPATIBLE

DEADLOCKS	FLUSHLOCKS
MS1837, MS1850S, MS1850S-050, SCH1850S, MS1850SN, MS1850SN-050, SCH1850SN, MS+1890, MS1950, MS1950-050, Series Deadlocks	1870, 1870HM, 1877 Series Cylinder-Operated Flushbolts