



# Adams Rite Product Catalog

U.S. & Canada effective February 1, 2019

 Adams  
Rite

ASSA ABLOY

ASSA ABLOY, the global leader  
in door opening solutions



# 4085

## Header Bolt (Pairs of Doors Only)

4085 Header Bolt provides top-of-door third locking point for pairs of doors when working in conjunction with an MS® pivoted bolt deadlock and 4015 Threshold Bolt in the active leaf.

### Function

Designed to add a top-of-door third locking point for pairs of doors when used in conjunction with a pivoted bolt MS® deadlock and 4015 Threshold Bolt in the active leaf. The 4085 Header Bolt is mounted in the inactive leaf. This additional bolt, triggered by the pivoted MS® bolt, expands in a scissor-like action to center itself in its strike as it rises. This action saves the key holder from the difficulty of lining up the doors with three separate strikes, even if doors are misaligned due to faulty installation or settling. The 4085 Header Bolt can be added to any basic MS1850S, MS1850SN, MS1950 Series deadlock with the 4015 Threshold Bolt for a Maximum Security three-point locking solution.

### Operation

360° turn of key or thumbturn in basic MS® deadlock throws counterbalanced bolt into opposite door, kicking positioner bolt into header strike. Positioner bolt may be manually thrown before closing active leaf to reduce effort on key-bow. Key can be removed only when bolts are in a positively locked or unlocked position.



## Features

### Header Bolt

1/2" x 1-1/2" [12.7 mm x 38.1 mm]  
expanding bolt with 5/8" [15.9 mm]  
throw. Housed in 1-1/2" x 2-3/4" x 5/8"  
[38.1 mm x 69.9 mm x 15.9 mm] case.

### Adjustment

Minor adjustment of rod length is accomplished by turning nylon rod end.

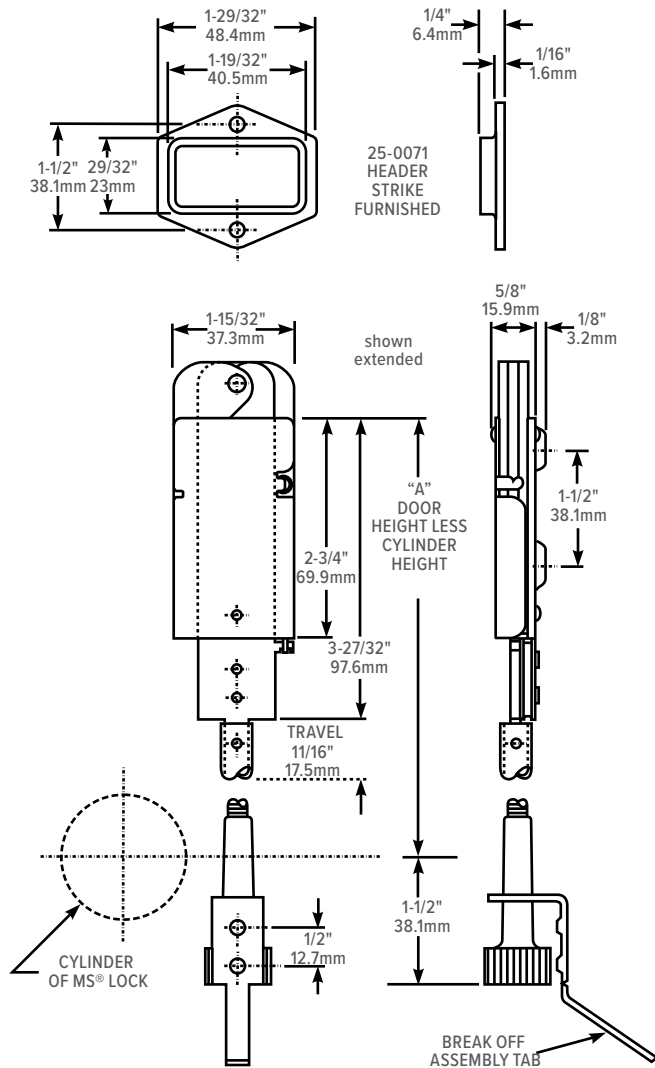
### Standard Package

Packed separately with rod guide, screws, and header strike.

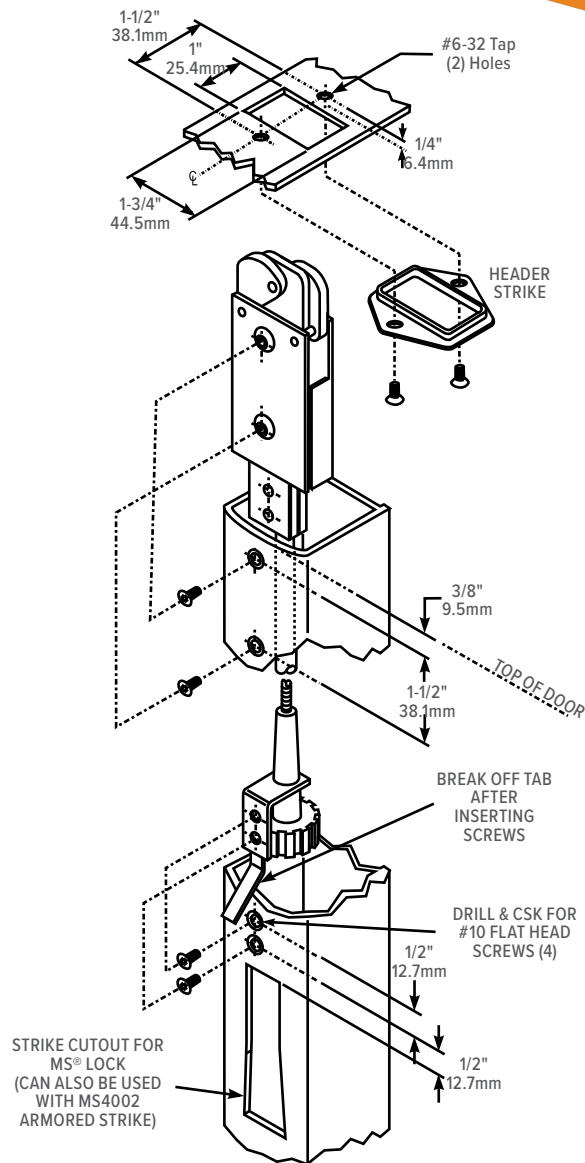
### Shipping Weight

1 lb [0.45 kg].

## Dimensions



## Header Preparation for Strike



## How to Order, Related & Compatible Products

**4085 Header Bolt (Pairs of Doors Only)** Specify quantity and the following information. Order related products separately.

MODEL	DIMENSION 'A'	PACKAGING
4085	-02	-IB
	01 30" - 52"	IB Individually Boxed
	02 52" - 67"	
	03 67" - 79"	
	04 79" - 92"	

### Example

DOOR HEIGHT	-	CYLINDER HEIGHT	=	A
96"	-	40"	=	56"

### Reference

7' Door is 84"	9' Door is 108"
8' Door is 96"	10' Door is 120"

### RELATED

When purchasing this product, please consider the following related products, available separately:

ACCESSORIES
4015 Threshold Bolt

### COMPATIBLE

DEADLOCKS
MS1850S, MS1850S-050, MS1850SN, MS1850SN-050, MS1950, MS1950-050 Series Deadlocks
Not applicable to 7/8" backset locks.