

## Miniature Timer Module

### SA-026Q

The **ENFORCER®** SA-026Q is a low-voltage miniature delay timer module that operates on 12 to 24 volts AC or DC. This timer module will extend the activation time of a momentary contact switch for 1~180 seconds via a field-adjustable potentiometer. Use with electrical locks that do not have a built-in time delay function. Its compact size makes it small enough to fit in a single-gang box or inside a door frame cavity.



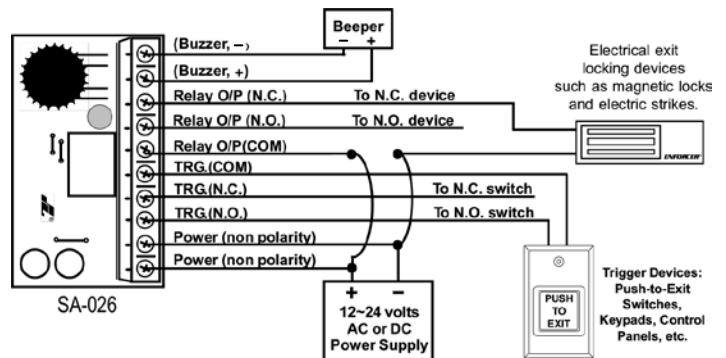
Actual Size:  
1<sup>3</sup>/<sub>16</sub>"x2<sup>9</sup>/<sub>32</sub>"x5<sup>1</sup>/<sub>8</sub>"

### Features:

- Adjustable timer from 1~180 seconds via an onboard potentiometer
- NO/NC Switch trigger
- Compact design: 1<sup>3</sup>/<sub>16</sub>"x2<sup>9</sup>/<sub>32</sub>"x5<sup>1</sup>/<sub>8</sub>" (30x58x16 mm)
- 12~24 VAC/VDC Operation
- Current: 2mA (standby), 75mA (active)
- Relay output: Form C (SPDT) via terminal blocks
- Contacts rated 2A@24VDC
- Built-in buzzer output (100mA@24VDC)
- Includes double-sided foam tape

### Sample Application:

For fail-safe electromagnetic locks



### Also Available from SECO-LARM®:



**SA-025Q**  
Multi-Purpose  
Programmable Timer



**SA-025EQ**  
Delayed Egress  
Timer



**SA-027WQ**  
7-Day  
Timer



**SA-027HQ**  
365-Day  
Annual Timer