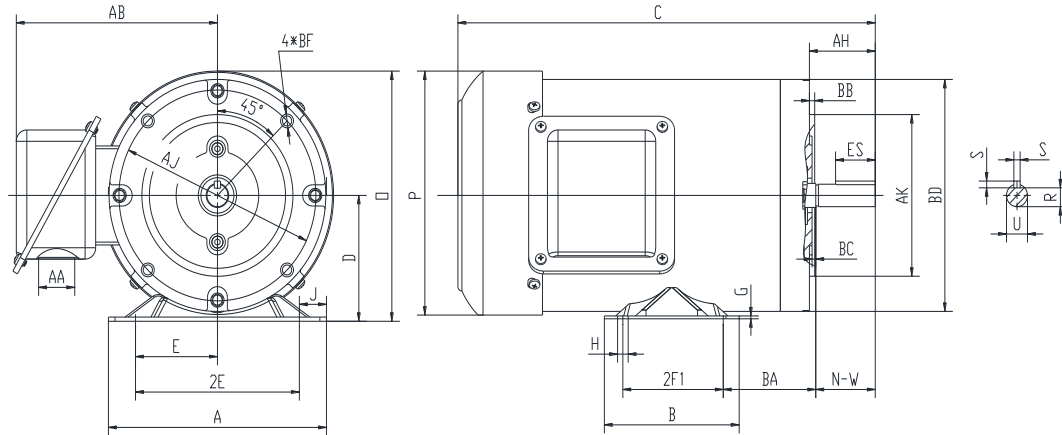


## F56C1/2M4A

GENERAL PURPOSE ELECTRIC MOTOR  
 HIGH EFFICIENCY / EISA COMPLIANT  
 ROLLED STEEL CONSTRUCTION  
 TOTALLY ENCLOSED FAN COOLED  
 INVERTER RATED (10:1 VT; 5:1 CT)



### DIMENSIONS

| HP  | RPM  | Frame | MOUNTING |   |      |     |      |      |      |      |      |     |     |   |     |    |      |
|-----|------|-------|----------|---|------|-----|------|------|------|------|------|-----|-----|---|-----|----|------|
|     |      |       | A        | B | C    | D   | G    | H    | J    | E    | 2E   | 2F1 | 2F2 | O | P   | T  | BA   |
| 1/2 | 1800 | 56C   | 6.3      | 4 | 10.7 | 3.5 | 0.12 | 0.34 | 0.71 | 2.44 | 4.88 | 3   | NA  | 7 | 6.8 | NA | 2.75 |

| FLANGE |       |     |      |      |      |          | Shaft Extension, Key Set |    |       |       |      |      |  |
|--------|-------|-----|------|------|------|----------|--------------------------|----|-------|-------|------|------|--|
| AH     | AJ    | AK  | BB   | BC   | BD   | BF       | U                        | V  | R     | S     | ES   | N-W  |  |
| 2.06   | 5.875 | 4.5 | 0.16 | 0.19 | 6.46 | 4*3/8-16 | 0.625                    | NA | 0.517 | 0.188 | 1.41 | 1.88 |  |

| Conduit Box |    | Bearings   |            | Mount |
|-------------|----|------------|------------|-------|
| AA          | AB | DE         | ODE        |       |
| 1.1         | 6  | 6203-2RZC3 | 6203-2RZC3 | F1    |

**BEARING LUBRICATION:** The bearings come lubricated with Mobil Polyrex EM Polyurea Grease.



## F56C1/2M4A

**GENERAL PURPOSE ELECTRIC MOTOR**  
**HIGH EFFICIENCY / EISA COMPLIANT**  
**ROLLED STEEL CONSTRUCTION**  
**TOTALLY ENCLOSED FAN COOLED**  
**INVERTER RATED (10:1 VT; 5:1 CT)**

### PERFORMANCE DATA

| HP  | RPM  | Frame | Voltage     | Frequency (Hz) | Full Load S.F. | Insulation Class | NEMA Design | Slip (%) | NEMA Code | Enclosure Type | IP Rating | Max. Ambient |
|-----|------|-------|-------------|----------------|----------------|------------------|-------------|----------|-----------|----------------|-----------|--------------|
| 1/2 | 1740 | 56C   | 208-230/460 | 60             | 1.15           | F                | B           | 3.3      | L         | TEFC           | 55        | 40 °C        |

| Amps (460V) |      | Efficiency (%) |      |      | Power Factor |      |      | Torque (ft-lb) |       |       | DE Bearing | ODE Bearing | Connection  | Weight (lbs.) |
|-------------|------|----------------|------|------|--------------|------|------|----------------|-------|-------|------------|-------------|-------------|---------------|
| FLA         | LRA  | 100%           | 75%  | 50%  | 100%         | 75%  | 50%  | FLT            | LRT % | BDT % |            |             |             |               |
| 0.98        | 4.74 | 74.1           | 71.0 | 66.4 | 0.65         | 0.55 | 0.42 | 1.52           | 225   | 307   | 6203-2RZC3 | 6203-2RZC3  | 9 Lead 2Y/Y | 22            |

### NAME PLATE

| <b>THREE PHASE AC INDUCTION MOTOR</b>                                    |               |             |        |            |            |     |    |              |  |              |
|--------------------------------------------------------------------------|---------------|-------------|--------|------------|------------|-----|----|--------------|--|--------------|
| CAT NO:                                                                  |               | F56C1/2M4A  |        | FRAME      | 56C        | PH  | 3  |              |  | 208-230V<br> |
| HZ                                                                       | 60            | S.F.        | 1.15   | ENCL       | TEFC       | IP  | 55 |              |  |              |
| HP                                                                       | 1/2           | RPM         | 1740   | DUTY       | CONT       | DES | B  |              |  |              |
| VOLT                                                                     |               | 208-230/460 |        | AMB        | 40 °C      | INS | F  |              |  | 460V<br>     |
| FLA                                                                      | 1.9-1.96/0.98 |             | DE BRG | 6203-2RZC3 |            |     |    |              |  |              |
| CODE                                                                     | L             | P.F.        | 0.65   | ODE BRG    | 6203-2RZC3 |     |    |              |  |              |
| EFF                                                                      | 74.1          | MIN         | 52.1   | LBS        | 22         |     |    |              |  |              |
| CONNECTION                                                               |               | 9 Lead 2Y/Y |        | SER NO.    |            |     |    |              |  |              |
| Hernando, MS<br><a href="http://www.naemotors.com">www.naemotors.com</a> |               |             |        |            |            |     |    | <br>C 601196 |  |              |

### APPLICATIONS:

General purpose use on pumps, fans, blowers, compressors, conveyors, material handling and other industrial machinery installed in damp, dusty or dirty environments.